

## 20S SERIES - 2 HP

### APPLICATIONS

Sewage and effluent wastewater transfer, dewatering

### FEATURES

- Permanent Split Capacitor (PSC)
- Designed for continuous duty
- Capacitor and power cord connections are isolated from oil-filled motor housing for ease of field maintenance
- 3" FNPT (76.2 mm) discharge
- Handles solids up to 2" (51 mm) diameter
- 140 °F (60 °C) liquid temperature rating
- cCSAus listed



### SERIES SPECIFICATIONS

Volts	Hz	Amps		Watts	Gallons per minute (Liters per minute) @ Height				Shut-Off	PSI
		FLA	Start		10'	20'	30'	40'		
200-208*	60	14.5	32.0	2769	205 (776)	168 (636)	140 (530)	120 (454)	77' (23.5 m)	33.3
208-230	60	18	31.0	4118	205 (776)	168 (636)	140 (530)	120 (454)	77' (23.5 m)	33.3
230*	60	12.6	35.0	2686	205 (776)	168 (636)	140 (530)	120 (454)	77' (23.5 m)	33.3
460*	60	6.1	17.5	2771	205 (776)	168 (636)	140 (530)	120 (454)	77' (23.5 m)	33.3

\*3-phase

Item No.	Model	HP	Volts	Phase	Switch Type / Operation	Cord	Weight lbs (Kg)
520125	20S-CIM	2	200-208	3**	Manual	20' (6.1 m)	96 (43.54 Kg)
520100	20S-CIM	2	208-230	1	Manual	20' (6.1 m)	96 (43.54 Kg)
520150	20S-CIM	2	230	3**	Manual	20' (6.1 m)	96 (43.54 Kg)
520175	20S-CIM	2	460	3**	Manual	20' (6.1 m)	96 (43.54 Kg)

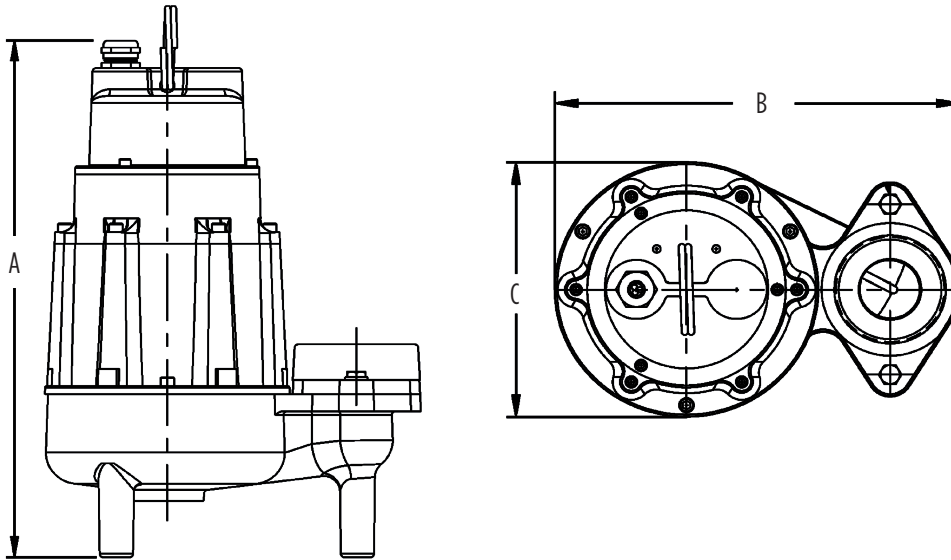
\*\* Three-phase pumps must have a three-phase control panel for automatic or manual operation



# SEWAGE PUMPS

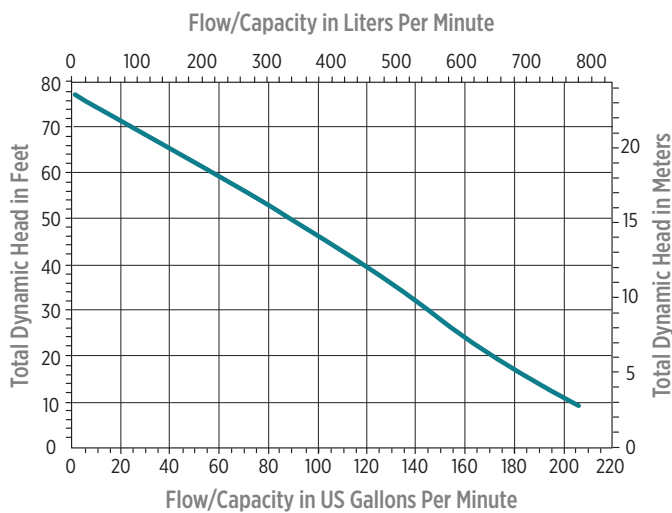
## 20S SERIES - 2 HP

### ENGINEERING DATA



A	B	C
18.4" (46.74 cm)	13" (33.02 cm)	8.4" (21.34 cm)

### PERFORMANCE DATA



### CONSTRUCTION

<b>Cover</b>	Epoxy-coated cast iron
<b>Motor Housing</b>	Epoxy-coated cast iron
<b>Impeller Material</b>	Red brass
<b>Impeller Type</b>	Vortex
<b>Volute</b>	Epoxy-coated cast iron
<b>Mechanical Shaft Seal</b>	Carbon/ceramic
<b>Fasteners</b>	Stainless steel
<b>Shaft</b>	Stainless steel
<b>Bearings</b>	Upper and lower ball bearings
<b>Power Cord (Stripped Leads)</b>	14/3, SOW (1-phase); 14/4, SOW (3-phase)