

Wet Rotor Pumps



FP-Series

Our wet rotor water feature pumps are energy-efficient and ideal for powering water features and pond filtration systems with flow requirements from 1,000 gph to 8,100 gph. These pumps are rated for continuous duty to operate in the most rigorous applications.

- Fitting adapters included
- Use with a screen or skimmer recommended
- Energy efficient
- Can be used external or submerged



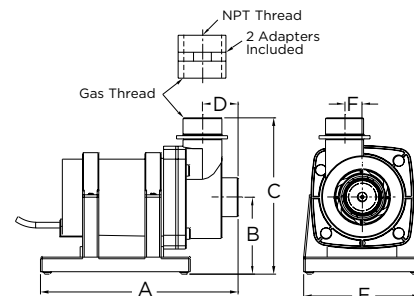
FP1



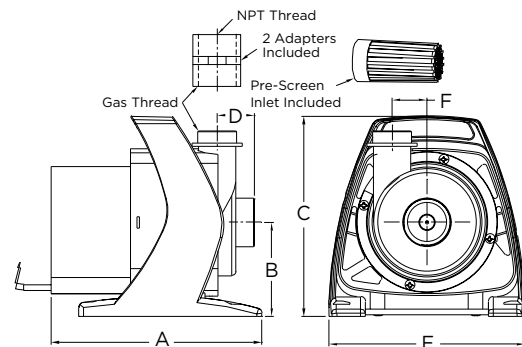
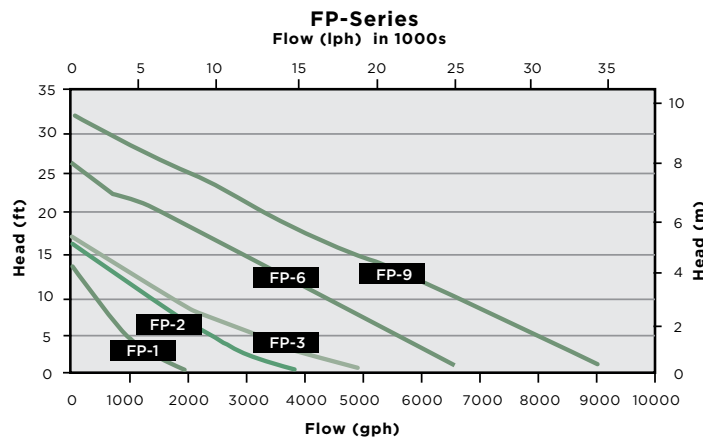
FP9

| FP-SERIES | Item Number | Amps | Watts | Cord (ft) | Submerged Use | Inline Use | Discharge FNPT | Gallons Per Hour (GPH) at height | | | | | Shut Off (ft) |
|-----------|-------------|------|-------|-----------|---------------|------------|----------------|----------------------------------|------|------|------|------|---------------|
| | | | | | | | | 5' | 10' | 15' | 20' | 25' | |
| FP1 | 566132 | 0.9 | 106 | 26 | ✓ | ✓ | 1-1/4" | 1000 | 390 | - | - | - | 14 |
| FP2 | 566133 | 1.45 | 167 | 26 | ✓ | ✓ | 1-1/2" | 2220 | 1210 | 400 | - | - | 16 |
| FP3 | 566134 | 1.85 | 226 | 26 | ✓ | ✓ | 2" | 3200 | 1640 | 690 | - | - | 17 |
| FP6 | 566135 | 4.6 | 557 | 26 | ✓ | ✓ | 1-1/2" | 5760 | 4380 | 3000 | 1730 | 350 | 27 |
| FP9 | 566137 | 6.5 | 730 | 26 | ✓ | ✓ | 2" | 8100 | 6580 | 4860 | 3290 | 1930 | 31 |

| DIMENSIONS (INCHES) | A | B | C | D | E | F |
|---------------------|------|-----|-----|-----|-----|------|
| FP1 | 9.2 | 3.8 | 7.7 | 1.6 | 5.7 | 1.0 |
| FP2 | 9.5 | 3.8 | 7.7 | 1.7 | 5.7 | 0.85 |
| FP3 | 10.3 | 3.8 | 7.8 | 2.1 | 5.7 | 1.0 |
| FP6 | 10.0 | 4.4 | 9.6 | 1.8 | 9.5 | 1.7 |
| FP9 | 10.0 | 4.4 | 9.6 | 2.1 | 9.5 | 1.7 |



FP1, FP2, FP3



FP6, FP9

Little GIANT®

Outdoor Living

HOTLINE 888.956.0000

lg-outdoor.com

