

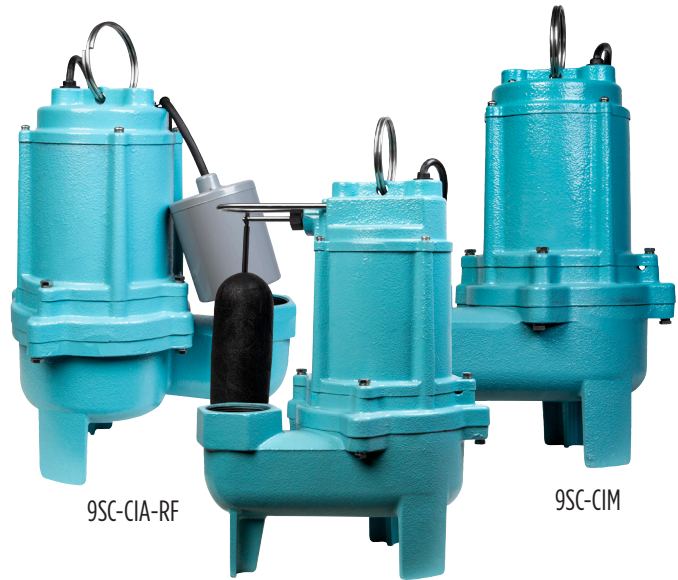
9SC SERIES - 4/10 HP

APPLICATIONS

Sewage and effluent wastewater transfer, dewatering

FEATURES

- Permanent Split Capacitor (PSC)
- Energy-saving low amp draw
- Designed for continuous duty
- 2" FNPT (51 mm) discharge
- Handles solids up to 2" (51 mm) diameter
- Multiple switch options for automatic operation
- 140 °F (60 °C) liquid temperature rating
- cCSAus listed



9SC-CIA-RF

9SC-CIM

9SC-CIA-SFS



SERIES SPECIFICATIONS

Model	HP	Volts	Hz	Amps		Watts	Max. Water Temp.	Gallon per minute (Liters per minute) @ Height			Shut-Off	PSI / Bar
				FLA	Start			5'	10'	15'		
9SC	4/10	115	60	8	18.5	870	140 °F (60 °C)	100 (379)	80 (303)	60 (227)	20' (6.1 m)	8.7 / 0.60

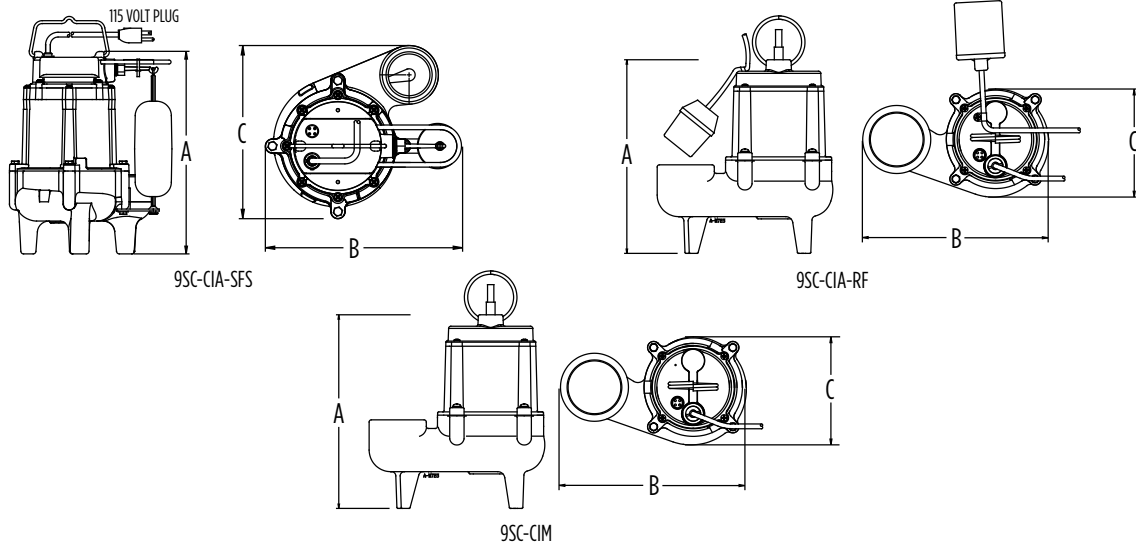
Item No.	Model	HP	Volts	Discharge	Switch Type / Operation	On Level	Off Level	Cord	Weight lbs (Kg)
509411	9SC-CIA-SFS	4/10	115	2"	Integral Snap-Action Float	10" - 13" (25 cm - 33 cm)	5" - 8" (13 cm - 20 cm)	20' (6.1 m)	38.5 (17.5 Kg)
509412	9SC-CIA-RF	4/10	115	2"	Piggyback Mechanical Float	16" - 19" (41 cm - 48 cm)	9" - 11" (23 cm - 28 cm)	20' (6.1 m)	38.4 (17.4 Kg)
509413	9SC-CIM	4/10	115	2"	Manual	-	-	20' (6.1 m)	36 (16.3 Kg)



SEWAGE PUMPS

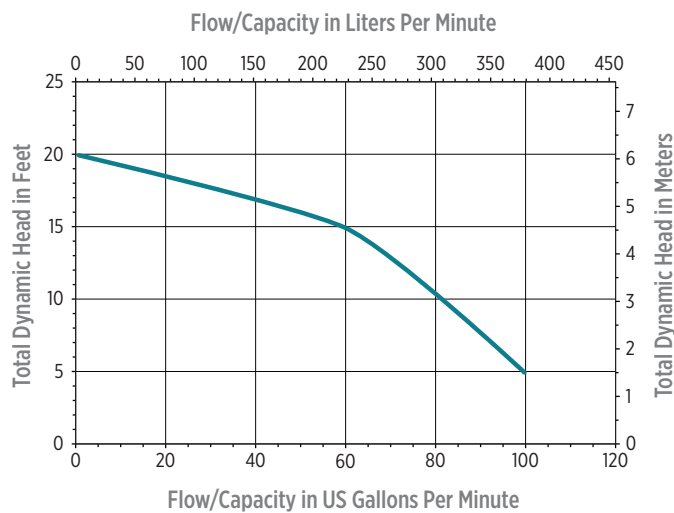
9SC SERIES - 4/10 HP

ENGINEERING DATA



Model	A	B	C
9SC-CIA-SFS	14.4" (36.6 cm)	10.7" (27.3 cm)	8.6" (21.9 cm)
9SC-CIA-RF	13.6" (34.6 cm)	10.4" (26.4 cm)	8.6" (21.9 cm)
9SC-CIM	13.6" (34.6 cm)	10.4" (26.4 cm)	8.6" (21.9 cm)

PERFORMANCE DATA



CONSTRUCTION

Cover	Epoxy-coated cast iron/ *Thermoplastic
Motor Housing	Epoxy-coated cast iron
Impeller Material	Nylon
Impeller Type	Vortex
Volute	Epoxy-coated cast iron
Mechanical Shaft Seal	Nitrile with carbon and ceramic faces
Fasteners	Stainless steel
Shaft	Steel
Bearings	Upper and lower ball bearings
Power Cord	SJTW

* On SFS models