

## 10SC SERIES - 1/2 HP

### APPLICATIONS

Sewage and effluent wastewater transfer, dewatering

### FEATURES

- Permanent Split Capacitor (PSC)
- Energy-saving low amp draw
- Designed for continuous duty
- 2" FNPT (51 mm) and 3" FNPT (76.2 mm) discharge models
- Handles solids up to 2" (51 mm) diameter
- Multiple switch options for automatic operation
- 140 °F (60 °C) liquid temperature rating
- cCSAus listed



### SERIES SPECIFICATIONS

Model	HP	Volts	Hz	Amps		Watts	Max. Water Temp.	Gallons per minute (Liters per minute) @ Height				Shut-Off	PSI / Bar
				FLA	Start			5'	10'	15'	20'		
10SC (2" Discharge)	1/2	115	60	11	18.5	1230	140 °F (60 °C)	120 (454)	100 (379)	80 (303)	44 (167)	25' (7.6 m)	10.8 / 0.75
	1/2	208-230	50/60	5.5/5.5	13/13	991/1214	140 °F (60 °C)	120 (454)	100 (379)	80 (303)	44 (167)	25' (7.6 m)	10.8 / 0.75
10SC (3" Discharge)	1/2	115	60	11.5	18.5	1270	140 °F (60 °C)	130 (492)	110 (416)	85 (322)	46 (174)	25' (7.6 m)	10.8 / 0.75
	1/2	208-230	50/60	5.5/5.5	13/13	1004/1228	140 °F (60 °C)	120 (454)	100 (379)	80 (303)	44 (167)	25' (7.6 m)	10.8 / 0.75

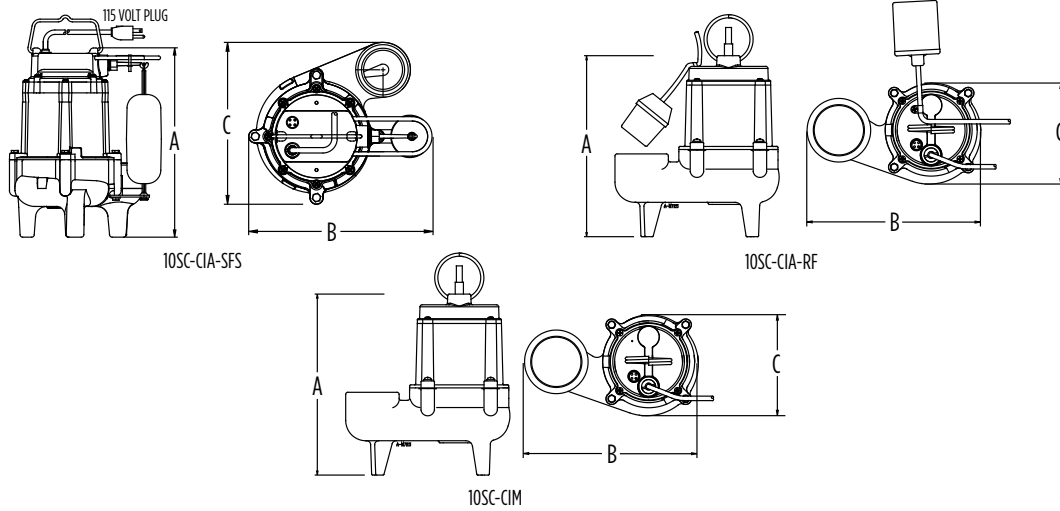
Item No.	Model	HP	Volts	Discharge	Switch Type / Operation	On Level	Off Level	Cord	Weight lbs (Kg)
511431	10SC-CIA-SFS	1/2	115	2"	Integral Snap-Action Float	11" - 14" (28 cm - 36 cm)	6" - 9" (15 cm - 23 cm)	20' (6.1 m)	37.5 (17.5 Kg)
511433	10SC-CIA-RF	1/2	115	2"	Piggyback Mechanical Float	16" - 19" (41 cm - 48 cm)	9" - 11" (23 cm - 28 cm)	20' (6.1 m)	36.5 (16.56 Kg)
511432	10SC-CIM	1/2	115	2"	Manual	-	-	20' (6.1 m)	35.5 (16.1 Kg)
511434	10SC-CIM	1/2	115	2"	Manual	-	-	50' (15.2 m)	42.7 (19.4 Kg)
511437	10SC-CIA-RF	1/2	115	3"	Piggyback Mechanical Float	16" - 19" (41 cm - 48 cm)	9" - 11" (23 cm - 28 cm)	20' (6.1 m)	37.5 (17.5 Kg)
511435	10SC-CIM	1/2	115	3"	Manual	-	-	20' (6.1 m)	36.5 (16.56 Kg)
511438	10SC-CIM	1/2	208-230	2"	Manual	-	-	20' (6.1 m)	37.5 (17.5 Kg)
511436	10SC-CIM	1/2	208-230	3"	Manual	-	-	20' (6.1 m)	36.5 (16.56 Kg)



# SEWAGE PUMPS

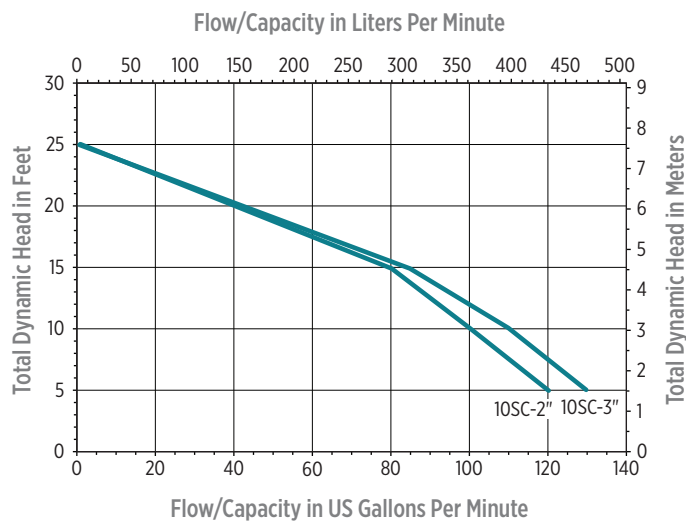
## 10SC SERIES - 1/2 HP

### ENGINEERING DATA



Model	A	B	C
10SC-CIA-SFS	14.8" (37.7 cm)	10.7" (27.3 cm)	8.6" (21.9 cm)
10SC-CIA-RF (2" Discharge)	14.0" (35.6 cm)	10.4" (26.4 cm)	8.6" (21.9 cm)
10SC-CIA-RF (3" Discharge)	14.0" (35.6 cm)	11.7" (29.8 cm)	9.5" (24.2 cm)
10SC-CIM (2" Discharge)	14.0" (35.6 cm)	10.4" (26.4 cm)	8.6" (21.9 cm)
10SC-CIM (3" Discharge)	14.0" (35.6 cm)	11.72" (29.76 cm)	9.5" (24.2 cm)

### PERFORMANCE DATA



### CONSTRUCTION

<b>Cover</b>	Epoxy-coated cast iron/ *Thermoplastic
<b>Motor Housing</b>	Epoxy-coated cast iron
<b>Impeller Material</b>	Thermoplastic elastomer
<b>Impeller Type</b>	Vortex
<b>Volute</b>	Epoxy-coated cast iron
<b>Mechanical Shaft Seal</b>	Nitrile with carbon and ceramic faces
<b>Fasteners</b>	Stainless steel
<b>Shaft</b>	Steel
<b>Bearings</b>	Upper and lower ball bearings
<b>Power Cord</b>	SJTW **SJTOW

\* On SFS models

\*\* On 30" 10SC-CIA-RF and 10SC-CIM models