

**ENERGYRITE®
VENTING OPTIONS**

Submittal Sheet



Lochinvar®

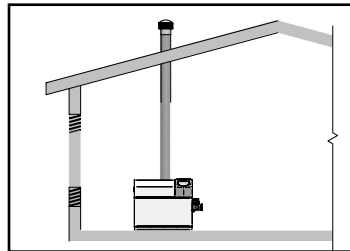
MODELS ER 152-402

ERVO-Sub-03

Job Name: _____ Location: _____ Model #: _____ Vent Configuration: _____
 Engineer: _____ Contractor: _____ Agent/Wholesaler: _____ Equipment Tag(s): _____

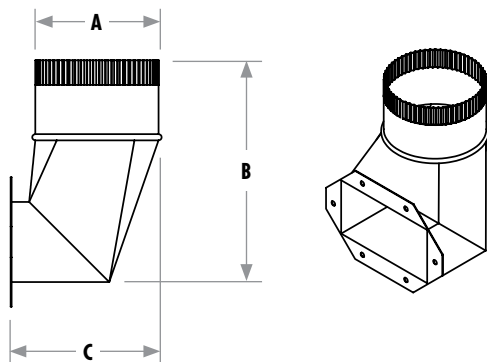
JOB NOTES:

CONVENTIONAL VENTING



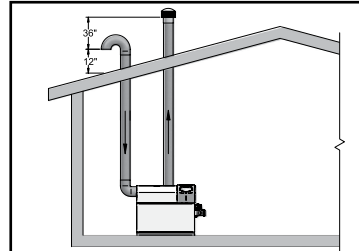
Lochinvar supplies the flue adapter and air inlet cover. Contractor to supply Type "B" vent pipe material, exhaust vent cap on heater flue and air inlet pipe.

NOTE: Flue Adapter supplied with all indoor vent kits.

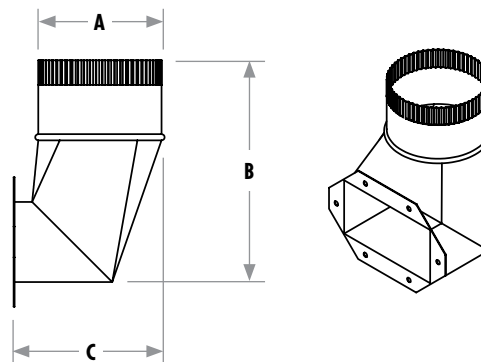


KIT NO.	MODEL	A	B	C
100140481	152-202	5"	9"	6"
100140482	252	6"	9"	7"
100140483	302-402	6"	9"	7"

DIRECTAIRE VERTICAL VENTING w/ROOFTOP INLET

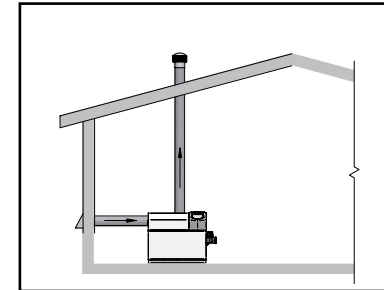


Lochinvar supplies the flue adapter and air inlet collar. Contractor to supply Type "B" vent pipe material, exhaust vent cap on heater flue and air inlet pipe. Maximum length 50 equivalent feet each.

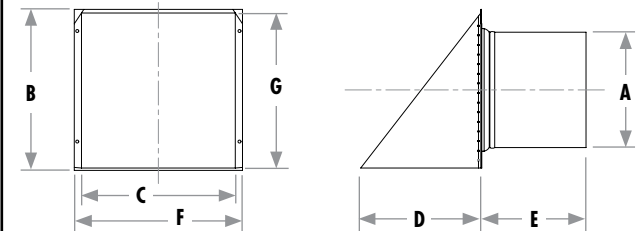


KIT NO.	MODEL	A	B	C
100172053	152-202	5"	9"	6"
100172054	252	6"	9"	7"
100172055	302-402	6"	9"	7"

DIRECTAIRE VERTICAL VENTING w/SIDEWALL INLET



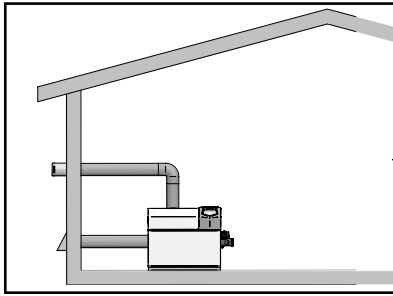
Lochinvar supplies the flue adapter, air inlet collar and sidewall air inlet cap. Contractor to supply Type "B" vent pipe material, exhaust vent cap on heater flue and air inlet pipe. Maximum length 50 equivalent feet.



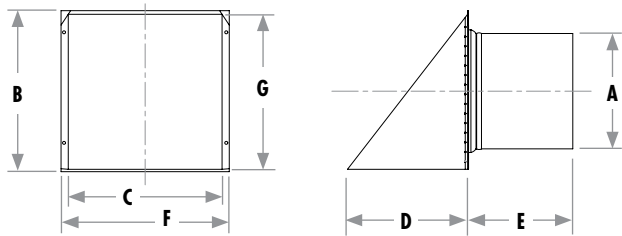
KIT NO.	ITEM NO.	FOR MODEL
100172050	1	152-202
100172051	2	252
100172052	3	302-402

ITEM	A	B	C	D	E	F	G
1	4"	9-1/8"	6-7/8"	3-1/2"	2-1/2"	7-1/8"	9-3/16"
2	5"	9"	8"	4"	2-1/2"	9"	8-1/2"
3	5"	9"	8"	4"	2-1/2"	9"	8-1/2"

E-RITE SIDEWALL VENTING

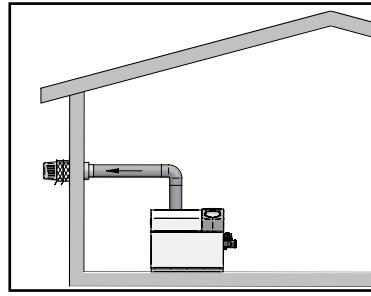


Lochinvar supplies the flue transition box, inlet air collar, and sidewall air inlet cap. Contractor to supply air inlet, pipe, and AL29-4C stainless steel flue exhaust and vent terminations. Maximum vent length is 20 equivalent feet.

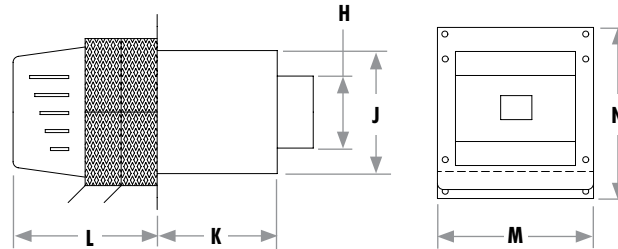


KIT NO.	MODEL	A	B	C	D	E	F	G
100147165	152-202	4"	9-1/8"	6-7/8"	3-1/2"	2-1/2"	7-1/8"	9-3/16"
100147166	252	5"	9"	8"	4"	2-1/2"	9"	8-1/2"
100147167	302	5"	9"	8"	4"	2-1/2"	9"	8-1/2"
100147168	402	5"	9"	8"	4"	2-1/2"	9"	8-1/2"

POWERED SIDEWALL VENTING

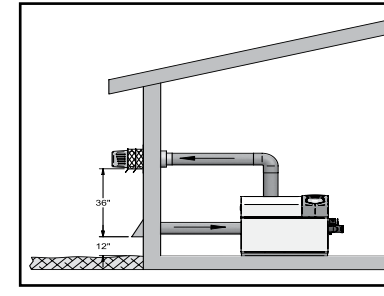


Lochinvar supplies the flue Adapter, inlet air cover, barometric damper, powered vent cap and proving switch. Contractor to supply Type "B" vent pipe material from heater to vent outlet. 120 VAC required to operate vent cap. Maximum vent length 75 equivalent feet.

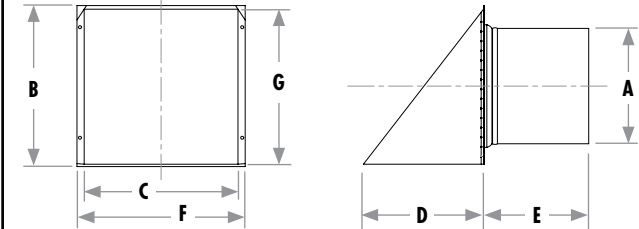


KIT NO.	MODEL	H	J	K	L	M	N	AMPS
100169238	152-202	4"	6"	9-1/4"	9-1/2"	9"	9"	1.7
100169239	252	5"	7"	9-1/4"	10-3/4"	12"	12"-1/8	1.3
100169240	302	5"	7"	9-1/4"	10-3/4"	12"	12"-1/8	1.3
100169241	402	6"	8"	9-1/4"	10-3/4"	12"	12"-1/8	2.1

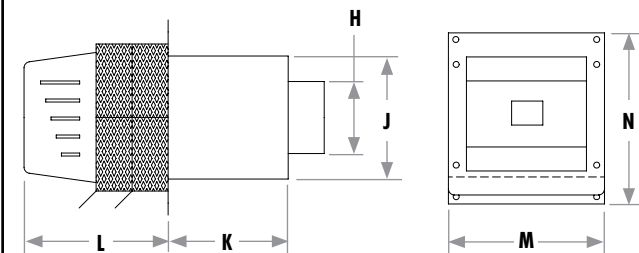
POWERED DIRECTAIRE HORIZONTAL VENTING



Lochinvar supplies the flue Adapter, inlet air collar, powered vent cap, barometric damper proving switch, and sidewall air inlet cap. Contractor to supply Type "B" vent pipe material from heater to vent outlet and single wall air inlet pipe. 120 VAC required to operate vent cap. Maximum vent length 75 equivalent feet.



KIT NO.	MODEL	A	B	C	D	E	F	G
100169242	152-202	4"	9-1/8"	6-7/8"	3-1/2"	2-1/2"	7-1/8"	9-3/16"
100169243	252	5"	9"	8"	4"	2-1/2"	9"	8-1/2"
100169244	302	5"	9"	8"	4"	2-1/2"	9"	8-1/2"
100169245	402	5"	9"	8"	4"	2-1/2"	9"	8-1/2"



KIT NO.	MODEL	H	J	K	L	M	N	AMPS
100169242	152-202	4"	6"	9-1/4"	9-1/2"	9"	9"	1.7
100169243	252	5"	7"	9-1/4"	10-3/4"	12"	12"-1/8	1.3
100169244	302	5"	7"	9-1/4"	10-3/4"	12"	12"-1/8	1.3
100169245	402	6"	8"	9-1/4"	10-3/4"	12"	12"-1/8	2.1



Lochinvar, LLC
300 Maddox Simpson Parkway
Lebanon, Tennessee 37090
P: 615.889.8900 / F: 615.547.1000
Lochinvar.com