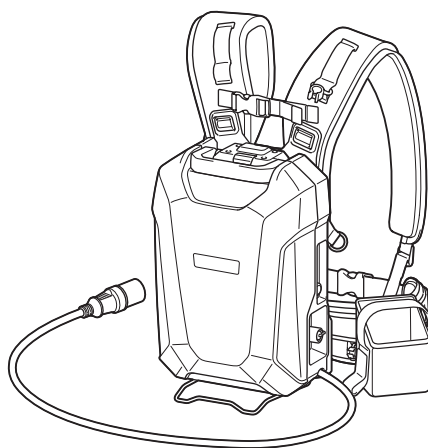


INSTRUCTION MANUAL
MANUEL D'INSTRUCTION
MANUAL DE INSTRUCCIONES



Portable Power Pack Support d'alimentation portable Unidad Portátil de Alimentación Eléctrica

PDC1200



IMPORTANT: Read Before Using.

IMPORTANT : Lire avant usage.

IMPORTANTE: Lea antes de usar.

SPECIFICATIONS

Model:		PDC1200
Dimensions (L x W x H)		369 mm x 261 mm x 139 mm (14-1/2" x 10-1/4" x 5-1/2") *1
Rated voltage		D.C. 36 V - 40 V max
Battery capacity		33.5 Ah
Battery type		Rechargeable Lithium-ion
Charging time		360 minutes
Net weight	Battery	8.8 kg (19.4 lbs) *1
	Shoulder harness assembly	1.6 kg (3.5 lbs) *2

*1. Without shoulder harness assembly, adapters, and charger.

*2. Without adapter pocket

Applicable charger

- DC4001

⚠ WARNING: Only use the charger listed above. Use of any other chargers may cause injury and/or fire.

Intended use

The portable power pack is suitable for long working hours, since it enables the battery and the tool or machine to be separated.

This unit can be used with the following tools or machines.

- 36 V (18 V x 2) battery-powered tool or machine
- 36 V - 40 Vmax battery-powered tool or machine
- Battery-powered tool or machine (direct connection to portable power pack)

About this instruction manual

The term "unit" in this instruction manual refers to portable power pack. The portable power pack consists of the battery and shoulder harness assembly.

Compatible tool or machine category

- Cordless Chain Saw *1
- Cordless Pole Saw
- Cordless Blower
- Cordless Grass Trimmer
- Cordless Multi Function Power Head
- Cordless Hedge Trimmer
- Cordless Angle Grinder
- Cordless Rotary Hammer *2
- Cordless Earth Auger
- Cordless Lawn Mower (only for connector type)
- USB Adapter

*1. Except for top handle chain saw (DUC252 / DUC302 / DUC352 / DUC256 / DUC306 / DUC356 / DUC406 / DUC256C / XCU02 / XCU08 / XCU09)

*2. Except for DHR280 / DHR281 / DHR282 / DHR283 / XRH08 / XRH10 / XRH11

The compatible category of tool or machine is subject to change without notice. Refer to the latest instruction manual for the information on the compatible category of tool or machine.

⚠ WARNING: Never use this unit with tools or machines categorized below. Using this unit with non-compatible tools or machines may cause personal injury or malfunction.

- Cordless Garden Sprayer, Battery Powered Pruning Shears, Battery Powered Wheelbarrow, Motor-Assisted Bicycle, Cordless Backpack Vacuum Cleaner, Robotic Cleaner, Cordless Fan Jacket, Cordless Heated Jacket

NOTICE: If you use the nylon cord when you use the unit with the following models, be sure to use the tool in the following combination:

Model	DUR364L / DUR365U / DUR366L / DUR368A / DUR368L / DUX60 / XRU07 / XRU14 / XRU09 / XRU15 / XUX01
Cutting tool and cutting diameter	Nylon cutting head with cutting diameter of 350 mm (13-3/4")
Nylon cord diameter	2.0 mm (0.08")

*. The nylon cutting head is not available depending on the region of your residence.

NOTE:
For DUB362 / XBU02

In a high temperature environment, the machine may stop during operation due to the protection system of the machine.

SAFETY WARNINGS

Portable power pack safety warnings

⚠WARNING: Read all safety warnings and instructions. Failure to follow the warnings and instructions may result in electric shock, fire and/or serious injury.

1. Be sure to read the instruction manual of the tool or machine before use.
2. Do not pick up or carry this unit by holding only the cord. Do not pull the cord while you are wearing or using this unit.
3. Before wearing or putting off the unit, remove the socket from the tool or machine.
4. When you leave the tool or machine, be sure to remove the socket from the tool or machine, or remove the unit from your body.
5. Be careful not to trip over the cord during operation.
6. Do not use this unit on an unstable surface, or unstable high places.
7. During operation, keep the cord away from obstacles. The cord caught by obstacles may cause serious injury.
8. Do not insert the adapters into the charger.
9. Inspect the unit including cords and harness before use. If they are damaged, ask your local Makita Authorized Service Center for repair.
10. When attaching the cord to the cord holder, be sure to attach it slowly and securely.
11. Always make sure that the tool or machine is switched off and the socket is removed before attempting to perform inspection or maintenance of the tool or machine.
12. When using this unit with a tool equipped with a blade, be sure to keep the cord away from the blade.
13. When wearing the unit, do not put on anything, such as safety harness or shoulder belt, which may interfere the emergency detachment function of the unit.
14. Do not use this unit while you are climbing up in a tree.
15. Do not use this unit when you are wearing cordless fan jacket or cordless heated jacket.
16. Do not expose this unit to sparks.
17. When using this unit without wearing it or installing the unit to the tool or machine, be sure to lay down the unit.
18. Do not disassemble, repair, or modify the unit.
19. Be careful not to entangle the harness or belt by the tool or machine.
20. When using the unit, be careful not to cut the cords with the tool or machine.
21. When you stand the unit upright using the battery stand, be sure to place the unit on the flat surface.
22. Keep foreign objects such as metal chips and water away from the plug of the unit.
23. Do not use the tool or machine near high-voltage power lines.
24. Use the charger dedicated to the unit only. Do not use other chargers.
25. Do not damage the case of the battery or place anything on the unit.
26. Do not step on the unit or sit on the unit.
27. Do not carry the unit by holding the battery stand or width adjustment belt.
28. Store the unit indoors.
29. Do not put or fix anything between the battery and battery stand.
30. Do not hang anything from the battery stand.

Battery tool use and care

1. Prevent unintentional starting. Ensure the switch is in the off-position before connecting to battery pack, picking up or carrying the tool or machine. Carrying the tool or machine with your finger on the switch or energizing tool or machine that have the switch on invites accidents.
2. Disconnect the battery pack from the tool or machine before making any adjustments, changing accessories, or storing tool or machine. Such preventive safety measures reduce the risk of starting the tool or machine accidentally.
3. Recharge only with the charger specified by the manufacturer. A charger that is suitable for one type of battery pack may create a risk of fire when used with another battery pack.
4. Use tools or machines only with specifically designated battery packs. Use of any other battery packs may create a risk of injury and fire.
5. When battery pack is not in use, keep it away from other metal objects, like paper clips, coins, keys, nails, screws or other small metal objects, that can make a connection from one terminal to another. Shorting the battery terminals together may cause burns or a fire.
6. Under abusive conditions, liquid may be ejected from the battery; avoid contact. If contact accidentally occurs, flush with water. If liquid contacts eyes, seek medical help. Liquid ejected from the battery may cause irritation or burns.
7. Do not use a battery pack, tool, or machine that is damaged or modified. Damaged or modified batteries may exhibit unpredictable behaviour resulting in fire, explosion or risk of injury.
8. Do not expose a battery pack, tool, or machine to fire or excessive temperature. Exposure to fire or temperature above 130°C (265°F) may cause explosion.
9. Follow all charging instructions and do not charge the battery pack, tool, or machine outside of the temperature range specified in the instructions. Charging improperly or at temperatures outside of the specified range may damage the battery and increase the risk of fire.


10. **Have servicing performed by a qualified repair person using only identical replacement parts.** This will ensure that the safety of the product is maintained.
11. **Do not modify or attempt to repair the tool or machine, or the battery pack except as indicated in the instructions for use and care.**

Electrical and battery safety

1. **Do not dispose of the battery(ies) in a fire.** The cell may explode. Check with local codes for possible special disposal instructions.
2. **Do not open or mutilate the battery(ies).** Released electrolyte is corrosive and may cause damage to the eyes or skin. It may be toxic if swallowed.
3. **Do not charge battery in rain, or in wet locations.**
4. **Do not charge the battery outdoors.**
5. **Do not handle charger, including charger plug, and charger terminals with wet hands.**

Symbols

The followings show the symbols used for unit.

V	volts
	direct current
Wh	watt-hour

Important safety instructions for battery

1. **Before using battery, read all instructions and cautionary markings on (1) battery charger, (2) battery, and (3) product using battery.**
2. **Do not disassemble battery.**
3. **If operating time has become excessively shorter, stop operating immediately.** It may result in a risk of overheating, possible burns and even an explosion.
4. **If electrolyte gets into your eyes, rinse them out with clear water and seek medical attention right away.** It may result in loss of your eyesight.
5. **Do not short the battery:**
 - (1) **Do not touch the terminals with any conductive material.**
 - (2) **Avoid storing battery in a container with other metal objects such as nails, coins, etc.**
 - (3) **Do not expose battery to water or rain.** A battery short can cause a large current flow, overheating, possible burns and even a breakdown.
6. **Do not store and use the tool/machine and battery in locations where the temperature may reach or exceed 50 °C (122 °F).**

7. **Do not incinerate the battery even if it is severely damaged or is completely worn out. The battery can explode in a fire.**
8. **Be careful not to drop or strike battery.**
9. **Do not use a damaged battery.**
10. **The contained lithium-ion batteries are subject to the Dangerous Goods Legislation requirements.** For commercial transports e.g. by third parties, forwarding agents, special requirement on packaging and labeling must be observed. For preparation of the item being shipped, consulting an expert for hazardous material is required. Please also observe possibly more detailed national regulations. Tape or mask off open contacts and pack up the battery in such a manner that it cannot move around in the packaging.
11. **When disposing the battery, remove it from the tool and dispose of it in a safe place. Follow your local regulations relating to disposal of battery.**
12. **Use the battery only with the products specified by Makita.** Installing the battery to non-compliant products may result in a fire, excessive heat, explosion, or leak of electrolyte.
13. **If the tool/machine is not used for a long period of time, the battery must be removed from the tool.**
14. **Keep the battery away from children.**

SAVE THESE INSTRUCTIONS.

⚠ CAUTION: Only use genuine Makita batteries. Use of non-genuine Makita batteries, or batteries that have been altered, may result in the battery bursting causing fires, personal injury and damage. It will also void the Makita warranty for the Makita tool and charger.

Tips for maintaining maximum battery life

1. **Charge the battery before completely discharged. Always stop tool/machine operation and charge the battery when you notice less tool power.**
2. **Never recharge a fully charged battery. Overcharging shortens the battery service life.**
3. **Charge the battery with room temperature at 10 °C - 40 °C (50 °F - 104 °F). Let a hot battery cool down before charging it.**
4. **Charge the battery if you do not use it for a long period (more than six months).**

PARTS DESCRIPTION

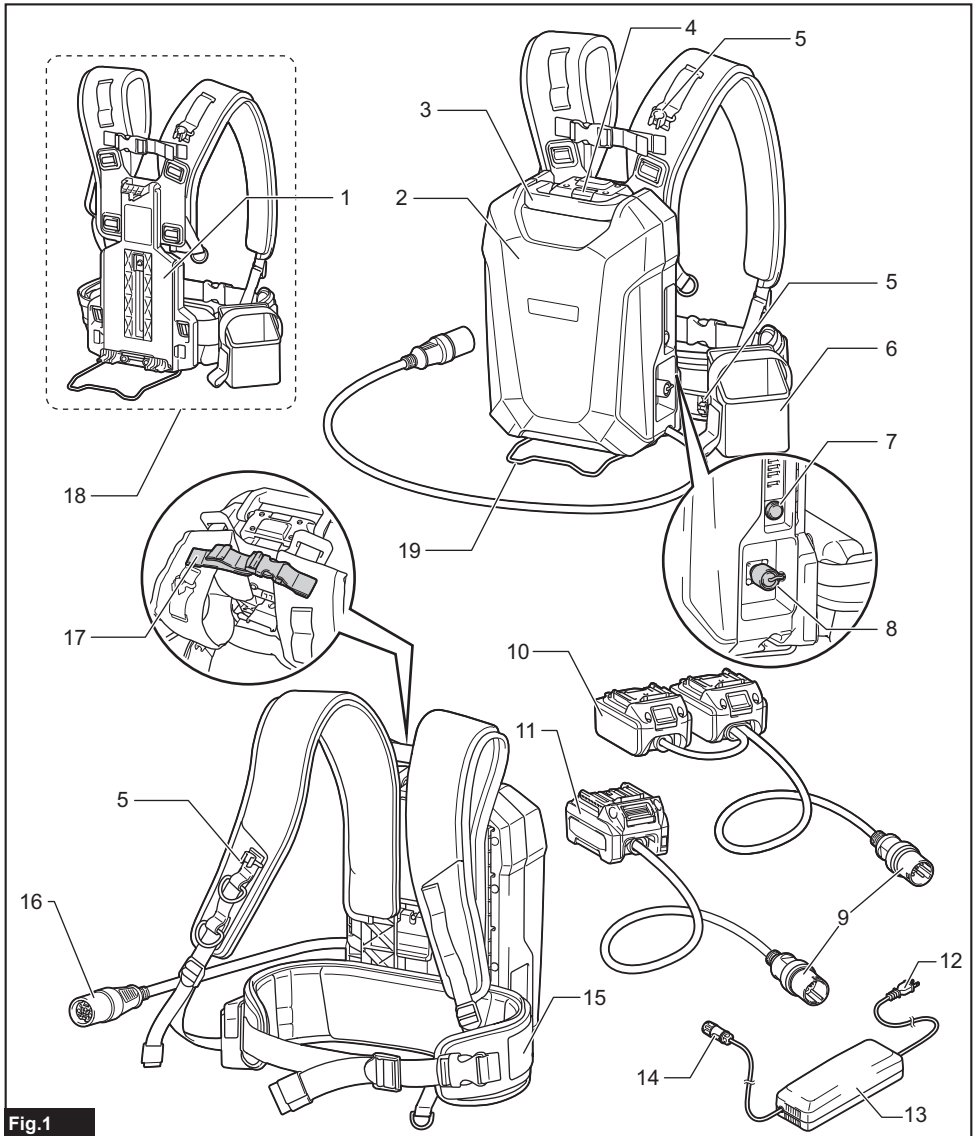


Fig.1

1	Base plate	2	Battery	3	Handle	4	Lock button
5	Cord holder	6	Adapter pocket	7	Power button	8	Plug of battery
9	Plug of adapter	10	Adapters for 36 V (18 V x 2) (optional accessory)	11	Adapter for 36 V - 40 V max (optional accessory)	12	Power plug of battery charger
13	Battery charger (optional accessory)	14	Socket of battery charger	15	Waist belt	16	Socket
17	Width adjustment belt	18	Shoulder harness assembly (optional accessory)	19	Battery stand	-	-

FUNCTIONAL DESCRIPTION

CAUTION: Always be sure that the unit is switched off before adjusting or checking function on the unit.

Charging the unit

CAUTION: After charging is complete, be sure to remove the power plug of the battery charger from the AC voltage source, and remove the socket of the battery charger and attach the cap of the battery.

NOTICE: The battery charger is intended for charging MAKITA portable power pack only. Never use it for other purposes or for other manufacturer's batteries.

NOTICE: When the battery charger is connected to the unit, the tool or machine does not start. In this case, remove the battery charger from the unit.

NOTICE: If the temperature of the battery becomes low or high during charging, the charging may stop. In this case, wait until the battery becomes ordinary temperature by warming up or cooling down the battery, and then restart the charging.

1. Remove the cap of the battery by turning it.

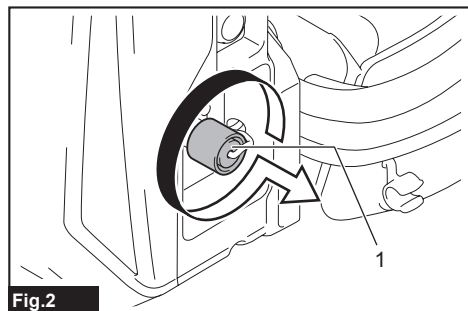


Fig.2

1. Cap

2. Align the protrusion on the socket of the battery charger with the counterpart on the plug of the unit, and then attach the socket to the plug by turning the socket.

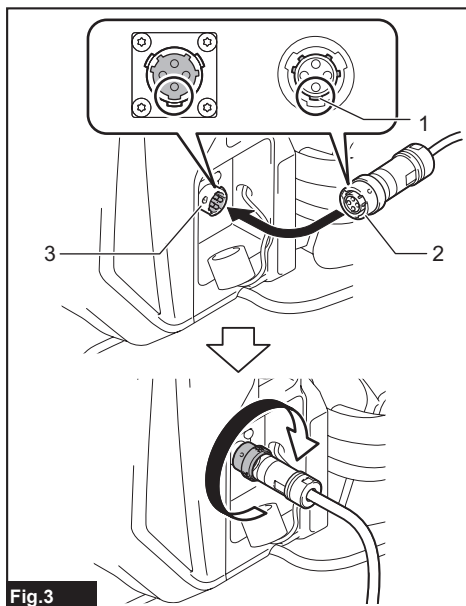


Fig.3

1. Protrusion 2. Socket 3. Plug

3. Plug the power plug of the battery charger into the proper AC voltage source.

4. After the charging is complete, remove the socket of the battery charger, and then attach the cap of the battery.

During charging, the main power lamp lights up in red and the indicator lamps indicate the remaining battery capacity. When the charging is complete, the main power lamp and indicator lamps go off.

Main power lamp	Indicator lamps			Remaining capacity
	Lighted	Off	Blinking	
■	■ ■ ■ ■	□	▧	Charging (75% to 100%)
■	■ ■ ▧	□	□	Charging (50% to 75%)
■	■ ▧	□ □	□	Charging (25% to 50%)
■	▧	□ □ □	□	Charging (0% to 25%)

Power button and battery indicator

CAUTION: Make sure that the tool or machine is turned off before turning on the unit. Otherwise, the tool or machine may start suddenly and cause an injury.

NOTE: If you turn on the tool or machine right after you turn on the unit, the tool or machine may not start. In this case, restart the tool or machine again.

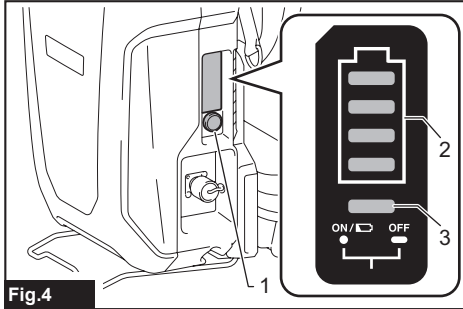


Fig.4

- 1. Power button 2. Indicator lamp 3. Main power lamp

To turn the power on, press the power button. The main power lamp lights up in green. To turn the power off, press the power button for a few seconds.

NOTE: If the unit and connected tool or machine are left unattended for 8 hours, the unit automatically turns off.

The main power lamp blinks in green under the following conditions:

- The plug of the adapter or power tool/machine is not connected to the socket of the unit. In this case, connect the plug of the adapter or power tool/machine to the socket of the unit.
- The battery is empty. In this case, charge the unit.
- The battery is overheated or the temperature of the unit is low. In this case, cool down the unit, or warm up the unit.

If the main power lamp blinks in red and green alternately, turn the power off, and then turn the power on. If the main power lamp keeps blinking in red and green alternately after turning the power on, ask your local Makita Authorized Service Center for repair.

Indicating the remaining battery capacity

Press the power button on the unit to indicate the remaining battery capacity. The indicator lamps light up for approximately 5 seconds.

Indicator lamps			Remaining capacity
Lighted	Off	Blinking	
■ ■ ■ ■			75% to 100%
■ ■ ■ □			50% to 75%
■ ■ □ □			25% to 50%
■ □ □ □			0% to 25%
▬ □ □ □			Charge the battery.
■ ■ □ □		↑ ↓	The battery may have malfunctioned.
□ □ ■ ■			

NOTE: Depending on the conditions of use and the ambient temperature, the indication may differ slightly from the actual capacity.

NOTE: If the tool or machine has indicator lamps for remaining battery capacity, do not refer to the indicator lamps of the tool or machine but to the indicator lamps of this unit.

NOTE: If the multiple indicator lamps blink, the battery is overheated. In this case, cool down the battery.

Tool/Machine/Battery protection system

The tool or machine is equipped with a tool or machine and battery protection system. This system automatically cuts off power to the motor to extend tool or machine and battery life. The tool or machine will automatically stop during operation if the tool, machine, or battery is placed under one of the following conditions:

Overload protection

When the tool, machine, or battery is operated in a manner that causes it to draw an abnormally high current, the tool or machine automatically stops. In this situation, turn the tool or machine off and stop the application that caused the tool or machine to become overloaded. Then turn the tool or machine on to restart.

Overheat protection

When the tool, machine, or battery is overheated, the tool or machine automatically stops. In this case, let the tool or machine and battery cool before turning the tool or machine on again.

Overdischarge protection

When the battery capacity is not enough, the tool or machine stops automatically and an indicator lamp blinks when you press the power button. In this case, remove the battery from the tool or machine and charge the battery.

Low battery indication lamp of Adapter for 36 V - 40 Vmax

Optional accessory

This adapter features the indication lamp that notifies you of low or no battery capacity. When the indication lamp is blinking, the remaining battery capacity gets low.

When the indication lamp lights up, the battery capacity is depleted or battery protection system is activated.

NOTE: When using the tool/machine continuously, tool/machine may automatically stop without blinking the indication lamp.

NOTE: The timing when the indication lamp blinks varies depending on the ambient temperature and battery status.

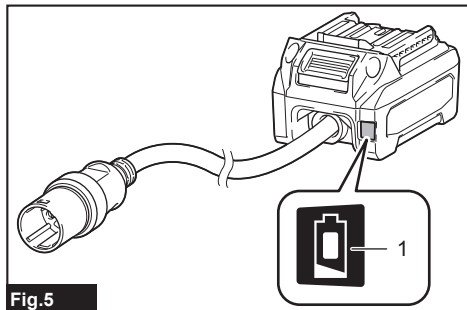


Fig.5

► 1. Low battery indication lamp

Using the adapter pocket

CAUTION: Do not use this unit with the cord fixed using the hook and loop fastener of the adapter pocket.

You can put the adapters into the adapter pocket as shown in the figure.

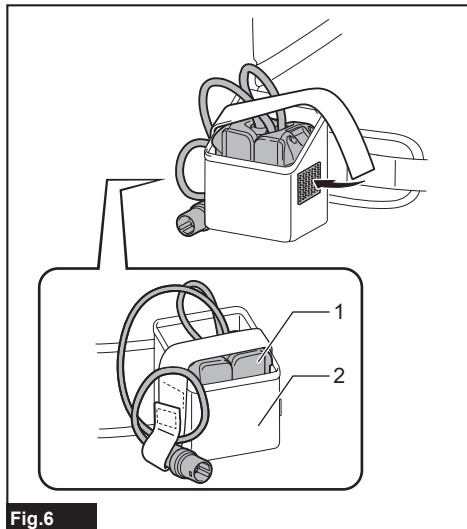


Fig.6

► 1. Adapter 2. Adapter pocket

ASSEMBLY

CAUTION: Always be sure that the unit is switched off before carrying out any work on the unit.

Assembling the unit

1. Attach the battery to the base plate of the shoulder harness assembly as shown in the figure.

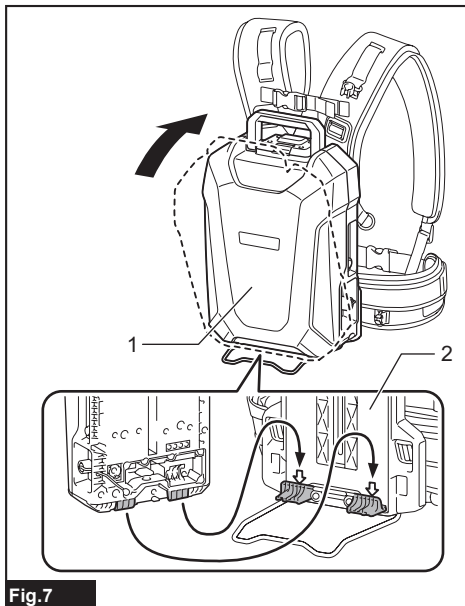


Fig.7

► 1. Battery 2. Base plate

CAUTION: Make sure that the battery is securely fixed to the base plate. Otherwise, the battery may fall when you wear the unit or use the unit, and cause an injury. If you can see the red indicator as shown in the figure, the battery is not locked completely.

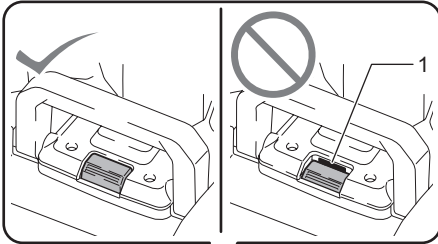


Fig.8

▶ 1. Red indicator

CAUTION: Be careful not to pinch your fingers or thumbs between the battery and the base plate when attaching the battery.

CAUTION: When removing the battery, press the lock button while holding the handle firmly. Before removing the battery, set the waist belt to the lowest position.

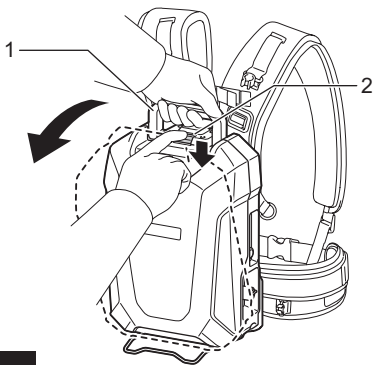


Fig.9

▶ 1. Handle 2. Lock button

2. Adjust the position of the waist belt. Pull up the height adjustment lever, then adjust the position of the waist belt by sliding the base plate, and then return the lever.

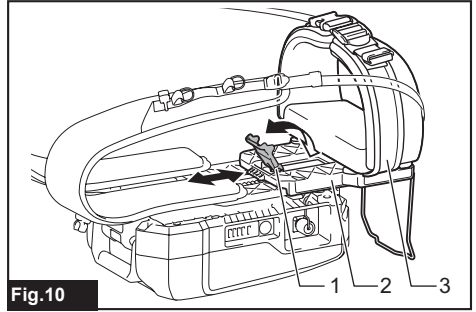


Fig.10

▶ 1. Height adjustment lever 2. Base plate 3. Waist belt

CAUTION: When adjusting the position of the waist belt, be sure to lay down the unit so that the battery faces downward as shown in the figure.

NOTICE: If the height adjustment lever is loose, tighten the nut of the height adjustment lever. When tightening the nut, do not tighten it excessively. Otherwise, the height adjustment lever will not move.

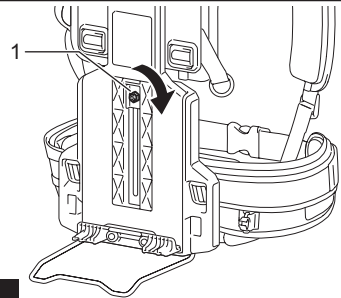


Fig.11

▶ 1. Nut

NOTE: If it is difficult to slide the base plate, lift up the bottom of battery slightly so that the stand does not touch the ground, and then slide the base plate.

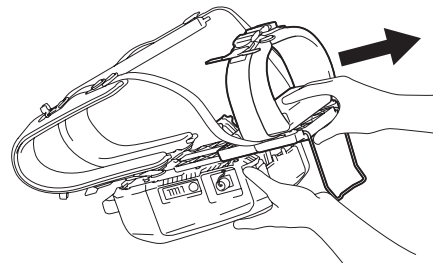


Fig.12

3. Attach the adapter pocket to the waist belt with the hook and loop fastener as shown in the figure.

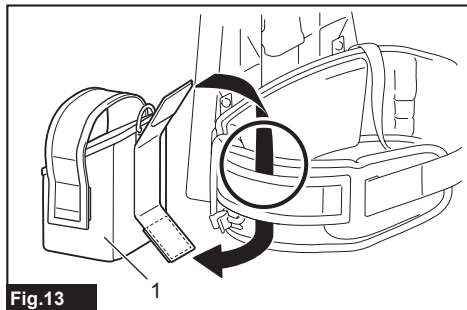


Fig.13

- 1. Adapter pocket

NOTE: The adapter pocket can be attached on either left or right side of the waist belt.

4. Adjust the width of the shoulder harness using the width adjustment belt.

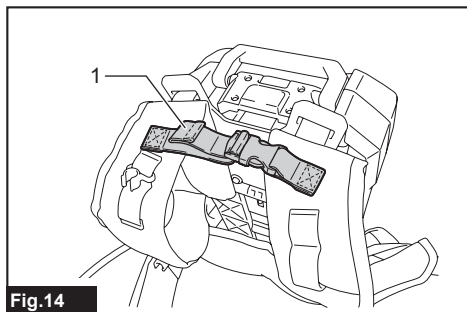


Fig.14

- 1. Width adjustment belt

5. Put on the unit, then lock the buckle of the waist belt, and then adjust the length of the waist belt.

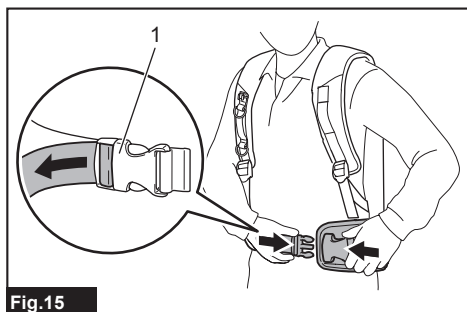


Fig.15

- 1. Buckle

NOTE: You can fold and fix the belt with the hook and loop fastener as shown in the figure.

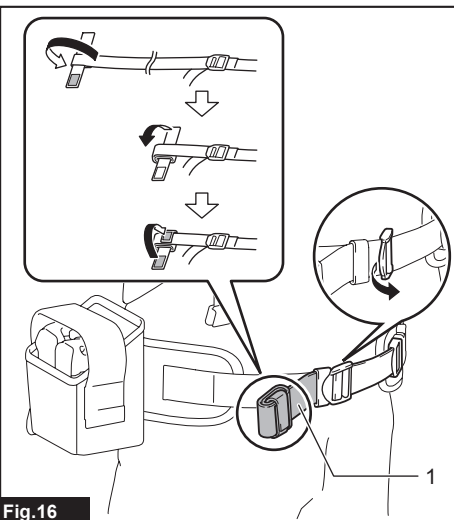


Fig.16

- 1. Belt

6. Adjust the length of the shoulder harness.

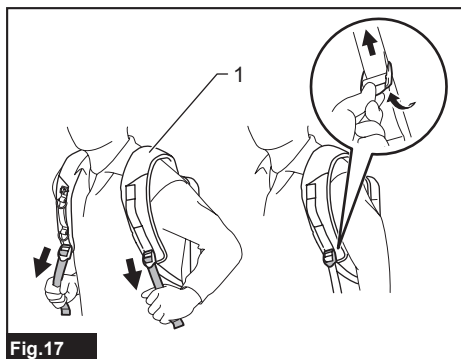


Fig.17

- 1. Shoulder harness

NOTE: You can fold and fix the belt with the hook and loop fastener as shown in the figure.

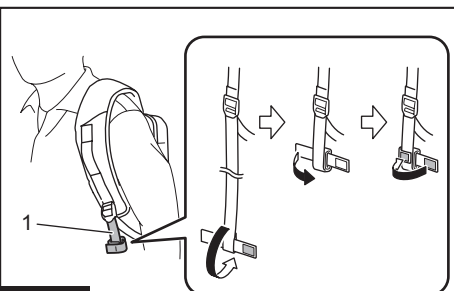


Fig.18

- 1. Belt

CAUTION: When setting down the unit, place the unit on a flat and stable surface so that the unit does not fall.

When setting down the unit, unlock the buckle of the waist belt, and then set down the unit slowly.

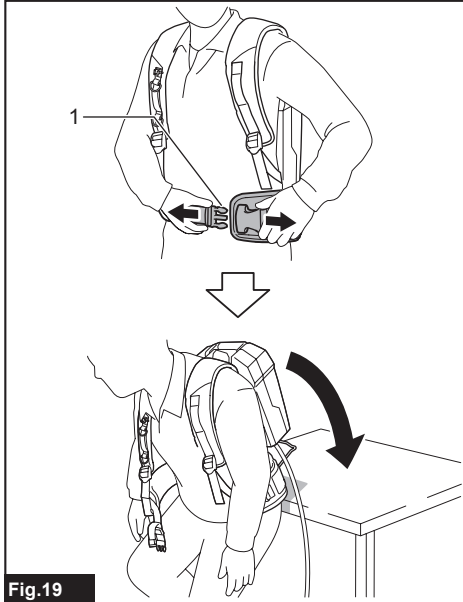


Fig.19

► 1. Buckle

Connecting the unit to the tool or machine

1. Remove the battery from the base plate of the shoulder harness assembly.
2. Pull out the cord from either left or right side of the battery. When pulling out the cord, be sure to set the cord in the holders as shown in the figure.

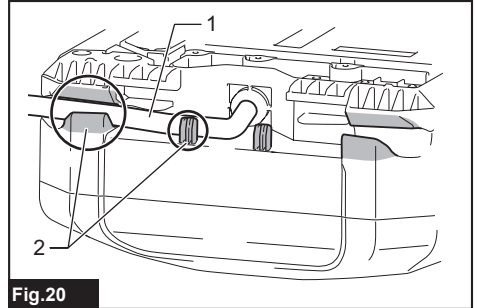


Fig.20

► 1. Cord 2. Holder

3. Attach the battery to the base plate of the shoulder harness assembly.
4. Put on the unit.
5. Insert the plug of the adapter or power tool/machine into the socket of the battery all the way so that the arrow mark on the plug is aligned with that on the socket.

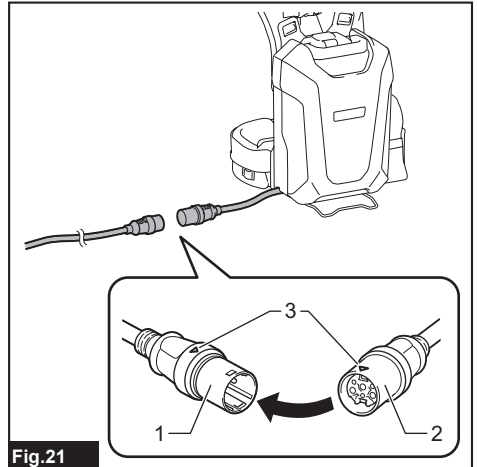


Fig.21

► 1. Plug 2. Socket 3. Arrow mark

CAUTION: When wearing the unit, be sure to put shoulder harness on your both shoulders. Otherwise, the unit may fall when you wear the unit or use the unit, and cause an injury.

CAUTION: When wearing the unit, be sure to wear the unit on your back. Otherwise, the unit may fall during operation and cause an injury.

CAUTION: Always switch off the tool or machine before turning on the unit, or connecting the plug of the adapter or power tool/machine to the socket of the battery. Otherwise, the tool or machine may start suddenly and cause an injury.

NOTE: The adapter for 18 V is not available for this unit.

NOTICE: When disconnecting the plug and socket, do not hold the cords but hold the plug and socket. Otherwise, the cords may be damaged and cause a malfunction of the unit.

NOTE: The plug and socket are disconnected if a certain load is applied.

6. Install the adapters to the tool or machine in the same way as the battery cartridge.

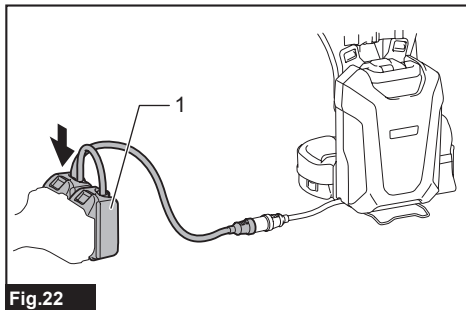


Fig.22

► 1. Adapter

NOTICE: For 36 V (18 V x 2) battery-powered tool or machine, use the adapters for 36 V (18 V x 2). For 36 V - 40 Vmax battery-powered tool or machine, use the adapter for 36 V - 40 Vmax. For direct connection type tool or machine, no adapter is required.

NOTICE: When installing adapters to the tool or machine, be sure to install the adapter equipped with 2 cords to the location shown in the figure.

If you install the adapters incorrectly, the adapter equipped with 2 cords cannot be inserted all the way. In this case, do not insert the adapter forcibly. Otherwise, the tool or machine may be damaged.

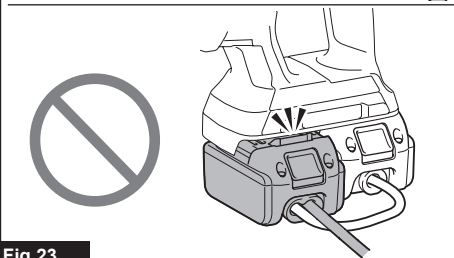
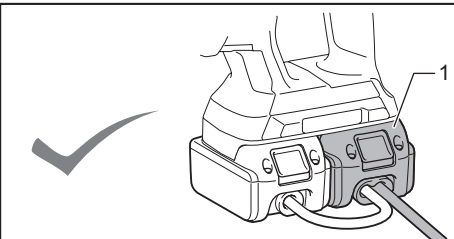


Fig.23

► 1. Adapter with 2 cords

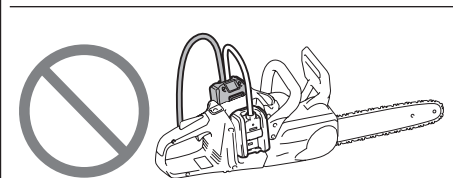
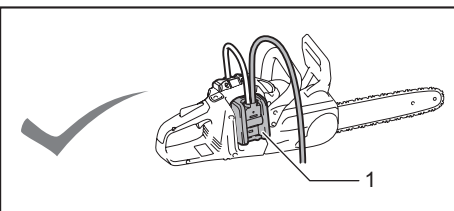


Fig.24

► 1. Adapter with 2 cords

NOTE: The direction of the cord of the adapter can be changed in the range of approximately 180 degrees.

7. Press the power button to turn the power on. To turn the power off, press the power button for a few seconds.

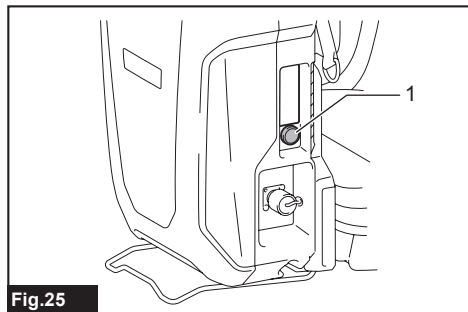


Fig.25

► 1. Power button

Using the cord holders

⚠ CAUTION: Attach only the cord of the battery to the cord holders. Do not attach the cord of the adapters or power tool/machine to the cord holders. Attaching the cord of the adapters or power tool/machine may invite accident and cause an injury.

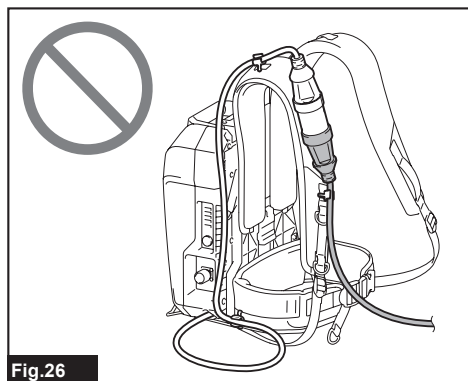


Fig.26

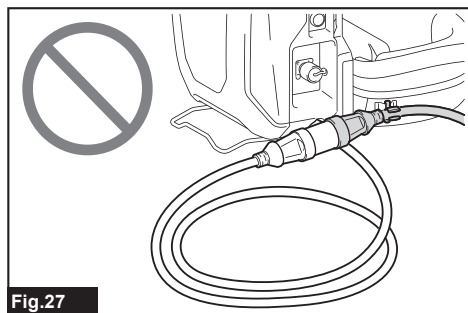


Fig.27

You can attach the cord of the battery to the cord holders as shown in the figure.

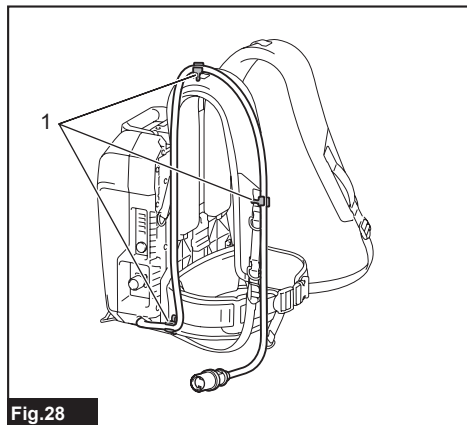


Fig.28

► 1. Cord holder

You can also attach the cord using only the cord holder of the waist belt as shown in the figure.

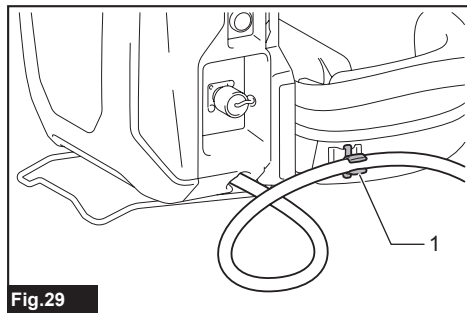


Fig.29

► 1. Cord holder

The cord holders can be attached on either left or right side of the shoulder harness and waist belt.

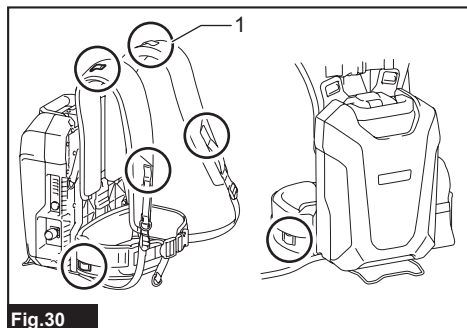


Fig.30

► 1. Part to be attached the cord holder

CAUTION: Be sure to attach the cord to the shoulder harness on the left side only or right side only so that the cord does not cross the shoulder harness.

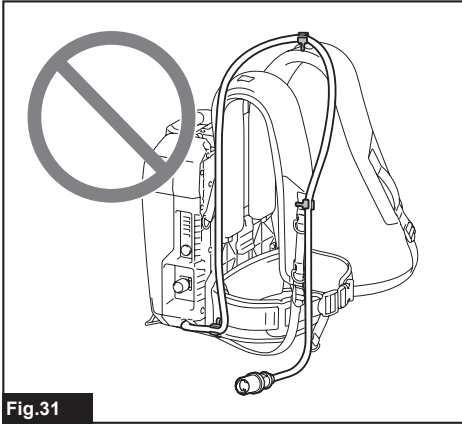


Fig.31

Using the hanging band

Optional accessory

CAUTION: Before operation, make sure that the hanging band is properly attached to the hanger on the tool.

You can use the hanging band for cordless grass trimmer or cordless pole saw with this unit.

Attaching the hanging band

1. Attach the hooks of the hanging band to the rings of the shoulder harness or waist belt as shown in the figure. Select the type of band and the connecting method appropriate for your usage.

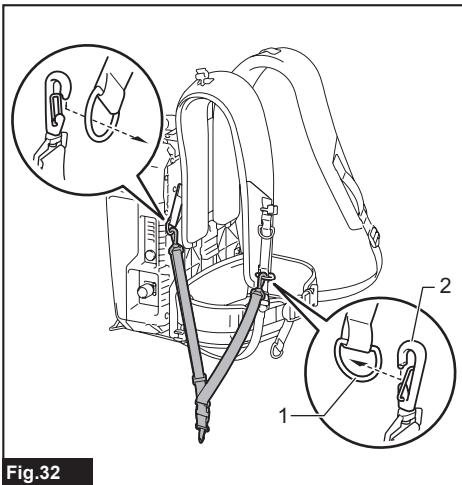


Fig.32

► 1. Ring 2. Hook

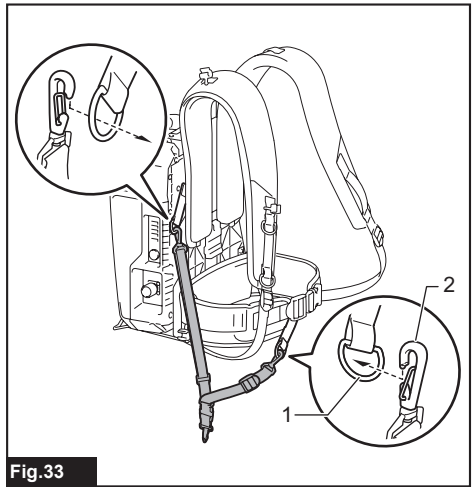


Fig.33

► 1. Ring 2. Hook

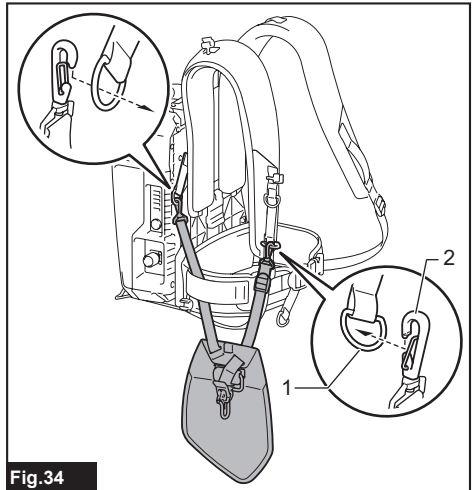


Fig.34

► 1. Ring 2. Hook

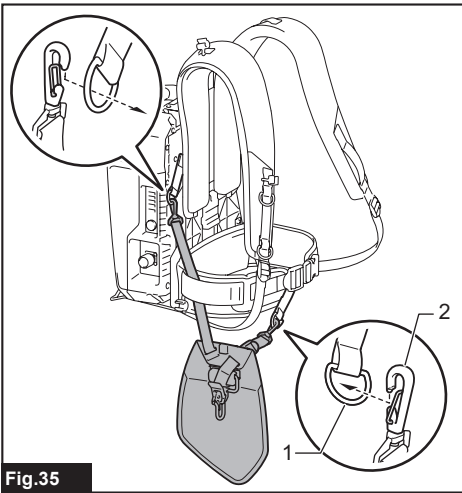


Fig.35

► 1. Ring 2. Hook

NOTE: If the tool is bike handle type, attach the band so that the band passes through inside of the waist belt as shown in the figure.

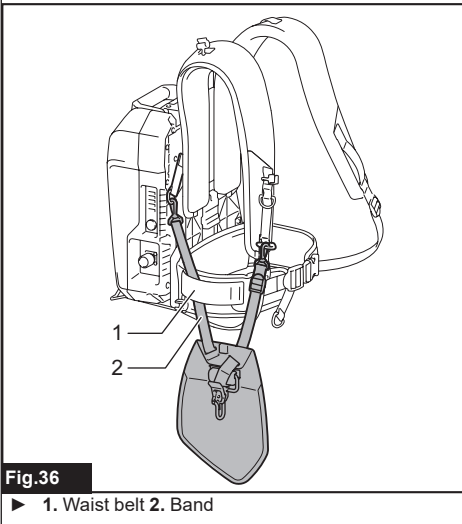


Fig.36

► 1. Waist belt 2. Band

2. Attach the hook to the tool.

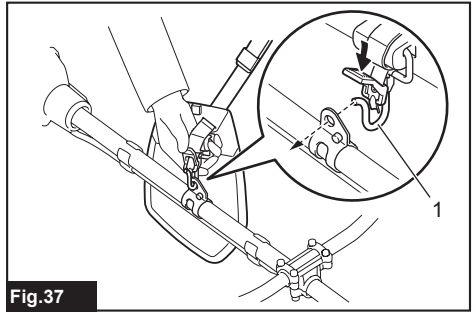


Fig.37

► 1. Hook

Detaching the tool

Push the levers on the buckle to unlock the buckle.

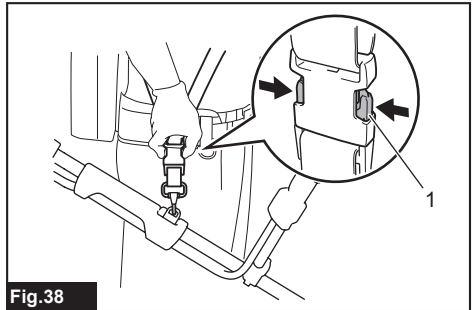


Fig.38

► 1. Lever

NOTE: The buckle is not equipped depending on the type of band.

Emergency detachment

1. Push the levers on the buckle of the waist belt to unlock the buckle.

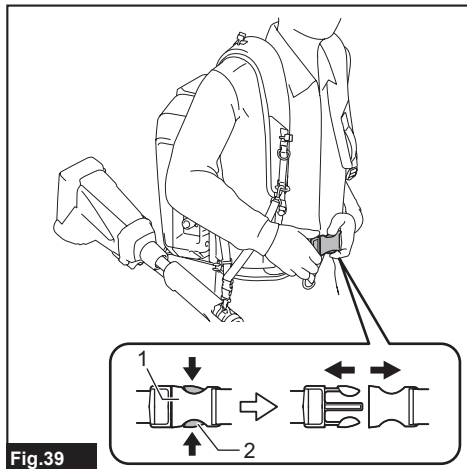


Fig.39

- 1. Buckle 2. Lever

2. Take off the shoulder harness to release the tool and the unit.

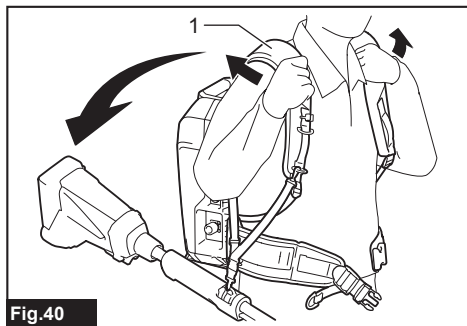


Fig.40

- 1. Shoulder harness

MAINTENANCE

CAUTION: Always be sure that the unit is switched off before attempting to perform inspection or maintenance.

NOTICE: Never use gasoline, benzine, thinner, alcohol or the like. Discoloration, deformation or cracks may result.

To maintain product SAFETY and RELIABILITY, repairs, any other maintenance or adjustment should be performed by Makita Authorized or Factory Service Centers, always using Makita replacement parts.

TROUBLESHOOTING

Before asking for repairs, conduct your own inspection first. If you find a problem that is not explained in the manual, do not attempt to dismantle the tool, machine, or unit. Instead, ask Makita Authorized Service Centers, always using Makita replacement parts for repairs.

State of abnormality	Main power lamp	Cause	Remedy
The tool or machine does not start.	-	The charger is connected to the unit.	Remove the charger from the unit.
	The lamp lights up in green.	The adapters are not installed to the tool or machine.	Install the adapters to the tool or machine. Check that the adapters are installed securely.
		The tool or machine, or the cords of the adapters are overheated.	Cool down the tool or machine, unit and adapter. After cooling down, power off and then power on again.
		The tool or machine, or the unit is broken.	Ask Makita Authorized Service Centers for repair.
	The lamp blinks in green.	The plug of the adapter or power tool/machine and the socket of the battery are not connected.	Connect the plug and the socket. Check that the plug and socket are connected securely.
		The unit is overheated, or the temperature of the unit is low.	Cool down the unit, or warm up the unit.
		The remaining battery capacity is not enough.	Charge the battery.
	The lamp blinks in red and green alternately.	The unit has detected an abnormality.	Turn off the unit, and then back on.
		The tool or machine, or the unit is broken.	Ask Makita Authorized Service Centers for repair.
	The lamp does not light up.	The unit is not turned on.	Turn on the unit.
		The remaining battery capacity is not enough.	Charge the battery.
		The unit is broken.	Ask Makita Authorized Service Centers for repair.
Charging does not start when the charger is connected.	The lamp blinks in red.	The unit is overheated, or the temperature of the unit is low.	Cool down the unit, or warm up the unit.
	The lamp blinks in red and green alternately.	The unit or charger has detected an abnormality.	Remove the socket of the battery charger, and then connect it again.
		The unit or charger is broken.	Ask Makita Authorized Service Centers for repair.
	The lamp does not light up.	The charger is not connected to the proper AC voltage source.	Connect the charger to the proper AC voltage source.
		The socket of the charger is not connected properly.	Connect the socket of the charger properly.
		The power cord of the charger is not connected to the charger properly.	Connect the power cord to the charger properly.
		The unit or charger is broken.	Ask Makita Authorized Service Centers for repair.

OPTIONAL ACCESSORIES

⚠ CAUTION: These accessories or attachments are recommended for use with your Makita tool specified in this manual. The use of any other accessories or attachments might present a risk of injury to persons. Only use accessory or attachment for its stated purpose.

If you need any assistance for more details regarding these accessories, ask your local Makita Service Center.

- Makita genuine charger
- Adapters for 36 V (18 V x 2)
- Adapter for 36 V - 40 Vmax
- Shoulder harness

NOTE: Some items in the list may be included in the tool package as standard accessories. They may differ from country to country.

MAKITA LIMITED WARRANTY

Please refer to the annexed warranty sheet for the most current warranty terms applicable to this product. If annexed warranty sheet is not available, refer to the warranty details set forth at below website for your respective country.

United States of America: www.makitatools.com

Canada: www.makita.ca

Other countries: www.makita.com

SPÉCIFICATIONS

Modèle :		PDC1200
Dimensions (L x P x H)		369 mm x 261 mm x 139 mm (14-1/2" x 10-1/4" x 5-1/2") *1
Tension nominale		C.C. 36 V - 40 V max.
Charge de la batterie		33,5 Ah
Type de batterie		Lithium-ion rechargeable
Temps de charge		360 minutes
Poids net	Batterie	8,8 kg (19,4 lbs) *1
	Ensemble de sangle d'épaule	1,6 kg (3,5 lbs) *2

*1. Sans l'ensemble de sangle d'épaule, les adaptateurs et le chargeur.

*2. Sans la pochette pour adaptateur

Chargeur applicable

- DC4001

⚠ MISE EN GARDE : Utilisez uniquement le chargeur indiqué ci-dessus. L'utilisation de tout autre chargeur peut entraîner une blessure et/ou un incendie.

Utilisation prévue

Le support d'alimentation portable est adéquat pour de longues heures de travail, car il permet d'utiliser séparément la batterie et l'outil ou la machine.

Cet appareil peut être utilisé avec les outils ou machines qui suivent.

- Outil ou machine à batterie 36 V (18 V x 2)
- Outil ou machine à batterie 36 V - 40 V max.
- Outil ou machine à batterie (connexion directe à un support d'alimentation portable)

À propos de ce manuel d'instructions

Le terme « appareil » utilisé dans ce manuel d'instructions fait référence au support d'alimentation portable. Le support d'alimentation portable est composé de la batterie et de l'ensemble de sangle d'épaule.

Catégorie d'outils ou de machines compatibles

- Tronçonneuse sans Fil *1
- Tronçonneuse d'élagage sur perche sans fil
- SOUFFLEUR SANS FIL
- Coupe Herbe Sans Fil
- Moteur Multi-Fonctions Sans Fil
- Taille-haie sans fil
- Meuleuse d'Angle sans Fil
- Perforateur Sans Fil *2
- Tarière sans fil
- Tondeuse Sans Fil (uniquement pour le type à connecteur)
- Adaptateur USB

*1. À l'exception de la tronçonneuse à poignée supérieure (DUC252 / DUC302 / DUC352 / DUC256 / DUC306 / DUC356 / DUC406 / DUC256C / XCU02 / XCU08 / XCU09)

*2. À l'exception de DHR280 / DHR281 / DHR282 / DHR283 / XRH08 / XRH10 / XRH11

La catégorie d'outils ou de machines compatibles est indiquée sous réserve de modification sans préavis. Reportez-vous au plus récent manuel d'instructions pour plus d'informations sur la catégorie d'outils ou de machines compatibles.

⚠ MISE EN GARDE : N'utilisez jamais cet appareil avec des outils ou des machines de la catégorie ci-dessous. Utiliser cet appareil avec des outils ou machines non compatibles peut entraîner une blessure ou un dysfonctionnement.

- Pulvérisateur de jardin sans-fil, Sécateur à batterie, Brouette à batterie, Vélo à assistance électrique, Aspirateur dorsal sans fil, Aspirateur robot, Blouson ventilé sans fil, Veste chauffante

AVIS : Si vous utilisez le fil de nylon lors de l'utilisation de l'appareil avec les modèles suivants, veillez à utiliser l'outil selon la combinaison suivante :

Modèle	DUR364L / DUR365U / DUR366L / DUR368A / DUR368L / DUX60 / XRU07 / XRU14 / XRU09 / XRU15 / XUX01
Outil de coupe et diamètre de coupe	Tête à fils de nylon à diamètre de coupe de 350 mm (13-3/4")
Diamètre du fil de nylon	2,0 mm (0,08")

*. Selon votre zone de résidence, il se peut que la tête à fils de nylon ne soit pas disponible.

NOTE :
Pour DUB362 / XBU02

Dans un environnement à température élevée, il se peut que le dispositif de protection de la machine l'arrête pendant l'utilisation.

CONSIGNES DE SÉCURITÉ

Consignes de sécurité pour support d'alimentation portable

▲MISE EN GARDE : Veuillez lire toutes les consignes de sécurité et instructions. L'ignorance des mises en garde et instructions comporte un risque de décharge électrique, d'incendie et/ou de blessure grave.

1. **Veillez à lire le manuel d'instructions de l'outil ou de la machine avant l'utilisation.**
 2. **Ne prenez pas ou ne transportez pas cet appareil en le tenant uniquement par le cordon. Ne tirez pas sur le cordon pendant que vous portez ou utilisez cet appareil.**
 3. **Avant de porter ou d'enlever cet appareil, retirez la prise de l'outil ou de la machine.**
 4. **Lorsque vous quittez l'outil ou la machine, veillez à retirer la prise de l'outil ou de la machine, ou à retirer l'appareil de votre corps.**
 5. **Prenez garde de trébucher sur le cordon pendant l'utilisation.**
 6. **N'utilisez pas cet appareil sur une surface instable ou dans des endroits élevés instables.**
 7. **Pendant l'utilisation, gardez le cordon à l'écart des obstacles. Le cordon coincé par des obstacles peut entraîner de graves blessures.**
 8. **N'insérez pas les adaptateurs dans le chargeur.**
 9. **Inspectez l'appareil, y compris les cordons et le harnais, avant l'utilisation. S'ils sont endommagés, demandez à votre centre de service après-vente Makita agréé de les réparer.**
 10. **Lorsque vous fixez le cordon au support de cordon, veillez à le fixer lentement et solidement.**
 11. **Assurez-vous toujours que l'outil ou la machine est éteint et que la prise est retirée avant de procéder à l'inspection ou à l'entretien de l'outil ou de la machine.**
 12. **Lorsque vous utilisez cet appareil avec un outil muni d'une lame, veillez à garder le cordon à l'écart de la lame.**
 13. **Lorsque vous portez l'appareil, ne mettez rien d'autre, tel qu'un harnais de sécurité ou une bandoulière, qui puisse interférer avec la fonction de retrait d'urgence de l'appareil.**
 14. **N'utilisez pas cet appareil lorsque vous grimpez dans un arbre.**
 15. **N'utilisez pas cet appareil lorsque vous portez un blouson ventilé sans fil ou une veste chauffante.**
 16. **N'exposez pas cet appareil à des étincelles.**
 17. **Veillez à déposer l'appareil à l'horizontale lorsque vous l'utilisez sans le porter ou l'installez sur l'outil ou la machine.**
 18. **Évitez de démonter, réparer ou modifier l'appareil.**
 19. **Prenez garde d'enchevêtrer le harnais ou la ceinture avec l'outil ou la machine.**
 20. **Lorsque vous utilisez l'appareil, prenez garde de couper les cordons avec l'outil ou la machine.**
 21. **Lorsque vous mettez l'appareil à la verticale à l'aide du support de batterie, veillez à placer l'appareil sur une surface plane.**
 22. **Gardez l'eau et les corps étrangers tels que les copeaux métalliques à l'écart de la fiche de l'appareil.**
 23. **N'utilisez pas l'outil ou la machine près des lignes électriques haute tension.**
 24. **Utilisez uniquement le chargeur spécifié pour l'appareil. N'utilisez pas d'autres chargeurs.**
 25. **Évitez d'endommager le boîtier de la batterie et de mettre quoi que ce soit sur l'appareil.**
 26. **Évitez de marcher ou de vous asseoir sur l'appareil.**
 27. **Évitez de transporter l'appareil en le tenant par le support de batterie ou la courroie de réglage de la largeur.**
 28. **Rangez l'appareil à l'intérieur.**
 29. **Évitez de mettre ou fixer quoi que ce soit entre la batterie et le support de batterie.**
 30. **N'accrochez rien au support de batterie.**
- ### Utilisation et entretien de l'outil à batterie
1. **Prévenez le démarrage accidentel. Assurez-vous que l'interrupteur est en position d'arrêt avant de connecter la machine à la batterie, de la saisir ou de la transporter.** Transporter la machine avec le doigt sur l'interrupteur ou la mettre sous tension alors que son interrupteur est en position de marche ouvre la porte aux accidents.
 2. **Retirez la batterie de la machine avant de procéder à des réglages, au remplacement d'accessoires ou au rangement de la machine.** De telles mesures de sécurité préventives réduisent le risque de démarrage accidentel de la machine.
 3. **Ne la rechargez qu'avec le chargeur spécifié par le fabricant.** Un chargeur conçu pour un certain type de batterie risque de déclencher un incendie s'il est utilisé avec une autre batterie.
 4. **N'utilisez les outils ou machines qu'avec les batteries spécifiquement désignées.** L'utilisation d'autres batteries peut présenter un risque de blessure et d'incendie.
 5. **Lorsque la batterie n'est pas utilisée, tenez-la à distance des objets métalliques tels que trombones, pièces de monnaie, clés, clous, vis ou autres petits objets métalliques, conducteurs potentiels entre une borne et une autre.** Un court-circuit entre les bornes de la batterie peut provoquer des brûlures ou un incendie.
 6. **Dans des conditions d'utilisation inadéquates de la batterie, il peut y avoir fuite d'électrolyte; évitez tout contact.** En cas de contact accidentel, rincez avec beaucoup d'eau. Si du liquide entre en contact avec les yeux, consultez un médecin. Le liquide qui gicle de la batterie peut provoquer des irritations ou des brûlures.
 7. **N'utilisez pas une batterie ou une machine endommagée ou modifiée.** Les batteries endommagées ou modifiées peuvent se comporter de manière imprévisible et entraîner un incendie, une explosion ou un risque de blessure.
 8. **N'exposez pas une batterie ou une machine au feu ou à une température excessive.** L'exposition au feu ou à une température supérieure à 130 °C (265 °F) peut provoquer une explosion.

9. **Suivez toutes les instructions de charge et ne chargez pas la batterie ou la machine à l'extérieur de la plage de température spécifiée dans les instructions.** Effectuer la charge de manière inadéquate ou à une température hors de la plage spécifiée peut endommager la batterie et faire augmenter le risque d'incendie.
10. **L'entretien doit être confié à un réparateur qualifié et n'utilisant que des pièces de rechange identiques aux pièces d'origine.** Cela assure le maintien du produit dans un état sécuritaire.
11. **Ne modifiez pas et n'essayez pas de réparer la machine ou la batterie autrement que tel qu'indiqué dans les instructions d'utilisation et d'entretien.**

Consignes de sécurité concernant l'alimentation électrique et la batterie

1. **Ne jetez pas la/les batterie(s) au feu.** L'élément pourrait exploser. Vérifiez la réglementation de votre région pour savoir s'il existe des directives particulières sur l'élimination.
2. **N'ouvrez pas et n'endommagez pas la/les batterie(s).** L'électrolyte qui s'échappe est corrosif et peut provoquer des dommages aux yeux ou à la peau. Il peut être toxique s'il est ingéré.
3. **Ne chargez pas la batterie sous la pluie ou dans les emplacements humides.**
4. **Ne chargez pas la batterie à l'extérieur.**
5. **Ne manipulez pas le chargeur, y compris sa fiche et ses bornes, avec les mains mouillées.**

Symboles

Les symboles utilisés pour l'appareil sont indiqués ci-dessous.

V	volts
— — —	courant continu
Wh	wattheure

Importantes consignes de sécurité pour la batterie

1. **Avant d'utiliser la batterie, veuillez lire toutes les instructions et indications de mise en garde sur (1) le chargeur de batterie, (2) la batterie et (3) le produit qui utilise la batterie.**
2. **Ne démontez pas la batterie.**
3. **Cessez immédiatement l'utilisation si le temps de fonctionnement devient excessivement court. Il y a risque de surchauffe, de brûlures, voire d'explosion.**
4. **Si l'électrolyte pénètre dans vos yeux, rincez-les à l'eau claire et consultez immédiatement un médecin. Il y a risque de perte de la vue.**
5. **Ne court-circuitez pas la batterie :**
 - (1) **Ne touchez les bornes avec aucun matériau conducteur.**
 - (2) **Évitez de ranger la batterie dans un contenant avec d'autres objets métalliques tels que clous, pièces de monnaie, etc.**
 - (3) **Évitez d'exposer la batterie à l'eau ou à la pluie.**

Un court-circuit de la batterie pourrait provoquer un fort courant, une surchauffe, parfois des brûlures et même une panne.

6. **Ne rangez pas et n'utilisez pas l'outil ou la machine et la batterie dans les emplacements où la température peut atteindre ou dépasser 50 °C (122 °F).**
7. **Ne brûlez pas la batterie même si elle est sévèrement endommagée ou complètement usée. La batterie peut exploser au contact du feu.**
8. **Prenez garde d'échapper ou de heurter la batterie.**
9. **N'utilisez pas une batterie si elle est endommagée.**
10. **Les batteries lithium-ion fournies sont soumises aux exigences de la législation sur les marchandises dangereuses.** Des exigences particulières sur l'emballage et l'étiquetage doivent être respectées lors du transport commercial par des tiers, des transitaires, etc. Pour préparer la marchandise à expédier, consultez un expert en matériaux dangereux si nécessaire. Respectez aussi les éventuelles réglementations nationales plus détaillées. Recouvrez de ruban isolant les contacts exposés, et emballez la batterie de sorte qu'elle ne puisse pas se déplacer à l'intérieur de l'emballage.
11. **Lors de l'élimination de la batterie, retirez-la de l'outil et éliminez-la dans un endroit sûr. Suivez la réglementation locale concernant l'élimination de la batterie.**
12. **N'utilisez la batterie qu'avec les produits spécifiés par Makita.** Installer la batterie sur des produits non conformes peut entraîner un incendie, une chaleur excessive, une explosion ou une fuite d'électrolyte.
13. **Si l'outil ou la machine reste inutilisé pendant une période prolongée, la batterie doit en être retirée.**
14. **Gardez la batterie à l'écart des enfants.**

CONSERVEZ CES INSTRUCTIONS.

⚠ ATTENTION : Utilisez exclusivement les batteries fabriquées par Makita. Les batteries autres que celles fabriquées par Makita ou les batteries modifiées peuvent exploser et causer un incendie, une blessure ou des dommages. Cela annule aussi la garantie Makita de l'outil et du chargeur Makita.

Conseils pour maintenir la durée de service maximale de la batterie

1. **Chargez la batterie avant qu'elle ne se décharge complètement. Cessez l'utilisation de l'outil ou de la machine et chargez la batterie chaque fois que vous constatez une baisse de puissance.**
2. **Ne rechargez jamais une batterie déjà complètement chargée. La surcharge réduit la durée de service de la batterie.**
3. **Chargez la batterie à une température ambiante de 10 °C à 40 °C (50 °F à 104 °F). Si la batterie est chaude, laissez-la refroidir avant de la charger.**
4. **Chargez la batterie si vous prévoyez ne pas l'utiliser pendant une période prolongée (plus de six mois).**

DESCRIPTION DES PIÈCES

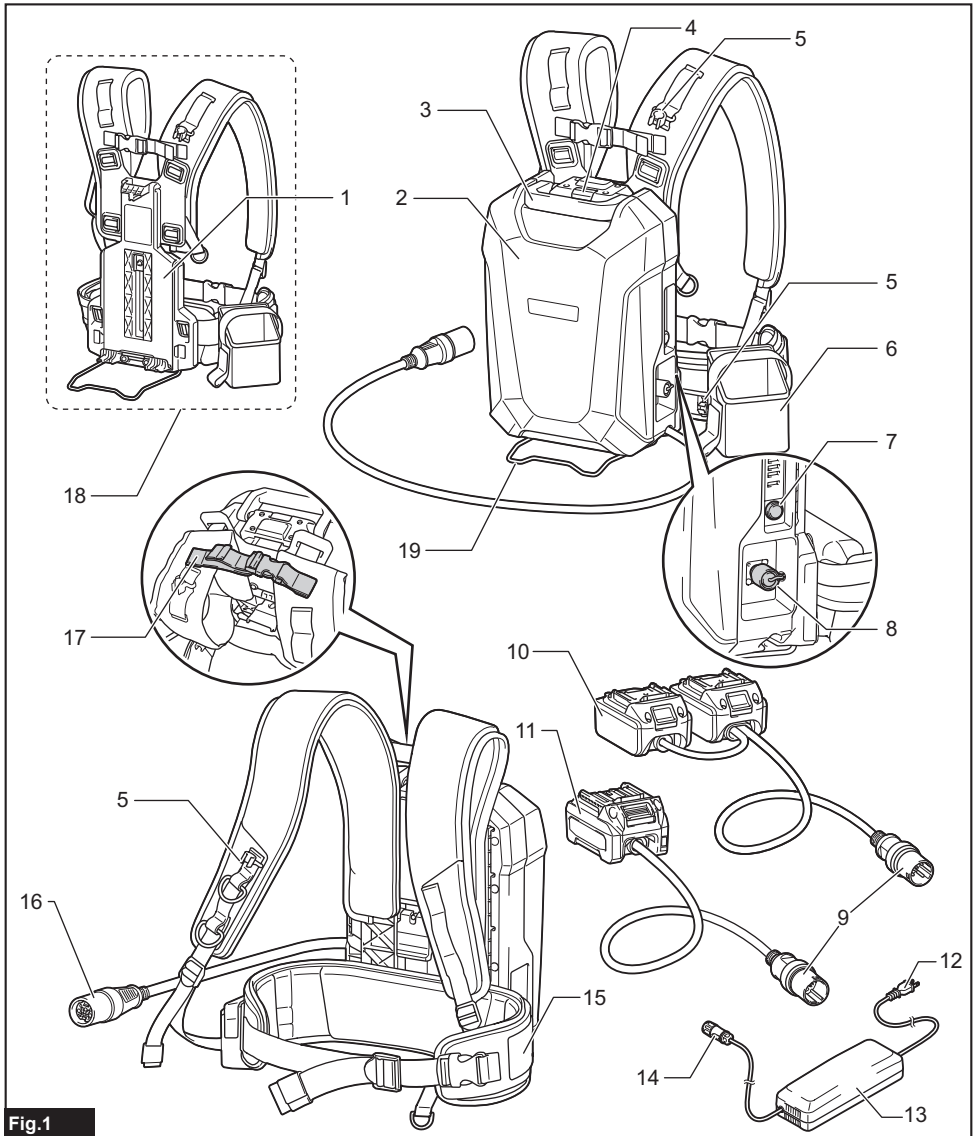


Fig.1

1	Plaquette de base	2	Batterie	3	Poignée	4	Bouton de sécurité
5	Support de cordon	6	Pochette pour adaptateur	7	Bouton d'alimentation	8	Fiche de la batterie
9	Fiche de l'adaptateur	10	Adaptateurs pour 36 V (18 V x 2) (accessoire en option)	11	Adaptateur pour 36 V - 40 V max. (accessoire en option)	12	Fiche d'alimentation du chargeur de batterie
13	Chargeur de batterie (accessoire en option)	14	Prise du chargeur de batterie	15	Ceinture de taille	16	Prise
17	Courroie de réglage de la largeur	18	Ensemble de sangle d'épaule (accessoire en option)	19	Support de batterie	-	-

DESCRIPTION DU FONCTIONNEMENT

ATTENTION : Assurez-vous toujours que l'appareil est éteint avant de le régler ou de l'inspecter.

Charge de l'appareil

ATTENTION : Une fois la charge terminée, veillez à retirer la fiche d'alimentation du chargeur de batterie de la source de tension C.A., à retirer la prise du chargeur de batterie et à fixer le capuchon de la batterie.

AVIS : Le chargeur de batterie est conçu exclusivement pour charger le support d'alimentation portable MAKITA. Ne l'utilisez jamais à d'autres fins ou pour des batteries d'autres fabricants.

AVIS : L'outil ou la machine ne démarre pas lorsque le chargeur de batterie est connecté à l'appareil. Dans ce cas, retirez le chargeur de batterie de l'appareil.

AVIS : Il se peut que la charge s'arrête si la température de la batterie devient basse ou élevée pendant la charge. Le cas échéant, laissez réchauffer ou refroidir la batterie jusqu'à ce qu'elle ait atteint une température normale, puis redémarrez la charge.

1. Tournez le capuchon de la batterie pour le retirer.

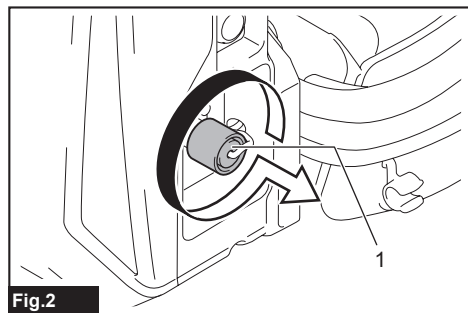


Fig.2

► 1. Capuchon

2. Alignez la partie saillante de la prise du chargeur de batterie sur partie correspondante de la fiche de l'appareil, puis fixez la prise à la fiche en faisant tourner la prise.

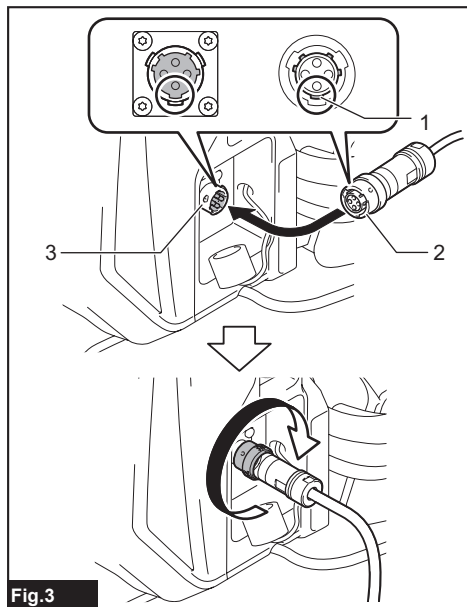


Fig.3

► 1. Partie saillante 2. Prise 3. Fiche

3. Branchez la fiche d'alimentation du chargeur de batterie dans une source de tension C.A. adéquate.

4. Une fois la charge terminée, retirez la prise du chargeur de batterie, puis fixez le capuchon de la batterie.

Pendant la charge, le témoin d'alimentation secteur s'allume en rouge et les lampes témoins indiquent la charge restante de la batterie. Une fois la charge terminée, le témoin d'alimentation secteur et les lampes témoins s'éteignent.

Témoin d'alimentation secteur	Lampes témoins			Charge restante
	Allumé	Éteint	Clignotant	
				Charge en cours (75 % à 100 %)
				Charge en cours (50 % à 75 %)
				Charge en cours (25 % à 50 %)
				Charge en cours (0 % à 25 %)

Bouton d'alimentation et voyant de batterie

ATTENTION : Assurez-vous que l'outil ou la machine est éteint avant d'allumer l'appareil. Autrement, l'outil ou la machine risque de démarrer soudainement et d'entraîner une blessure.

NOTE : Il se peut que l'outil ou la machine ne démarre pas si vous l'allumez juste après avoir allumé l'appareil. Le cas échéant, redémarrez encore une fois l'outil ou la machine.

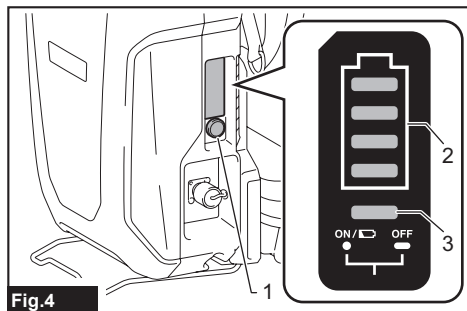


Fig.4

- 1. Bouton d'alimentation 2. Lampe témoin
3. Témoin d'alimentation secteur

Pour mettre le contact, appuyez sur le bouton d'alimentation. Le témoin d'alimentation secteur s'allume en vert. Pour couper le contact, appuyez sur le bouton d'alimentation pendant quelques secondes.

NOTE : Si l'appareil et l'outil ou la machine connecté sont laissés sans surveillance pendant 8 heures, l'appareil s'éteint automatiquement.

Le témoin d'alimentation secteur clignote en vert dans les situations suivantes :

- La fiche de l'adaptateur ou la fiche de l'outil électrique ou de la machine n'est pas connectée à la prise de l'appareil.
Dans ce cas, connectez la fiche de l'adaptateur ou la fiche de l'outil électrique ou de la machine à la prise de l'appareil.
- La batterie est épuisée.
Dans ce cas, chargez l'appareil.
- La batterie est surchauffée ou la température de l'appareil est basse.
Dans ce cas, laissez refroidir ou réchauffer l'appareil.

Si le témoin d'alimentation secteur clignote alternativement en rouge et en vert, éteignez l'appareil puis rallumez-le. Si le témoin d'alimentation secteur continue de clignoter alternativement en rouge et en vert une fois l'appareil allumé, demandez à votre Centre de service après-vente Makita agréé de le réparer.

Indication de la charge restante de la batterie

Appuyez sur le bouton d'alimentation de l'appareil pour afficher la charge restante de la batterie. Les lampes témoins s'allument pendant environ 5 secondes.

Lampes témoins			Charge restante
Allumé	Éteint	Clignotant	
■ ■ ■ ■			75 % à 100 %
■ ■ ■ □			50 % à 75 %
■ ■ □ □			25 % à 50 %
■ □ □ □			0 % à 25 %
■ □ □ □	□ □ □ □		Chargez la batterie.
■ □ □ □	□ □ □ □	□ □ □ □	La batterie a peut-être mal fonctionné.
□ □ □ □	□ □ □ □	■ ■ ■ ■	

NOTE : Suivant les conditions d'utilisation et la température ambiante, il se peut que l'indication soit légèrement différente de la charge réelle.

NOTE : Si l'outil ou la machine est équipé de lampes témoin de capacité restante de la batterie, ne vous référez pas aux lampes témoin de l'outil ou de la machine mais à celles de cet appareil.

NOTE : Si plusieurs lampes témoins clignotent, cela signifie que la batterie est surchauffée. Le cas échéant, laissez refroidir la batterie.

Dispositif de protection d'outil/machine et batterie

L'outil ou la machine est équipé d'un dispositif de protection d'outil/machine et batterie. Ce dispositif coupe automatiquement l'alimentation du moteur pour prolonger la durée de service de l'outil ou de la machine et de la batterie. L'outil ou la machine s'arrête automatiquement pendant l'utilisation lorsque l'outil, la machine ou la batterie est dans l'une des situations suivantes :

Protection contre la surcharge

Lorsque l'outil, la machine ou la batterie est utilisé d'une façon qui lui fait consommer un courant anormalement élevé, l'outil ou la machine s'arrête automatiquement. Dans ce cas, éteignez l'outil ou la machine et arrêtez l'application qui entraîne une surcharge de l'outil ou de la machine. Allumez ensuite l'outil ou la machine pour redémarrer.

Protection contre la surchauffe

Lorsque l'outil, la machine ou la batterie est surchauffé, l'outil ou la machine s'arrête automatiquement. Le cas échéant, laissez refroidir l'outil ou la machine et la batterie avant de rallumer l'outil ou la machine.

Protection contre la décharge excessive

Lorsque la charge de la batterie n'est pas suffisante, l'outil ou la machine s'arrête automatiquement et une lampe témoin clignote lorsque vous appuyez sur le bouton d'alimentation. Le cas échéant, retirez la batterie de l'outil ou de la machine et chargez-la.

Témoin lumineux de batterie faible de l'adaptateur pour 36 V - 40 V max.

Accessoire en option

Cet adaptateur est doté d'un témoin lumineux qui vous prévient lorsque la charge de la batterie est faible ou épuisée.

Le témoin lumineux clignote lorsque la charge restante de la batterie est faible.

Lorsque le témoin lumineux s'allume, la charge de la batterie est épuisée ou le dispositif de protection de la batterie est activé.

NOTE : Lors de l'utilisation continue de l'outil ou de la machine, la machine ou l'outil pourrait s'arrêter automatiquement sans faire clignoter le témoin lumineux.

NOTE : Le moment où le témoin lumineux clignote varie suivant la température ambiante et l'état de la batterie.

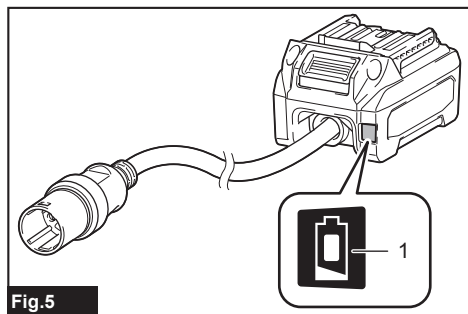


Fig.5

► 1. Témoin lumineux de batterie faible

Utilisation de la pochette pour adaptateur

ATTENTION : N'utilisez pas cet appareil avec le cordon fixé à l'aide de la fermeture velcro de la pochette pour adaptateur.

Vous pouvez mettre les adaptateurs dans la pochette pour adaptateur tel qu'indiqué sur la figure.

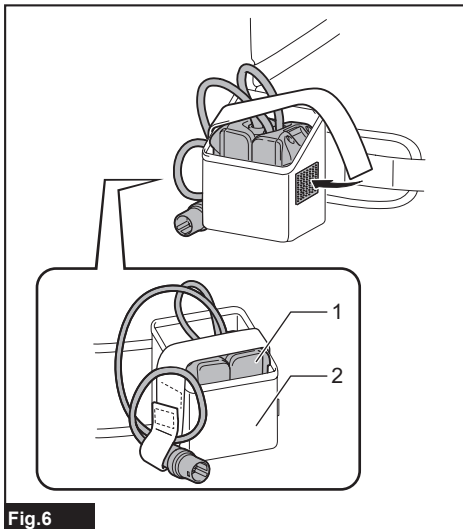


Fig.6

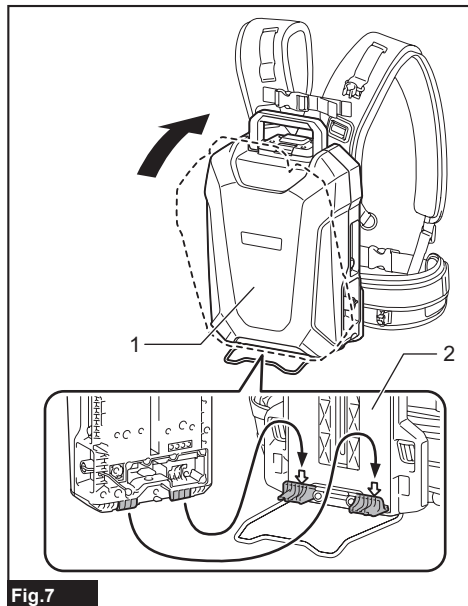
► 1. Adaptateur 2. Pochette pour adaptateur

ASSEMBLAGE

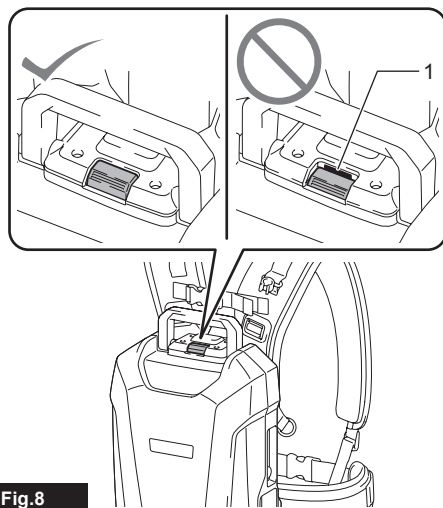
ATTENTION : Avant d'effectuer toute intervention sur l'appareil, assurez-vous toujours qu'il est éteint.

Assemblage de l'appareil

1. Fixez la batterie à la plaque de base de l'ensemble de sangle d'épaule tel qu'illustré sur la figure.

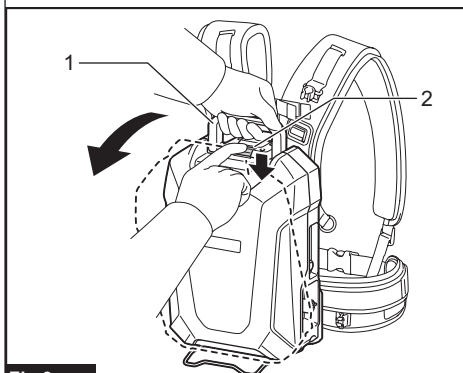


ATTENTION : Assurez-vous que la batterie est fermement fixée à la plaque de base. Autrement, la batterie risque de tomber pendant que vous portez ou utilisez l'appareil, et d'entraîner une blessure. Si vous pouvez voir l'indicateur rouge tel qu'illustré sur la figure, cela signifie que la batterie n'est pas complètement verrouillée.



ATTENTION : Lorsque vous fixez la batterie, prenez garde de vous pincer les doigts ou les pouces entre la batterie et la plaque de base.

ATTENTION : Lorsque vous retirez la batterie, enfoncez le bouton de sécurité tout en tenant fermement la poignée. Avant de retirer la batterie, réglez la ceinture de taille sur la position la plus basse.



2. Ajustez la position de la ceinture de taille. Tirez le levier de réglage de la hauteur vers le haut, puis ajustez la position de la ceinture de taille en faisant glisser la plaque de base, puis ramenez le levier.

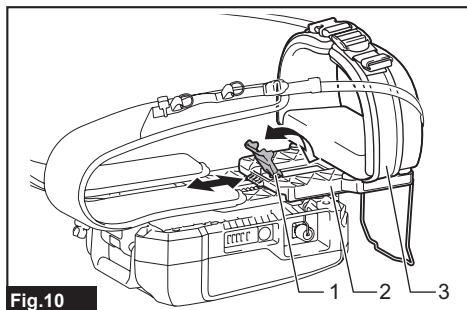


Fig.10

► 1. Levier de réglage de la hauteur 2. Plaque de base 3. Ceinture de taille

ATTENTION : Lorsque vous ajustez la position de la ceinture de taille, veillez à déposer l'appareil à l'horizontale de sorte que la batterie soit orientée vers le bas tel qu'illustré sur la figure.

AVIS : Si le levier de réglage de la hauteur est lâche, serrez l'écrou du levier de réglage de la hauteur. Ne serrez pas l'écrou excessivement. Autrement, le levier de réglage de la hauteur ne se déplacera pas.

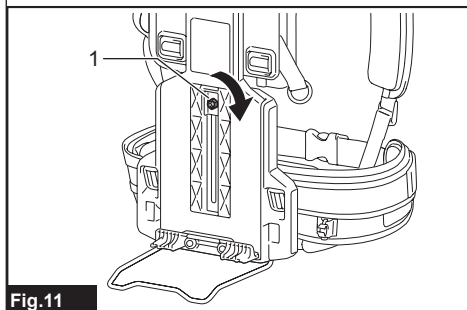


Fig.11

► 1. Écrou

NOTE : S'il est difficile de faire glisser la plaque de base, soulevez légèrement la base de la batterie de sorte qu'elle ne touche pas le sol, puis faites glisser la plaque de base.

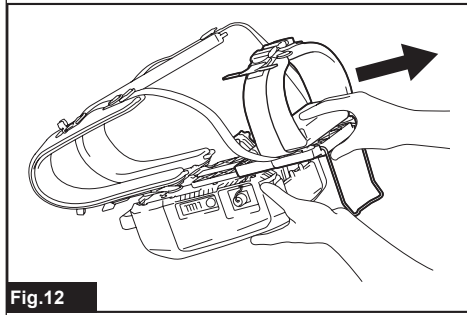


Fig.12

3. Fixez la pochette pour adaptateur à la ceinture de taille avec la fermeture velcro tel qu'indiqué sur la figure.

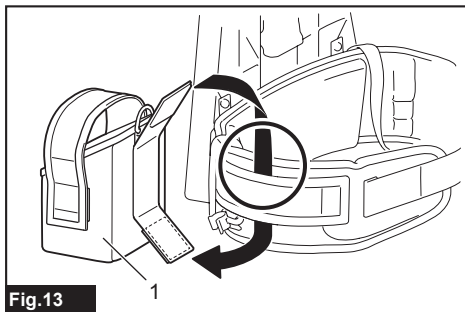


Fig.13

► 1. Pochette pour adaptateur

NOTE : La pochette pour adaptateur peut être fixée du côté droit ou gauche de la ceinture de taille.

4. Ajustez la largeur de la sangle d'épaule à l'aide de la courroie de réglage de la largeur.

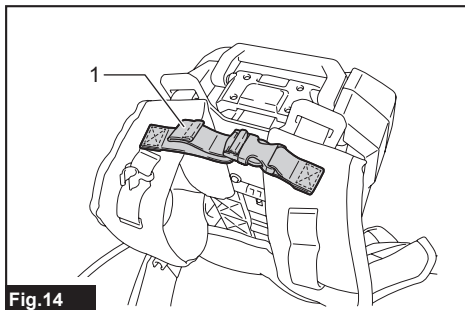


Fig.14

► 1. Courroie de réglage de la largeur

5. Portez l'appareil, puis verrouillez la boucle de la ceinture de taille et ajustez la longueur de la ceinture de taille.

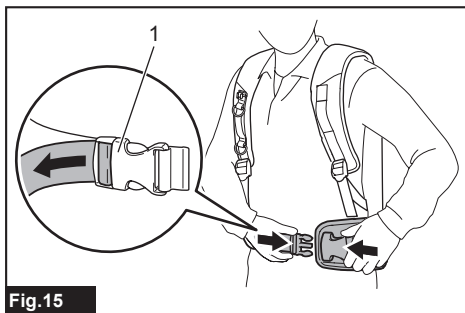


Fig.15

► 1. Boucle

NOTE : Vous pouvez plier et fixer la ceinture à l'aide de la fermeture velcro tel qu'indiqué sur la figure.

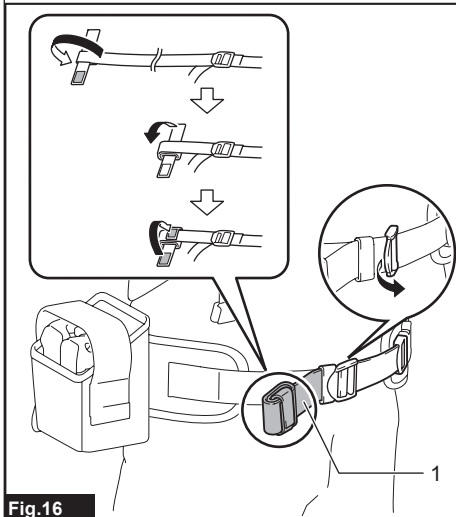


Fig.16

► 1. Ceinture

6. Ajustez la longueur de la sangle d'épaule.

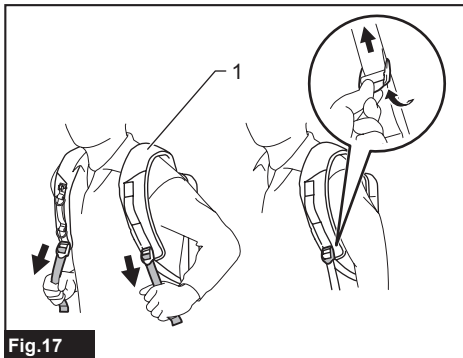


Fig.17

► 1. Sangle d'épaule

NOTE : Vous pouvez plier et fixer la ceinture à l'aide de la fermeture velcro tel qu'indiqué sur la figure.

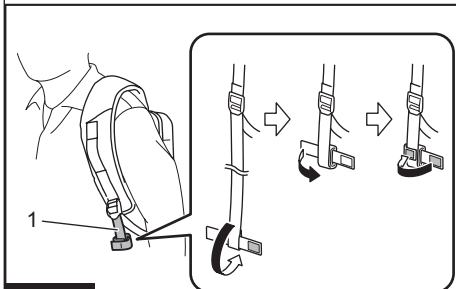


Fig.18

► 1. Ceinture

ATTENTION : Lorsque vous déposez l'appareil, mettez-le sur une surface plane et stable de sorte qu'il ne tombe pas.

Lorsque vous déposez l'appareil, déverrouillez la boucle de la ceinture de taille puis déposez lentement l'appareil.

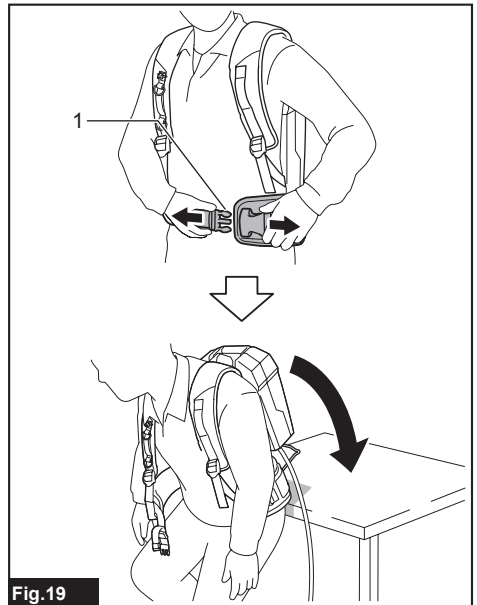


Fig.19

► 1. Boucle

UTILISATION

ATTENTION : Lorsque vous portez l'appareil, veillez à mettre la sangle d'épaule sur vos deux épaules. Autrement, l'appareil risque de tomber pendant que vous portez ou utilisez l'appareil et d'entraîner une blessure.

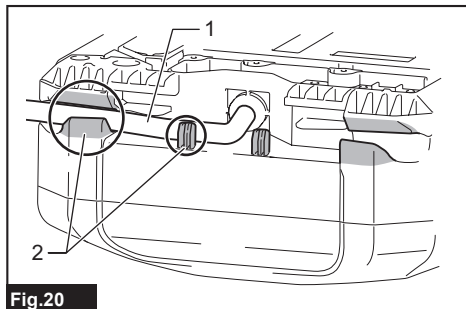
ATTENTION : Lorsque vous portez l'appareil, veillez à le porter sur votre dos. Autrement, l'appareil risque de tomber pendant l'utilisation et d'entraîner une blessure.

ATTENTION : Éteignez toujours l'outil ou la machine avant d'allumer l'appareil ou de connecter la fiche de l'adaptateur, de l'outil électrique ou de la machine dans la prise de la batterie. Autrement, l'outil ou la machine risque de démarrer soudainement et d'entraîner une blessure.

NOTE : L'adaptateur pour 18 V n'est pas disponible pour cet appareil.

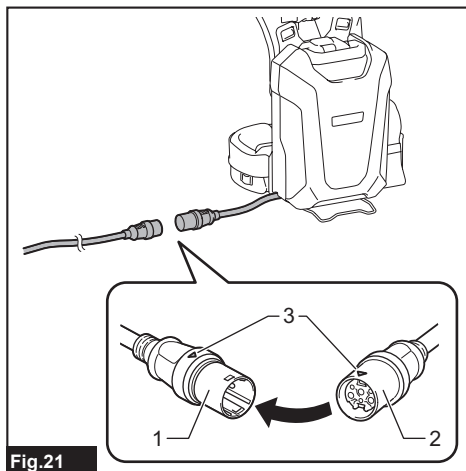
Connexion de l'appareil à l'outil ou à la machine

1. Retirez la batterie de la plaque de base de l'ensemble de sangle d'épaule.
2. Sortez le cordon du côté gauche de la batterie. En sortant le cordon, veillez à le placer dans les supports tel qu'indiqué sur la figure.



- 1. Cordon 2. Support

3. Fixez la batterie à la plaque de base de l'ensemble de sangle d'épaule.
4. Portez l'appareil.
5. Insérez la fiche de l'adaptateur, de l'outil électrique ou de la machine à fond dans la prise de la batterie, de sorte que la marque de flèche de la fiche soit alignée sur celle de la prise.

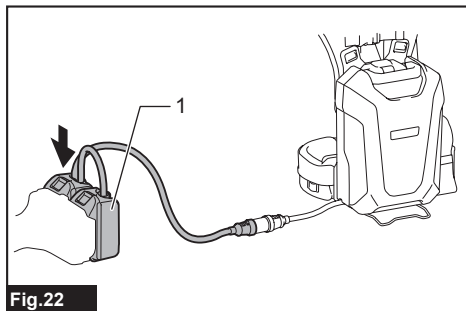


- 1. Fiche 2. Prise 3. Marque de flèche

AVIS : Pour déconnecter la fiche et la prise, ne saisissez pas les cordons mais plutôt la fiche et la prise. Autrement, les cordons risquent d'être endommagés et d'entraîner un dysfonctionnement de l'appareil.

NOTE : La fiche et le prise se déconnectent si une certaine charge est appliquée.

6. Installez les adaptateurs sur l'outil ou la machine de la même façon que la batterie.



- 1. Adaptateur

AVIS : Avec un outil ou une machine à batterie 36 V (18 V x 2), utilisez les adaptateurs pour 36 V (18 V x 2). Avec un outil ou une machine à batterie 36 V - 40 V max., utilisez l'adaptateur pour 36 V - 40 V max. Aucun adaptateur n'est requis pour un outil ou une machine à connexion directe.

AVIS : Lorsque vous installez des adaptateurs sur l'outil ou la machine, veillez à ce qu'ils soient dotés de deux cordons à l'emplacement indiqué sur la figure.

L'adaptateur doté de deux cordons ne pourra pas être inséré à fond s'il n'est pas installé correctement. Le cas échéant, n'insérez pas l'adaptateur par la force. Autrement, l'outil ou la machine risque de subir des dommages.

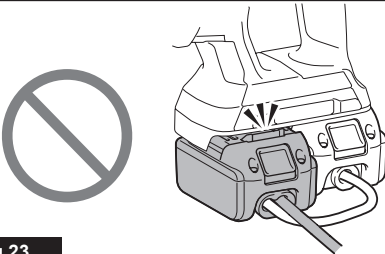
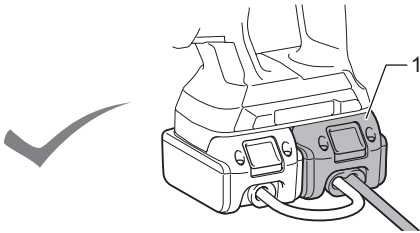


Fig.23

► 1. Adaptateur à deux cordons

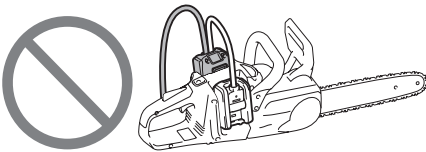
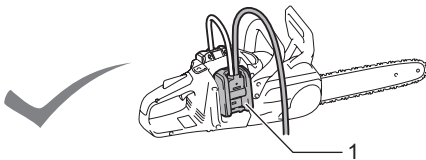


Fig.24

► 1. Adaptateur à deux cordons

NOTE : L'orientation du cordon de l'adaptateur peut être modifiée sur une plage d'environ 180 degrés.

7. Appuyez sur le bouton d'alimentation pour mettre le contact. Pour couper le contact, appuyez sur le bouton d'alimentation pendant quelques secondes.

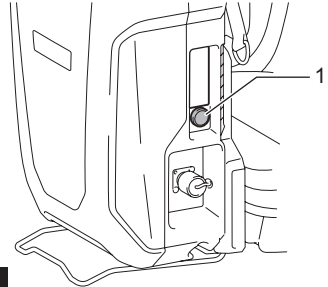


Fig.25

► 1. Bouton d'alimentation

Utilisation des supports de cordon

⚠ ATTENTION : Ne fixez que le cordon de la batterie aux supports de cordon. Ne fixez pas le cordon des adaptateurs ou le cordon de l'outil électrique ou de la machine aux supports de cordon. Fixer le cordon des adaptateurs ou le cordon de l'outil électrique ou de la machine peut ouvrir la porte aux accidents et entraîner une blessure.

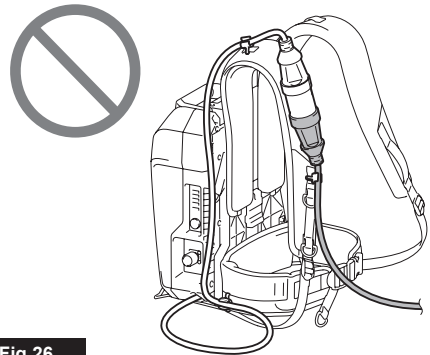


Fig.26

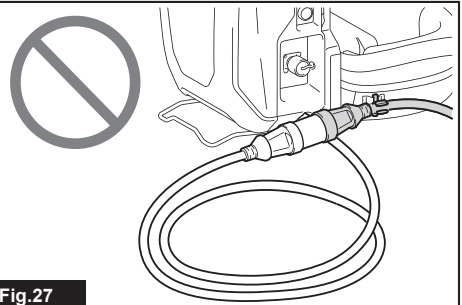


Fig.27

Vous pouvez fixer le cordon de la batterie aux supports de cordon tel qu'illustré sur la figure.

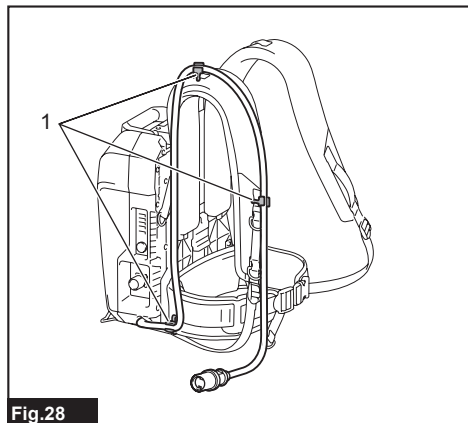


Fig.28

► 1. Support de cordon

Vous pouvez également fixer le cordon uniquement à l'aide du support de cordon de la ceinture de taille tel qu'indiqué sur la figure.

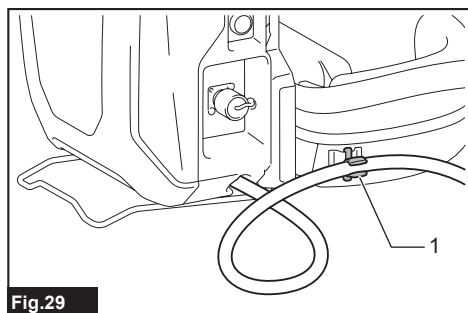


Fig.29

► 1. Support de cordon

Les supports de cordon peuvent être fixés du côté gauche ou droit de la sangle d'épaule et de la ceinture de taille.

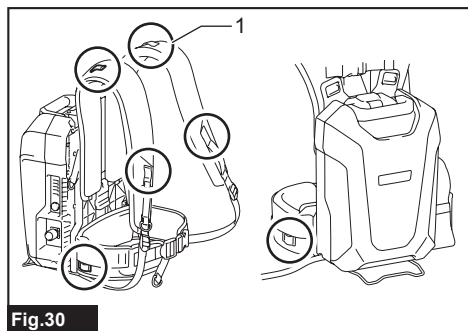


Fig.30

► 1. Partie à fixer au support de cordon

ATTENTION : Veuillez à ne fixer le cordon à la sangle d'épaule que du côté gauche ou du côté droit, de sorte que le cordon ne croise pas la sangle d'épaule.



Fig.31

Utilisation de la bande de suspension

Accessoire en option

ATTENTION : Avant l'utilisation, assurez-vous que la bande de suspension est fixée correctement à l'attache sur l'outil.

Vous pouvez utiliser la bande de suspension pour coupe herbe sans fil ou scie à long manche sans fil avec cet appareil.

Fixation de la bande de suspension

1. Fixez les crochets de la bande de suspension aux anneaux de la sangle d'épaule ou de la ceinture de taille tel qu'indiqué sur la figure. Sélectionnez le type de bande et la méthode de connexion qui conviennent à l'usage prévu.

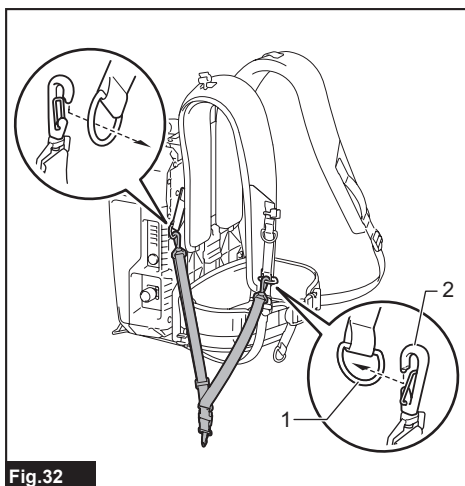


Fig.32

► 1. Anneau 2. Crochet

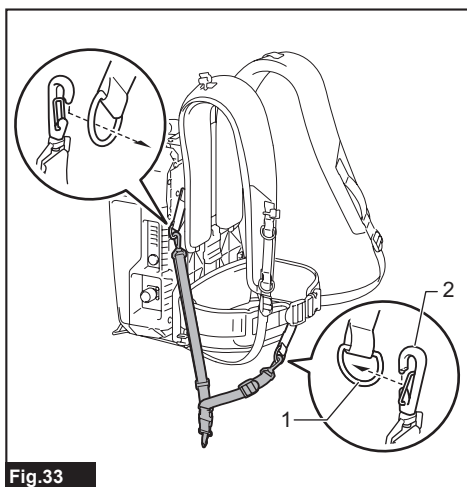


Fig.33

► 1. Anneau 2. Crochet

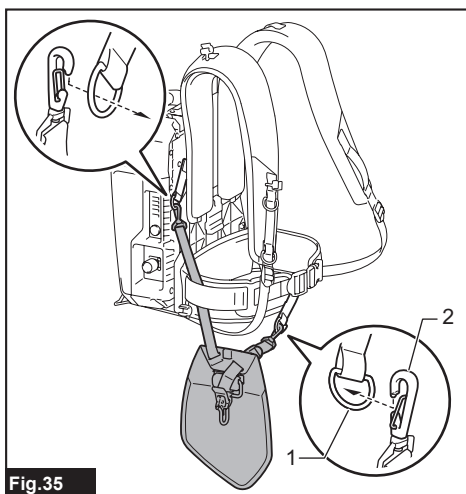


Fig.35

► 1. Anneau 2. Crochet

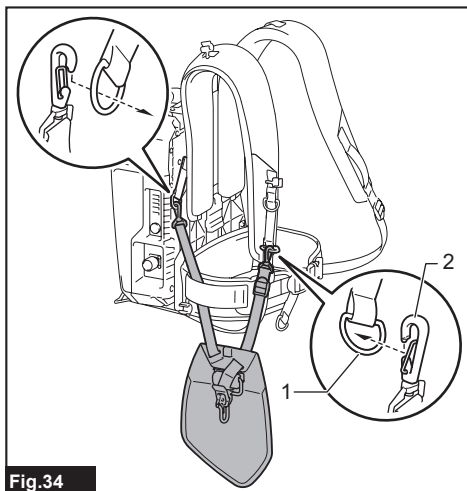


Fig.34

► 1. Anneau 2. Crochet

NOTE : Si l'outil est de type guidon de vélo, fixez la bande de sorte qu'elle passe à travers l'intérieur de la ceinture de taille tel qu'indiqué sur la figure.

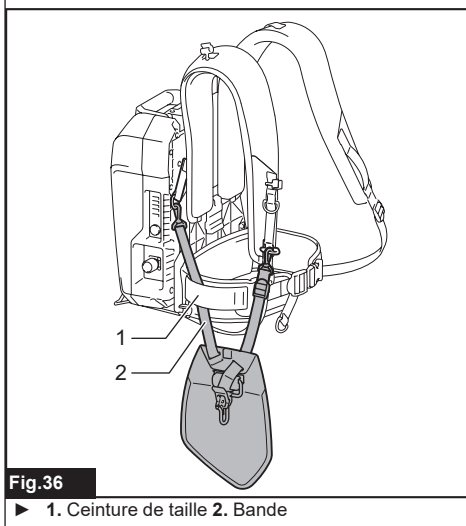


Fig.36

► 1. Ceinture de taille 2. Bande

- Fixez le crochet à l'outil.

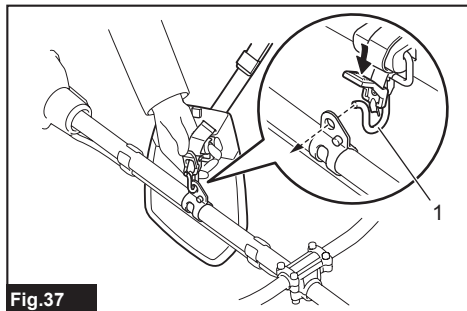


Fig.37

- Crochet

Retrait de l'outil

Enfoncez les leviers sur la boucle pour déverrouiller la boucle.

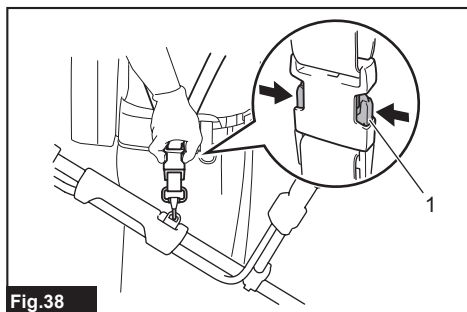


Fig.38

- Levier

NOTE : Il se peut qu'il n'y ait pas de boucle, suivant le type de bande.

Retrait d'urgence

- Enfoncez les leviers sur la boucle de la ceinture de taille pour déverrouiller la boucle.

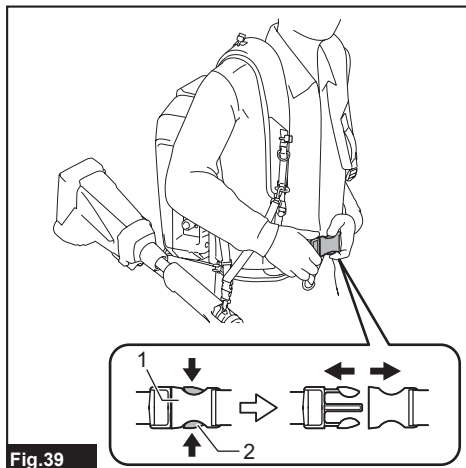


Fig.39

- Boucle 2. Levier

- Enlevez la sangle d'épaule pour libérer l'outil et l'appareil.

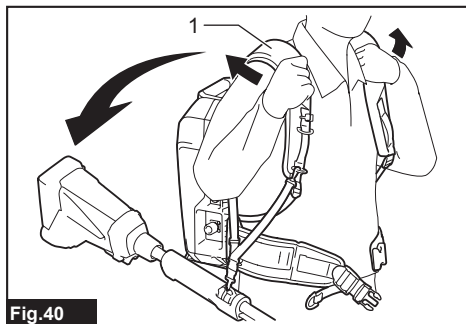


Fig.40

- Sangle d'épaule

ENTRETIEN

ATTENTION : Assurez-vous toujours que l'appareil est éteint avant d'effectuer l'inspection ou l'entretien.

AVIS : N'utilisez jamais d'essence, de benzine, de solvant, d'alcool ou autres produits similaires. Une décoloration, une déformation ou la formation de fissures peuvent en découler.

Pour maintenir la SÉCURITÉ et la FIABILITÉ du produit, les réparations et tout autre travail d'entretien ou de réglage doivent être effectués dans un centre de service après-vente autorisé ou une usine Makita, exclusivement avec des pièces de rechange Makita.

DÉPANNAGE

Avant de faire une demande de réparation, faites d'abord votre propre inspection. Si vous constatez un problème qui n'est pas expliqué dans le manuel, n'essayez pas de démonter l'outil, la machine ou l'appareil. Demandez plutôt à un centre de service après-vente Makita agréé de faire la réparation avec des pièces de rechange Makita.

État anormal	Témoin d'alimentation secteur	Cause	Solution
L'outil ou la machine ne démarre pas.	-	Le chargeur est connecté à l'appareil.	Retirez le chargeur de l'appareil.
	Le témoin s'allume en vert.	Les adaptateurs ne sont pas installés sur l'outil ou la machine.	Installez les adaptateurs sur l'outil ou la machine. Assurez-vous que les adaptateurs sont solidement installés.
		L'outil, la machine ou les cordons des adaptateurs surchauffent.	Laissez refroidir l'outil ou la machine, l'appareil et l'adaptateur. Une fois refroidi, coupez l'alimentation, puis réactivez-les.
		L'outil, la machine ou l'appareil est cassé.	Demandez à votre centre de service après-vente Makita agréé de le réparer.
	Le témoin clignote en vert.	La fiche de l'adaptateur, de l'outil électrique ou de la machine et la prise de la batterie ne sont pas connectées.	Connectez la fiche et la prise. Assurez-vous que la fiche et la prise sont solidement connectées.
		L'appareil est surchauffé ou sa température est basse.	Refroidissez ou réchauffez l'appareil.
		La charge restante de la batterie est insuffisante.	Chargez la batterie.
	Le témoin clignote alternativement en rouge et en vert.	L'appareil a détecté une anomalie.	Éteignez puis rallumez l'appareil.
		L'outil, la machine ou l'appareil est cassé.	Demandez à votre centre de service après-vente Makita agréé de le réparer.
	Le témoin ne s'allume pas.	L'appareil n'est pas allumé.	Allumez l'appareil.
		La charge restante de la batterie est insuffisante.	Chargez la batterie.
		L'appareil est cassé.	Demandez à votre Centre de service après-vente Makita agréé de le réparer.
La charge ne commence pas lorsque le chargeur est connecté.	Le témoin clignote en rouge.	L'appareil est surchauffé ou sa température est basse.	Refroidissez ou réchauffez l'appareil.
	Le témoin clignote alternativement en rouge et en vert.	L'appareil ou le chargeur a détecté une anomalie.	Retirez la prise du chargeur de batterie, puis reconnectez-la.
		L'appareil ou le chargeur est cassé.	Demandez à votre centre de service après-vente Makita agréé de le réparer.
	Le témoin ne s'allume pas.	Le chargeur n'est pas connecté à une source de tension C.A. adéquate.	Connectez le chargeur à une source de tension C.A. adéquate.
		La prise du chargeur n'est pas bien connectée.	Connectez la prise du chargeur correctement.
		Le cordon d'alimentation du chargeur n'est pas bien connecté au chargeur.	Connectez le cordon d'alimentation au chargeur correctement.
		L'appareil ou le chargeur est cassé.	Demandez à votre centre de service après-vente Makita agréé de le réparer.

ACCESSOIRES EN OPTION

⚠ ATTENTION : Ces accessoires ou pièces complémentaires sont recommandés pour l'utilisation avec l'outil Makita spécifié dans ce manuel. L'utilisation de tout autre accessoire ou pièce complémentaire peut comporter un risque de blessure. N'utilisez les accessoires ou pièces complémentaires qu'aux fins auxquelles ils ont été conçus.

Si vous désirez obtenir plus de détails sur ces accessoires, veuillez contacter le centre de service après-vente Makita le plus près.

- Chargeur Makita authentique
- Adaptateurs pour 36 V (18 V x 2)
- Adaptateur pour 36 V - 40 V max.
- Sangle d'épaule

NOTE : Certains éléments de la liste peuvent être inclus avec l'outil comme accessoires standards. Ils peuvent varier suivant les pays.

GARANTIE LIMITÉE MAKITA

Pour les conditions de garantie en vigueur qui s'appliquent à ce produit, veuillez vous reporter à la feuille de garantie en annexe. Si la feuille de garantie en annexe n'est pas disponible, reportez-vous aux détails de la garantie présentés sur le site Web de votre pays, ci-dessous.

États-Unis d'Amérique: www.makitatools.com

Canada: www.makita.ca

Autres pays: www.makita.com

ESPECIFICACIONES

Modelo:		PDC1200
Dimensiones (La x An x Al)		369 mm x 261 mm x 139 mm (14-1/2" x 10-1/4" x 5-1/2") *1
Tensión nominal		36 V - 40 V c.c. máx.
Capacidad de la batería		33,5 Ah
Tipo de batería		De iones de litio y recargable
Tiempo de carga		360 minutos
Peso neto	Batería	8,8 kg (19,4 lbs) *1
	Ensamblaje de arnés para hombros	1,6 kg (3,5 lbs) *2

*1. Sin ensamblaje de arnés para hombros, adaptadores y cargador.

*2. Sin bolsillo para adaptador

Cargador aplicable

- DC4001

⚠ADVERTENCIA: Utilice solo el cargador mencionado anteriormente. El uso de otros cargadores podría ocasionar una lesión o un incendio.

Uso pretendido

La unidad portátil de alimentación eléctrica es adecuada para largas jornadas de trabajo, ya que permite separar la batería y la herramienta o máquina.

Esta unidad se puede utilizar con las siguientes herramientas o máquinas.

- Herramienta o máquina inalámbrica de 36 V (18 V x 2)
- Herramienta o máquina inalámbrica de 36 V a 40 V máximo
- Herramienta o máquina inalámbrica (de conexión directa a una unidad portátil de alimentación eléctrica)

Acerca de este manual de instrucciones

El término "unidad" en este manual de instrucciones se refiere a la unidad portátil de alimentación eléctrica. La unidad portátil de alimentación eléctrica comprende la batería y el ensamblaje de arnés para hombros.

Categoría de herramientas o máquinas compatibles

- Electrosierra Inalámbrica *1
- Sierra de Extensión Inalámbrica
- Sopladora Inalámbrica
- Cortador Inalámbrico de Pasto
- Herramienta Multifuncional Inalámbrica
- Cortasetos Inalámbrico
- Esmeriladora Angular Inalámbrica
- Martillo Rotativo Inalámbrico *2
- Ahoyadora Inalámbrica
- Cortadora de Césped (solo para tipo conector)
- Adaptador USB

*1. Excepto para la sierra eléctrica con mango superior (DUC252 / DUC302 / DUC352 / DUC256 / DUC306 / DUC356 / DUC406 / DUC256C / XCU02 / XCU08 / XCU09)

*2. Excepto para los modelos DHR280 / DHR281 / DHR282 / DHR283 / XRH08 / XRH10 / XRH11

La categoría de herramientas o máquinas compatibles está sujeta a cambios sin previo aviso. Consulte el manual de instrucciones más reciente para obtener información sobre la categoría de herramientas o máquinas compatibles.

⚠ADVERTENCIA: Nunca utilice esta unidad con las herramientas o máquinas categorizadas a continuación. El uso de esta unidad con herramientas o máquinas no compatibles podría ocasionar lesiones personales o averías.

- Fumigador inalámbrico para jardín, Tijera de podar inalámbrica, Carretilla propulsada a batería, Bicicleta asistida por motor, Aspiradora de mochila a batería, Robot limpiador, Chamarra ventilada inalámbrica, Chamarra electro-térmica a batería

AVISO: Si usa el cordón de nailon cuando usa la unidad con los siguientes modelos, asegúrese de usar la herramienta en la siguiente combinación:

Modelo	DUR364L / DUR365U / DUR366L / DUR368A / DUR368L / DUX60 / XRU07 / XRU14 / XRU09 / XRU15 / XUX01
Herramienta de corte y diámetro de corte	Cabezal de corte de nailon con diámetro de corte de 350 mm (13-3/4")
Diámetro del cordón de nailon	2,0 mm (0,08")

*. El cabezal de corte de nailon no está disponible dependiendo de su área de residencia.

NOTA:
Para el modelo DUB362 / XBU02

En un entorno de alta temperatura, la máquina podría detenerse durante el funcionamiento debido al sistema de protección de la máquina.

ADVERTENCIAS DE SEGURIDAD

Advertencias de seguridad para la unidad portátil de alimentación eléctrica

⚠ ADVERTENCIA: Lea todas las advertencias de seguridad e instrucciones. El no seguir las advertencias e instrucciones podría ocasionar descargas eléctricas, incendios y/o lesiones graves.

1. Asegúrese de consultar el manual de instrucciones de la herramienta o máquina antes de usarla.
2. No levante o transporte esta unidad sosteniéndola solamente por el cable. No jale del cable de la unidad mientras la traiga puesta o la esté utilizando.
3. Antes de colocarse o retirarse la unidad, retire el enchufe hembra de la herramienta o máquina.
4. Cuando deje la herramienta o la máquina, asegúrese de retirar el enchufe hembra de la herramienta o la máquina, o retire la unidad de su cuerpo.
5. Tenga cuidado de no tropezarse con el cable durante la operación.
6. No utilice esta unidad sobre una superficie inestable o en lugares altos inestables.
7. Durante la operación, mantenga el cable lejos de los obstáculos. Podrían ocurrir lesiones graves si el cable queda atrapado entre obstáculos.
8. No inserte los adaptadores en el cargador.
9. Inspeccione la unidad, incluidos los cables y el arnés antes de utilizarlos. Si descubre daños en estos, solicite la reparación a su centro de servicio autorizado de Makita.
10. Al acoplar el cable en el sujetador de cable, asegúrese de colocarlo lenta y firmemente.
11. Asegúrese siempre de que la herramienta o máquina estén apagadas y que el enchufe hembra haya sido extraído, antes de intentar realizar una inspección o mantenimiento en la herramienta o máquina.
12. Cuando utilice esta unidad con una herramienta equipada con una cuchilla, asegúrese de mantener el cable alejado de la cuchilla.
13. Cuando traiga puesta la unidad, no se ponga nada, como el arnés de seguridad o la correa para el hombro, que podrían interferir con la función de separación de emergencia de la unidad.
14. No utilice esta unidad mientras sube por un árbol.
15. No utilice esta unidad mientras trae puesta una chamarra ventilada inalámbtrica o una chamarra electro-térmica a batería.
16. No exponga esta unidad a chispas.
17. Cuando utilice esta unidad sin traerla puesta o instale la unidad a la herramienta o a la máquina, asegúrese de que esté apoyada en un lugar estable.
18. No desarme, repare ni modifique la unidad.
19. Tenga cuidado de que el arnés o la correa no se enreden con la herramienta o con la máquina.
20. Cuando utilice la unidad, tenga cuidado de no cortar los cables con la herramienta o con la máquina.

21. Cuando pone erguida la unidad mediante el soporte de la batería, asegúrese de colocar la unidad sobre una superficie plana.
22. Mantenga objetos extraños, como virutas de metal y agua, lejos del enchufe de la unidad.
23. No utilice la herramienta o la máquina cerca de líneas de alta tensión.
24. Utilice el cargador específico para la unidad solamente. No utilice otros cargadores.
25. No dañe el estuche de la batería ni coloque nada sobre la unidad.
26. No se pare o se sienta sobre la unidad.
27. No transporte la unidad sujetándola del soporte de la batería o de la correa para ajuste de anchura.
28. Almacene la unidad en interiores.
29. No coloque ni fije nada entre la batería y el soporte de la batería.
30. No cuelgue nada del soporte de la batería.

Uso y cuidado de la herramienta a batería

1. Evite una puesta en marcha accidental. Asegúrese de que el interruptor esté en la posición apagada antes de conectar el paquete de baterías, levantar la herramienta o cargarla. Cargar la herramienta con su dedo en el interruptor o pasar energía a la herramienta con el interruptor encendido puede propiciar accidentes.
2. Desconecte el paquete de baterías de la herramienta antes de hacer cualquier ajuste, cambiar accesorios o almacenar la herramienta. Estas medidas de seguridad preventivas reducen el riesgo de poner en marcha la herramienta accidentalmente.
3. Recargue sólo con el cargador especificado por el fabricante. Un cargador que sea adecuado para un tipo específico de paquete de batería puede generar un riesgo de incendio al usarse con un paquete de batería distinto.
4. Use las herramientas o máquinas únicamente con los paquetes de batería designados específicamente para ellas. El uso de cualquier otro paquete de batería podría generar riesgo de lesión e incendio.
5. Cuando no se esté usando el paquete de batería, manténgalo alejado de otros objetos metálicos, como sujetapapeles (clips), monedas, llaves, clavos, tornillos u otros objetos pequeños de metal que puedan crear una conexión entre una terminal y otra. Causar un cortocircuito en las terminales de la batería puede provocar quemaduras o incendio.
6. En condiciones de mal uso, podría escapar líquido de la batería; evite el contacto. Si toca el líquido accidentalmente, enjuague con agua. Si hay contacto del líquido con los ojos, solicite atención médica. El líquido expulsado de la batería puede causar irritación o quemaduras.
7. No utilice un paquete de baterías o una herramienta que esté dañado/dañada o haya sido modificado/modificada. Las baterías dañadas o modificadas podrían comportarse de manera impredecible causando un incendio, explosión o riesgo de lesión.
8. No exponga un paquete de baterías o una herramienta al fuego o a una temperatura excesiva. La exposición al fuego a una temperatura superior a 130 °C (265 °F) podría causar una explosión.

9. **Siga todas las instrucciones relativas a la carga y no cargue el paquete de baterías o la herramienta fuera del rango de temperatura especificado en las instrucciones.** Cargar de manera inapropiada o a temperaturas fuera del rango especificado podría dañar la batería e incrementar el riesgo de incendio.
10. **Pida que el servicio lo realice un técnico en reparaciones calificado y que utilice únicamente piezas de repuesto idénticas a las originales.** Esto garantizará que se mantenga la seguridad del producto.
11. **No modifique ni intente reparar la herramienta ni el paquete de baterías salvo como se indique en las instrucciones para el uso y cuidado.**

Seguridad eléctrica y de la batería

1. **No arroje la(s) batería(s) al fuego.** La celda podría explotar. Consulte los códigos locales para ver si hay instrucciones especiales relativas al desecho.
2. **No abra ni dañe la(s) batería(s).** Los electrolitos liberados son corrosivos y pueden ocasionar daños en los ojos o la piel. Pueden ser tóxicos si se llegan a tragar.
3. **No cargue la batería bajo la lluvia ni en lugares mojados.**
4. **No cargue la batería en exteriores.**
5. **No manipule el cargador, incluida la la clavija del cargador, ni los terminales con las manos mojadas.**

Símbolos

A continuación se muestran los símbolos utilizados para la unidad.

V	volts o voltios
— — —	corriente directa o continua
Wh	Vatios por hora

Instrucciones importantes de seguridad para la batería

1. **Antes de utilizar la batería, lea todas las instrucciones e indicaciones de precaución sobre (1) el cargador de batería, (2) la batería, y (3) el producto con el que se utiliza la batería.**
2. **No desarme la batería.**
3. **Si el tiempo de operación se ha acortado en exceso, deje de operar de inmediato.** Podría correrse el riesgo de sobrecalentamiento, posibles quemaduras e incluso explosión.
4. **En caso de que ingresen electrolitos en sus ojos, enjuáguelos bien con agua limpia y consulte de inmediato a un médico.** Esto podría ocasionar pérdida de visión.
5. **No cortocircuite la batería:**
 - (1) **No toque las terminales con ningún material conductor.**
 - (2) **Evite guardar la batería en un cajón junto con otros objetos metálicos, tales como clavos, monedas, etc.**
 - (3) **No exponga la batería al agua o la lluvia.**

Un cortocircuito en la batería puede causar un flujo grande de corriente, sobrecalentamiento, posibles quemaduras e incluso una descompostura.

6. **No almacene ni utilice la herramienta/máquina y la batería en lugares donde la temperatura pueda alcanzar o exceder los 50 °C (122 °F).**
7. **Nunca incinere la batería incluso en el caso de que esté dañado seriamente o ya no sirva en absoluto.** La batería puede explotar si se tira al fuego.
8. **Tenga cuidado de no dejar caer ni golpear la batería.**
9. **No use una batería dañada.**
10. **Las baterías de ión de litio están sujetas a los requisitos reglamentarios en materia de bienes peligrosos.** Para el transporte comercial, por ej., mediante terceros o agentes de transporte, se deben tomar en cuenta los requisitos especiales relativos al empaque y el etiquetado. Para efectuar los preparativos del artículo que se va a enviar, se requiere consultar a un experto en materiales peligrosos. Si es posible, consulte además otras regulaciones nacionales más detalladas. Pegue o cubra con cinta adhesiva los contactos abiertos y empaque la batería de manera que ésta no pueda moverse dentro del paquete.
11. **Para deshacerse de la batería, sáquela de la herramienta y deséchela en un lugar seguro.** Siga las regulaciones locales relacionadas al desecho de las baterías.
12. **Utilice la batería únicamente con los productos especificados por Makita.** Instalar la batería en productos que no cumplan con los requisitos podría ocasionar un incendio, un calentamiento excesivo, una explosión o una fuga de electrolito.
13. **Si no se utiliza la herramienta/máquina por un período largo, debe extraerse la batería de la herramienta.**
14. **Mantenga la batería alejada de los niños.**

GUARDE ESTAS INSTRUCCIONES.

⚠PRECAUCIÓN: Utilice únicamente baterías originales de Makita. El uso de baterías no originales de Makita, o de baterías alteradas, puede ocasionar que las baterías exploten causando un incendio, lesiones personales y daños. Asimismo, esto invalidará la garantía de Makita para la herramienta y el cargador Makita.

Consejos para alargar al máximo la vida útil de la batería

1. **Cargue la batería antes de que se descargue completamente.** Pare siempre la operación y cargue la batería cuando note menos potencia en la herramienta/máquina.
2. **No recargue nunca una batería que esté completamente cargada.** La sobrecarga acortará la vida útil de la batería.
3. **Cargue la batería a una temperatura ambiente de 10 °C - 40 °C (50 °F - 104 °F).** Si una batería está caliente, déjela enfriar antes de cargarla.
4. **Cargue la batería si no va a utilizarla durante un período prolongado (más de seis meses).**

DESCRIPCIÓN DE LAS PIEZAS

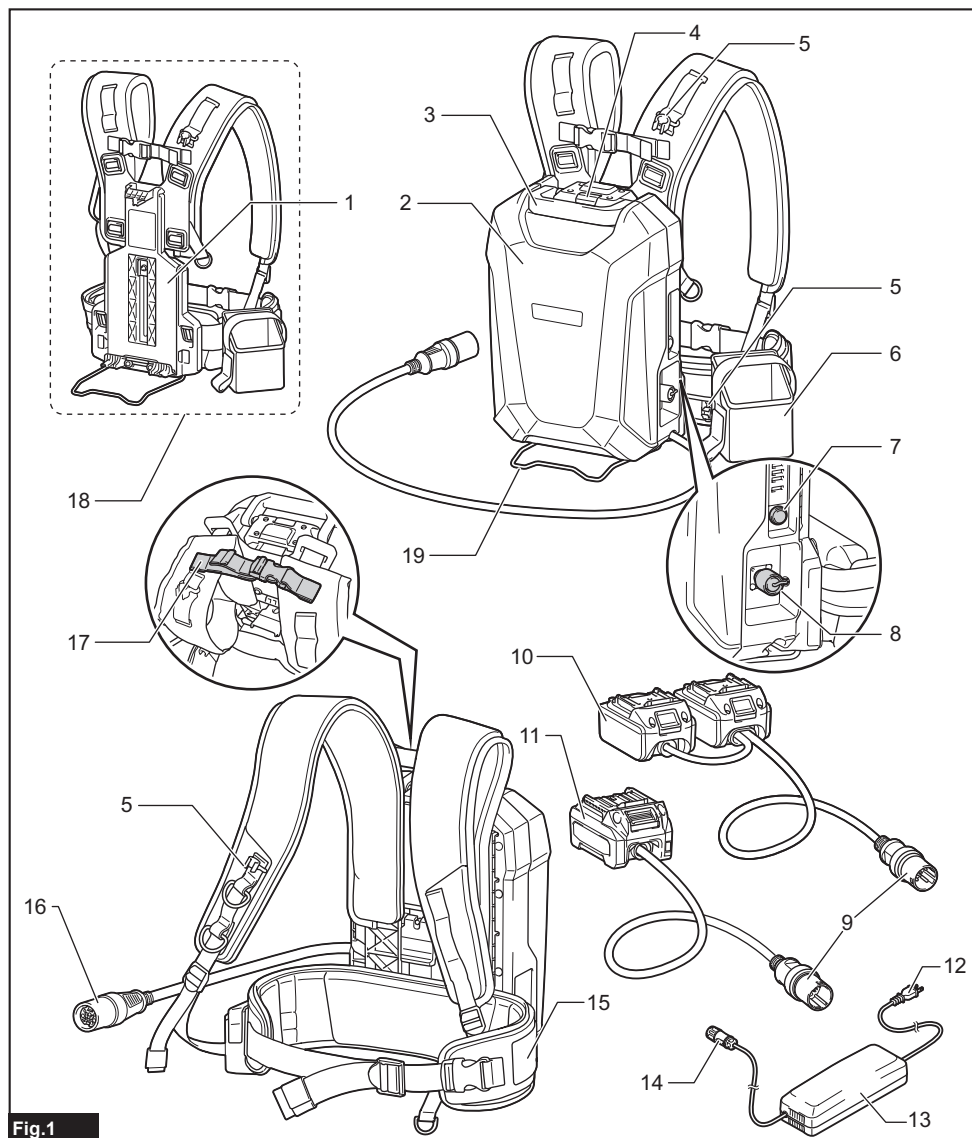


Fig.1

1	Placa de base	2	Batería	3	Mango	4	Botón de bloqueo
5	Sujetador de cable	6	Bolsillo para adaptador	7	Botón de encendido/apagado	8	Enchufe de la batería
9	Enchufe del adaptador	10	Adaptadores para 36 V (18 V x 2) (accesorio opcional)	11	Adaptador para 36 V a 40 V máximo (accesorio opcional)	12	Enchufe eléctrico del cargador de batería
13	Cargador de batería (accesorio opcional)	14	Enchufe hembra del cargador de batería	15	Cinturón	16	Enchufe hembra
17	Correa para ajuste de anchura	18	Ensamblaje de amés para hombros (accesorio opcional)	19	Soporte de la batería	-	-

DESCRIPCIÓN DEL FUNCIONAMIENTO

PRECAUCIÓN: Asegúrese siempre de apagar la unidad antes de ajustar o verificar el funcionamiento de la unidad.

Carga de la unidad

PRECAUCIÓN: Una vez que se completa la carga, asegúrese de quitar el enchufe eléctrico del cargador de batería de la fuente de voltaje CA y retire el enchufe hembra del cargador de batería y coloque la tapa de la batería.

AVISO: El cargador de batería es para cargar la unidad portátil de alimentación eléctrica de MAKITA solamente. Nunca lo utilice para otros propósitos o para las baterías de otros fabricantes.

AVISO: Cuando el cargador de batería está conectado a la unidad, la herramienta o la máquina no arrancan. En este caso, extraiga el cargador de batería de la unidad.

AVISO: Si la temperatura de la batería es baja o alta durante la carga, la carga podría detenerse. En este caso, espere hasta que la batería alcance la temperatura normal calentándola o dejándola enfriar, y luego reinicie la carga.

1. Retire la tapa de la batería girándola.

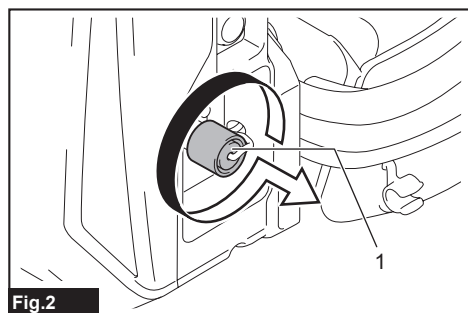


Fig.2

► 1. Tapa

2. Alinee la protuberancia en el enchufe hembra del cargador de batería con la contraparte en el enchufe de la unidad, y luego conecte el enchufe hembra al enchufe girando el primero.

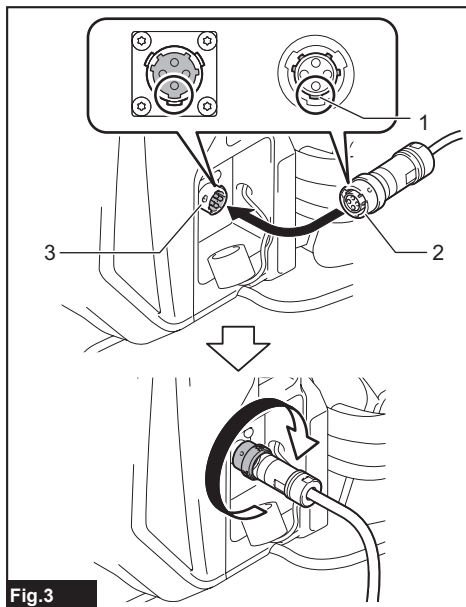


Fig.3

► 1. Protuberancia 2. Enchufe hembra 3. Enchufe

3. Conecte el enchufe eléctrico del cargador de batería a la fuente apropiada de voltaje CA.

4. Una vez que se completa la carga, quite el enchufe hembra del cargador de batería y luego coloque la tapa de la batería.

Durante la carga, la luz indicadora de alimentación principal se enciende en rojo y las luces indicadoras muestran la capacidad restante de la batería. Cuando se completa la carga, la luz indicadora de alimentación principal y las luces indicadoras se apagan.

Luz indicadora de alimentación principal	Luces indicadoras			Capacidad restante
	Iluminadas	Apagadas	Parpadeando	
■	■ ■ ■ ■	□ □ □ □	▧	Cargando (75% a 100%)
■	■ ■ ■	□ □ □	▧ □	Cargando (50% a 75%)
■	■ ■	□ □ □	▧ □ □	Cargando (25% a 50%)
■	■	□ □ □	▧ □ □ □	Cargando (0% a 25%)

Botón de encendido/apagado e indicador de batería

⚠ PRECAUCIÓN: Asegúrese de que la herramienta o máquina esté apagada, antes de encender la unidad. De lo contrario, la herramienta o máquina podría arrancar súbitamente y ocasionar una lesión.

NOTA: Si enciende la herramienta o la máquina justo después de encender la unidad, la herramienta o máquina podrían no arrancar. En esta situación, reinicie la herramienta o la máquina nuevamente.

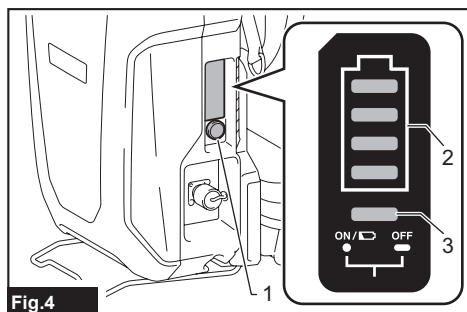


Fig.4

► 1. Botón de encendido/apagado 2. Luz indicadora 3. Luz indicadora de alimentación principal

Para el encendido, oprima el botón de encendido/apagado. La luz indicadora de alimentación principal se iluminará en verde. Para apagar la unidad, oprima el botón de encendido/apagado durante unos segundos.

NOTA: Si la unidad y la herramienta o máquina conectada se dejan desatendidas durante 8 horas, la unidad se apaga automáticamente.

La luz indicadora de alimentación principal parpadea en color verde en una de las siguientes condiciones:

- El enchufe del adaptador o de la herramienta eléctrica/máquina no están conectados al enchufe hembra de la unidad. En este caso, conecte el enchufe del adaptador o de la herramienta eléctrica/máquina al enchufe hembra de la unidad.
- La batería se ha agotado. En este caso, cargue la unidad.
- La batería se sobrecalienta o la temperatura de la unidad es baja. En este caso, deje enfriar la unidad o caliente la unidad.

Si la luz indicadora de alimentación principal parpadea en color verde y rojo alternadamente, apague la alimentación y enciéndala. Si la luz indicadora de alimentación principal sigue parpadeando en color verde y rojo alternadamente después de encender la alimentación, solicite la reparación a su centro de servicio autorizado de Makita.

Indicación de capacidad restante de la batería

Oprima el botón de encendido/apagado en la unidad para indicar la capacidad restante de la batería. Las luces indicadoras se iluminarán por aproximadamente 5 segundos.

Luces indicadoras			Capacidad restante
Iluminadas	Apagadas	Parpadeando	
■ ■ ■ ■			75% a 100%
■ ■ ■ □			50% a 75%
■ ■ □ □			25% a 50%
■ □ □ □			0% a 25%
▣ □ □ □			Cargue la batería.
■ □ □ □			La batería pudo haber funcionado mal.
□ □ ■ ■			

NOTA: Dependiendo de las condiciones de uso y la temperatura ambiente, la indicación podrá diferir ligeramente de la capacidad real.

NOTA: Si la herramienta o la máquina tienen luces indicadoras para la capacidad restante de la batería, no eche un vistazo a las luces indicadoras de la herramienta o la máquina, sino a las luces indicadoras de esta unidad.

NOTA: Si parpadean varias luces indicadoras, significa que la batería se sobrecalentó. En este caso, deje enfriar la batería.

Sistema de protección de la herramienta/máquina/batería

La herramienta o máquina está equipada con un sistema de protección de la herramienta/máquina y batería. Este sistema corta automáticamente la alimentación al motor para prolongar la vida de la herramienta o máquina y la batería. La herramienta o máquina se detendrá automáticamente durante la operación si la herramienta, la máquina o la batería se someten a una de las siguientes condiciones.

Protección contra sobrecarga

Cuando la herramienta, máquina o batería sean utilizadas de una manera que cause que consuman una cantidad inusualmente alta de corriente, la herramienta o máquina se detendrá automáticamente. En esta situación, apague la herramienta o máquina y detenga la aplicación que haya causado que la herramienta o máquina se sobrecargara. Luego encienda la herramienta o máquina para volver a arrancarla.

Protección contra sobrecalentamiento

Cuando la herramienta, máquina o la batería se sobrecalienten, la herramienta o máquina se detendrá automáticamente. En este caso, permita que la herramienta o máquina y la batería se enfríen antes de volver a encender la herramienta o máquina.

Protección en caso de sobredescarga

Cuando la capacidad de la batería no sea suficiente, la herramienta o máquina se detendrá automáticamente y una luz indicadora parpadeará cuando usted oprima el botón de encendido/apagado. En este caso, extraiga la batería de la herramienta o máquina y cárguela.

Luz indicadora de batería baja del adaptador para 36 V a 40 V máximo

Accesorio opcional

Este adaptador cuenta con la luz indicadora, la cual le avisa la baja o nula capacidad de la batería.

Cuando la luz indicadora está parpadearando, la capacidad de la batería restante se reduce.

Cuando se enciende la luz indicadora, se agota la capacidad de la batería o se activa el sistema de protección de batería.

NOTA: Cuando utilice la herramienta/máquina de manera continua, la herramienta/máquina podría detenerse automáticamente sin que la luz indicadora parpadee.

NOTA: El tiempo que transcurre cuando parpadea la luz indicadora varía dependiendo de la temperatura ambiente y del estado de la batería.

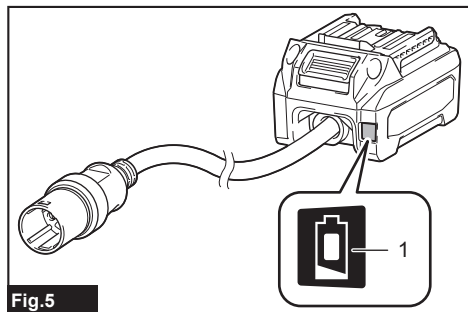


Fig.5

► 1. Luz indicadora de batería baja

Uso del bolsillo para adaptador

PRECAUCIÓN: No utilice esta unidad con el cable fijo mediante el sujetador de enganche y cierre del bolsillo para adaptador.

Puede poner los adaptadores dentro del bolsillo para adaptador, tal como se muestra en la ilustración.

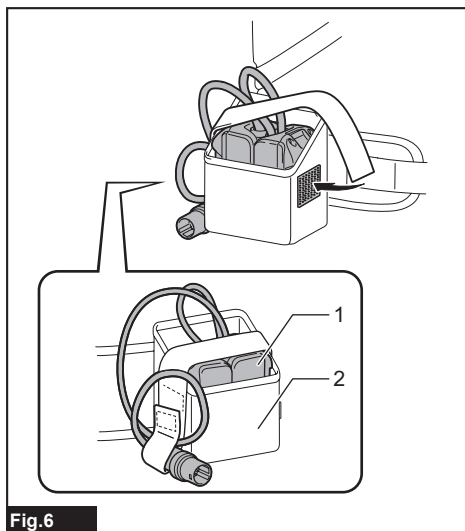


Fig.6

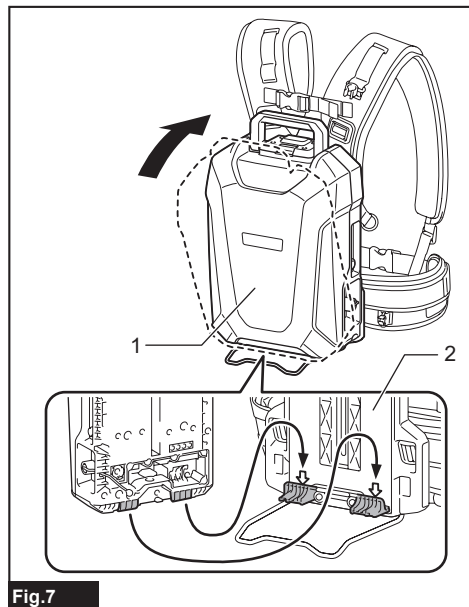
► 1. Adaptador 2. Bolsillo para adaptador

MONTAJE

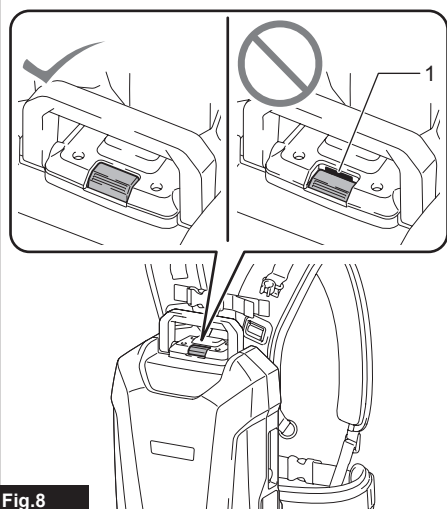
⚠PRECAUCIÓN: Asegúrese siempre de que la unidad esté apagada antes de realizar cualquier trabajo en la unidad.

Ensamble de la unidad

1. Acople la batería a la placa de base del ensamblaje de arnés para hombros, tal y como se ilustra en la figura.

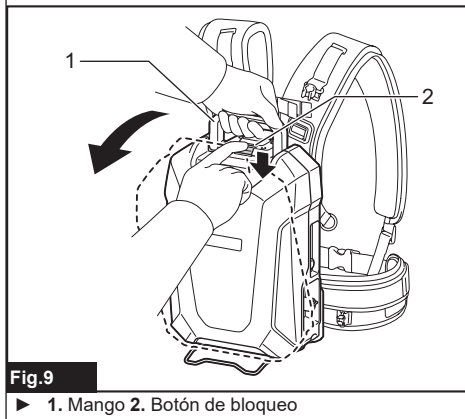


⚠PRECAUCIÓN: Asegúrese de que la batería esté bien fijada a la placa de base. De lo contrario, la batería podría caerse cuando porte la unidad o utilice la unidad y ocasionar una lesión. Si puede ver el indicador rojo como se muestra en la figura, la batería no ha quedado asegurada por completo.



⚠PRECAUCIÓN: Cuando coloque la batería, tenga cuidado de no pellizcar sus dedos o los pulgares entre la batería y la placa de base.

⚠PRECAUCIÓN: Cuando extraiga la batería, oprima el botón de bloqueo mientras sostiene el mango con firmeza. Antes de extraer la batería, ponga el cinturón en la posición más baja.



2. Ajuste la posición del cinturón. Levante la lengüeta para ajuste de altura, luego ajuste la posición del cinturón deslizando la placa de base y luego regrese la lengüeta.

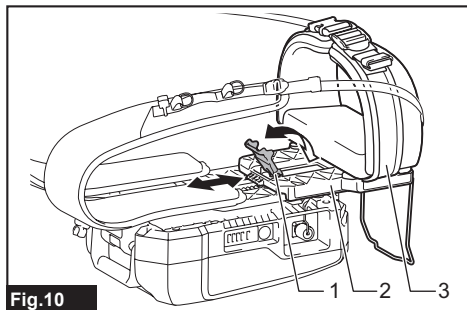


Fig.10

► 1. Lengüeta para ajuste de altura 2. Placa de base 3. Cinturón

PRECAUCIÓN: Cuando ajuste la posición del cinturón, asegúrese de acostar la unidad para que la batería quede volteada hacia abajo como se muestra en la figura.

AVISO: Si la lengüeta para ajuste de altura está floja, apriete la tuerca de la lengüeta para ajuste de altura. Cuando apriete la tuerca, no la apriete en exceso. De lo contrario, la lengüeta para ajuste de altura no se moverá.

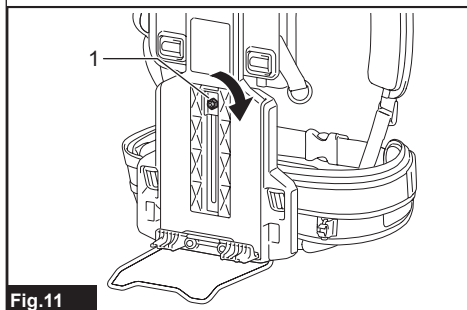


Fig.11

► 1. Tuerca

NOTA: Si es difícil deslizar la placa de base, levante la parte inferior de la batería ligeramente, para que la base no toque el suelo, y luego deslice la placa de base.

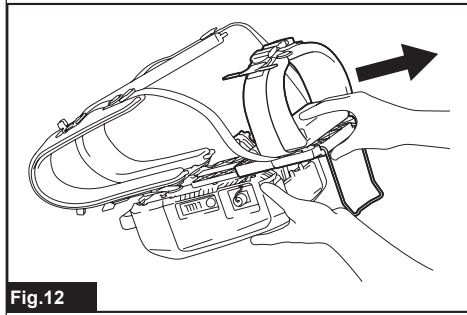


Fig.12

3. Acople el bolsillo para adaptador en el cinturón con el sujetador de enganche y cierre, tal y como se ilustra en la figura.

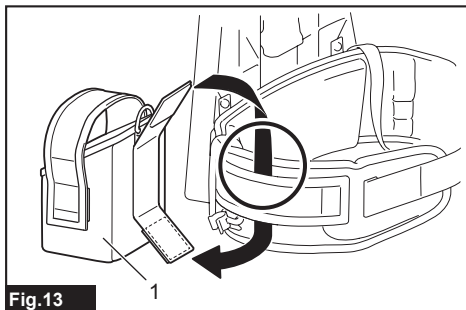


Fig.13

► 1. Bolsillo para adaptador

NOTA: El bolsillo para adaptador puede acoplarse ya sea en el lado izquierdo o derecho del cinturón.

4. Ajuste la anchura del arnés para hombros mediante la correa para ajuste de anchura.

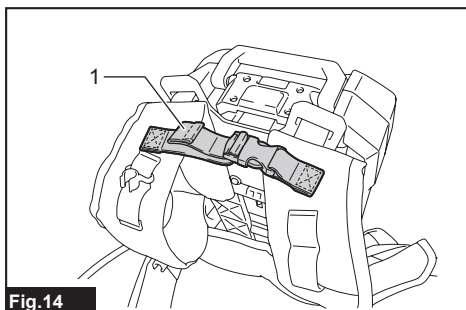


Fig.14

► 1. Correa para ajuste de anchura

5. Póngase la unidad encima y luego cierre la hebilla del cinturón, y posteriormente ajuste la longitud del cinturón.

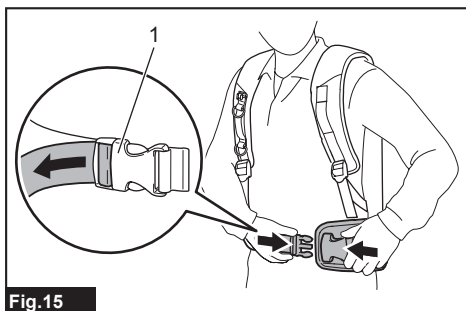


Fig.15

► 1. Hebilla

NOTA: Puede doblar y fijar la correa con el sujetador de enganche y cierre, tal y como se ilustra en la figura.

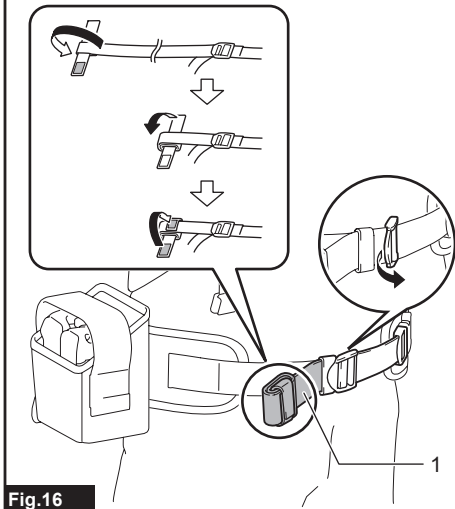


Fig.16

► 1. Correa

6. Ajuste la longitud del arnés para hombros.

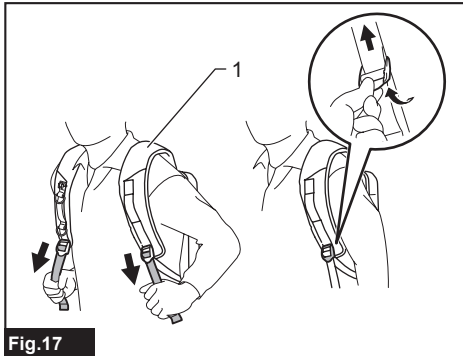


Fig.17

► 1. Arnés para hombros

NOTA: Puede doblar y fijar la correa con el sujetador de enganche y cierre, tal y como se ilustra en la figura.

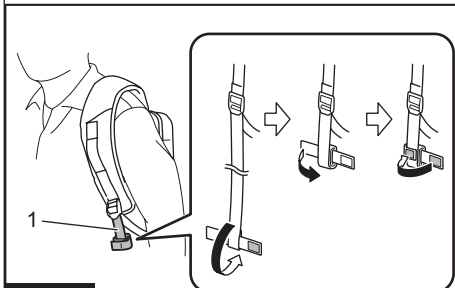


Fig.18

► 1. Correa

PRECAUCIÓN: Cuando ponga abajo la unidad, colóquela sobre una superficie plana y estable, para que la unidad no se caiga.

Quando ponga abajo la unidad, abra la hebilla del cinturón, y posteriormente ponga abajo la unidad lentamente.

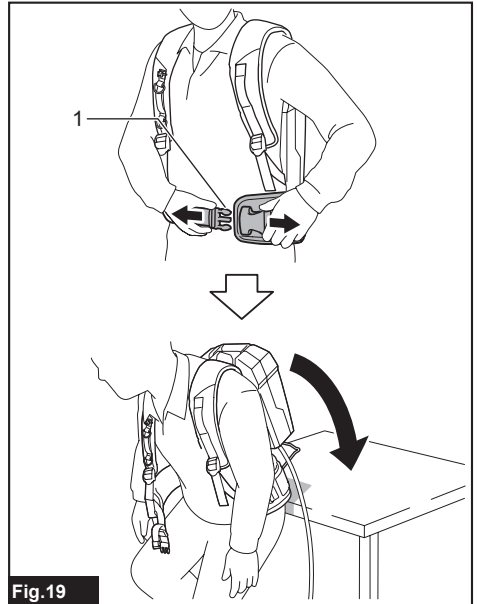


Fig.19

► 1. Hebilla

OPERACIÓN

PRECAUCIÓN: Cuando lleve puesta la unidad, asegúrese de colocar el arnés para hombros en ambos hombros. De lo contrario, la unidad podría caerse mientras la lleva puesta o la utiliza, y ocasionar una lesión.

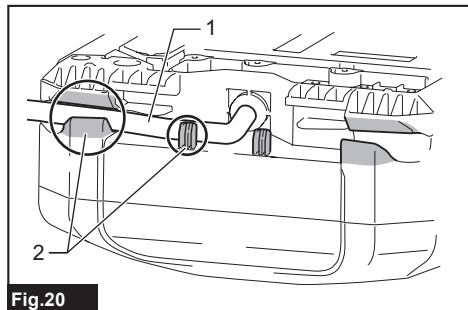
PRECAUCIÓN: Cuando lleve puesta la unidad, asegúrese de colocar la unidad sobre su espalda. De lo contrario, la unidad podría caerse durante la operación y ocasionar una lesión.

PRECAUCIÓN: Apague siempre la herramienta o la máquina antes de encender la unidad o de conectar el enchufe del adaptador o de la herramienta eléctrica/máquina al enchufe hembra de la batería. De lo contrario, la herramienta o máquina podría arrancar súbitamente y ocasionar una lesión.

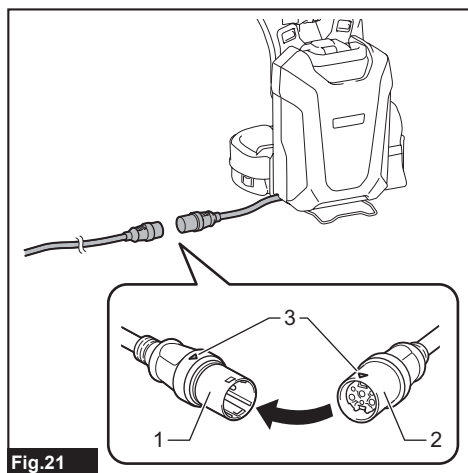
NOTA: El adaptador para 18 V no está disponible para esta unidad.

Conexión de la unidad a la herramienta o máquina

1. Extraiga la batería de la placa de base del ensamblaje de arnés para hombros.
2. Jale hacia afuera el cable ya sea del lado izquierdo o derecho de la batería. Cuando jale el cable hacia afuera, asegúrese de fijar el cable en los sujetadores tal como se muestra en la figura.



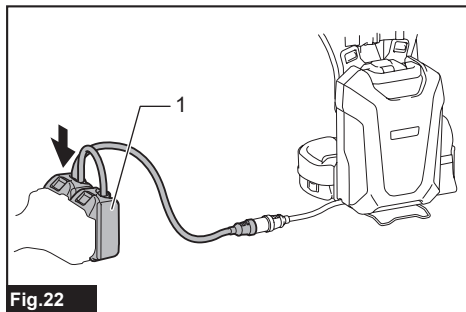
3. Acople la batería a la placa de base del ensamblaje de arnés para hombros.
4. Colóquese la unidad.
5. Inserte el enchufe del adaptador o de la herramienta eléctrica/máquina en el enchufe hembra de la batería completamente, hasta que la marca de flecha del enchufe quede alineada con la del enchufe hembra.



AVISO: Al desconectar el enchufe y el enchufe hembra, no sujete los cables, sino el enchufe y el enchufe hembra. De lo contrario, los cables podrían dañarse y ocasionar una avería de la unidad.

NOTA: El enchufe y el enchufe hembra se desconectarán si se aplica cierta presión sobre ellos.

6. Instale los adaptadores a la herramienta o máquina, de la misma manera que el cartucho de batería.



AVISO: Para una herramienta o máquina inalámbrica de 36 V (18 V x 2), use los adaptadores para 36 V (18 V x 2). Para una herramienta o máquina inalámbrica de 36 V a 40 V máximo, use el adaptador para 36 V a 40 V máximo. Para una herramienta o máquina de tipo conexión directa, no se requiere adaptador.

AVISO: Cuando instale adaptadores a la herramienta o la máquina, asegúrese de instalar el adaptador equipado con dos cables en la ubicación que se muestra en la figura.

Si instala los adaptadores incorrectamente, el adaptador equipado con dos cables no se podrá insertar por completo. En este caso, no inserte el adaptador forzosamente. De lo contrario, la herramienta o máquina podrían dañarse.

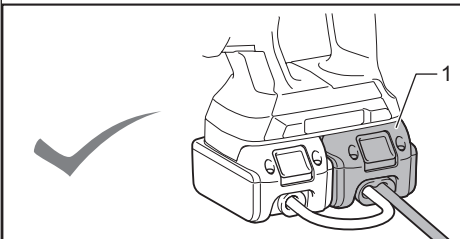


Fig.23

► 1. Adaptador con dos cables

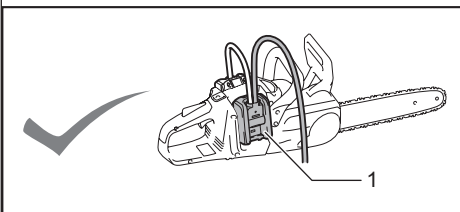


Fig.24

► 1. Adaptador con dos cables

NOTA: La dirección del cable del adaptador se puede cambiar en el rango de aproximadamente 180 grados.

7. Oprima el botón de encendido/apagado para encender la unidad. Para apagar la unidad, oprima el botón de encendido/apagado durante unos segundos.

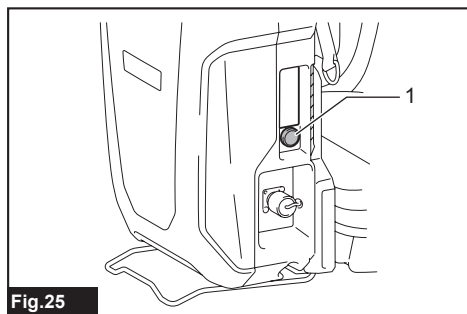


Fig.25

► 1. Botón de encendido/apagado

Uso de los sujetadores de cable

PRECAUCIÓN: Coloque solamente el cable de la batería en los sujetadores de cable. No coloque el cable de los adaptadores o la herramienta eléctrica/máquina en los sujetadores de cable. Colocar el cable de los adaptadores o de la herramienta eléctrica/máquina podría abrir la posibilidad a un accidente y causar una lesión.

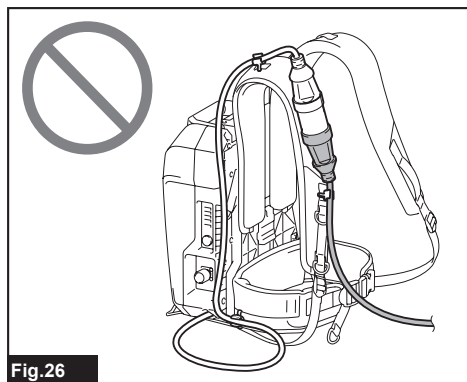


Fig.26

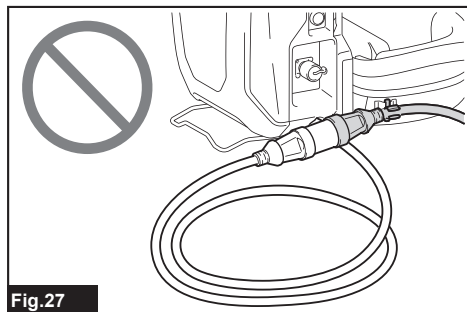


Fig.27

Puede colocar el cable de la batería en los sujetadores de cable, tal y como se muestra en la ilustración.

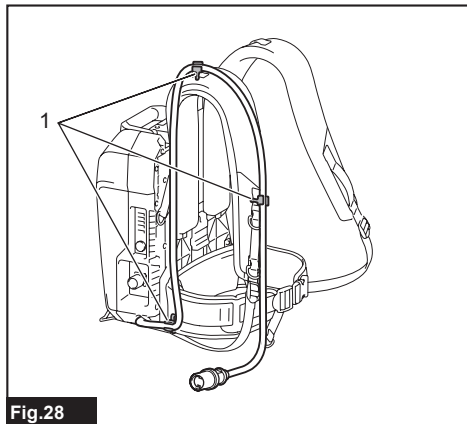


Fig.28

► 1. Sujetador de cable

También puede poner el cable usando solamente el sujetador de cable del cinturón, tal como se muestra en la ilustración.

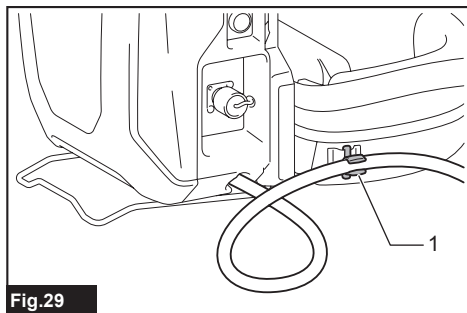


Fig.29

► 1. Sujetador de cable

Los sujetadores de cable pueden colocarse ya sea en el lado izquierdo o derecho del arnés para hombros y del cinturón.

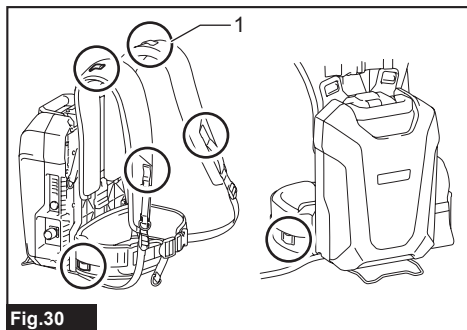


Fig.30

► 1. Parte a colocarse en el sujetador de cable

⚠PRECAUCIÓN: Asegúrese de sujetar el cable al arnés para hombros en el lado izquierdo o en el lado derecho solamente, para que el cable no cruce el arnés para hombros.

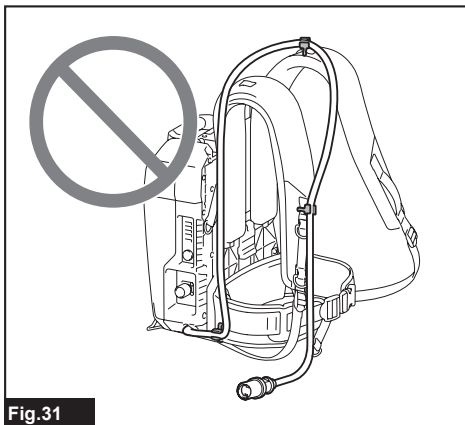


Fig.31

Uso de la banda para colgado

Accesorio opcional

⚠PRECAUCIÓN: Antes de la operación, asegúrese de que la banda para colgado esté colocada correctamente al colgador en la herramienta.

Puede usar la banda para colgado para el cortador inalámbrico de pasto o la sierra de extensión inalámbrica con esta unidad.

Acoplamiento de la banda para colgado

1. Acople los ganchos de la banda para colgado a los anillos del arnés para hombros o del cinturón, tal y como se ilustra en la figura. Seleccione el tipo de banda y el método de conexión apropiado para su uso.

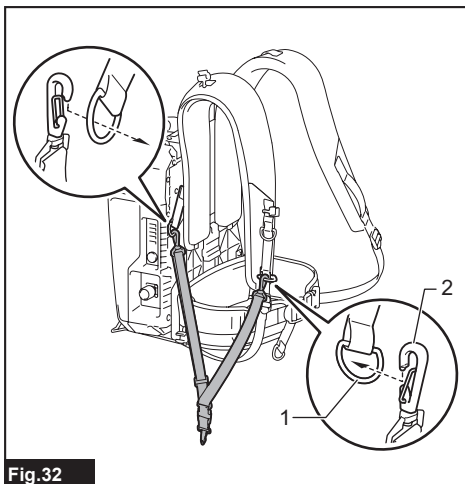
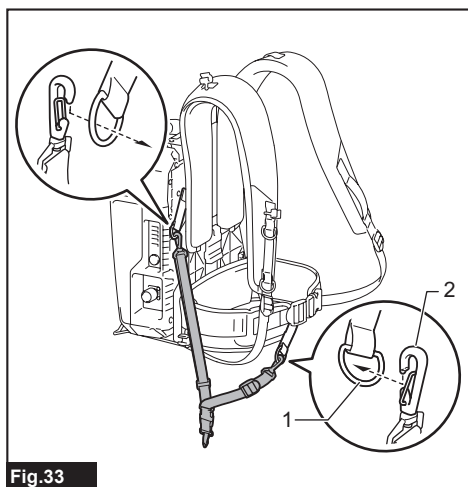
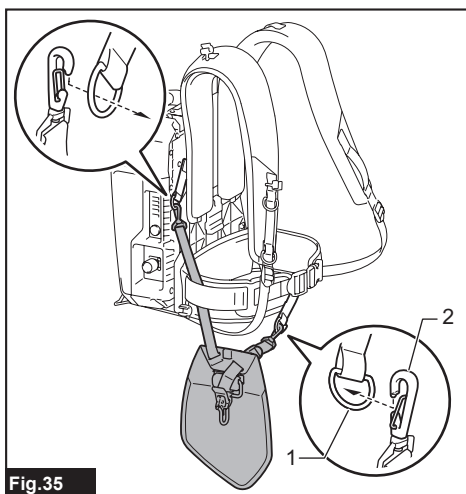


Fig.32

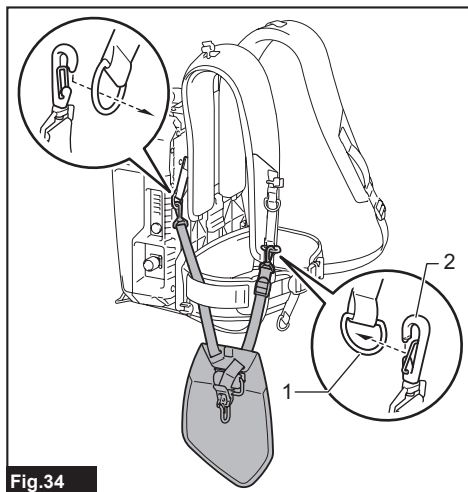
► 1. Anillo 2. Gancho



► 1. Anillo 2. Gancho

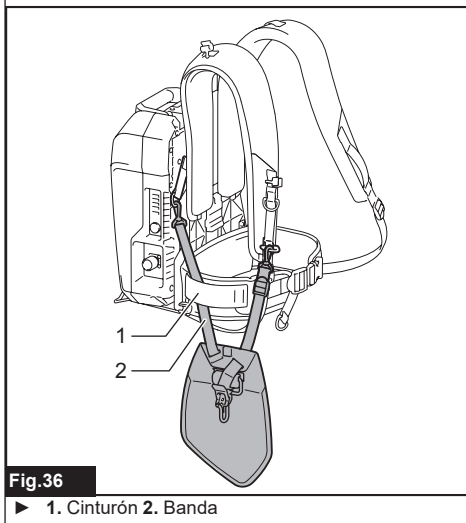


► 1. Anillo 2. Gancho



► 1. Anillo 2. Gancho

NOTA: Si la herramienta es del tipo de manija de bicicleta, coloque la banda de manera que ésta pase a través del interior del cinturón, tal como se muestra en la ilustración.



► 1. Cinturón 2. Banda

2. Acople el gancho a la herramienta.

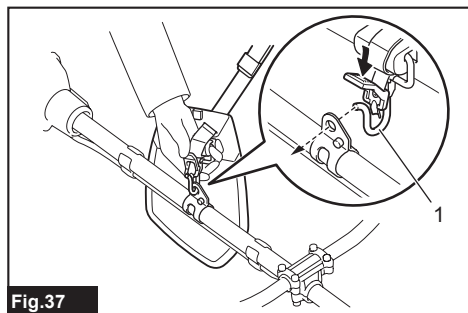


Fig.37

- ▶ 1. Gancho

Desacople de la herramienta

Oprima las lengüetas en la hebilla para desbloquearla.

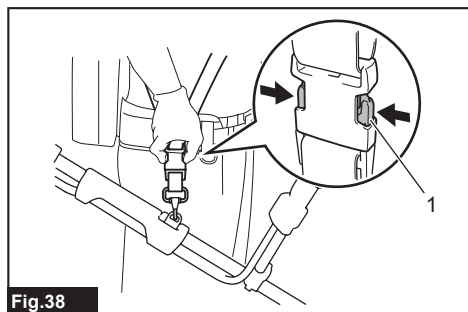


Fig.38

- ▶ 1. Lengüeta

NOTA: La hebilla no se suministra, dependiendo del tipo de banda.

Desacople de emergencia

1. Oprima las lengüetas en la hebilla del cinturón para desbloquearla.

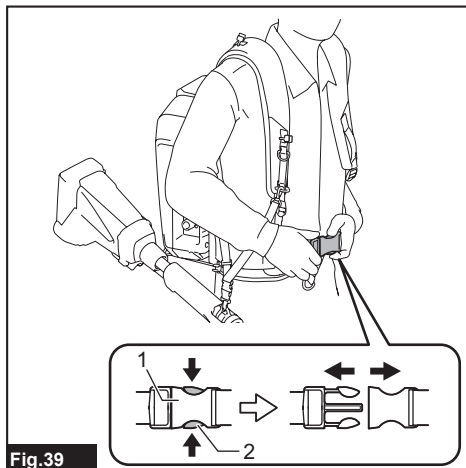


Fig.39

- ▶ 1. Hebilla 2. Lengüeta

2. Quítese el arnés para hombros para liberar la herramienta y la unidad.

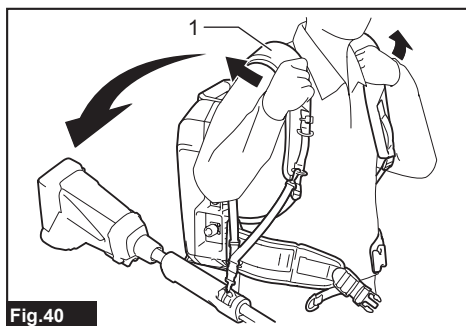


Fig.40

- ▶ 1. Arnés para hombros

MANTENIMIENTO

⚠PRECAUCIÓN: Asegúrese siempre de que la unidad esté apagada antes de intentar realizar un trabajo de inspección o mantenimiento.

AVISO: Nunca use gasolina, bencina, diluyente (tíner), alcohol o sustancias similares. Puede que esto ocasione grietas o descoloramiento.

Para mantener la SEGURIDAD y FIABILIDAD del producto, las reparaciones, y cualquier otra tarea de mantenimiento o ajuste deberán ser realizadas en centros de servicio autorizados o de fábrica Makita, empleando siempre repuestos Makita.

RESOLUCIÓN DE PROBLEMAS

Antes de solicitar alguna reparación, primero realice una inspección por su cuenta. Si detecta algún problema que no esté explicado en el manual, no intente desensamblar la herramienta, la máquina o la unidad. En vez de esto, solicite la reparación a un centro de servicio autorizado de Makita, usando siempre piezas de repuesto Makita.

Estado de la anomalía	Luz indicadora de alimentación principal	Causa	Solución
La herramienta o máquina no arranca.	-	El cargador está conectado a la unidad.	Retire el cargador de la unidad.
	La luz se ilumina en color verde.	Los adaptadores no están instalados a la herramienta o máquina.	Instale los adaptadores a la herramienta o máquina. Verifique que los adaptadores estén instalados firmemente.
		La herramienta o máquina o los cables de los adaptadores están demasiado calientes.	Permita que la herramienta o máquina, la unidad y el adaptador se enfríen. Después de enfriarse, apague y enciéndala nuevamente.
		La herramienta o máquina o la unidad están rotas.	Solicite la reparación a un centro de servicio autorizado de Makita.
	La luz parpadea en verde.	El enchufe del adaptador o herramienta eléctrica/máquina y el enchufe hembra de la batería no están conectados.	Conecte el enchufe y el enchufe hembra. Verifique que el enchufe y el enchufe hembra estén conectados firmemente.
		La unidad se sobrecalienta o la temperatura de la unidad es baja.	Deje enfriar la unidad o caliente la unidad.
		La capacidad restante de la batería no es suficiente.	Cargue la batería.
	La luz parpadea en color rojo y verde alternadamente.	La unidad ha detectado una anomalía.	Apague la unidad y vuélvala a encender.
		La herramienta o máquina o la unidad están rotas.	Solicite la reparación a un centro de servicio autorizado de Makita.
	La luz no se enciende.	La unidad no se enciende.	Encienda la unidad.
		La capacidad restante de la batería no es suficiente.	Cargue la batería.
		La unidad está averiada.	Solicite la reparación a un centro de servicio autorizado de Makita.
La carga no inicia cuando el cargador está conectado.	La luz parpadea en rojo.	La unidad se sobrecalienta o la temperatura de la unidad es baja.	Deje enfriar la unidad o caliente la unidad.
	La luz parpadea en color rojo y verde alternadamente.	La unidad o cargador ha detectado una anomalía.	Retire el enchufe hembra del cargador de batería y luego conéctelo de nuevo.
		La unidad o cargador está averiada.	Solicite la reparación a un centro de servicio autorizado de Makita.
	La luz no se enciende.	El cargador no está conectado a la fuente apropiada de voltaje CA.	Conecte el cargador a la fuente apropiada de voltaje CA.
		El enchufe hembra del cargador no está conectado adecuadamente.	Conecte el enchufe hembra del cargador adecuadamente.
		El cable de alimentación del cargador no está conectado al cargador adecuadamente.	Conecte el cable de alimentación al cargador adecuadamente.
		La unidad o cargador está averiada.	Solicite la reparación a un centro de servicio autorizado de Makita.

ACCESORIOS OPCIONALES

⚠ PRECAUCIÓN: Estos accesorios o aditamentos están recomendados para utilizarse con su herramienta Makita especificada en este manual.

El empleo de cualquier otro accesorio o aditamento puede conllevar el riesgo de lesiones personales. Utilice los accesorios o aditamentos solamente para su fin establecido.

Si necesita cualquier ayuda para más detalles en relación con estos accesorios, pregunte a su centro de servicio local Makita.

- Cargador original de Makita
- Adaptadores para 36 V (18 V x 2)
- Adaptador para 36 V a 40 V máximo
- Arnés para hombros

NOTA: Algunos de los artículos en la lista pueden incluirse en el paquete de la herramienta como accesorios estándar. Éstos pueden variar de país a país.

GARANTÍA LIMITADA DE MAKITA

Ésta Garantía no aplica para México

Consulte la hoja de la garantía anexa para ver los términos más vigentes de la garantía aplicable a este producto. En caso de no disponer de esta hoja de garantía anexa, consulte los detalles sobre la garantía descritos en el sitio web de su país respectivo indicado a continuación.

Estados Unidos de América: www.makitatools.com

Canadá: www.makita.ca

Otros países: www.makita.com

Makita Corporation
3-11-8, Sumiyoshi-cho,
Anjo, Aichi 446-8502 Japan
www.makita.com

885807C938
PDC1200-1
EN, FRCA, ESMX
20210713