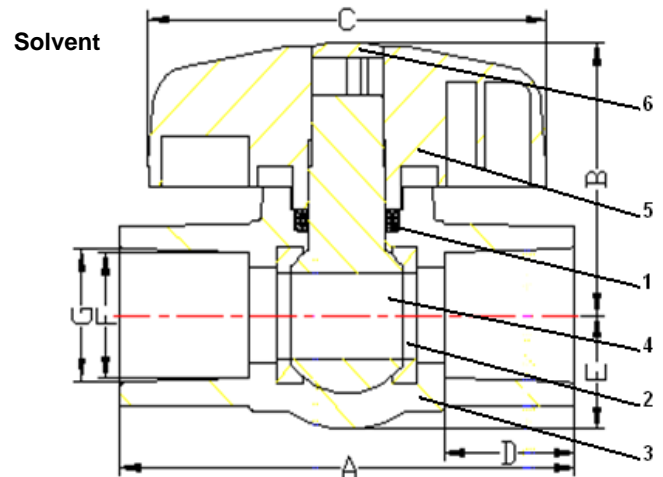
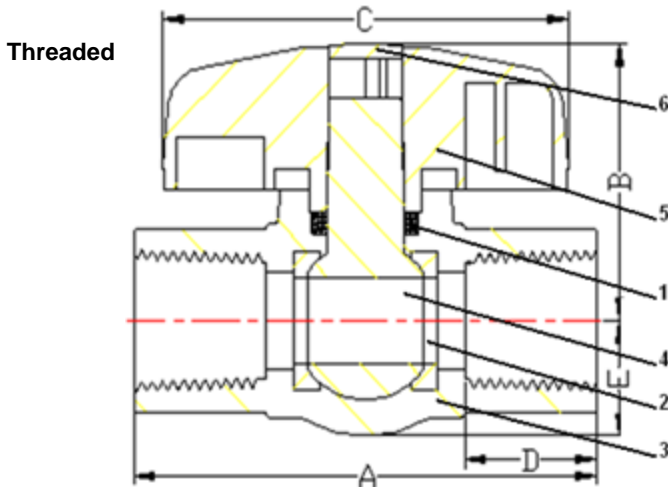


770N PVC Ball Valve - Economy • Spec Sheet



FEATURES & BENEFITS

- 150 PSI @ 73 Deg. F.
- Economy Pattern
- White Color
- Fits Sch. 40 & Sch. 80 Pipe
- Threaded or Solvent Ends
- Sizes 1/2" – 2"



DIMENSIONS

Part # Threaded	Part # Solvent	Size	A	B	C	D	E	F (Solvent Only)	G (Solvent Only)
770T03N	770S03N	1/2"	3.02	1.85	2.73	0.82	0.75	0.83	0.85
770T04N	770S04N	3/4"	3.42	2.20	2.85	0.89	0.91	1.04	1.06
770T05N	770S05N	1"	4.00	2.40	3.60	1.03	1.22	1.30	1.33
770T06N	770S06N	1-1/4"	4.39	2.56	4.11	1.08	1.34	1.65	1.68
770T07N	770S07N	1-1/2"	4.86	2.80	4.46	1.16	1.54	1.89	1.92
770T08N	770S08N	2"	5.59	3.43	5.25	1.20	1.85	2.36	2.4

MATERIAL SPECIFICATIONS

No.	Part	Material
1	O-Ring	EPDM
2	Gasket	PTFE
3	Body	PVC
4	Ball	PVC
5	Handle	ABS
6	Cap	ABS



Global sourcing. National compliance. Local service.

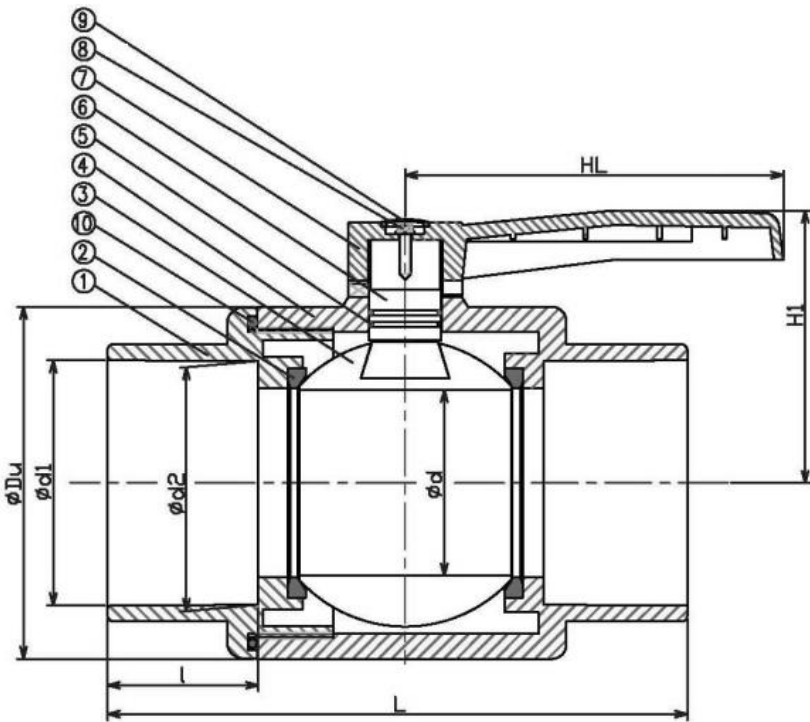
CALIFORNIA 5593 Fresca Dr., La Palma CA 90623 • Toll Free: 866-532-8306 • Fax: 866-532-8307
TEXAS 1150 Silber Rd., Houston TX 77055 • Toll Free: 800-935-5456 • Fax: 713-680-2999
NEW YORK PO Box 27, Rt. 22, Brewster NY 10509 • Toll Free: 800-431-2082 • Fax: 845-278-9056
 WEB: www.matco-norca.com EMAIL: mail@matco-norca.com

770N PVC Ball Valve - Economy • Spec Sheet



FEATURES & BENEFITS

- 150 PSI @ 73 Deg. F.
- Economy Pattern
- White Color
- Fits Sch. 40 & Sch. 80 Pipe
- Threaded or Solvent Ends
- Sizes 2-1/2" – 4"



MATERIAL SPECIFICATIONS

No.	Part	Material
1	Body Cap	PVC
2	Seat	PTFE
3	Ball	PVC
4	Body	PVC
5	O-Ring	EPDM
6	Stem	PVS
7	Handle	ABS
8	Bolt	SUS302
9	Handle Cap	ABS
10	O-Ring	EPDM

DIMENSIONS

Part # Threaded	Part # Solvent	Size	L	Ødu	HL	D	H1	Ød1 (Solvent Only)	Ød2 (Solvent Only)
770T09N	770S09N	2-1/2"	6.88	4.29	6.29	1.76	3.91	2.89	2.87
770T10N	770S10N	3"	8.44	4.96	7.36	2.09	4.35	3.52	3.49
770T11N	770S11N	4"	10.00	5.70	7.36	2.36	4.90	4.52	4.50



MATCO-NORCA

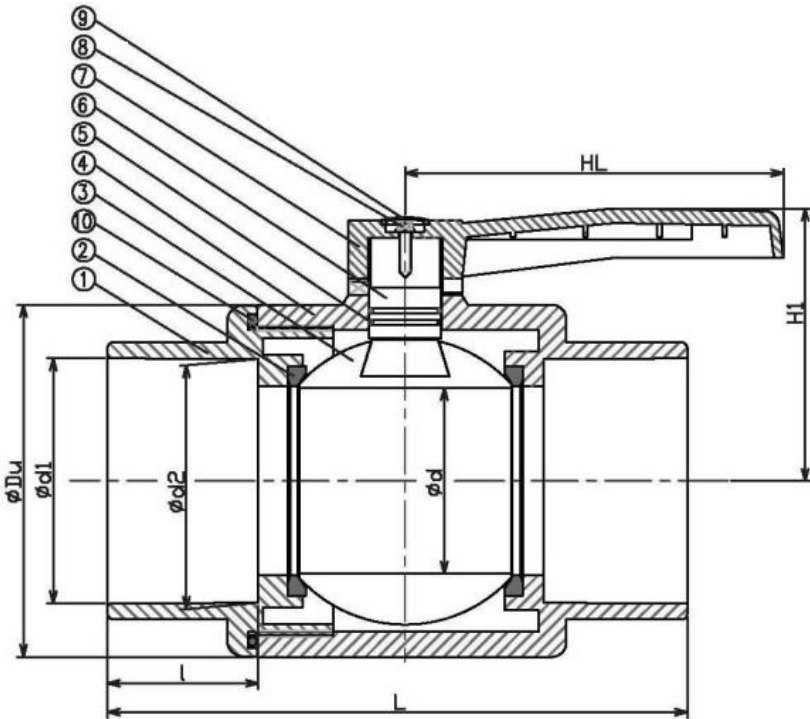
Global sourcing. National compliance. Local service.

CALIFORNIA 5593 Fresca Dr., La Palma CA 90623 • Toll Free: 866-532-8306 • Fax: 866-532-8307
TEXAS 1150 Silber Rd., Houston TX 77055 • Toll Free: 800-935-5456 • Fax: 713-680-2999
NEW YORK PO Box 27, Rt. 22, Brewster NY 10509 • Toll Free: 800-431-2082 • Fax: 845-278-9056
 WEB: www.matco-norca.com EMAIL: mail@matco-norca.com

770S13N 6" PVC Ball Valve - Economy • Spec Sheet

FEATURES & BENEFITS

- 150 PSI @ 73 Deg. F.
- Economy Pattern
- Compliant w/ NSF 61
- White Color
- Fits Sch. 40 & Sch. 80 Pipe
- Solvent Ends
- Size 6"



MATERIAL SPECIFICATIONS

No.	Part	Material
1	Body Cap	PVC
2	Seat	EPDM
3	Ball	PVC
4	Body	PVC
5	O-Ring	EPDM
6	Stem	PVS
7	Handle	ABS
8	Bolt	SUS302
9	Handle Cap	ABS
10	O-Ring	EPDM

DIMENSIONS

Size	L	Ød	ØDu	Ød1	Ød2	I	H1	HL
6	15.76	5.04	9.55	6.65	6.62	3.90	7.41	10.28

 **MATCO-NORCA**
Global sourcing. National compliance. Local service.

CALIFORNIA 5593 Fresca Dr., La Palma CA 90623 • Toll Free: 866-532-8306 • Fax: 866-532-8307
TEXAS 1150 Silber Rd., Houston TX 77055 • Toll Free: 800-935-5456 • Fax: 713-680-2999
NEW YORK PO Box 27, Rt. 22, Brewster NY 10509 • Toll Free: 800-431-2082 • Fax: 845-278-9056
 WEB: www.matco-norca.com EMAIL: mail@matco-norca.com