

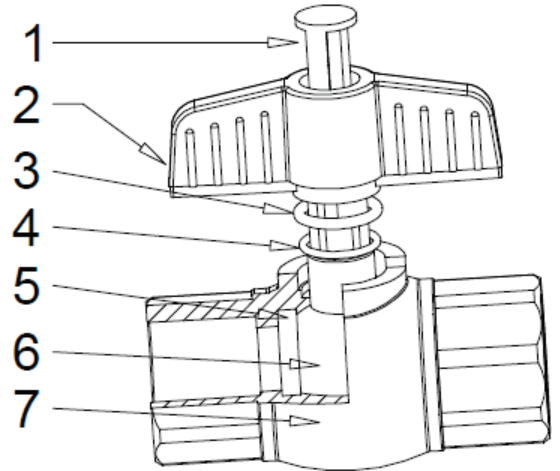
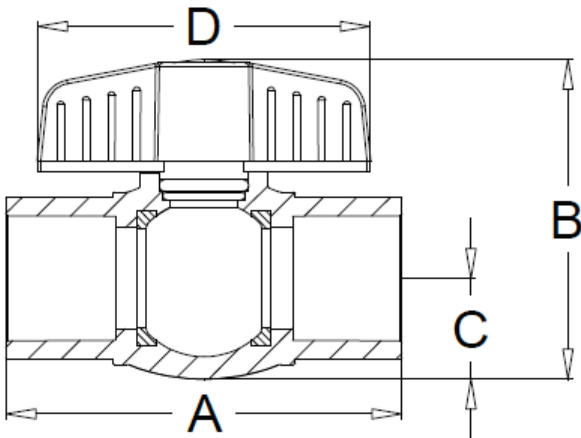
# 770 White PVC Ball Valve • Spec Sheet

Sizes 1/2" - 2"



## FEATURES & BENEFITS

- ISO 9002
- 150 PSI @ 73 Deg. F.
- White Color
- NSF Approved
- Fits Sch. 40 & Sch. 80 Pipe
- Threaded or Solvent Ends
- Threaded Ends Comply With ANSI B1.20.1
- Solvent Ends Comply With ASTM D2466



## DIMENSIONS

Part # Threaded	Part # Solvent	Size	A	B	C	D
770T03	770S03	1/2"	3.16	2.46	0.71	2.74
770T04	770S04	3/4"	3.61	2.98	0.87	3.01
770T05	770S05	1"	4.19	3.39	1.06	3.53
770T06	770S06	1-1/4"	4.76	3.80	1.21	3.54
770T07	770S07	1-1/2"	5.13	4.32	1.46	4.42
770T08	770S08	2"	5.93	5.36	1.83	5.53

## MATERIAL SPECIFICATIONS

No.	Part	Material
1	Cap	ABS
2	Handle	ABS
3	O-Ring	EPDM
4	O-Ring	EPDM
5	Seat (2)	PTFE
6	Ball	PC + ABS
7	Body	PVC



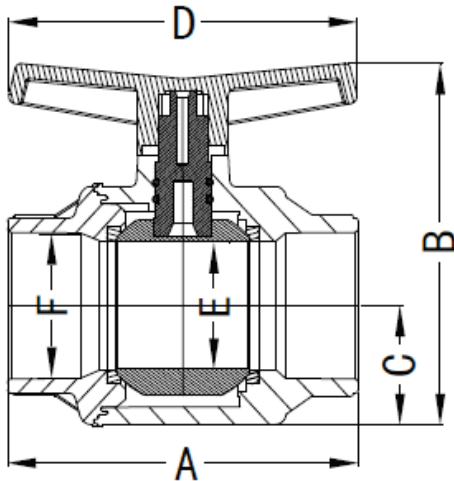
# 770 White PVC Ball Valve • Spec Sheet

Sizes 2-1/2" - 4"



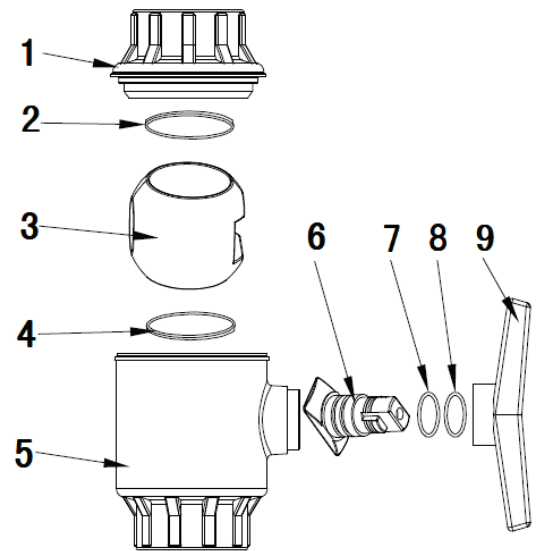
## FEATURES & BENEFITS

- ISO 9002
- 150 PSI @ 73 Deg. F.
- White Color
- NSF Approved
- Fits Sch. 40 & Sch. 80 Pipe
- Threaded or Solvent Ends
- Threaded Ends Comply With ANSI B1.20.1
- Solvent Ends Comply With ASTM D2466



## DIMENSIONS

Part # Threaded	Part # Solvent	Size	A	B	C	D	E	F
770T09	770S09	2-1/2"	7.48	7.68	2.26	7.09	2.62	2.87
770T10	770S10	3"	8.66	8.86	2.66	9.05	3.06	3.49
770T11	770S11	4"	10.24	10.24	3.35	10.04	4.03	4.49



## MATERIAL SPECIFICATIONS

No.	Part	Material
1	Nut	PVC
2, 4	Seat (2)	PTFE
3	Ball	PVC
5	Body	PVC
6	Stem	PVC
7, 8	O-Ring (2)	EPDM
9	Handle	ABS

