



LENOXLOCKER

Lenox Locker - Solid Plastic

- Tough, attractive, solid plastic never needs painting; resists dents and scratches
- Impervious to moisture — lockers will not rust or delaminate
- Made from 30% pre-consumer recycled HDPE plastic
- Durable, vandal resistant all-welded construction
- Wide range of sizes, tiers, colors and options
- ADA compliant handle operation
- 20-year warranty against rust, delamination or breakage under normal use*
- Lockers ship assembled; optional top, end panel and base assembled at the job site
- US Patent Numbers: 6,685,285 – 6,792,661 – 6,793,299 – 7,029,078 – 7,223,317 – 7,278,695 – 7,510,249 – 7,699,412 – 7,789,471 – 8,113,602
- Other Patents Pending

Construction - Standard Features

Sizes

| | | |
|-----------------|-------------------------|-----------|
| Standard Sizes: | 12", 15", 18" | Wide |
| | 12", 15", 18", 21", 24" | Deep |
| Nominal | 24", 36", 48", 60", 72" | Tall |
| | Tiers | See Table |

| Tiers | Actual Locker Height | | | | |
|-------|------------------------------------|----------------------------------|------------------------------------|-----|-----|
| | 24 ¹¹ / ₁₆ " | 36 ¹ / ₂ " | 48 ¹¹ / ₃₂ " | 60" | 72" |
| 1 | X | X | X | X | X |
| 2 | X | X | X | X | X |
| 3 | | X | X | X | X |
| 4 | | | X | X | X |
| 5 | | | | X | X |
| 6 | | | | | X |

Doors and Frames

Constructed of 1/2" thick High Density Polyethylene (HDPE) with homogeneous color and a matte finish texture. Dirt or graffiti are easily removed with standard industrial cleaners. Frames are welded to locker box to provide a secure, rigid assembly. Doors have ventilation slots.

Sides, Tops, Bottoms, Dividers and Shelves

Constructed of 3/8" thick white HDPE with a smooth finish. Sides and back of box are formed from a single sheet of HDPE with fused corners. Top, bottom and dividers are welded to frame without metal fasteners or dovetail joints. Shelves, provided in 36", 48", 60" and 72" one-tier lockers only, are slid into corresponding grooves in sides and back. Shelves are located 12" from locker top. Gussets, standard in one-tier lockers only, provide added support for the box.

Latch Bar

Full-length latch bar is constructed of 1/2" thick 100% pre-consumer recycled black High Density Polyethylene (HDPE) with a smooth finish. Runs entire length of door, providing a continuous security latching system. Latch lifts up to open and returns to closed position after door is closed. Latch bar is secured to locker door with stainless steel security torx-head shoulder screws.

* Normal use further defined as lockers installed in a climate-controlled environment, away from direct sunlight.

† Dove Stone locker will have white hinge and handle. Starry Night locker will have black hinge and handle.



3 Tiered Locker Shown

Hinge

Heavy-duty, full-length piano hinge is constructed of 18 gauge, type 304 stainless steel. Hinge wraps around edges of the door and the frame and is secured with stainless steel security torx-head screws. Hinge is powder coated to match locker color† and is field replaceable.

Handle

Constructed of injection molded plastic. Ergonomically designed handle is ADA compliant — operates with less than 5 lb of force. Handle is secured through latch bar to door with stainless steel security torx-head screws.

Hasp

Constructed of 12 gauge stainless steel. Accepts standard padlocks with 3/32" diameter (nominal). (Long shackle padlocks should not be used.) Secured to door behind latch bar with stainless steel screws.

Coat Hook

Double hook constructed of black polycarbonate. Furnished in 36", 48", 60" and 72" one-tier and 60" and 72" two-tier lockers only. Hook hangs centered under shelves in one-tier and under locker top in two-tier lockers. Secured to shelves and tops with stainless steel screws.

Product Compliance



Wood bases are not recommended.

© 2023 Bradley



Construction - Optional Features

Slope Top – Model LENOXSLOPETOP

Constructed of a 1" thick HDPE backplate (color may vary) and a ½" thick colored HDPE slope top panel. Provides a finished look and prevents accumulation of dust and storage of items on top of lockers. Back plate secures to wall first, then panel is secured through the locker top from the inside — no exposed fasteners. Standard slope is 10°. Available in single locker size or in 24", 30", 36", 45" and 72" lengths. All necessary hardware included.

Flat Top – Model LENOXFLATTOP

Constructed of ½" thick HDPE with homogeneous color and a matte finish texture. Provides a finished look on top of lockers. Available in single locker size or in 24", 30", 36", 45", 54" and 72" lengths. Hardware not included.

Base – Model LENOXBASE

Constructed of 1" thick HDPE with homogeneous color and a matte finish texture. Base can be 3" or 4" tall and set back 3" from locker front to provide toe clearance. Notched end caps provide ease of installation. Installation hardware, including screws, anchors, L-brackets and mending plates are included.

Number Plates

Constructed of white acrylic with black film coating. Laser etched with number specified. Number plates are secured with grooved rivets into a recessed pocket cut into the door. Plates must be fastened to lockers on the job by installer.

End Panels – Model LENOXENDPANEL

Constructed of ¾" thick HDPE with homogeneous color and a matte finish texture. End panels cover white locker sides on exposed ends and are available in flat or slope top styles and in single or double (back-to-back) configurations. When properly installed, the top edge of the end panel is exposed, sitting flush with the finished locker top. All necessary hardware included.

Mesh Doors

Standard locker doors are machined with cross-hatch pattern to provide ventilation for locker contents.

Built-In Key Lock

Standard hasp is replaced with Master Lock key lock. All locks are master keyed and include two user keys for each lock. Key can only be removed from lock in locked position. Master keys ordered separately.

Built-In Combination Lock

Standard hasp is replaced with Master Lock combination lock. All locks are keyed to one master key (included) and come pre-programmed with five separate combinations. Master keys ordered separately.

Multi-User Mechanical Lock

Standard hasp is replaced with Master Lock Model #3670. Three-digit combination is set by the user to lock and unlock the door. Retains current combination until reset. Supervisory Key ordered separately.

Water Resistant Digital Combination Lock (DCL)

Standard hasp is replaced with Lowe & Fletcher DCL. Water resistant keypad lock uses 4-digit pin as user code to lock and unlock locker doors. Code is changed with every use. 2mm Allen wrench and master keys ordered separately.

Coin Return Lock

Standard hasp is replaced with Safe-O-Mat coin lock located inside the locker door. Locks are available in \$0.25 or token denominations. User inserts coin to secure locker with key. When locker door is opened with key, coin is returned. Number tags for keys are not included. Tokens, master keys and extra cylinders ordered separately.

Coin Retain Lock

Standard hasp is replaced with Safe-O-Mat model coin lock located inside the locker door. Locks are available in \$0.25 or token denominations. User inserts coin to secure locker with key. When locker door is opened with key, coin is retained in collection box secured with a master key. Number tags for keys are not included. Tokens, master keys and extra cylinders ordered separately.

Combination Padlock

Master Lock #1525 combination padlock fits into standard hasp. Double reinforced construction with stainless steel outer case and cold-rolled steel inner case adds strength and durability. Nickel-plated hardened steel shackle resists rust.

Cutout Only Option

Most lock types currently offered have a cutout only option which allows the locks to be purchased by others. Doors will be prepped for lock selected.

Wall Hooks

Constructed of black powder-coated cast zinc. 1–3 hooks can be secured to each tier with this option. Please specify location.

Coat Rod

Constructed of schedule 40 PVC-1120. Rod is mounted with plastic pole sockets and stainless steel screws. Available in lockers 18" deep and larger.

Fillers - Model LENOXFILLER

Constructed of ½" thick HDPE secured to ¾" thick HDPE angle bracket. Filler is attached through the inside of an end or corner locker to fill gaps between lockers and a wall or another locker in a corner. Available in colors to match lockers 60" or 72" tall, and 3", 6", 12", 15" and 18" wide. All necessary hardware included.

Logos

Handicap or a custom logo is machined into the locker door. Custom logo artwork must be provided to Bradley in one of the following formats "DXF", "DWG", "IGES" or "SAT". Font and the size of the logo are also needed. Handicap logos are available in standard hasp only. Base height required when selecting handicap logo.

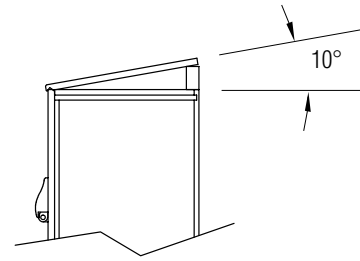
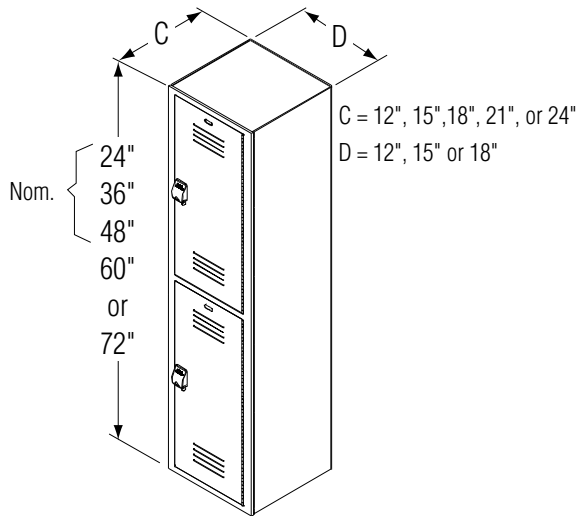
Drain Holes

Slots are placed in the bottom of the locker (one-tier only) for drainage of water after hose down. (Slots will be evenly spaced in center unless specified otherwise.)

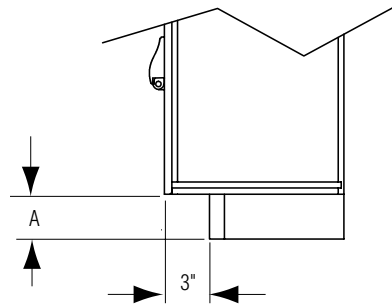
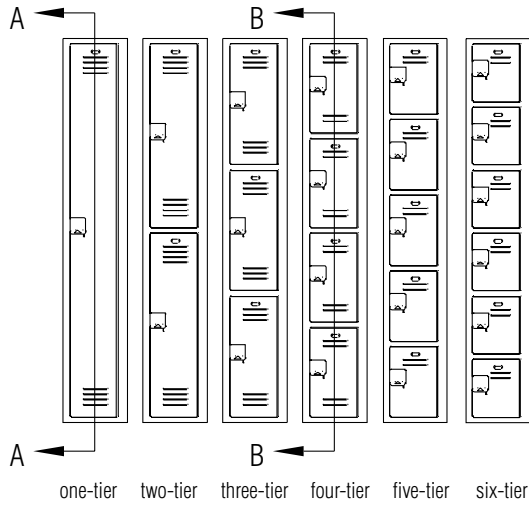


LENOXLOCKER

Lenox Locker - Solid Plastic



Optional Slope Top

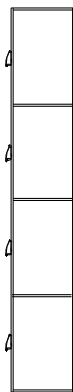


Optional Base

Dim. A = 3" or 4"



Section A-A



Section B-B



LENOXLOCKER

Lenox Locker - Solid Plastic

Please see Optional Selections Tech Data for additional ordering information.

Lockers are non-cancelable and non-returnable.

| Model | Description |
|---|---|
| LENOXLOCKER | Solid Plastic Locker |
| Required Selections (Must select one from each category) | |
| Locker Width (select one): | |
| 12 | 12" Wide Locker |
| 15 | 15" Wide Locker |
| 18 | 18" Wide Locker |
| Locker Depth (select one): | |
| 12 | 12" Deep Locker |
| 15 | 15" Deep Locker |
| 18 | 18" Deep Locker |
| 21 | 21" Deep Locker |
| 24 | 24" Deep Locker |
| Locker Height (select one): | |
| 24 | 24" High Locker (Nom. Height) |
| 36 | 36" High Locker (Nom. Height) |
| 48 | 48" High Locker (Nom. Height) |
| 60 | 60" High Locker |
| 72 | 72" High Locker |
| Locker Tiers (select one): | |
| 1 | One-Tier Locker |
| 2 | Two-Tier Locker |
| 3 | Three-Tier Locker |
| 4 | Four-Tier Locker |
| 5 | Five-Tier Locker |
| 6 | Six-Tier Locker |
| Note: See Chart on Page 1 for availability. | |
| Locker Color[†] (select one): | |
| BEIGE | LINEN |
| BURGUNDY | STARRY-NIGHT¹ |
| CANYON-GRANITE | TOFFEE |
| CHARCOAL-GRAY | PC-BLACK 100% Post-Consumer Recycled Black ² |
| DEEP-BLUE | PC-CHARCOALGRAY 100% Post-Consumer Recycled Charcoal Gray ² |
| DESERT-STONE | PC-TOFFEE 100% Post-Consumer Recycled Toffee ² |
| DOVE-STONE¹ | RECYCLED-BLACK 100% Pre-Consumer Black ³ |
| GRAY | |
| Locker Door (select one): | |
| STD | Standard Door — Louvered Vented |
| MESH | Vented Mesh Door |

| Optional Selections | |
|--------------------------|---|
| Locker Lock Type: | |
| STD-HASP | Standard Hasp Lock |
| KEY | Built-in Key Lock |
| COMB | Built-in Combination Lock |
| MULT | Multi-User Mechanical Lock |
| DCL | Digital Combination Lock |
| COIN | Coin Operated Lock |
| Locker Coin Type: | |
| 25-COLLECT | Single (\$0.25) Coin Collect Lock |
| 1-TOKEN-COLLECT | Single 1-Token Collect Lock |
| 25-RETURN | Single (\$0.25) Coin Return Lock |
| 1-TOKEN-RETURN | Single Token Return Lock |
| PADLOCK | Single Combination Padlock |
| CUT-OUT-KEY | Key Lock (Cutout Only) |
| CUT-OUT-COMB | Combination Lock (Cutout Only) |
| CUT-OUT-MULT | Multi-User Lock (Cutout Only) |
| CUT-OUT-DCL | DCL Lock (Cutout Only) |
| CUT-OUT-COIN | Coin Lock (Cutout Only) |
| CUT-OUT-DIGI | Digilock Cue 5 NLQK-STS2-619-01P1 (Cutout Only) |
| Tokens: | |
| 0 | None |
| 1 | One Token Per Lock |
| 2 | Two Tokens Per Lock |
| 3 | Three Tokens Per Lock |
| 4 | Four Tokens Per Lock |
| 5 | Five Tokens Per Lock |
| Locker Logos: | |
| NONE | No Logo |
| HANDICAP | Handicap Logo Base Height _____ (Required when selecting Handicap Logo) Existing base height up to 24"H, 1/4" increments. |
| CUSTOM | Custom Logo Description _____ |

¹ Dove Stone locker will have white hinge and handle. Starry Night locker will have black hinge and handle.

² 100% Post-Consumer HDPE may have some minor flaws and the color may be inconsistent.

³ Pre-Consumer Black color selection includes black box. Only limited sizes in 72" H are available:

- 12"W x 12"D x 72"H
- 12"W x 15"D x 72"H
- 15"W x 12"D x 72"H



LENOXLOCKER

Lenox Locker - Solid Plastic

Optional Selections (continued)

| | |
|---------------------------|--|
| Locker Wall Hooks: | |
| NONE | No Wall Hooks |
| 1 | Single Wall Hook (1) Per Tier |
| 2 | Single Wall Hook (2) Per Tier |
| 3 | Single Wall Hook (3) Per Tier |
| Specify Location(s) _____ | |
| Locker Coat Rod: | |
| COATROD | Optional Coat Rod (18"D, 21"D or 24"D Lockers Only) |
| NONE | No Coat Rod |

Enter LENOXNUMBERS as a separate line item.

| Model | Description |
|---------------------|----------------------------------|
| LENOXNUMBERS | Locker Replacement Number Plates |

Required Selections (Must select one from each category)

| | |
|----------------------------------|---------------------------|
| Number Type (select one): | |
| NUMBERS | Etched Numbers/Letters |
| BLANK | No Etched Numbers/Letters |

| | | |
|----------------------------------|----------------|---------------------------------|
| Number Sets (select one): | | |
| 1 | Set Qty: _____ | Number Qty: _____ Series: _____ |
| 2 | Set Qty: _____ | Number Qty: _____ Series: _____ |
| 3 | Set Qty: _____ | Number Qty: _____ Series: _____ |
| 4 | Set Qty: _____ | Number Qty: _____ Series: _____ |
| 5 | Set Qty: _____ | Number Qty: _____ Series: _____ |