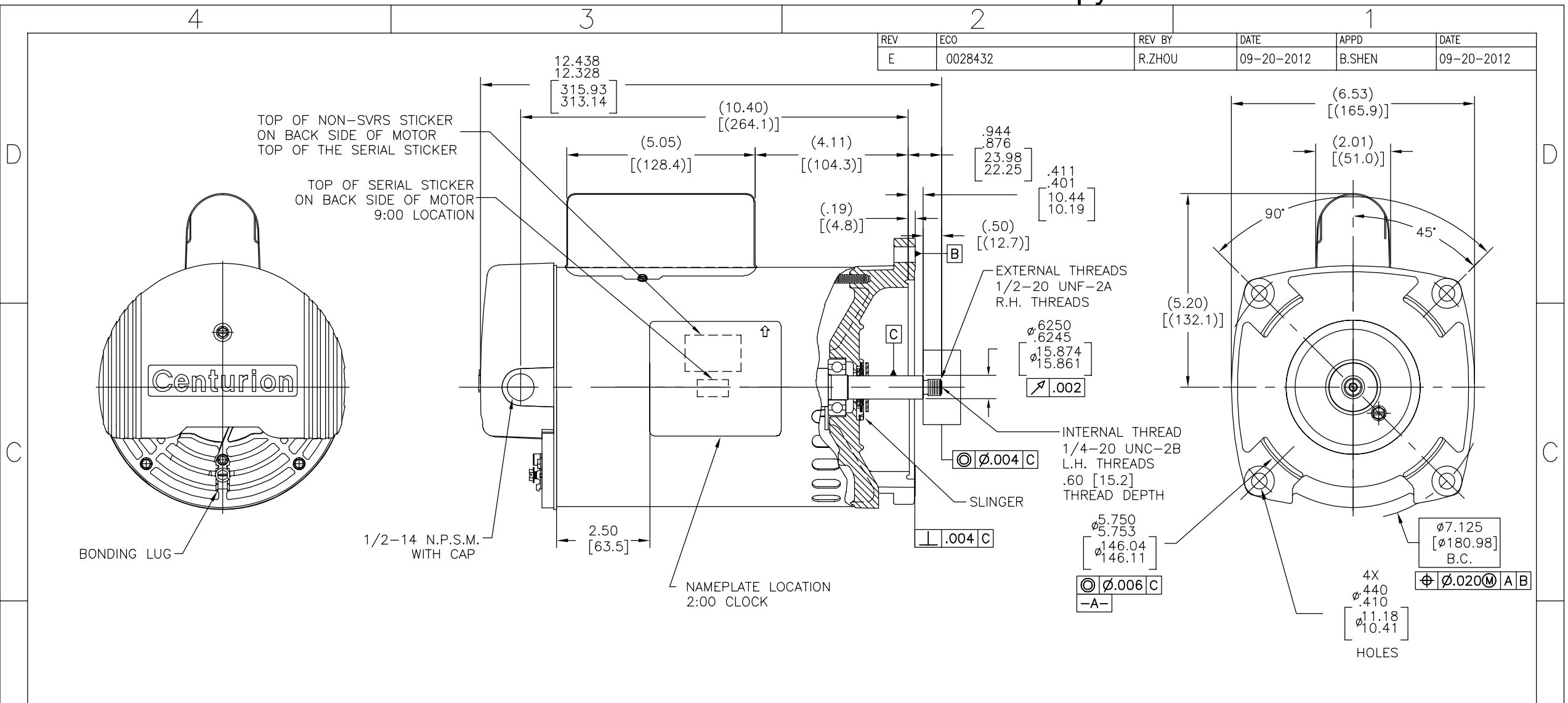
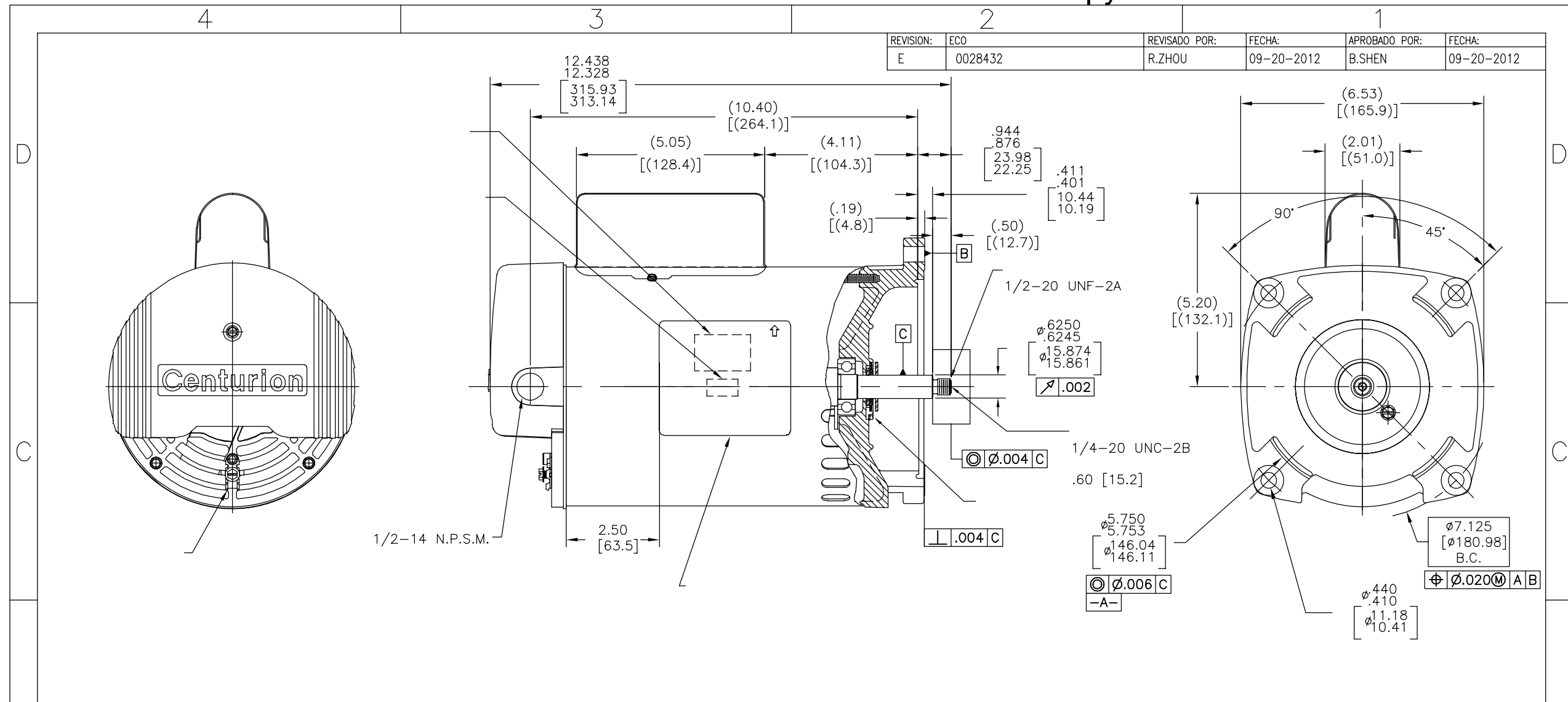


REV	ECO	REV BY	DATE	APPD	DATE
E	0028432	R.ZHOU	09-20-2012	B.SHEN	09-20-2012



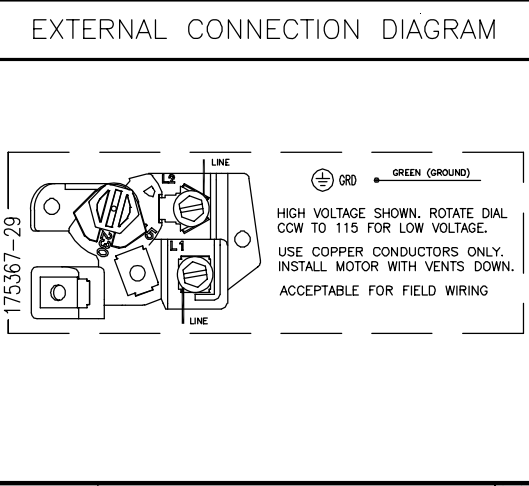
NAMEPLATE DATA	EXTERNAL CONNECTION DIAGRAM	NOTES
MODEL: F56AA36A01 CUST PN: B2852 HP: 3/4 SF: 1.25 ROT: CCWPE RPM: 3450 TYPE: CX CODE: N FORM: FRAME: P 56 Y VOLTS: 230/115 AMPS: - MAX AMPS: SF AMPS: 5.4/10.8 PH: 1 HZ: 60 INS: F AMB: 50 C DUTY: CONT ENCLOSURE: ODP THERMALLY PROTECTED	<p>175367-29</p> <p>HIGH VOLTAGE SHOWN. ROTATE DIAL CCW TO 115 FOR LOW VOLTAGE.                      USE COPPER CONDUCTORS ONLY.                      INSTALL MOTOR WITH VENTS DOWN.                      ACCEPTABLE FOR FIELD WIRING</p>	<ol style="list-style-type: none"> <li>FOR THREADED SHAFT EXTENSION ECCENTRICITY OF THREADED PORTION OF SHAFT IS HELD WITHIN .004[.10] TOTAL GAGE READING WITH THE INDICATOR ON O.D. OF BROUND RING GAGE AS SHOWN. THE GAGE BEING STATIONARY WITH RESPECT TO THE ROTOR.</li> <li>END PLAY NOT TO EXCEED .010[.25] MEASURED WITH NO THRUST.</li> <li>FINISH PAINT TO BE BLACK.</li> <li>REFERENCE MODEL: B2846.</li> <li>CONNECTED FOR 230V. DUAL VOLTAGE MOTOR. SEE CONNECTION DIAGRAM TO CHANGE VOLTS TO 115V.</li> </ol>

PERFORMANCE CURVE	APPROVED SAMPLE	GEOMETRIC CHARACTERISTICS & SYMBOLS ▽ FLATNESS - STRAIGHTNESS < ANGLARITY ⊥ PERPENDICULARITY (SQUARENESS) // PARALLELISM ○ ROUNDNESS (CIRCULARITY) ∅ CYLINDRICITY △ PROFILE OF ANY SURFACE ∩ PROFILE OF ANY LINE ↗ RUNOUT ⊕ TRUE POSITION ⊙ CONCENTRICITY = SYMMETRY	UNLESS OTHERWISE SPECIFIED DIM. TOLERANCES ARE AS FOLLOWS: INCH X XX XXX XXXX ±.1 ±.02 ±.005 ±.0005 mm ±0.5 ±0.13 ±0.013 ANG. ±.50 DEG REMOVE BURRS & BREAK SHARP EDGES: INCH .003-.015 mm 0.1-0.4 CORNER FILLETS TO: INCH .020 mm 0.5 MACHINE SURFACES: INCH 125 mm 3.2 METRIC DIMS. SHOWN IN [BRACKETS]	DR BY: JLHESS	06-09-2009	REGAL-BELOIT CORPORATION	
16345117	B2846			APPD: D.FOX	06-09-2009		DESCRIPTION
UL COMPONENT	CSA	CONFIDENTIAL: THIS DRAWING AND ITS INFORMATION ARE THE EXCLUSIVE AND CONFIDENTIAL PROPERTY OF REGAL-BELOIT CORPORATION AND ARE NOT TO BE DISCLOSED, DUPLICATED, DISTRIBUTED OR OTHERWISE USED WITHOUT THE WRITTEN CONSENT OF REGAL-BELOIT CORPORATION. -ALL RIGHTS RESERVED.	THIRD ANGLE PROJECTION	EDS DATE 11-11-2011	SIZE C	DWG NO B2852	
FILE#	CCN#		PENDING	PENDING	PENDING	PENDING	SCALE NONE



REVISION:	ECO	REVISADO POR:	FECHA:	APROBADO POR:	FECHA:
E	0028432	R.ZHOU	09-20-2012	B.SHEN	09-20-2012

NAMEPLATE DATA	
MODEL: F56AA36A01	CUST PN: B2852
HP: 3/4	SF: 1.25
ROT: CCWPE	
RPM: 3450	
TYPE: CX	CODE: N
FORM:	FRAME: P 56 Y
VOLTS: 230/115	
AMPS: -	
MAX AMPS:	
SF AMPS: 5.4/10.8	
PH: 1	HZ: 60
INS: F	AMB: 50 C
DUTY: CONT	
ENCLOSURE: ODP	
THERMALLY PROTECTED	



NOTES

A MENOS QUE SE ESPECIFIQUE DE OTRA MANERA, LAS TOLERANCIAS DE LAS DIMS; SON LAS SIGUIENTES:

PULG ±.1 ±.02 ±.005 ±.0005  
 mm ±0.5 ±0.13 ±0.013

ANG. ±.50 GRADOS  
 ELIMINAR REBABAS Y ORILLAS FILOSAS DEL BORDE.

PULG .003-.015 mm 0.1-0.4  
 FILETEAR ESQUINA: PULG .020 mm 0.5  
 MAQUINAR SUPERFICIES  
 PULG 125 mm 3.2

DIMS METRICAS MOSTRADAS [PARENTESIS]

PERFORMANCE CURVE	APPROVED SAMPLE		
16345117	B2846		
UL COMPONENT	CSA		
FILE#	CCN#	FILE#	GUIDE#
PENDING	PENDING	PENDING	PENDING
CUSTOMER	DISTRIBUTION		

CARACTERISTICAS DE GEOMETRIA Y SIMBOLOS

- ∠ PLANICIDAD
- RECTITUD
- ∠ ANGULARIDAD
- ⊥ PERPENDICULARIDAD (A ESCUADRA)
- // PARALELISMO
- REDONDEZ (CIRCULARIDAD)
- ∅ CILINDRICIDAD
- △ PERFIL DE CUALQUIER SUPERFICIE
- ∩ PERFIL DE CUALQUIER LINEA
- ∠ VARIACION
- ⊕ POSICION REAL
- ◎ CONCENTRICIDAD
- = SIMETRIA

ASME Y14.5M 1994

DIBUJADO POR: JLHESS  
 06-09-2009

APROBADO POR: D.FOX  
 06-09-2009

TERCER ANGULO DE PROYECCION

CONFIDENCIAL: ESTE DIBUJO Y SU INFORMACION SON PROPIEDAD DE USO EXCLUSIVO Y CONFIDENCIAL DE REGAL-BELOIT CORPORATION. Y NO DEBERAN SER REVELADOS, DUPLICADOS, DISTRIBUIDOS O USARSE DE OTRA MANERA SIN EL CONSENTIMIENTO ESCRITO DE REGAL-BELOIT CORPORATION. -TODOS LOS DERECHOS RESERVADOS.

REGAL REGAL-BELOIT CORPORATION	
DESCRIPCION: MODEL-CFHP-56FR OUTLINE	
TAMAÑO: C	NUMERO DE DIBUJO: B2852
ESCALA: NONE	HOJA: 1

