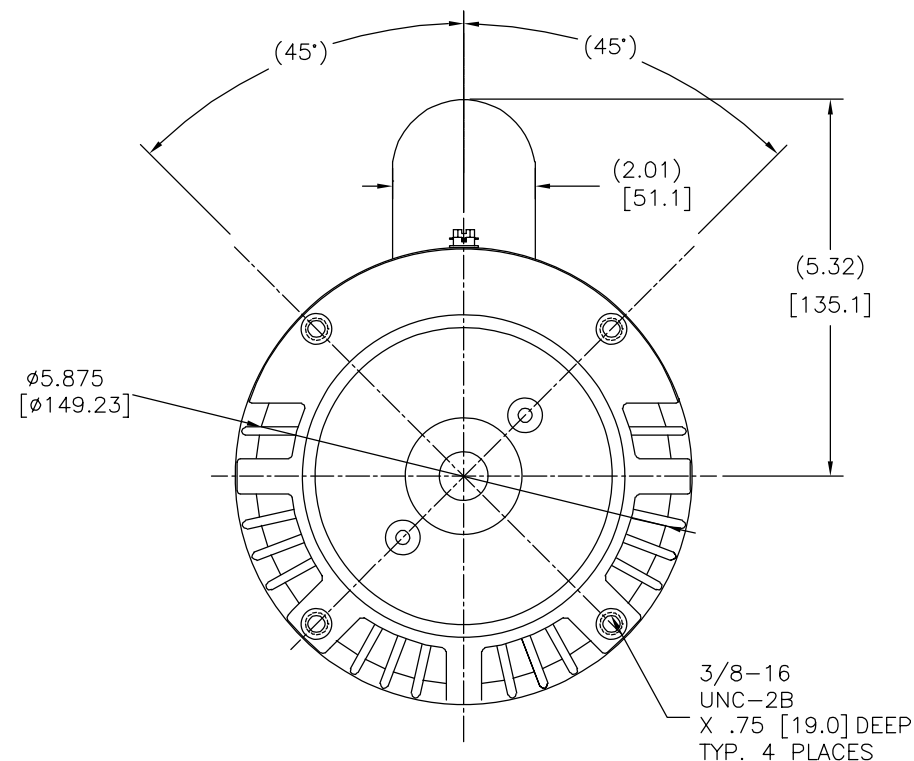
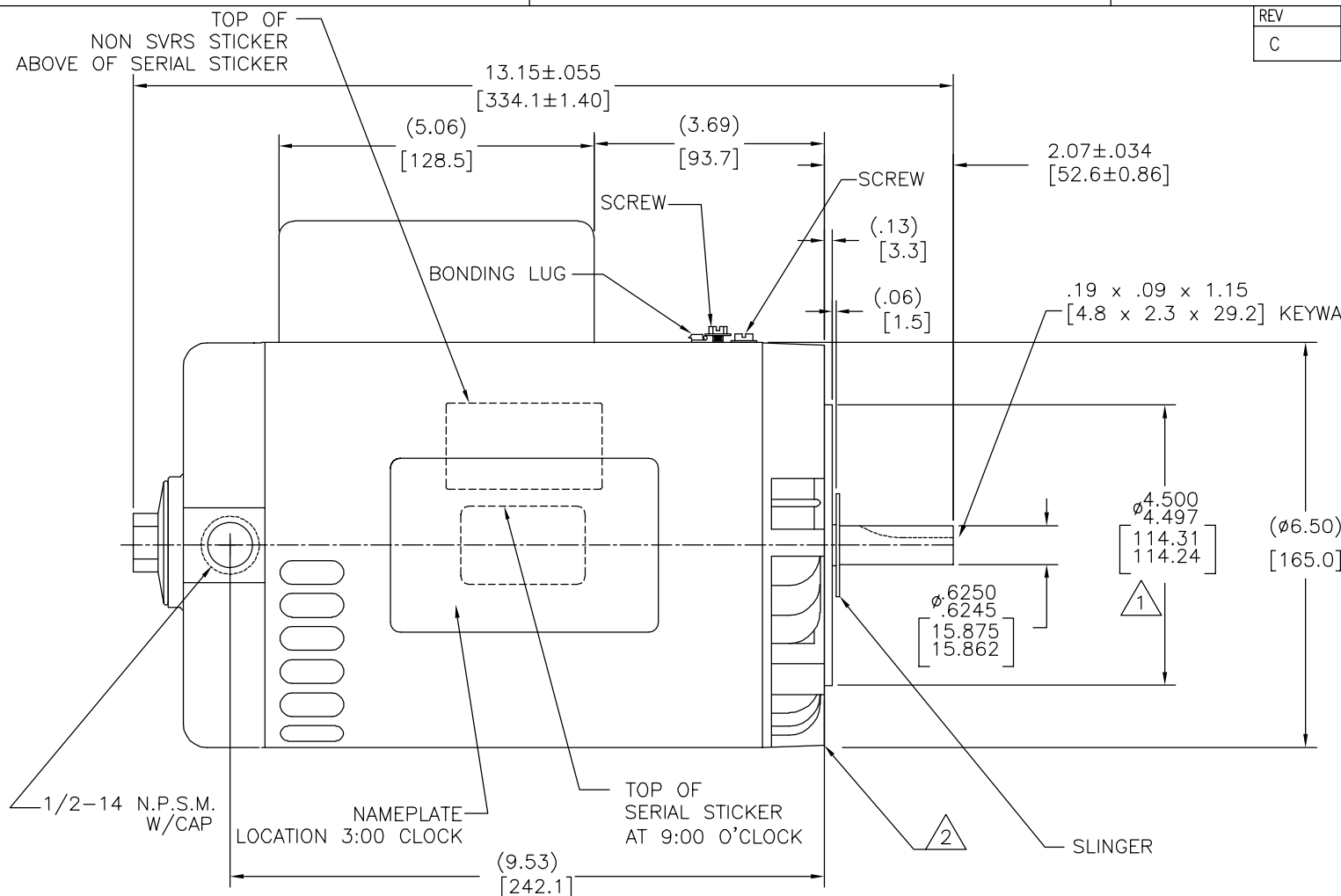
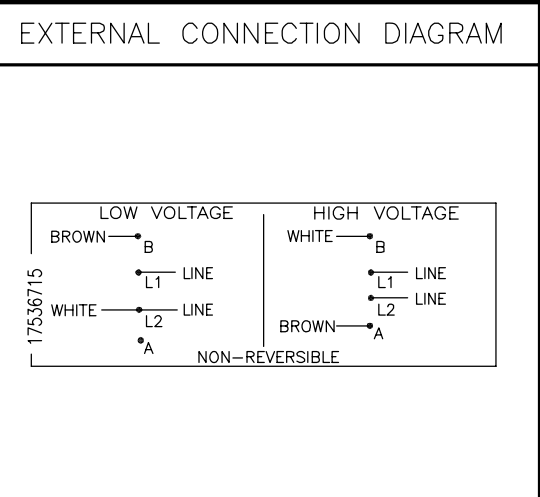


REV	ECO	REV BY	DATE	APPD	DATE
C	0025533	E.SINECIO	04-24-2012	R.RASCON	04-24-2012



NAMEPLATE DATA	
MODEL: 165121	CUST PN: B795
HP: 1.5	SF: 1.30
ROT: CCWPE	
RPM: 3450	
TYPE: CX	CODE: G
FORM:	FRAME: P 56 C
VOLTS: 208-230/115	
AMPS: SF 8.7-7.8/15.6	
MAX AMPS:	
SF AMPS: -	
PH:	HZ: 60
INS: B	AMB: 50°C
DUTY: CONT	
ENCLOSURE: ODP	
THERMALLY PROTECTED	



- NOTES
- 1 PILOT DIAMETER IS CONCENTRIC WITH SHAFT CENTERLINE WITHIN .004 T.I.R.
 - 2 FACE OF MOUNTING FLANGE IS PERPENDICULAR TO SHAFT CENTERLINE WITHIN .004 T.I.R.
 - 3 SHAFT RUNOUT NOT TO EXCEED .002 T.I.R.
 - 4 END PLAY NOT TO EXCEED .010 MEASURED WITH NO THRUST
 - 5 ALL DIMENSIONS SHOWN IN PARENTHESIS ARE REFERENCE DIMENSIONS.

PERFORMANCE CURVE	APPROVED SAMPLE		
16380711			
UL COMPONENT	CSA		
FILE#	CCN#	FILE#	GUIDE#
E14663	XEWR2	LR4642	4211-01
CUSTOMER	DISTRIBUTION		

GEOMETRIC CHARACTERISTICS & SYMBOLS

- FLATNESS
- STRAIGHTNESS
- ∠ ANGULARITY
- ⊥ PERPENDICULARITY (SQUARENESS)
- // PARALLELISM
- ROUNDNESS (CIRCULARITY)
- ∅ CYLINDRICITY
- △ PROFILE OF ANY SURFACE
- ∩ PROFILE OF ANY LINE
- ↑ RUNOUT
- ⊕ TRUE POSITION
- ◎ CONCENTRICITY
- ≡ SYMMETRY

ASME Y14.5M 1994

UNLESS OTHERWISE SPECIFIED DIM. TOLERANCES ARE AS FOLLOWS:

INCH X XX XXX XXXX
 ±.1 ±.02 ±.005 ±.0005
 mm ±0.5 ±0.13 ±0.013

ANG. ±.50 DEG

REMOVE BURRS & BREAK SHARP EDGES:
 INCH .003-.015 mm 0.1-0.4

CORNER FILLETS TO:
 INCH .020 mm 0.5

MACHINE SURFACES:
 INCH 125 mm 3.2

METRIC DIMS. SHOWN IN [BRACKETS]

DR BY: AS 10-21-2010

APPD: TZ 10-21-2010

THIRD ANGLE PROJECTION

EDS DATE 02-22-2008
 FORMAT REV G

CONFIDENTIAL: THIS DRAWING AND ITS INFORMATION ARE THE EXCLUSIVE AND CONFIDENTIAL PROPERTY OF REGAL-BELOIT CORPORATION AND ARE NOT TO BE DISCLOSED, DUPLICATED, DISTRIBUTED OR OTHERWISE USED WITHOUT THE WRITTEN CONSENT OF REGAL-BELOIT CORPORATION. -ALL RIGHTS RESERVED.

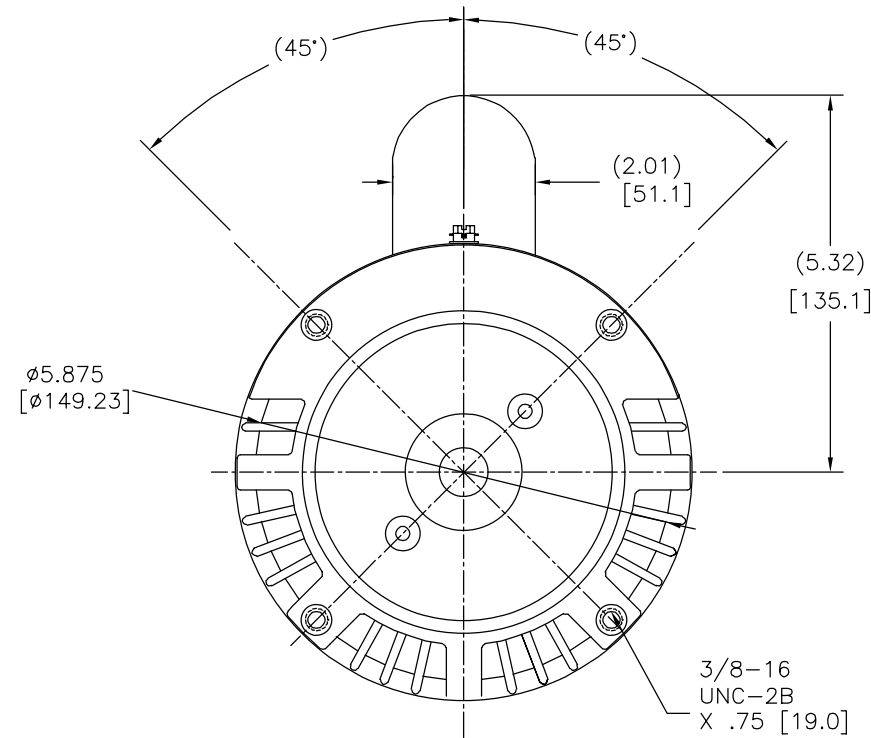
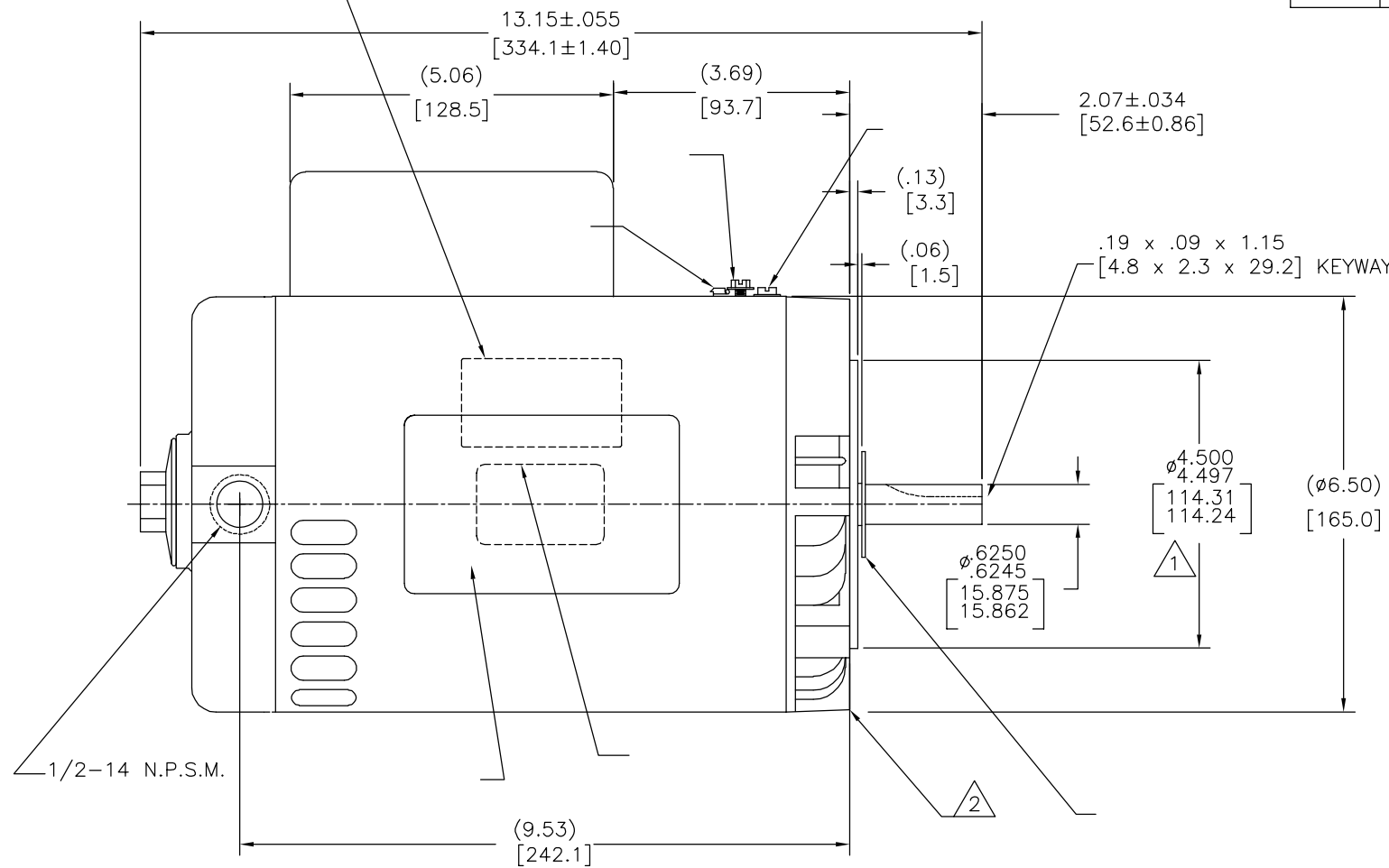
REGAL-BELOIT CORPORATION

DESCRIPTION: MODEL-CFHP-56FR OUTLINE

SIZE: C DWG NO: B795

SCALE: NONE SHEET: 1

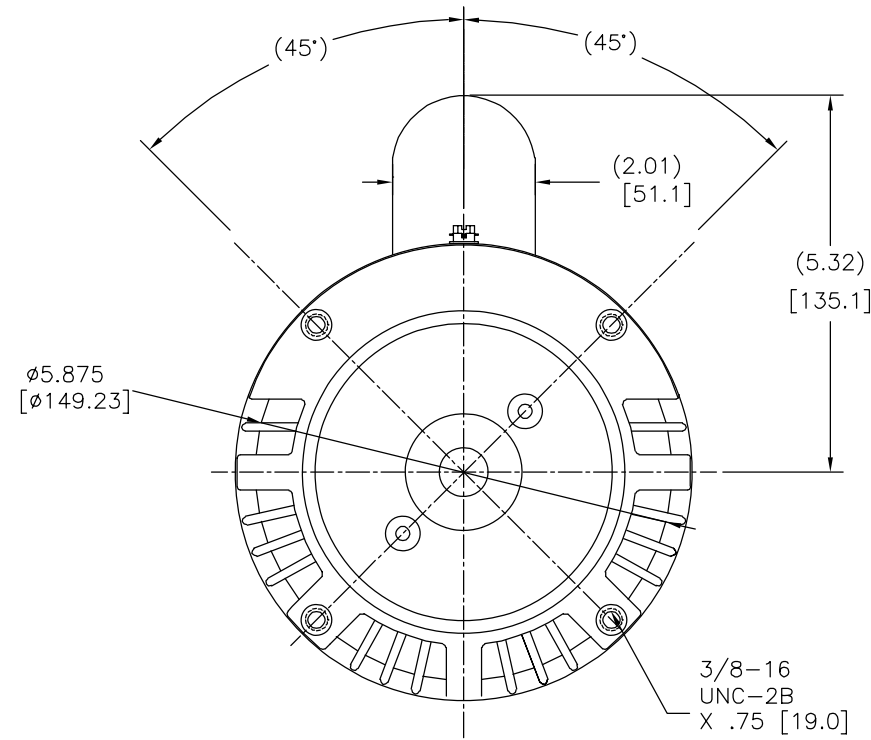
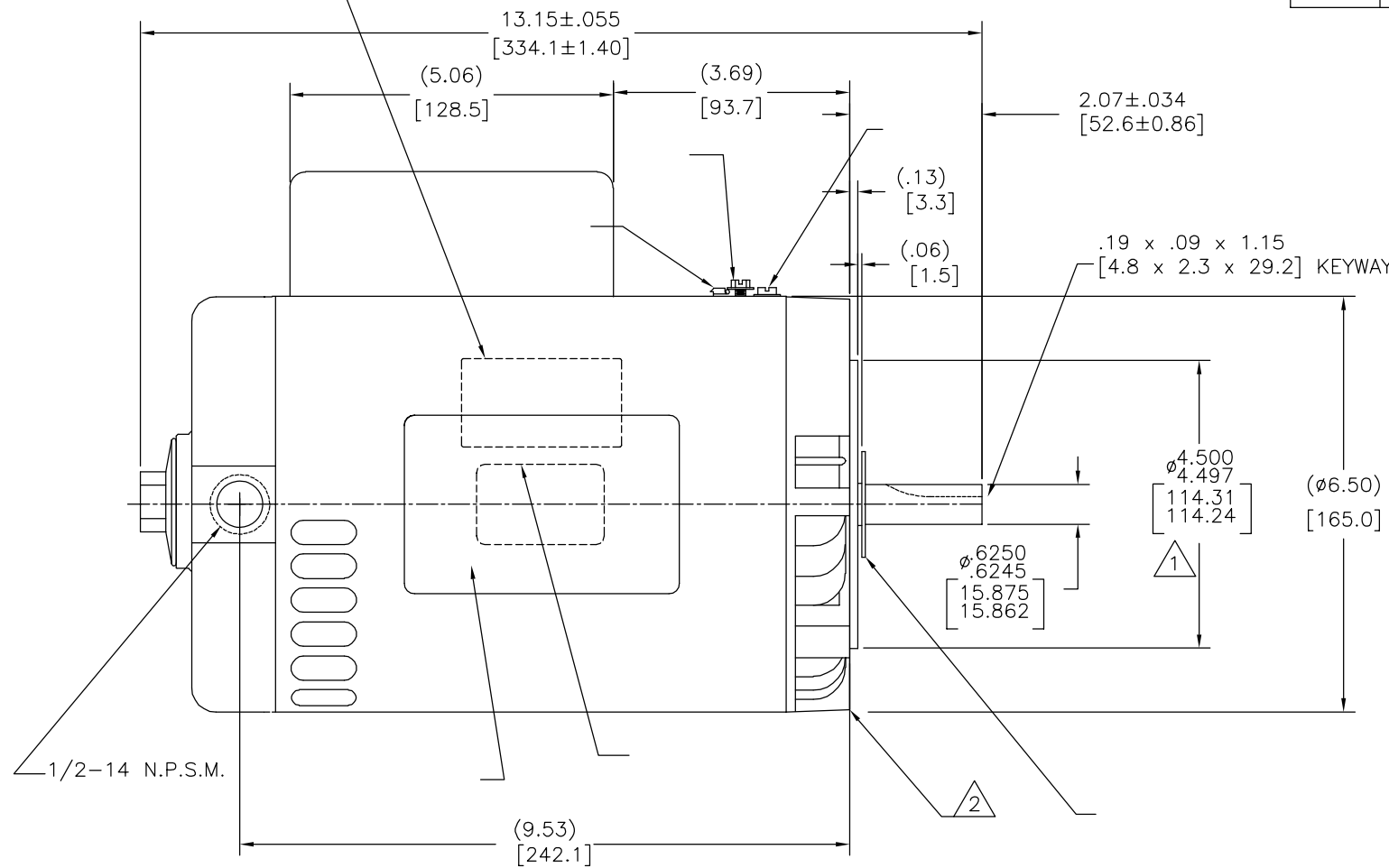
REVISION:	ECO	REVISADO POR:	FECHA:	APROBADO POR:	FECHA:
C	0025533	E.SINECIO	04-24-2012	R.RASCON	04-24-2012



NAMEPLATE DATA	EXTERNAL CONNECTION DIAGRAM	NOTES
MODEL: 165121 CUST PN: B795 HP: 1.5 SF: 1.30 ROT: CCWPE RPM: 3450 TYPE: CX CODE: G FORM: FRAME: P 56 C VOLTS: 208-230/115 AMPS: SF 8.7-7.8/15.6 MAX AMPS: SF AMPS: - PH: HZ: 60 INS: B AMB: 50°C DUTY: CONT ENCLOSURE: ODP THERMALLY PROTECTED		

PERFORMANCE CURVE	APPROVED SAMPLE	CARACTERISTICAS DE GEOMETRIA Y SIMBOLOS ▽ PLANICIDAD - RECTITUD < ANGULARIDAD ⊥ PERPENDICULARIDAD (A ESQUADRA) // PARALELISMO ○ REDONDEZ (CIRCULARIDAD) ∅ CILINDRICIDAD △ PERFIL DE CUALQUIER SUPERFICIE ▲ PERFIL DE CUALQUIER LINEA ↗ VARIACION ⊕ POSICION REAL ⊙ CONCENTRICIDAD = SIMETRIA	DIBUJADO POR: AS	10-21-2010	DESCRIPCION: MODEL-CFHP-56FR OUTLINE		
16380711	CSA		A MENOS QUE SE ESPECIFIQUE DE OTRA MANERA, LAS TOLERANCIAS DE LAS DIMS; SON LAS SIGUIENTES: PULG ±.1 ±.02 ±.005 ±.0005 mm ±0.5 ±0.13 ±0.013 ANG. ± 50 GRADOS ELIMINAR REBABAS Y ORILLAS FILOSAS DEL BORDE. PULG .003-.015 mm 0.1-0.4 FILETEAR ESQUINA: PULG .020 mm 0.5 MAQUINAR SUPERFICIES PULG 125 mm 3.2 DIMS METRICAS MOSTRADAS [PARENTESIS]	APROBADO POR: TZ		10-21-2010	TAMAÑO: C
UL COMPONENT	CSA		TERCER ANGULO DE PROYECCION	FECHA EDS: 02-22-2008		ESCALA: NONE	HOJA: 1
FILE#	CCN#	FILE#	GUIDE#	REV. FORMATO: G			
E14663	XEWR2	LR4642	4211-01				
CUSTOMER	DISTRIBUTION						

版本	ECO	编制	日期	批准	日期
C	0025533	E.SINECIO	04-24-2012	R.RASCON	04-24-2012



NAMEPLATE DATA	EXTERNAL CONNECTION DIAGRAM	NOTES
MODEL: 165121 CUST PN: B795 HP: 1.5 SF: 1.30 ROT: CCWPE RPM: 3450 TYPE: CX CODE: G FORM: FRAME: P 56 C VOLTS: 208-230/115 AMPS: SF 8.7-7.8/15.6 MAX AMPS: SF AMPS: - PH: HZ: 60 INS: B AMB: 50°C DUTY: CONT ENCLOSURE: ODP THERMALLY PROTECTED		

PERFORMANCE CURVE	APPROVED SAMPLE		
16380711			
UL COMPONENT	CSA		
FILE#	CCN#	FILE#	GUIDE#
E14663	XEWR2	LR4642	4211-01
CUSTOMER	DISTRIBUTION		

形位公差	除另有注明
□ 平面度	尺寸公差如下:
— 直线度	英寸 X XX XXX XXXX
∠ 倾斜度	英寸 ±.1 ±.02 ±.005 ±.0005
⊥ 垂直度	毫米 ±0.5 ±0.13 ±0.013
∥ 平行度	角度 ±.50 度
○ 圆度	清理毛刺和尖棱
⊘ 圆柱度	英寸 .003-.015 毫米 0.1-0.4
△ 面轮廓度	内圆角
∩ 线轮廓度	英寸 .020 毫米 0.5
∩ 圆跳动	表面粗糙度
⊕ 位置度	英制 125 米制 3.2
⊙ 同轴度	米制尺寸显示在 []
≡ 对称度	

绘图:	AS	10-21-2010
批准:	TZ	10-21-2010
第三角投影		图纸格式发布日期 02-22-2008 图纸格式版本 G
机密: 本图纸及相关信息所有权归REGAL-BELOIT CORPORATION. 未经REGAL-BELOIT CORPORATION书面授权, 不得泄露、复制、传播或作其他用途。一版权所有		

名称	
MODEL-CFHP-56FR OUTLINE	
图幅	图号
C	B795
比例	页号
NONE	1

ASME Y14.5M 1994
