

REV	ECO	REV BY	DATE	APPD	DATE
C	0025533	E.SINECIO	04-25-2012	R.RASCON	04-25-2012

NAMEPLATE DATA	EXTERNAL CONNECTION DIAGRAM	NOTES
MODEL: 165125 CUST PN: B817 HP: 3.0 SF: 1.15 ROT: CCWPE RPM: 3450 TYPE: CX CODE: F FORM: - FRAME: Y 56 C VOLTS: 208-230 AMPS: SF 15.0-13.6 MAX AMPS: - SF AMPS: - PH: 1 HZ: 60 INS: B AMB: 50°C DUTY: CONT ENCLOSURE: ODP THERMALLY PROTECTED		1. PILOT DIAMETER IS CONCENTRIC WITH SHAFT CENTERLINE WITHIN .006[.15] T.I.R. 2. FACE OF MOUNTING FLANGE IS PERPENDICULAR TO SHAFT CENTERLINE WITHIN .004[.10] T.I.R. 3. SHAFT RUNOUT NOT TO EXCEED .002[.05] T.I.R. 4. END PLAY NOT TO EXCEED .010[.25] MEASURED WITH NO THRUST. 5. FINISH PAINT TO BE BLACK.

PERFORMANCE CURVE 15530411	APPROVED SAMPLE -	GEOMETRIC CHARACTERISTICS & SYMBOLS ▭ FLATNESS - STRAIGHTNESS ∠ ANGULARITY ⊥ PERPENDICULARITY (SQUARENESS) // PARALLELISM ○ ROUNDNESS (CIRCULARITY) ⌀ CYLINDRICITY △ PROFILE OF ANY SURFACE ∩ PROFILE OF ANY LINE ↑ RUNOUT ⊕ TRUE POSITION ⊙ CONCENTRICITY = SYMMETRY	UNLESS OTHERWISE SPECIFIED DIM. TOLERANCES ARE AS FOLLOWS: INCH X XX XXX XXXX ±.1 ±.02 ±.005 ±.0005 mm ±0.5 ±0.13 ±0.013 ANG. ±.50 DEG REMOVE BURRS & BREAK SHARP EDGES: INCH .003-.015 mm 0.1-0.4 CORNER FILLETS TO: INCH .020 mm 0.5 MACHINE SURFACES: INCH 125 mm 3.2	DR BY: AS APPD: TZ 10-21-2010 10-21-2010 EDS DATE 02-22-2008 FORMAT REV G	REGAL-BELOIT CORPORATION DESCRIPTION MODEL-CFHP-56FR OUTLINE SIZE C DWG NO B817 SCALE NONE SHEET 1
UL COMPONENT E14663	CSA XZWR2		ASME Y14.5M 1994 METRIC DIMS. SHOWN IN [BRACKETS]	THIRD ANGLE PROJECTION CONFIDENTIAL: THIS DRAWING AND ITS INFORMATION ARE THE EXCLUSIVE AND CONFIDENTIAL PROPERTY OF REGAL-BELOIT CORPORATION AND ARE NOT TO BE DISCLOSED, DUPLICATED, DISTRIBUTED OR OTHERWISE USED WITHOUT THE WRITTEN CONSENT OF REGAL-BELOIT CORPORATION. -ALL RIGHTS RESERVED.	

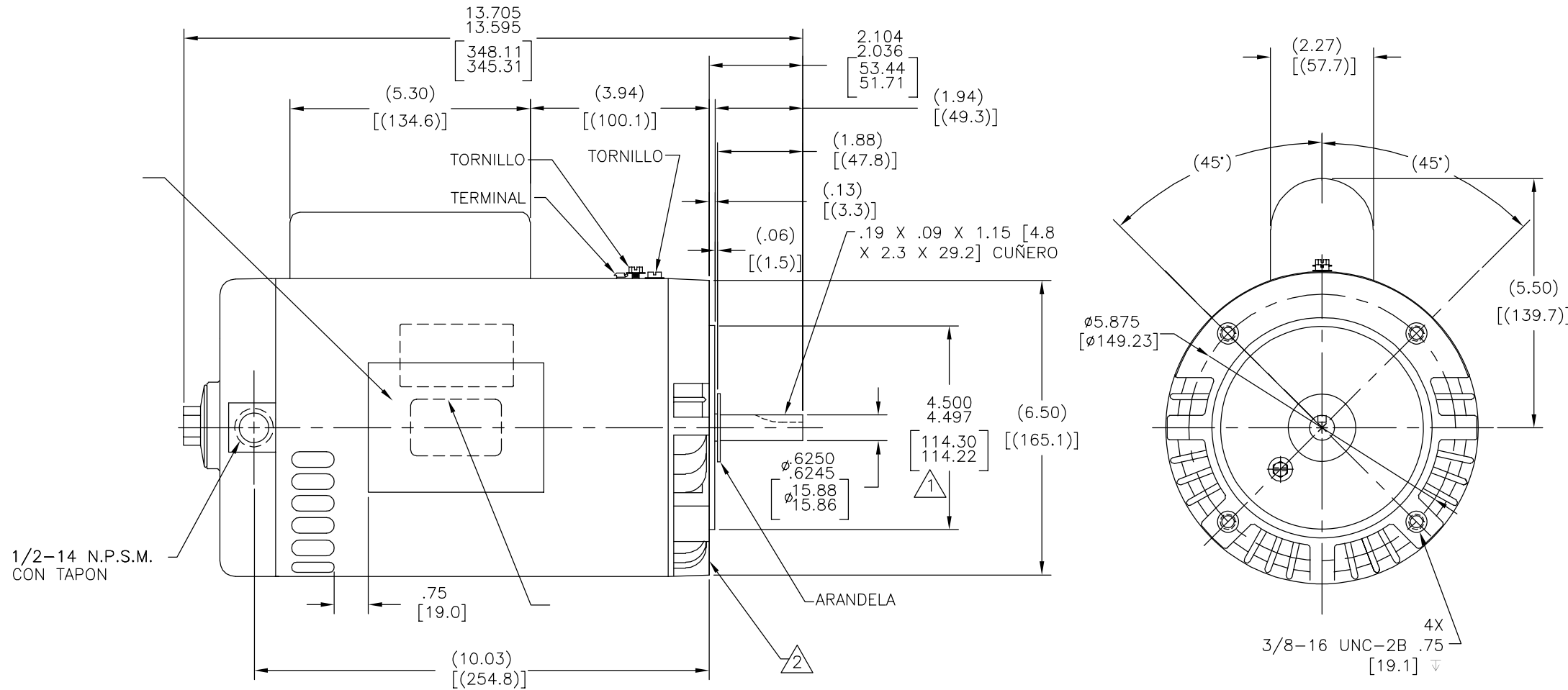
4

3

2

1

REVISION:	ECO	REVISADO POR:	FECHA:	APROBADO POR:	FECHA:
C	0025533	E.SINECIO	04-25-2012	R.RASCON	04-25-2012



1/2-14 N.P.S.M.  
CON TAPON

3/8-16 UNC-2B .75  
[19.1]

NAMEPLATE DATA	EXTERNAL CONNECTION DIAGRAM	NOTES
MODEL: 165125 CUST PN: B817 HP: 3.0 SF: 1.15 ROT: CCWPE RPM: 3450 TYPE: CX CODE: F FORM: - FRAME: Y 56 C VOLTS: 208-230 AMPS: SF 15.0-13.6 MAX AMPS: - SF AMPS: - PH: 1 HZ: 60 INS: B AMB: 50°C DUTY: CONT ENCLOSURE: ODP THERMALLY PROTECTED		1. DIAMETRO DEL PILOTO ES CONCENTRICO A LINEA CENTRAL DE LA FLECHA DENTRO DE .006[.15] L.T.I. 2. EL REBORDE DE LA CARA DE MONTAJE ES PERPENDICULAR A LINEA CENTRAL DE FLECHA DENTRO DE .004[.10] L.T.I. 3. NO EXCEDER .002[.05] L.T.I. LA OSCILACION DE LA FLECHA 4. EL JUEGO AXIAL NO DEBE EXCEDER .010[.25]. MEDIDO SIN EMPUJE. 5. LA PINTURA DE ACABADO FINAL DEBE SER NEGRA.

PERFORMANCE CURVE	APPROVED SAMPLE	CARACTERISTICAS DE GEOMETRIA Y SIMBOLOS □ PLANICIDAD - RECTITUD < ANGULARIDAD ⊥ PERPENDICULARIDAD (A ESCUADRA) // PARALELISMO ○ REDONDEZ (CIRCULARIDAD) ∅ CILINDRICIDAD △ PERFIL DE CUALQUIER SUPERFICIE ▲ PERFIL DE CUALQUIER LINEA † VARIACION ⊕ POSICION REAL ⊙ CONCENTRICIDAD = SIMETRIA	DIBUJADO POR: AS 10-21-2010 APROBADO POR: TZ 10-21-2010 TERCER ANGULO DE PROYECCION FECHA EDS: 02-22-2008 REV. FORMATO: G
15530411	-		A MENOS QUE SE ESPECIFIQUE DE OTRA MANERA, LAS TOLERANCIAS DE LAS DIMS; SON LAS SIGUIENTES: PULG ±.1 ±.02 ±.005 ±.0005 mm ±0.5 ±0.13 ±0.013 ANG. ± 50 GRADOS ELIMINAR REBABAS Y ORILLAS FILOSAS DEL BORDE. PULG .003-.015 mm 0.1-0.4 FILETEAR ESQUINA: PULG .020 mm 0.5 MAQUINAR SUPERFICIES PULG 125 mm 3.2 DIMS METRICAS MOSTRADAS [PARENTESIS]
UL COMPONENT	CSA		REGAL-BELOIT CORPORATION DESCRIPCION: MODEL-CFHP-56FR OUTLINE TAMAÑO: C NUMERO DE DIBUJO: B817 ESCALA: NONE HOJA: 1
FILE#	CCN#	FILE#	GUIDE#
E14663	XZWR2	LR4642	4211-01
CUSTOMER	DISTRIBUTION		

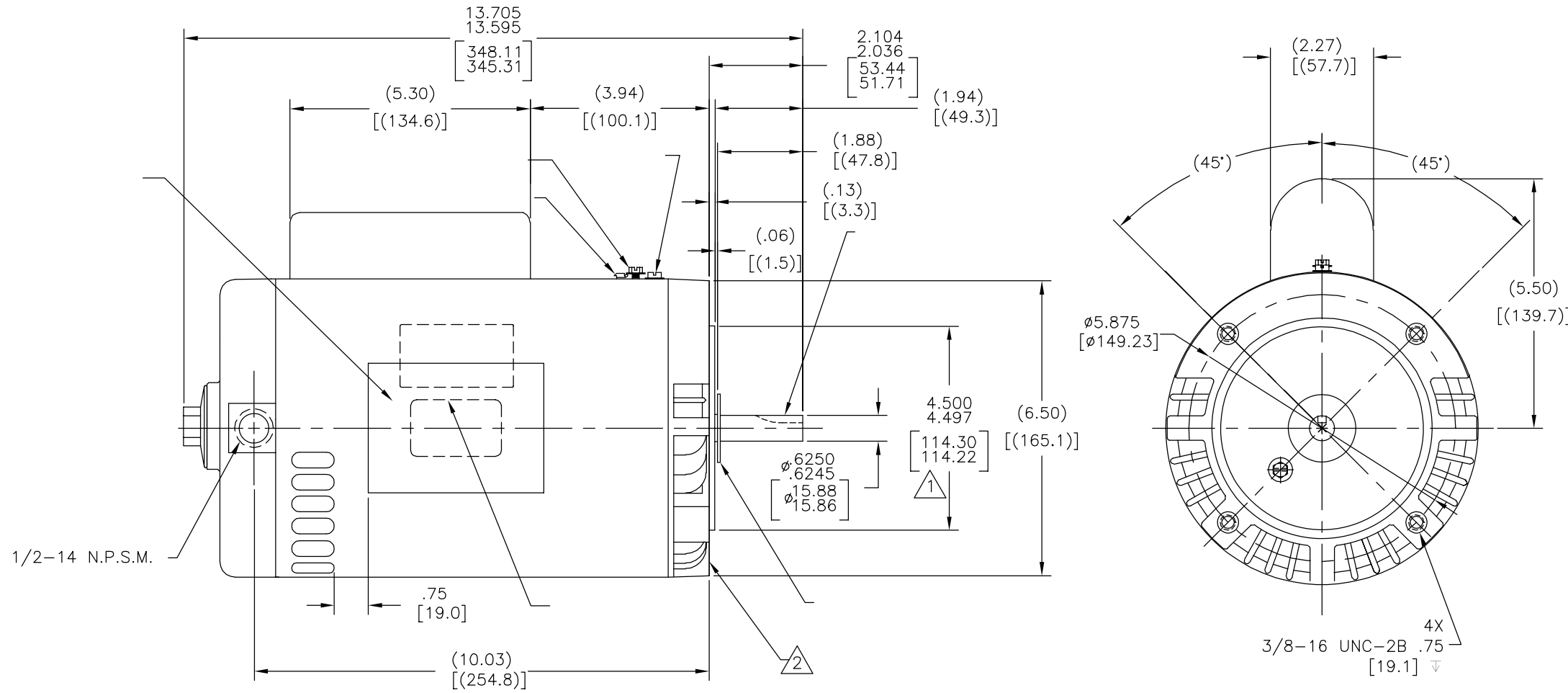
4

3

2

1

版本	ECO	编制	日期	批准	日期
C	0025533	E.SINECIO	04-25-2012	R.RASCON	04-25-2012



NAMEPLATE DATA	EXTERNAL CONNECTION DIAGRAM	NOTES
MODEL: 165125 CUST PN: B817 HP: 3.0 SF: 1.15 ROT: CCWPE RPM: 3450 TYPE: CX CODE: F FORM: - FRAME: Y 56 C VOLTS: 208-230 AMPS: SF 15.0-13.6 MAX AMPS: - SF AMPS: - PH: 1 HZ: 60 INS: B AMB: 50°C DUTY: CONT ENCLOSURE: ODP THERMALLY PROTECTED		△ △

PERFORMANCE CURVE	APPROVED SAMPLE		
15530411	-		
UL COMPONENT	CSA		
FILE#	CCN#	FILE#	GUIDE#
E14663	XZWR2	LR4642	4211-01
CUSTOMER	DISTRIBUTION		

形位公差	除另有注明
□ 平面度	尺寸公差如下:
— 直线度	英寸 X XX XXX XXXX
∠ 倾斜度	英寸 ±.1 ±.02 ±.005 ±.0005
⊥ 垂直度	毫米 ±0.5 ±0.13 ±0.013
// 平行度	角度 ±.50 度
○ 圆度	清理毛刺和尖棱
⊘ 圆柱度	英寸 .003-.015 毫米 0.1-0.4
△ 内圆角	英寸 .020 毫米 0.5
∩ 面轮廓度	表面粗糙度
∩ 线轮廓度	英制 125 米制 3.2
↗ 圆跳动	米制尺寸显示在 [ ]
⊕ 位置度	
⊙ 同轴度	
≡ 对称度	

绘图:	AS	10-21-2010
批准:	TZ	10-21-2010
第三角投影		图纸格式发布日期 02-22-2008 图纸格式版本 G
机密: 本图纸及相关信息所有权归REGAL-BELOIT CORPORATION. 未经REGAL-BELOIT CORPORATION书面授权, 不得泄露、复制、传播或作其他用途。一版权所有		

名称	
MODEL-CFHP-56FR OUTLINE	
图幅	图号
C	B817
比例	页号
NONE	1

ASME Y14.5M 1994
------------------