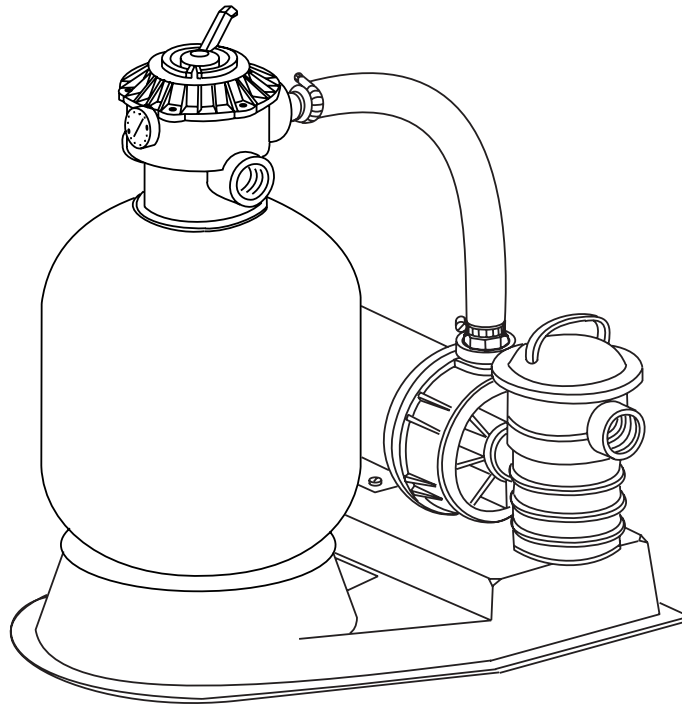




Pump and Sand Filter System



Installation and User's Guide

IMPORTANT SAFETY INSTRUCTIONS
READ AND FOLLOW ALL INSTRUCTIONS
SAVE THESE INSTRUCTIONS

Technical Support

Sanford, North Carolina (8 A.M. to 5 P.M. ET)

Moorpark, California (8 A.M. to 5 P.M. PT)

Phone: (800) 831-7133

Fax (800) 284-4151

Web sites: visit www.pentairpool.com and staritepool.com

Contents	
Warnings and Important Safety Precautions	i
Section 1: Pump and Sand Filter System Overview	1
Valve Position and Water Flow Directions	2
Section 2: Installation	3
Section 3: Operation and Maintenance	10
Initial Start-Up	10
Maintenance	11
Cleaning	12
Filter Backwash Procedure	13
Chemical Cleaning	14
Replacement of Valve Top and Diverter Assembly	15
Winterizing the System	16
Section 4: Troubleshooting	17
Section 5: Technical Data and Replacement Parts	17

© 2009 Pentair Water Pool and Spa, Inc. All rights reserved

This document is subject to change without notice

1620 Hawkins Ave., Sanford, NC 27330 • (919) 566-8000

10951 West Los Angeles Ave., Moorpark, CA 93021 • (805) 553-5000

Pentair Water Pool and Spa® is a registered trademark of Pentair Water Pool and Spa, Inc. and/or its affiliated companies in the United States and/or other countries. Filter-Cleanse™ is a trademark of Advantis Technologies Inc. and Klean It® is a registered trademark of BioLab, Inc. Unless noted, names and brands of others that may be used in this document are not used to indicate an affiliation or endorsement between the proprietors of these names and brands and Pentair Water Pool and Spa, Inc. Those names and brands may be the trademarks or registered trademarks of those parties or others.

P/N 152007 Rev A - 12/09/09

Pump and Sand Filter System Installation and User

WARNINGS AND IMPORTANT SAFETY PRECAUTIONS

⚠ DANGER SERIOUS BODILY INJURY OR DEATH CAN RESULT IF THIS PUMP AND SAND FILTER IS NOT INSTALLED AND USED CORRECTLY.

⚠ DANGER INSTALLERS, POOL OPERATORS AND POOL OWNERS MUST READ THESE WARNINGS AND ALL INSTRUCTIONS BEFORE USING THIS PUMP AND SAND FILTER.

⚠ WARNING This pump and sand filter system is intended for use in swimming pool applications.

⚠ WARNING Most states and local codes regulate the construction, installation, and operation of public pools and spas, and the construction of residential pools and spas. It is important to comply with these codes, many of which directly regulate the installation and use of this product. Consult your local building and health codes for more information.



IMPORTANT NOTICE - Attention Installer: This Installation and User's Guide ("Guide") contains important information about the installation, operation and safe use of this pump and sand filter. This Guide should be given to the owner and/or operator of this equipment.

⚠ WARNING Before installing this product, read and follow all warning notices and instructions in this Guide. Failure to follow warnings and instructions can result in severe injury, death, or property damage. Call (800) 831-7133 for additional free copies of these instructions. Please refer to www.pentair.com for more information related to these products.



⚠ DANGER Water temperature in excess of 100° F (37.7° C) may be hazardous to your health. Prolonged immersion in hot water may induce hyperthermia. Hyperthermia occurs when the internal temperature of the body reaches a level several degrees above normal body temperature of 98.6° F (37° C.). Effects of hyperthermia include: (1) Unawareness of impending danger. (2) Failure to perceive heat. (3) Failure to recognize the need to leave the spa. (4) Physical inability to exit the spa. (5) Fetal damage in pregnant women. (6) Unconsciousness resulting in danger of drowning. The use of alcohol, drugs, or medication can greatly increase the risk of fatal hyperthermia in hot tubs and spas.

⚠ WARNING To reduce the risk of injury, do not permit children to use or operate this pump and sand filter.

⚠ WARNING When setting up pool water turnovers or flow rates the operator must consider local codes governing turnover as well as disinfectant feed ratios.

⚠ WARNING DO NOT increase pump size; this may increase the flow rate through the system and exceed the maximum flow rate stated on the drain cover.

⚠ WARNING If this pump and sand filter is intended for use in other than single-family dwellings, a clearly labeled emergency switch shall be provided as part of the installation. The switch shall be readily accessible to the occupants and shall be installed at least 5 feet (1.52 m) away, adjacent to, and within sight of, this pump and sand filter system.

WARNINGS AND IMPORTANT SAFETY PRECAUTIONS



High Pressure from the sand filter can cause severe injury or major property damage due to tank separation.

Release all pressure and read instructions before working on the sand filter. If the filter clamp is adjusted under pressure, the tank can separate, causing serious injury or major property damage.



BEFORE WORKING ON FILTER!

- (1) Stop pump.
- (2) Open air release valve.
- (3) Release all pressure from system.

RISK OF ELECTRICAL SHOCK OR ELECTROCUTION:



PUMPS REQUIRE HIGH VOLTAGE WHICH CAN SHOCK, BURN, OR CAUSE DEATH.

BEFORE WORKING ON PUMP!

Always disconnect power to the pool pump at the circuit breaker before servicing the pump. Failure to do so could result in death or serious injury to service person, pool users or others due to electric shock.



A pool or spa pump must be installed by a qualified pool and spa service professional in accordance with the National Electrical Code and all applicable local codes and ordinances. Improper installation may create an electrical hazard which could result in death or serious injury to pool users, installers, or others due to electrical shock, and may also cause damage to property.



Pumps improperly sized or installed or used in applications other than for which the pump was intended can result in serious personal injury or death. These risks may include but not be limited to electric shock, fire, flooding, suction entrapment or serious injury or property damage caused by a structural failure of the pump or other system component.



Never exceed the maximum stated pump flow rating.

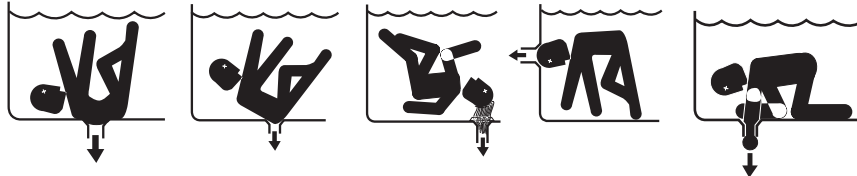
Only use a pumping system rated for the corresponding flow. FAILURE TO DO SO CAN RESULT IN HAIR OR BODY ENTRAPMENT WHICH CAN CAUSE SERIOUS PERSONAL INJURY OR DEATH. If in doubt about the rating of your system, consult a qualified pool service professional.



Pumps are not a substitute for properly installed and secured pool drain covers. An ANSI/ASME A112.19.8 approved anti-entrapment drain cover must be used for each drain. Pools and spas should utilize a minimum of two drains per pump. Regularly inspect all covers for cracks, damage and advanced weathering. If a cover becomes loose, cracked, damaged, broken or is missing, close the pool or spa immediately, shut off the pump, post a notice and keep the pool or spa closed until an appropriate VGB 2008 certified cover is properly installed. Covers deteriorate over time due to exposure to sunlight and pool chemicals. This cover must be replaced within seven (7) years from installation (or earlier if the cover becomes damaged in any way).

WARNINGS AND IMPORTANT SAFETY PRECAUTIONS

⚠ DANGER SUCTION ENTRAPMENT HAZARD



Pool and spa pumps move large volumes of water, which can pose extreme danger if a person's hair comes in close proximity to a drain that is not the proper size for the pump or pumps.

Hair Entanglement – When the hair tangles or knots in the drain cover, trapping the swimmer underwater. This hazard is present when the flow rating of the cover is too small for the pump or pumps.

Limb Entrapment – When a limb is sucked or inserted into an opening resulting in a mechanical bind or swelling. This hazard is present when a drain cover is missing, broken, loose, cracked or not properly secured.

Body Entrapment – When a portion of the body is held against the drain cover trapping the swimmer underwater. This hazard is present when the drain cover is missing, broken or the cover flow rating is not high enough for the pump or pumps.

Evisceration/Disembowelment – When a person sits on an open pool (particularly a child wading pool) or spa outlet and suction is applied directly to the intestines, causing severe intestinal damage. This hazard is present when the drain cover is missing, loose, cracked, or not properly secured.

Mechanical Entrapment – When jewelry, swimsuit, hair decorations, finger, toe or knuckle is caught in an opening of an outlet or drain cover. This hazard is present when the drain cover is missing, broken, loose, cracked, or not properly secured.

WARNINGS AND IMPORTANT SAFETY PRECAUTIONS

The Virginia Graeme Baker Pool and Spa Safety Act imposes certain new requirements on owners and operators of swimming pools and spas. Pools or spas constructed on or after December 20, 2008, shall utilize:

- (A) No submerged suction outlets, a gravity drainage system with ASME/ANSI cover(s), one or more unblockable outlets; or
- (B) A multiple main drain system without isolation capability with suction outlet covers that meet ASME/ANSI A112.19.8 Suction Fittings for Use in Swimming Pools, Wading Pools, Spas, and Hot Tubs and either:
 - (i) A safety vacuum release system (SVRS) meeting ASME/ANSI A112.19.17 Manufactured Safety Vacuum Release Systems (SVRS) for Residential and Commercial Swimming Pool, Spa, Hot Tub, and Wading Pool Suction Systems and/or ASTM F2387 Standard Specification for Manufactured Safety Vacuum Release Systems (SVRS) for Swimming Pools, Spas and Hot Tubs or
 - (ii) A properly designed and tested suction-limiting vent system or
 - (iii) An automatic pump shut-off system.

Pools and spas constructed prior to December 20, 2008, with a single submerged suction outlet shall use a suction outlet cover that meets ASME/ANSI A112.19.8 and either:

- (A) A multiple main drain system without isolation capability, or
- (B) A safety vacuum release system (SVRS) meeting ASME/ANSI A112.19.17 and/or ASTM F2387, or
- (C) A properly designed and tested suction-limiting vent system, or
- (D) An automatic pump shut-off system, or
- (E) Disabled submerged outlets, or
- (F) Suction outlets shall be reconfigured into return inlets.

For information about the Virginia Graeme Baker Pool and Spa Safety Act, contact the Consumer Product Safety Commission at (301) 504-7908 or visit www.cpsc.gov.

NOTE: Always turn off all power to the pool pump before installing the cover or working on any suction outlet.

Two Speed Pump Controls Notice (Title 20 Compliance)


Please read the following important Safety Instructions. When using two-speed pumps manufactured on or after January 1, 2008, the pump's default circulation speed **MUST** be set to the **LOWEST SPEED**, with a high speed override capability being for a temporary period not to exceed one normal cycle, or two hours, whichever is less.

Section 1

Pump and Sand Filter System Overview

This system operates under pressure and if assembled improperly or operated with air in the water circulation system it can separate and result in an accident causing serious bodily injury. A warning label has been affixed to the filter and should not be removed. Keep safety labels in good condition and replace if missing or illegible. (For free labels call, (919)-774-4151). Pumps and filters should never be tested or subjected to air or gas under pressure. All gases are compressible and under pressure create a danger. Serious bodily injury or property damage could occur if the pump or filter is subjected to air or gas pressure.

The system consists primarily of a centrifugal pump, a high rate sand filter with control valve, a connecting hose and a mounting base. Your centrifugal pump is driven by an electric motor. The motor is directly attached to the pump impeller. As the electric motor turns it causes the impeller to turn and this causes the water to flow. The water flows into the hair and lint pot inlet and through the basket assembly to prestrain large particles. The flow then enters the center of the pump housing. The flow goes through the impeller into the stationary diffuser, out the pump discharge port, through the connecting hose and into the filter control valve. Dirt is collected in the filter as the water flows through the control valve at the top of the filter and is directed downward onto the top surface of the filter sand bed. The dirt is collected in the sand bed and the clean water flows through the lower piping at the bottom of the filter up through the center pipe into the control valve at the top of the filter. Clean water then returns through the piping system to the pool. The pressure will rise and the flow to the pool will be lowered as the dirt is collected in the filter. Eventually, the filter will become so plugged with dirt that it will be necessary to perform the backwash procedure. It is important to know when to backwash the filter. For backwashing information, see page 12 and 13. The six (6) operating position and one (1) "Winterize" position valve is designed to provide all the necessary positions required to operate, maintain, troubleshoot and service your sand filter.

 **DANGER** Air entering the filter and a valve clamp not closed properly can cause the valve to separate and could cause serious bodily injury and/or property damage.

 **WARNING** To prevent equipment damage and possible injury, always turn pump off before changing valve position.

⚠ WARNING

This filter operates under high pressure. When any part of the circulating system (e.g., clamp, pump, filter, valves, etc.) is serviced, air can enter the system and become pressurized. Pressurized air can cause the lid or control valve to separate which may result in serious injury, death, or property damage. To avoid this potential hazard, follow these instructions.

1. Before repositioning valves and before beginning the assembly, disassembly, or adjustment of the clamp or any other service of the circulating system:
 - (a) Turn the pump off and shut off any automatic controls to ensure the system is not inadvertently started during the servicing;
 - (b) Open manual air relief valve;
 - (c) Wait until all pressure is relieved, pressure gauge must read zero (0).
2. Whenever installing the filter clamp, follow the filter valve and clamp installation instructions exactly.
3. Once service on the circulating system is complete, follow system restart instructions exactly.
4. Maintain circulation system properly. Replace worn or damaged parts immediately (e.g., clamp, pressure gauge, relief valve, o-rings, etc.).
5. Be sure that the filter is properly mounted and positioned according to instructions provided.

Valve Position and Water Flow Directions

FILTER: From pump, through valve, downward through filter sand bed, up through center pipe to valve return port, and back to the pool for normal filter action and vacuuming pool through filter.

BACKWASH: From pump, through valve, down through center pipe, up through filter sand to valve, and out wasteport. This position is used for cleaning filter by reversing flow.

RINSE: From pump, through valve, downward through filter sand, up through center pipe to valve and out waste port. This position is used for start up cleaning and resettling filter bed after backwashing.

WASTE: From pump, through valve, bypasses filter and goes to wasteport. This position is for vacuuming directly to waste, lowering pool level, or draining pool.

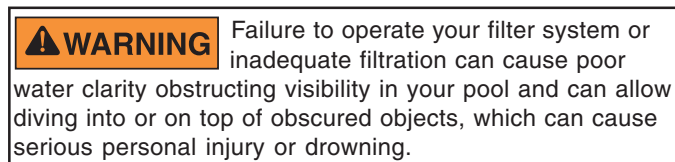
CLOSED: NO FLOW IN THIS POSITION - **DO NOT USE THIS SETTING WITH PUMP OPERATING.**

RECIRCULATING: From pump, through valve, bypass filter and goes to return port and back to pool. This position is for circulating water without going through filter.

WINTERIZING: Valve position for a winterized sand filter, see page 16.

Please note that a sand filter removes suspended matter and does not sanitize the pool. The pool water must be sanitized and the water must be balanced for sparkling clear water. Pool chemistry is a specialized area and you should consult your local pool service specialist for specific details. In general proper pool sanitation requires a free chlorine level of 1 to 2 PPM and a pH range of 7.2 to 7.6.

Your filtration system should be designed to meet your local health codes. As a minimum, you must be sure that your system will turnover the total volume of water in your pool at least twice in a twenty-four (24) hour period.



Section 2

Installation


1. **Read and understand all instructions before attempting to install, operate, or maintain your pump and sand filter system.**
2. Provide space and lighting for routine maintenance access. Locate the system close to the pool. See Figure 1 for typical installation.

Note: Install electrical controls (e.g., on/off switches, timers, control systems, etc.) at least five (5) feet from the filter. This will allow you enough room to stand clear of the filter during system start up.

Systems that are unassembled should be assembled at this point. See special instructions A through G.

 - A. Make sure all electrical breakers and switches to the pump are switched off, and disconnect the communication cable from the pump before installing the base.
 - B. Remove all individual components from carton and inspect for any visible damage. If carton or parts are damaged contact seller or freight company.
 - C. Place the system support base on the ground close to the final location of the unit. See Figure 1 on the next page.

⚠ DANGER This filter operates under pressure. With the valve clamped properly and operated without air in the system, this filter will operate in a safe manner. Air entering the filter and the valve not clamped correctly can cause the valve to separate, which could cause serious personal injury and/or property damage.



⚠ WARNING Always turn pump off before changing valve positions. Changing valve positions while the pump is running can damage the control valve, which may cause serious injury or property damage.

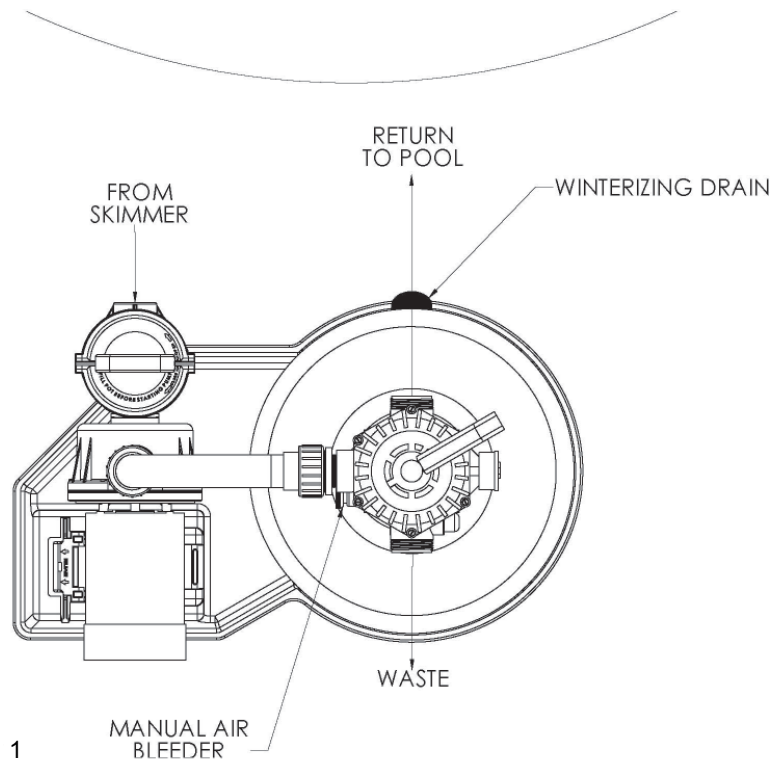
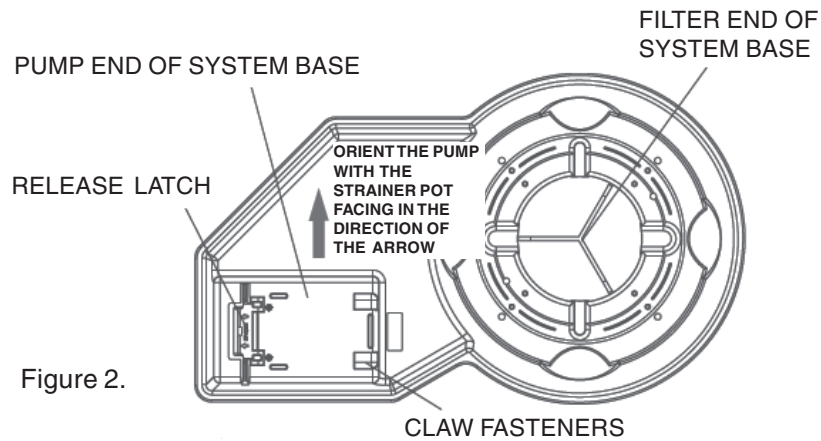


Figure 1

- D. Examine the bottom of the filter and confirm the orientation of the small mounting protrusions on the tank.
- E. Align the protrusions on the tank with the corresponding recesses in the filter support portion of the base and place the filter on the base.

- F. The pump may now be attached to the pump support side of the base. The pump should be oriented as indicated in Figure 2.



- G. Slide the pump foot between the claw fasteners and the release latch. See Figure 3. Seat the pump by pushing down on it until the release latch clicks into place on the pump foot. See Figure 4. The pump should be positioned as indicated in Figure 5. Install the two push-in fasteners through the slots in the foot of the motor, into the two holes in the base near the release latch.

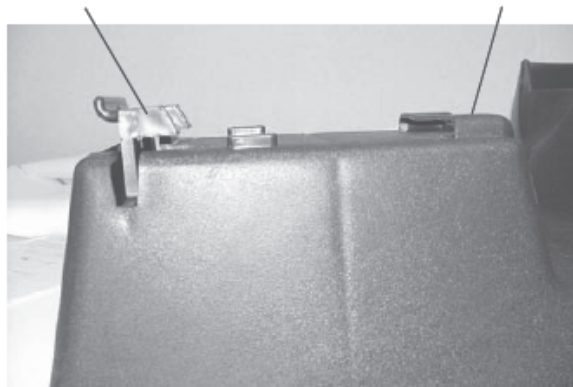


Figure 3.

6

3. Now, move the system to its final position. The system must be placed on level solid earth. The entire system filled with sand and water can weigh several hundred pounds.

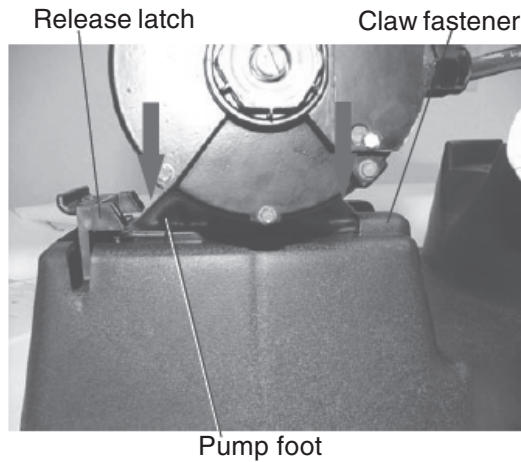


Figure 4.

4. Be certain to install the precise amount of filter sand listed on your filter nameplate. You must use only No. 20 standard silica sand having a uniformity coefficient of 1.75 or less. No. 20 silica sand has a particle size of .018-.022 inches (.45 to .55mm). Before pouring the sand into the filter, look inside and check the lower under drain for broken or loose laterals (or fingers), which may have been accidentally damaged by rough handling during shipment. Replace any parts as necessary.
5. Install the sand guide in the top of the filter and fill the tank about half full of water. Pour the sand into the top of the filter at a slow rate so that the weight of the sand does not damage the laterals. After the required amount of sand has been installed, remove and discard the sand guide. Wash away all sand around the opening at the top of the tank.

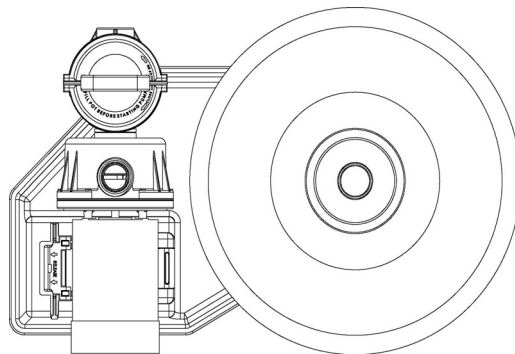


Figure 5.

6. Be sure top of filter is free of any sand or debris and valve o-ring is in place on valve body. Install valve so that the port locations are in the desired final position. See Figure 1 (see page 4).
7. Be sure that the valve is firmly pushed into the top of the tank and that the flange of the tank and the flange of the valve are contacting each other. See Figure 6.

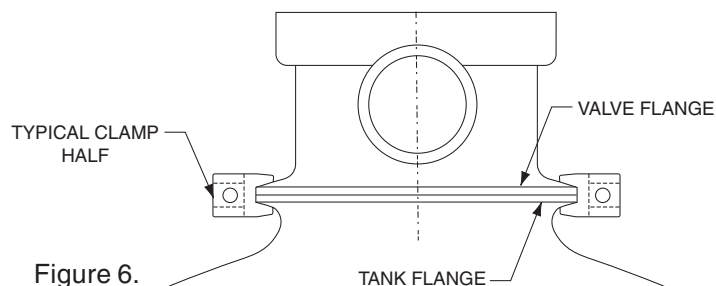


Figure 6.

8. The plastic clamp can now be installed. Place the clamp half over the valve flange and the tank flange as shown in Figure 6. Insert the valve screws and nuts into the clamp half making sure that the nuts are located in the special hexagonal retainer slots on the clamps. See Figure 7.

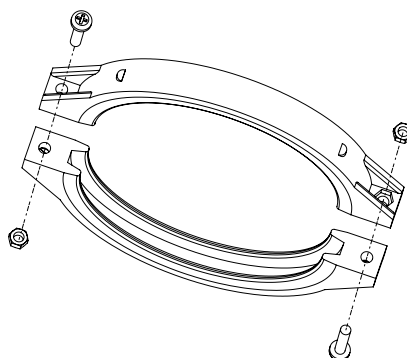


Figure 7.

9. Tighten clamp screws firmly and visually check the valve tank and clamp assembly to insure that the joint is correctly assembled.

**WARNING**

High Pressure:
Improper tank valve
assembly could cause the
valve to separate and cause
serious injury and/or major
property damage.

10. Valve ports are labeled with the location of where they should be connected i.e. pump port must go to pump discharge, waste port must go to waste line, and return port must go to the pool return.
11. The filter unit has a maximum operating pressure listed on the filter nameplate. **DO NOT OPERATE** this unit above the maximum operating pressure of the valve or the filter. Never connect the filter and valve unit to a pump which can generate a pressure that exceeds the operating pressure of the filter or valve.
12. Use sealant on all tapered male connections of pipes and fittings. Use only sealant compounds suited for plastic pipe. Support pipe to prevent strains on filter, pump, or valve. **DO NOT USE PETROLEUM BASE PRODUCTS. NOTICE: All valve internal threads are tapered except the air bleeder connection. Do not over tighten tapered threaded connection.**
13. Install pressure gauge in ¼” NPT port directly across from the pump port of the valve.
14. Never store pool chemicals within 10 feet of your pool filter, pump, or valve. Pool chemicals should be stored in a cool, dry, well ventilated area.

⚠ WARNING Chemical fumes and/or spills can cause serious corrosion to the filter and pump structural components. Structurally weakened components can cause filter, pump or valve attachments to separate and could cause serious bodily injury or property damage.

⚠ WARNING The system's centrifugal pump operates with electrical voltage, and can generate both vacuum and pressure in the water system. When properly wired and plumbed, this pump will operate in a safe manner.

⚠ WARNING High voltage can cause serious or fatal injury. Always install a suitable GFCI at the power source of this unit as an added safety precaution. Article 681-31 of the NEC requires that a GFCI be used if this pump is used with a storable pool.

15. Avoid over tightening the pipe threads when connecting fittings to the pump or valve. Proper procedure is to apply a pipe sealant to the thread and then install hand tight plus one (1) turn. **DO NOT OVER TIGHTEN.**
16. The pump suction line should not be smaller than the pipe on the inlet of the pump.
17. **Electrical connection of the pump should be performed by a qualified pool and spa service professional in accordance with the National Electrical Code or your local electrical code.**

Recommended Circuit Breaker and Wiring Data					
Motor HP	Branch Circuit	Volts/Hz/Phase	Distance in Feet of Branch Circuit		
			0-50 Ft.	50-100 Ft.	
3/4	15 AMP	115/60/1	No. 14	No. 14	Min. Service
1	15 AMP	115/60/1	No. 12	No. 12	Wire
1-1/2	20 AMP	115/60/1	No. 12	No. 10	Size
1-1/2	15 AMP	230/60/1	No. 14	No. 14	To Motor

⚠ WARNING Blockage of suction fittings can cause serious or fatal injury due to drowning. To reduce the risk of injury, do not permit children to operate this product.

⚠ WARNING Never work on the pump while it is running or power is still connected. High voltage can cause serious or fatal injury. A suitable ground fault interrupter should always be installed at the power supply source of this unit. Be sure to ground the motor before connecting to electrical AC power supply. Failure to ground the motor can cause serious or fatal electrical shock hazard. **DO NOT** ground to a gas supply pipe line.

18. Use lug on top of motor frame to bond together motor and all metallic parts of pool, spa, or hot tub structure and all electrical equipment, metal conduit, and metal piping with a solid copper conductor not less than No. 8 A.W.G.
19. The pump motor must be wired for the proper voltage in accordance with the wiring diagram supplied with the motor. **Note: Wiring the motor with the incorrect supply voltage will cause damage to the motor and void warranty.**
20. The wiring to the motor should be kept as short as possible and large enough NOT to cause excessive voltage drop which could damage your pump. Use the chart above as a guide to ensure adequate voltage is supplied to the pump.
21. **The product may be furnished with a 6 ft. three (3) prong test cord. The cord is provided for your convenience to allow you to check the pump operation before installing the system on the pool. The test cord should NOT be used for permanent connection.** When checking the pump operation, do not run the pump longer than 30 seconds. Damage to the pump's mechanical seal could result if ran longer than 30 seconds.

⚠ WARNING

FOR CORD AND PLUG-CONNECTED UNITS

⚠ DANGER



RISK OF ELECTRICAL SHOCK:

Connect only to a ground type receptacle protected by a Ground Fault Circuit Interrupter (GFCI). Contact a qualified electrician if you cannot verify that the receptacle is protected by GFCI.

Do Not Bury Cord. Locate cord to minimize abuse from lawn mowers, hedge trimmers, and other equipment.

To reduce the risk of electrical shock, replace damaged cord immediately.

To reduce the risk of electrical shock, Do Not Use an extension cord to connect unit to electrical supply; provide a properly located outlet.

Section 3

Operation and Maintenance

Initial Start-Up

1. Clean a new pool before filling it with water. Excessive dirt and large particles can cause damage to the pump and sand filter system.
2. Verify the backwash line is open so that water is free to come from the pool and flow out the backwash line. Set the valve in “Backwash” position.

⚠ DANGER




This filter operates under pressure. With the valve clamped properly and operated without air in the system, this filter will operate in a safe manner. Air entering the filter and the valve not clamped correctly can cause the valve to separate, which could cause serious personal injury and/or property damage.

⚠ WARNING

Always turn pump off before changing valve positions. Changing valve positions while the pump is running can damage the control valve, which may cause serious injury or property damage.

3. Make sure the pump pot is full with water before starting the pump. Keep all air vents on underside of motor (or motor enclosure) free of debris to ensure proper cooling of motor.
4. Check valve clamp on filter for proper assembly. **Note:** See instructions under “Installation” section of this manual if in doubt.
5. Open manual air bleeder on filter. **STAND CLEAR OF FILTER** and start the pump, allowing it time to prime.
Note: Install electrical controls (e.g., on/off switches, timers, control systems, etc.) at least five (5) feet from the filter. This will allow you enough room to stand clear of the filter during system start up.
6. Close the air bleeder on the filter when a steady stream of water emerges.

Note: Pool Filter Sand is typically prewashed and should not require extensive backwashing. However, the shipping process may cause excessive abrasion which could require an extended backwash cycle at initial start-up; continue to backwash for three (3) minutes.

 WARNING	To prevent equipment damage and possible injury, always switch pump off before changing valve position.
--	---

7. Stop the pump. Set the valve to the “Filter” position.
8. Ensure all suction and pool return lines are open so that water is free to come from the pool and return to the pool.
9. Open the manual air bleeder on the filter. **STAND CLEAR OF THE FILTER** and start the pump.
10. Close the air bleeder on the filter when a steady stream of water emerges.
11. The filter has now started its filtering cycle. Be sure the water is returning to the pool and take note of the operating pressure when the filter is clean.

Maintenance

Proper care and maintenance of the pump and sand filter system will add many years of enjoyment to the pool. Follow these suggestions for long trouble free operation.

1. To clean the exterior of the pump and sand filter system of dust and dirt, wash with a mild detergent and water and then hose off. Do not use solvents.
2. If internal filter maintenance is required, sand may be removed by removing the entire drain spigot from the bottom of the filter and flushing with a garden hose.
3. The filter is a pressure vessel and should never be serviced while under pressure. Always relieve tank pressure and open air bleeder on filter before attempting to service the filter.
4. When restarting the filter always open the manual air bleeder on the filter and STAND CLEAR OF FILTER.
5. The strainer basket in the pump should be inspected and cleaned twice each week. Remove the clear lid and the basket, and clean debris from basket. Inspect the lid o-ring; if damaged, replace. The pump seal requires no lubrication. The pump motor should only be serviced by a motor service center.

Cleaning

1. The filter on a new pool should be backwashed, and cleaned after the first 48 hours of operation to clean out construction debris. There are three different ways to identify when the filter needs backwashing:
 - a)** The most accurate indicator on pool systems with a flow meter is to backwash when the flow decreases 30% from original (clean filter) flow. For example, if the original flow was 60 GPM, the filter should be backwashed when the flow is reduced by about 20 GPM (or 30%) to 40 GPM.
 - b)** A more subjective and less accurate indicator is to observe the amount of water flowing from the flow directionals located in the wall of the pool. The filter should be backwashed once it is detected that the flow has been reduced.
 - c)** The most commonly used but least accurate indicator is to backwash when the filter gauge reading increases 10 psi over the initial (clean filter) reading.
2. It is important not to backwash the filter solely on a timed basis such as every three days. It is also important to note that backwashing too frequently actually causes poor filtration. Factors like weather conditions, heavy rains, dust or pollen, and water temperatures all affect the frequency of backwash. As you use your pool, you will become aware of these influences.

Filter Backwash Procedure



WARNING To prevent equipment damage and possible injury, always switch pump off before changing valve position.

1. Stop pump.
2. Be sure the suction and backwash lines are open so that water is free to come from the pool and flow out the backwash line. Set control valve to “Backwash” position.
3. STAND CLEAR OF FILTER and start pump.
4. Backwash filter for approximately three (3) minutes or until backwash water is clean.
5. Stop pump and set valve to “Rinse” position.
6. STAND CLEAR OF FILTER and start pump.
7. Rinse the filter for approximately 30 seconds.
8. Stop pump and set valve to “Filter” position.
9. Be sure the pool return line is open so that water may flow freely from the filter back to the pool.
10. Open manual air bleeder on filter. STAND CLEAR OF FILTER and start pump.
11. Close manual air bleeder on filter when a steady stream of water emerges from the bleeder.
12. The filter has now started its filtering cycle. Be sure the water is returning to the pool and take note of the filter pressure.
13. The filter pressure in Step 12 above should not exceed the pressure originally observed on the filter when it was initially started. If after backwashing, the pressure is 4 to 6 psi above the start condition it will be necessary to chemically clean the sand bed.

Chemical Cleaning

1. It is recommended that one of the following cleaners be used:

FILTER-CLEANSE™ - Advantis Technologies, Inc.

KLEEN IT® - BioLab, Inc.

These cleaners will remove oils, scale and rust from the sand bed in one cleaning operation.

2. Mix a solution following the manufacturer's instructions on the label.
3. Backwash the filter with the valve as described above.
4. If the filter is below pool level, switch pump off and close the appropriate valves to prevent draining the pool.
5. Switch off pump, open filter drain and allow filter to empty. Place valve in “Backwash” position.
6. After filter has drained, close filter drain and remove the pump strainer pot lid.
7. Be sure the backwash lines are open.
8. Switch the pump on and slowly pour the cleaning solution into the pump strainer with the pump running. If filter is below pool, open shut off valve slightly to allow pump to run.
9. Continue adding solution until the sand bed is saturated with cleaning solution.
10. Switch off the pump and leave filter in “Backwash” position. Allow the filter to stand overnight (12 hours).
11. Replace the pump lid and follow backwash procedure as described above.
12. Do not allow the cleaning solution to get into the pool.

Replacement of Valve Top and Diverter Assembly

If the filter control valve stops functioning properly, the problem can usually be corrected by replacing the top and diverter assembly as described below.

1. Switch off pump and open air bleeder to relieve all internal pressure.
2. Set valve handle to “Winterize” position.
3. Remove the six (6) cover screws, washers and nuts.
4. Lift off valve top and diverter assembly.

Note: Valve diverter assembly has the sealing gasket attached to the diverter. When handling the diverter use caution to prevent the sealing surface from being damaged during handling.

5. Clean valve body sealing surface with a soft clean lint free cloth. Inspect surface for damage such as scratches or nicks. If surface is damaged, the valve body must be replaced.
6. Carefully lubricate the new valve top replacement O-Ring with a silicone based lubricant or soapy water. DO NOT use vaseline or a petroleum based lubricant.



WARNING Improper tank valve assembly could cause the valve to separate and cause serious injury or property damage.

7. Place the new valve top handle in the “Winterize” position. Install the new valve top and diverter assembly. Be sure the small recess on the lid and the small bump on valve body are aligned. Install all six (6) screws with backup washer under the screw head. Install the nuts on each screw and finger tighten all six (6) screws. The screws should be tightened progressively by tightening diametrically opposite screws and following a crisscross pattern. Tighten all six (6) valve top attachment screws snug. DO NOT OVER TIGHTEN.

Winterizing the System

⚠ CAUTION Allowing water to freeze in the system will damage the system and cause potential water damage/flooding and potential property damage.

1. In areas that have freezing winter temperatures, protect the pool equipment by backwashing the filter.
2. After backwashing, shut the pump off, open the manual air bleeder on the valve and move the handle to “Winterize” position.
3. Remove the drain cap on the bottom of the filter. The filter will drain very slowly. During the shutdown season, it is recommended to leave the drain plug out.

⚠ CAUTION The control valve should be left in the “Winterize” position during the shutdown season so that the rubber seal of the valve diverter has no pressure on it. Failure to do so can damage the valve diverter seal which can cause property damage from leaking water.

4. Drain all water from the pump housing and piping when freezing temperatures are expected. Remove both drain plugs from the pump to allow the pump to drain completely.
5. If possible, remove the pump and place it in an inside dry location.
6. For an outdoor unprotected location it is best to protect the equipment in a weather proof enclosure.
7. It is recommended to cover the equipment with a tarpaulin or plastic sheet to prevent deterioration from the environment. **DO NOT WRAP THE PUMP MOTOR WITH PLASTIC**, this will cause condensation to form inside the motor.
8. In installations where the pump cannot be drained a 40% Propylene Glycol 60% water solution will protect to -50° F (-45.5° C). **Note: Do not use anti-freeze solutions except Propylene Glycol; as other anti-freeze are highly toxic and will damage the pump.**

Section 4

Troubleshooting

Problem	Cause	Action
Pool water not sufficiently clean.	<ol style="list-style-type: none"> 1. Pool chemistry not adequate to inhibit algae growth. 2. Too frequent a backwash cycle. 3. Improper amount or wrong sand size. 4. Inadequate turnover rate. 	<p>Maintain pool chemistry or consult service technician.</p> <p>Allow pressure to build to 10PSI above clean filter condition before backwashing.</p> <p>Check sand bed depth and sand size or consult pool service technician.</p> <p>Run system for longer time or consult dealer or pool service technician.</p>
Higher filter pressure.	<ol style="list-style-type: none"> 1. Insufficient backwashing. 2. Sand bed plugging with mineral deposits. 3. Partially closed valve or restriction. 	<p>Backwash until effluent runs clear.</p> <p>Chemically clean filter.</p> <p>Open valve or remove obstruction in return line.</p>
Short filter cycles.	<ol style="list-style-type: none"> 1. Improper backwashing. 2. Pool chemistry not adequate to inhibit algae growth. 3. Plugged sand bed. 4. Flow rate too high. 	<p>Backwash until effluent runs clear.</p> <p>Maintain pool chemistry or consult pool service technician.</p> <p>Manually remove top 1" surface of sand bed and chemically clean as required.</p> <p>Restrict flow to capacity of filter.</p>
Return flow to pool diminished, low filter pressure.	<ol style="list-style-type: none"> 1. Obstruction in the pump hair and lint pot. 2. Obstruction in pump. 3. Obstruction in suction line to pump. 	<p>Clean basket in strainer.</p> <p>Disassemble and clean pump.</p> <p>Clean skimmer basket. Remove obstruction in lines.</p> <p>Open valves in suction line.</p>
Sand returning to pool.	<ol style="list-style-type: none"> 1. Broken underdrain lateral. 2. Backwash rate too high. 	<p>Replace broken or damaged laterals.</p> <p>Reduce backwash flow rate.</p>

Section 5

Technical Data and Replacement Parts

Note

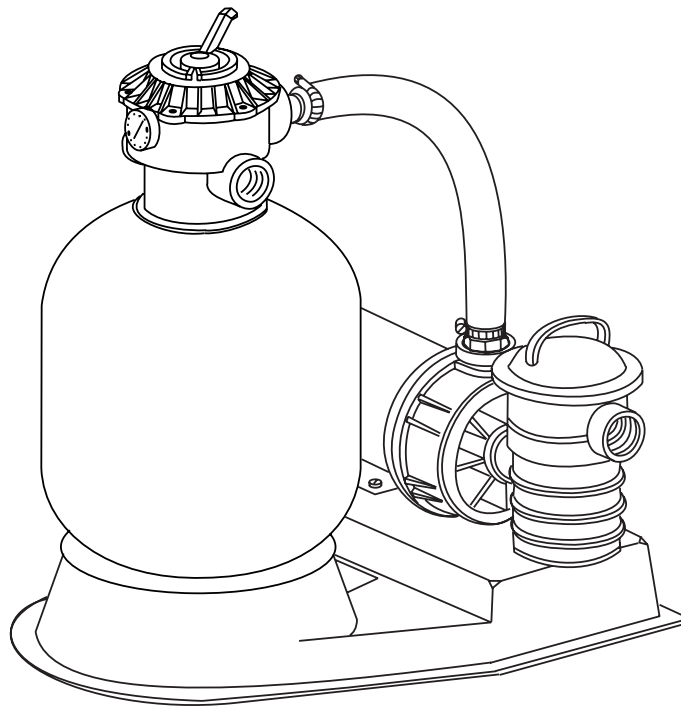
Please see the provided insert sheet for Technical Data and Replacement Parts information specific to your pump and filter.



P/N 152007 Rev A



Sistema de Bomba y filtro de arena



Guía del Usuario Y de Instalación

INSTRUCCIONES DE SEGURIDAD IMPORTANTES
LEA Y SIGA LAS INSTRUCCIONES
PROTEJA ESTAS INSTRUCCIONES

Guía del Usuario y de Instalación del sistema de la Bomba y Filtro de

Soporte Técnico

Sanford, North Carolina (8 A.M. a las 5 P.M. Horario del Este y Pacifico)

Moorpark, California (8 A.M. a las 5 P.M. Horario del Este y Pacifico)

Telefono: (800) 831-7133

Fax (800) 284-4151

Pagina de internet: visite www.pentairpool.com y staritepool.com

Indice

Advertencias e Importantes Precauciones de Seguridad.....	i
Sección 1: Información acerca del Filtro de arena y bomba.....	1
Sección 2: Instalación	2
Sección 3: Operación y Mantenimiento	11
Comienzo Inicial.....	11
Mantenimiento.....	12
Limpieza	13
Procedimiento de limpieza de reversa del filtro "Backwash".....	14
Limpieza con Sustancias Quimicas	15
Reemplazamiento de la valvula de arriba y el desviamento "Diverter".....	16
Sistema de Invierno "Winterizing".....	17
Sección 4: Guia para la identificacion de problemas	18
Sección 5: Información técnica y partes de repuesto	19

© 2009 Pentair Water Pool and Spa, Inc. Todos los derechos reservados.

1620 Hawkins Ave., Sanford, NC 27330 - (919) 566-8000

10951 West Los Angeles Ave., Moorpark, CA 93021 - (805) 553-5000

Pentair Water Pool and Spa® es marca comercial y/o marca registrada de Pentair Water Pool and Spa, Inc. y/o de sus compañías afiliadas en Los Estados Unidos y/o en otros países. Filter-Cleanse es una marca de Advantis Technologies Inc. y Klean It es una marca registrada de BioLab, Inc. A menos que sea indicado, los nombres y marcas de otras compañías pueden ser utilizados en este documento pero no son utilizados para indicar una afiliación o endorse entre los propietarios de estos nombres y marcas y Pentair Water Pool and Spa, Inc. Esos nombres y marcas pueden ser las marcas comerciales o registradas de esas entidades u otros.

Numero de parte 152007 Rev A - 12/08/09

ADVERTENCIA E IMPORTANTES PRECAUCIONES DE SEGURIDAD

⚠ PELIGRO LESIONES SEVERAS O MUERTE PUEDEN SER CAUSADOS SI LA BOMBA Y EL FILTRO DE ARENA NO ESTAN INSTALADOS Y USADOS CORRECTAMENTE.

⚠ PELIGRO TIENEN QUE LEER ESTAS ADVERTENCIAS Y TODAS LAS INSTRUCCIONES ANTES DE USAR LA BOMBA Y EL FILTRO DE ARENA.

⚠ ADVERTENCIA Este sistema de Bomba y Filtro de Arena es producido con la intencion de usarse en un sistema de piscina.

⚠ ADVERTENCIA Casi todos los Estados de Los Estados Unidos y códigos locales regulan la construcción, instalación, y operación de piscinas públicas y balnearios, y la construcción de piscinas y balnearios. Es muy importante seguir estos códigos, la mayoría afectan directamente a la regulación de instalación y el uso de este producto. Consulte con su código local de construcción para más información.



NOTA IMPORTANTE – Atención instalador: Esta Guía del Usuario y de Instalación (“Guía”) contiene información importante acerca de la instalación, operación y uso seguro de esta Bomba y Filtro de Arena. Esta guía debe ser entregada al dueño de la piscina y/o al operador de este equipo de sistema.

⚠ ADVERTENCIA Antes de instalar este producto, lea y siga todas las notas de advertencia e instrucciones en esta guía. En caso de no seguir las advertencias e instrucciones de seguridad puede resultar en lesiones severas, muerte o daño de propiedad. Llame al (800) 831-7133 para obtener copias adicionales gratuitas de estas instrucciones. Por favor refiérase a www.pentairwater.com para más información acerca de este producto.



⚠ PELIGRO La temperatura de agua a más de 100 °F (37.7 °C) puede ser peligroso para su salud. Sumersiones largas en agua caliente pueden inducir hipotermia. La hipotermia puede ser causada cuando la temperatura interna del cuerpo llega a un nivel o más grados sobre la temperatura normal del cuerpo que es 98.6 °F (37 °C). Los efectos de la hipotermia son: (1) Ignorar el inminente peligro. (2) No sentir o percibir calor. (3) No reconocer la necesidad de salirse del balneario. (4) Inhabilidad física de salirse del balneario. (5) daño al feto para mujeres embarazadas. (6) Perder el conocimiento resultando un peligro para ahogarse. El uso de alcohol, drogas, o medicación puede

⚠ ADVERTENCIA Para reducir el riesgo de lesiones, no permita que los niños usen operen esta Bomba y Filtro de Arena.

⚠ ADVERTENCIA Cuando se establece el volumen y la corriente de agua que entra en la piscina, el operador tiene que considerar los códigos locales que rigen los volúmenes de agua y también las reglas para las raciones de desinfección.

⚠ ADVERTENCIA No aumentar el tamaño de la bomba; esto puede causar que el volumen de agua que pase por el sistema pueda excedir el volumen máximo de agua que esta indicado en el cubierta de el drenaje.

ADVERTENCIA E IMPORTANTES PRECAUCIONES DE SEGURIDAD

⚠ ADVERTENCIA Para bombas y filtros de arena que van a ser instalados en locaciones que no son para una vivienda, un interruptor visible de emergencia tiene que ser incluido de parte de esta instalación. El interruptor de emergencia tiene que estar instalado en un lugar donde sea accesible por los ocupantes y tiene que ser instalado por lo menos 5 pies (1.52 metros) de alcance, cerca de, y de vista de la bomba y del filtro de arena.



⚠ PELIGRO Alta presión del Filtro de Arena puede causar lesiones graves o gran daño de propiedad por la separación del tanque.
Saque la presión del Filtro y lea las instrucciones antes de ponerse a trabajar en el Filtro de Arena.
Si la abrazadera del Filtro a sido ajustada con presión, el tanque puede separarse causando lesiones serias y gran daño de propiedad.

⚠ ADVERTENCIA Antes de trabajar en el Filtro!
 (1) Apague la bomba.
 (2) Abrir la válvula para sacar el aire
 (3) Sacar toda la presión del sistema

**RIESGO DE UN CHOQUE ELECTRICO O ELECTROCUCION:
 LA BOMBA NECESITA ALTO VOLTAGE Y ESO PUEDE CAUSAR UN CHOQUE ELECTRICO, QUEMADURA, O MUERTE.
 ANTES DE USAR LA BOMBA!**



⚠ PELIGRO SIEMPRE DESCONECTE LA ENERGIA DE LA BOMBA DESDE EL INTERRUPTOR AUTOMATICO ANTES DE TRABAJAR Y DAR SERVICIO A LA BOMBA. SI NO HACE ESTO, PUEDE SER CAUSA DE MUERTE O SERIAS LESIONES A LA PERSONA QUE TRABAJE DANDO SERVICIO A LA BOMBA, LOS QUE ESTÉN USANDO LA PISCINA, U OTROS DEVIDO A UN CHOQUE ELÉCTRICO.

⚠ ADVERTENCIA Una bomba de piscina o balneario debe de ser instalada por una persona calificada para servicio de piscina y balnearios profesional por reglas establecidas por el código nacional de electricistas y todos los códigos locales y leyes. Instalación inapropiada puede causar peligro de choque eléctrico que puede causar muerte o daño serio para los que usen la piscina, instaladores, u otros, y también puede dañar la propiedad.

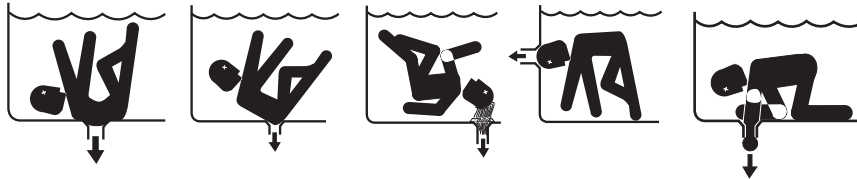
⚠ ADVERTENCIA Una Bomba inapropiada en tamaño o instalada o usada en un sistema diferente de lo que es destinada en uso, puede resultar en serias lesiones personales o muerte. Estos riesgos pueden incluir y no son limitados a un choque eléctrico, fuego, inundación, trampa de succión o serias lesiones o serios daños causados por un derrumbe estructural de la Bomba u otros componentes del sistema.

⚠ ADVERTENCIA Nunca pasarse del volumen máximo estipulado en la Solamente use un sistema de Bomba correspondiente a la velocidad de la corriente del agua. Omisión o ignorar esto puede resultar en cabello o cuerpo atrapado que puede resultar en graves lesiones personales o muerte. En caso de tener dudas acerca del sistema de la bomba consulte a una persona calificada de servicio de piscina profesional.

ADVERTENCIA E IMPORTANTES PRECAUCIONES DE SEGURIDAD

⚠ ADVERTENCIA Bombas no son un sustituto para cubiertas de drenaje que estén instalados correctamente y que estén seguros. Una cubierta de drenaje contra trampa aprobado por el ANSI/ASME A112.19.8 tiene que ser usado para cada drenaje. Piscinas y balnearios deben de utilizar por lo menos dos drenajes o tubos de desagüe por bomba. Inspeccionar regularmente todas las tapaderas por daños de quebraduras, sueltas, o que se hayan perdido. Si una cubierta de drenaje se suelta, se quiebra o se pierde, cierre la piscina o balneario inmediatamente y apague la bomba, ponga una nota de advertencia en la que continúe la piscina y el balneario cerrado hasta que una cubierta de drenaje apropiado VGB 2008 que no atrape ("anti-entrapment") sea instalado correctamente con los tornillos de el fabricante. Tapaderas que se hayan deteriorado sobre el tiempo por exposición al sol o por sustancias químicas de piscina. Las tapaderas deben de ser reemplazadas en un periodo de (7) siete años desde su instalación (o mas rápido si las tapaderas se deterioran o dañan antes de ese periodo).

⚠ PELIGRO RIESGO DE ATRAPARSE POR LA SUCCION



Bombas y Filtros de Arena para piscina y balnearios mueven grandes volúmenes de agua, que pueden causar peligro extremo al cabello de una persona si se aproxima muy cerca al drenaje que no tenga una medida apropiada para la Bomba o el Filtro de Arena.

Cabello Enredado - Cuando el cabello se enreda y hace nudos en la tapadera del drenaje, atrapa al nadador debajo del agua. Este peligro se presenta cuando la velocidad de la corriente de agua sobre la tapadera del drenaje es muy pequeña para la Bomba y el Filtro de Arena.

Extremidades piernas o brazos atrapadas - Cuando una pierna o brazo es succionada o insertada adentro de cualquier abertura resultando en una involuntaria hinchazón. Este peligro se presenta cuando la tapadera del drenaje esta quebrada, suelta, floja, no existe o no esta instalada apropiadamente.

Cuerpo atrapado - Cuando una parte del cuerpo se atora sobre la tapadera del drenaje, atrapa al nadador debajo del agua. Este peligro se presenta cuando la tapadera del drenaje esta quebrada, suelta, floja, no existe o no esta instalada apropiadamente.

Destripamiento/Desentripar - Cuando una persona (particularmente un niño) se sienta sobre una salida de succión o desagüe de una piscina o balneario se va directamente a los intestinos, causando graves daños intestinales. Este peligro se presenta cuando la tapadera del drenaje no existe, esta suelta, floja, quebrada o no esta instalada apropiadamente.

Atrapamiento Automatico - Cuando joyeria, traje de baño, decoraciones del cabello, dedos de las manos o los pies son atrapados en una abertura, en una salida o en la tapadera del drenaje. Este peligro se presenta cuando la tapadera del drenaje no existe, esta quebrada, suelta o no esta instalada correctamente.

ADVERTENCIA E IMPORTANTES PRECAUCIONES DE SEGURIDAD

Para información acerca de Virginia Graemer Baker Pool and Spa Safety Act, contacte a Consumer Product Safety Comisión a (310) 504-7908 o vista www.spssc.gov.

Nota Importante: Siempre apague todo el poder electrico para la bomba de la piscina antes de instalar la cubierta o trabajar en las cubiertas de drenaje (“Suction Outlets”).

Nota para la Bomba controlada por dos velocidades (Titulo 20 de Adaptacion) Por favor lea las siguientes instrucciones importantes de seguridad. Cuando se usa una Bomba de dos velocidades fabricada en o despues de Enero 1, 2008 la velocidad de la circulacion debe estar automaticamente establecida o fijada a la velocidad más baja, con una velocidad más alta pasaria por encima de la capacidad de la Bomba pasando por un periodo temporal y no sobrepase un ciclo normal, o por dos horas, cualquiera que sea menos.

Sección 1

Resumen de la Bomba y del Filtro de Arena

Este sistema funciona bajo presión y si es inapropiadamente construido o funciona con aire en el sistema de circulación del agua puede que resulte en separarse o cause un accidente resultando graves lesiones del cuerpo. Una etiqueta de advertencia ha sido añadida a el Filtro de Arena y no puede ser removida o eliminada. Mantenga las etiquetas de advertencia en buena condición y reemplacelas si se han perdido o son ilegibles. (Para etiquetas gratis llame al teléfono (919) 774-4151). Bombas y Filtros de Arena nunca deben ser sujetas a pruebas de aire o gas bajo presión. Todos los gases concentrados y bajo presión pueden causar peligro. Graves lesiones del cuerpo o daños de propiedad pueden ocurrir si la Bomba o el Filtro de Arena son sujetos al aire o gas de presión.

Este sistema primeramente consiste de una Bomba centrífugo, un Filtro de Arena de alta velocidad con válvula de control, una conexión de manguera y una base para montar. Su Bomba centrífugo es manejada por un motor electrico. El motor esta directamente atado a la Bomba centrífugo. Cuando el motor electrico da vueltas ocasiona compulsivas vueltas causando que el agua circule. El agua circula hacia el contenedor para la pelusa y cabello y a través del cesto construido para recoger particulas más grandes. Despues la corriente de agua entra al centro de la Bomba. La corriente pasa por el centrífugo y dentro del distribuidor estacionario, para salir por la emisión de la Bomba, pasando por la conexión de manguera y por la válvula de control del Filtro de Arena. Se acumula tierra en el Filtro de Arena cuando la corriente de agua pasa por la válvula de control por la parte de arriba del Filtro y es dirigida hacia abajo sobre la superficie de la cama del Filtro de Arena. La tierra se colecciona en la cama de arena del Filtro y la corriente de agua limpia pasa por la tuberia de abajo de el Filtro hacia la tuberia de enmedio de la válvula de control y hacia la parte de arriba del Filtro de Arena. Despues el agua limpia regresa por el sistema de tuberia de la piscina. La presion subira y la corriente de la piscina sera más baja porque la tierra se acumulo en el Filtro de Arena. Eventualmente, el Filtro de Arena se tapara con tierra y sera necesario realizar el procedimiento de limpieza de reversa ("Backwash") del Filtro de Arena. Es muy importante saber cando hacer la limpieza de reversa ("Backwash") del Filtro de Arena. Para la informacion de la limpieza de reversa ("Backwash") del Filtro de Arena, dirijase a la pagina 13 y 14 El seis (6) posición de operación y el uno (1) posición de Invierno la válvula esta designada para proveer todas las posiciones necesarias y requeridas para operar, mantener, y dar servicio a las fallas de su Filtro de Arena.

⚠ PELIGRO Aire que entre al Filtro y a la abrazadera de la válvula por no estar apropiadamente cerrada puede ocasionar que la válvula se separe y que cause graves lesiones al cuerpo y daños a la propiedad.

⚠ ADVERTENCIA Para prevenir equipo dañado y posibles lesiones, siempre apague la Bomba y el Filtro de Arena antes de cambiar la posición de la válvula.

⚠ ADVERTENCIA

Este filtro funciona con presión alta. Cuando cualquier parte del sistema de circulación (abrazadora, bomba, filtro, válvulas, etc.) se le da servicio, aire puede entrar al sistema y puede ser presionado. Aire con presión puede causar la tapadera del filtro o la válvula de control que se separe, y esto puede causar lesiones graves, muerte, o daños de propiedad. Para evadir estos problemas, siga estas instrucciones.

1. Antes de reposicionar las válvulas y antes de empezar el ensamble, desensamble, ajuste de la abrazadera o cualquier otro servicio del sistema de circulación: (a) Apague la Bomba y todos los controles automáticos para asegurarse que el sistema: no empieza a arrancar o trabajar por error cuando la estén arreglando; (b) Abra la válvula de aire manualmente; (c) Esperar a que toda la presión se relaje, el medidor de presión tiene que indicar cero (0).
2. Cuando se instala la abrazadera para el filtro, siga las instrucciones exactas para la tapadera del filtro y de la abrazadera.
3. Cuando el servicio a el sistema de circulación este completo, siga las instrucciones exactas del sistema para arrancar el filtro.
4. Mantenga el sistema de circulación apropiadamente. Reemplace las partes que estén dañadas y desgastadas inmediatamente (Ejemplo: abrazadora, indicador de presión, válvula, empaque, etc.).
5. Asegúrese que el filtro este instalado apropiadamente y colocado de acuerdo a las condiciones de las instrucciones.

Funciones de la válvula de control y de la dirección de la corriente del agua

Filtro "FILTER": Desde la Bomba, a través de la válvula, por debajo a través de la cama del filtro, hacia arriba a través de la tubería del centro para el agujero de la válvula de regreso, y de regreso hacia la piscina para una acción normal del filtro y aspirar la piscina a través del filtro.

Limpieza de Regreso "BACKWASH": Desde la Bomba, por la válvula, debajo a través de la pipa del centro, hacia arriba por el Filtro de Arena y para la válvula, y hacia afuera por la apertura de basura. Esta posición es usada para limpiar el filtro y correr la corriente en reverso.

Enjuague "RINSE": Desde la Bomba, por la válvula, por debajo a través de la arena del filtro, hacia arriba por la pipa del centro de la válvula y para afuera por la apertura de basura. Esta posición es usada para limpieza inicial y reposición de la cama del filtro después de la limpieza de regreso "Backwash".

Basura "WASTE": Desde la Bomba, a través de la válvula, se salta el filtro y sigue hacia la apertura para la basura. Esta posición es para aspirar directamente la basura, bajando el nivel de la piscina, o para evacuar toda el agua de la piscina.

Cerrado "CLOSED": NO HAY CORRIENTE DE AGUA EN ESTA POSICION - NO USE ESTA FUNCION CUANDO LA BOMBA ESTE FUNCIONANDO.

Recirculando "RECIRCULATING": Desde la Bomba, a través de la válvula, se salta el filtro y sigue hacia la apertura de regreso y regresa a la piscina. Esta posición es para circular el agua sin pasar a través del Filtro.

Invierno “WINTERIZING” (Para áreas donde el equipo de piscina y balnearios pueden congelarse): La posición de válvula y del Filtro de Arena para prepararse para el invierno, lea la página 17.

Por favor tome nota de que el Filtro de Arena elimina o remueve sustancias o materias de basura sobre el agua pero no destruye germenos o microbios de la piscina. El agua de la piscina debe estar sin bacterias o microbios y debe estar balanceada para una agua transparente y brillante. Sustancias químicas para la piscina es una area especializada y usted debera consultar a un especialista de servicio de piscina local para detalles especificos. En general la hygiene apropiada de la piscina requiere un nivel libre de cloro desde el 1 hasta 2 PPM y un pH desde el 7.2 hasta el 7.6 . Su sistema de filtración debera ser designado para alcanzar los codigos locales de salud. Por lo mínimo, usted debe de asegurarse de que el ciclo de su sistema mueva el volumen total de agua de su piscina por lo menos dos veces en un periodo de veinticuatro horas (24).

⚠ ADVERTENCIA Negligencia de hacer funcionar su sistema de filtracion o inadecuada filtracion puede causar deplorable claridad del agua y obstruir la vicibilidad en su piscina y eso puede permitir dividirse en o sobre oscuros objetos, y esto puede causar graves lesiones personales o ahogarse.

Sección 2


Instalación

1. **Lea y entienda todas las instrucciones antes de tratar de instalar, operar o darle mantenimiento a su Bomba y su sistema de Filtro de Arena.**
2. Proveer espacio y luz para el mantenimiento de rutina. Coloque el sistema cerca la piscina. Refierase a la Figura 1 para una tipica instalacion. **Nota: Instalar controles electricos (e.g., interruptor electrico de prendido/apagado (on/off switch), cuentaminutos (timers), sistema de control, etc.) por lo menos cinco (5) pies del filtro. Esto le dejara tener espacio suficiente desde el filtro durante el inicio del sistema.**

Sistemas que no estan ensamblados, armados o construidos deberan ensamblarse en este momento. Lea las siguientes instrucciones especiales desde la A hasta la G.

- A. Este seguro que todos los interruptores electricos de la Bomba esten apagados, y desconecte los cables de comunicacion con la Bomba antes de instalar la base.
- B. Remover todos los componentes individuales de la caja de cartón e inspeccionar por algun daño visible. Si las partes de la caja de cartón estan dañadas comunicarse con el vendedor o la compañía de envios.
- C. Coloque la base de soporte del sistema sobre el suelo cerca de la posición final de la unidad. Refierase a la figura uno (1) en la siguiente página.

⚠ PELIGRO Este filtro funciona con presión de agua. Con la válvula conectada apropiadamente y operada sin aire en el sistema, este filtro puede trabajar en un modo seguro. Aire que entra al filtro y la válvula cuando no esta conectada apropiadamente puede causar que la válvula se separe, esto puede causar graves lesiones a las personas y/o daño a la propiedad.



⚠ ADVERTENCIA Siempre apague la Bomba antes de cambiar posiciones de válvula. Cambiar posiciones de válvula cuando la Bomba esta funcionando puede dañar la válvula de control, esto puede causar graves lesiones o daño a la propiedad.

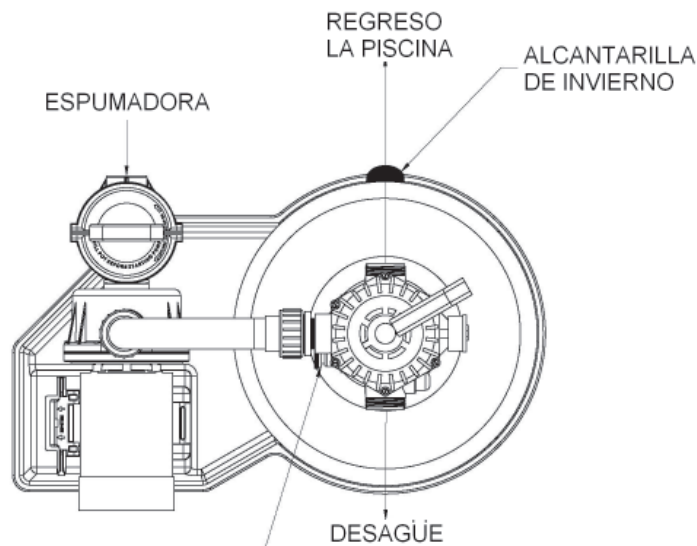


Figura 1. VÁLVULA MANUAL

- D. Inspeccione debajo del filtro y confirme la orientación de los pequeños huecos para que encajen con el tanque.
- E. Alinear los pequeños huecos del tanque para que correspondan a las aberturas en la parte de soporte del filtro en la base. Coloque el filtro en la base.

- F. Puede que ahora la Bomba este unida al lado de la base de soporte de la Bomba. Esta Bomba puede ser orientada o ajustada como se indica en la Figura 2.

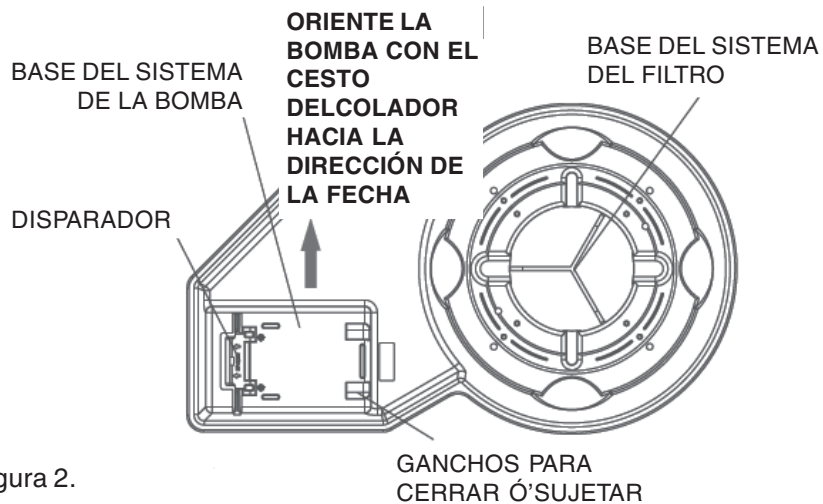


Figura 2.

- G Deslice el pie de la Bomba entre el gancho de sujetar y el disparador. Referirse a la Figura 3. Siente la Bomba a través de empujar hacia abajo sobre ella hasta que el gancho de sujetar haga un ruido corto cuando entre en su lugar sobre el pie de la Bomba. Refierase a la Figura 4. La bomba tiene que ser posicionada como es indicado en la Figura 5. Instale y empuje los dos ganchos de sujetar a través de la ranura en el pie de el motor, hacia los dos hoyos en la base cerca de el disparador.

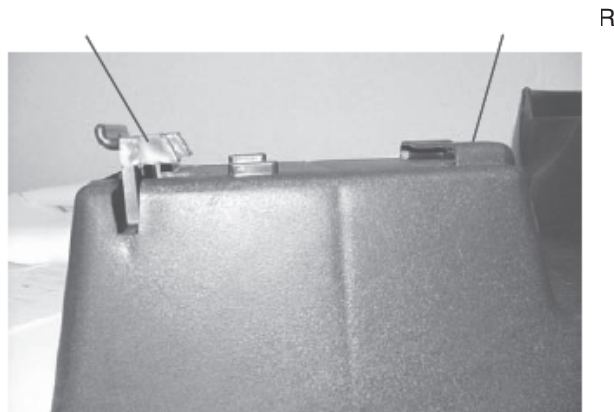


Figura 3.

6

- Ahora, mueva el sistema para la posición final. El sistema debe estar situado o colocado en un lugar con nivel sólido de la tierra. El entero sistema lleno con arena y agua puede pesar varias o más de cien libras.



Figura 4.

PIE DE LA BOMBA

- Asegúrese de instalar la cantidad precisa de arena en el filtro que esta indicada en la placa del nombre de su filtro. Usted debe de usar solamente número (veinte) 20 arena silica tradicional teniendo una uniformidad coeficiente de 1.75 o menos. Número (veinte) 20 arena silica tiene un número particular de .018-.022 pulgadas (.45 hasta .55 mm). Antes de derramar la arena en el filtro, mire adentro e inspeccione debajo del tubo de desagüe por lados laterales quebrados o sueltos (o dedos), que pudieran haber sido accidentalmente dañadas por difícil manejo durante el envío. Remplaze las partes necesarias.
- Instale la arena guiada sobre el filtro y llene el tanque hasta la mitad de agua. Derrame la arena sobre el filtro a un paso lento para que el peso de la arena no dañe los lados laterales. Despues de la cantidad requerida de arena a sido intalada, remueva y tire la guia de arena. Limpie la arena alrededor de la apertura sobre el tanque.

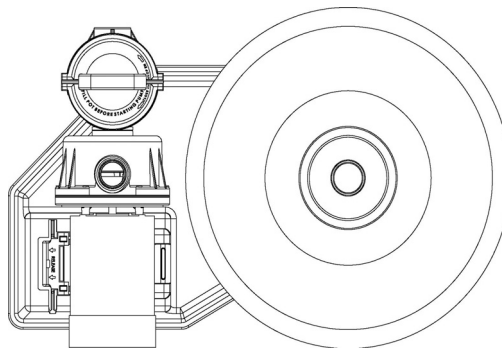


Figura 5.

6. Asegúrese que la parte de arriba del filtro este libre de arena o restos de arena y escombros y el o-anillo de válvula este en su lugar en el cuerpo de la válvula. Instale la válvula para que la posición de las aperturas estén en finalmente la posición deseada. Refierase a la Figura 1 (vea la página 4).
7. Asegúrese que la válvula este firmemente empujada hacia arriba del tanque y que la pestaña del tanque y la pestaña de la válvula estén en contacto con si mismas. Vea la Figura 6.

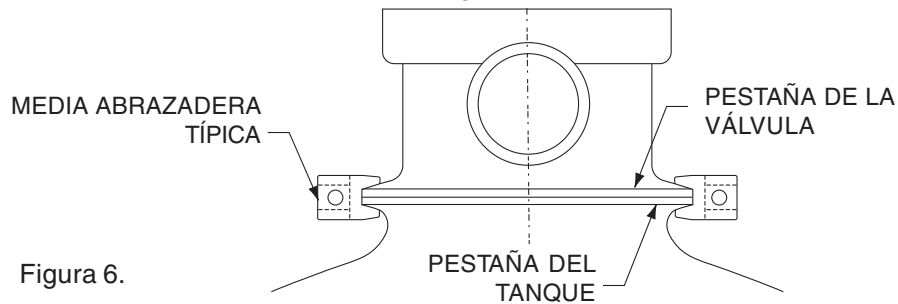


Figura 6.

8. Ahora puede ser instalada La abrazadera de plástico. Ponga la mitad de la abrazadera sobre la pestaña de la válvula y la pestaña del tanque como esta señalado en la Figura 6. Inserte los tornillos y tuercas de la válvula en la mitad de la abrazadera asegurándose que las tuercas estén localizadas en la parte hexagonal de la abrazadera. Refierase a la Figura 7.

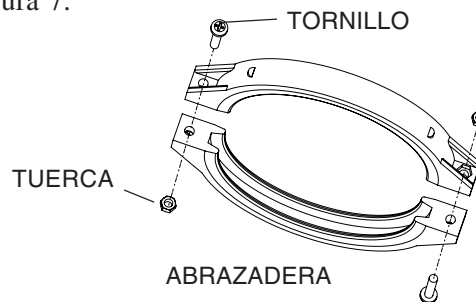


Figura 7.

9. Para asegurarse que la ensambladura este correctamente ensamblada. Apriete los tornillos de la abrazadera firmemente e inspeccione visualmente la válvula del tanque y abrazadera que esten ensambladas.



Presión alta:
Inapropiada ensambladura de la válvula del tanque puede causar que la válvula se separe y cause graves lesiones y/o mayores daños a la propiedad.

10. Aberturas de la válvula estan marcadas o etiquetadas con el lugar donde deben ser conectadas por ejemplo la abertura de la bomba debe conectarse con la abertura de salida de la bomba, la abertura de basura debe ser conectada con la linea de basura, y la abertura de regreso debe de ser conectada con la abertura de regreso de la piscina.
11. La unidad de filtro tiene una presión máxima para operar o funcionar como se indica en la placa personalizada del filtro. No opere o funcione esta unidad pasando la operacion máxima de funcionamiento o de la válvula o el filtro. Nunca conecte el filtro y la unidad de la válvula a una bomba que pueda generar una presión que exceda o sobrepase la presión de funcionamiento del filtro o la válvula.
12. Use un sellador apropiado en todas las conecciones machos de las tuberias. Use solamente selladores de componentes para tuberias de plastico. Soporte las tuberias para preveenir tensión en el filtro, la bomba y la válvula. **NUNCA UTILIZAR PRODUCTOS CON BASE DE PETROLEO.**
NOTA: Todos los cables internos de la válvula son puntiagudos excepto la conección del tubo de escape. No apriete de más o sobreapriete los cables puntiagudos.
13. Instale una medida de presion ¼" NPT de apertura directamente desde la apertura de la bomba de la válvula.
14. Nunca guarde sustancias químicas de la piscina cerca de diez (10) pies del filtro de la piscina, bomba o válvula. Sustancias químicas tienen que estar guardadas o almacenadas en áreas frescas, secas, y bien ventiladas.

⚠ ADVERTENCIA Gases de sustancias químicas o derramados en el suelo pueden causar corrosión para la estructura de los componentes del filtro y bomba. Componentes con estructuras débiles pueden causar partes del filtro, bomba o válvula que se separen y pueden causar graves lesiones o daños de propiedad.

⚠ ADVERTENCIA El sistema centrífugo de la bomba opera con alto voltaje eléctrico, y puede crear aspirar o drenar y presión en el sistema de agua. Cuando la bomba esta conectada apropiadamente a su plomeria, esta bomba funcionara de un modo seguro.

⚠ ADVERTENCIA Alto voltaje eléctrico puede causar graves lesiones o lesiones fatales. Siempre instale un interruptor de tierra GFCI "Ground Fault Interrupted" en el origen o raiz de la fuerza electrica de esta unidad como una regla de precaución. El Artículo 681-31del NEC requiere que un GFCI sea usado si esta bomba es usada con una piscina portatil que se puede guardar.

15. Evite sobreapretar los cables de la tubería cuando los conecte a la bomba o válvula. El procedimiento apropiado es de aplicar un sellador de tubería a todos los cables y apretarlos con las manos y una (1) vuelta más. **NO LOS APRIETE DE MÁS O SOBREAPRIETE.**
16. La línea de succión de la bomba no debe ser mas pequeña que la tubería de la pestaña de la bomba.
17. **La conexión eléctrica de la bomba debe ser ejecutada por una persona de servicio a piscinas y balnearios calificada y profesional de acuerdo con los Codigos Electricos Nacionales y Codigos Electricos Locales.**

Información recomendada de Circuitos electricos e interruptor					
Motor HP Caballos de Fuerza	Branch Circuit Circuito de Derivación	Volts/Hz/Phase Voltios Fare	Distancia en pies del circuito de la Derivación		
			0-50 Ft.	50 - 100 ft.	
3/4	15 AMP	115/60/1	No. 14	No. 14	Minutos de Servicio (min. Service)
1	15 AMP	115/60/1	No. 12	No. 12	Cable (Wire)
1-1/2	20 AMP	115/60/1	No. 12	No. 10	Medida (Size)
1-1/2	15 AMP	230/60/1	No. 14	No. 14	Para del motor (To Motor)

⚠ ADVERTENCIA

Obstrucción en las cubiertas de drenaje (Succión Fittings) puede causar graves lesiones o lesiones fatales debido a ahogarse. Para reducir el riesgo de graves lesiones, no deje que los niños operen o hagan funcionar este producto.

⚠ ADVERTENCIA

Nunca trabaje en la bomba cuando la bomba esta operando o trabajando o este conectada a el poder eléctrico. Alto voltaje puede causar graves lesiones o fatalidad. Un interruptor de tierra "Ground Fault Interrupted (GFCI)" apropiado tiene que estar siempre instalado en la raíz o fuente de energía eléctrica de esta unidad. Asegúrese de que el motor este conectado a un interruptor de tierra antes de ser conectado a el sobretensión de corriente "(AC) power supply". Si el motor no tiene paso a la tierra esto puede causar lesiones serias o fatales por electrocución. La negligencia de instalar un interruptor de tierra "Ground Fault Interrupted (GFCI)" conectado al motor puede causar riesgos o peligros graves o fatales de choques electricos. ~~No utilice un interruptor de tierra a la línea que suministra gas.~~

10

18. Use una tuerca de tierra sobre el marco del motor y todas las partes metálicas de la piscina, balneario, toda la estructura del equipo eléctrico, tubo de metal, y toda las tuberías metálicas con conductor sólido de cobre no menos de número 8 A.W.G.
19. El motor de la bomba tiene que tener los cables necesarios para un voltaje apropiado de acuerdo con el diagrama de cables proporcionado o proveído con el motor. Note: Usando cables para el motor con incorrecto suministro de voltaje puede dañar el motor y anular la garantía.
20. La instalación eléctrica para el motor tiene que mantenerse lo pequeño o corto posible y lo suficientemente larga para que NO cause una caída de un excesivo voltaje que puede causar daños a la bomba. Use la gráfica de arriba como una guía para asegurarse de que el voltaje adecuado es suministrado a la bomba.
21. **Este producto debe ser suministrado con un cable de 6 ft. 3in. con boquilla de prueba. Este cable es suministrado o proveído para su conveniencia de ayudarlo a inspeccionar que la bomba este funcionando y operando antes de que el sistema sea instalado a la piscina. Este cable de prueba NO debe ser usado como una conexión permanente. Cuando examine que la bomba esta funcionando, no la deje trabajar o funcionar por más de 30 segundos. Daños mecánicos al sello de la bomba pueden resultar si se trabaja u opera por más de 30 segundos.**

⚠ ADVERTENCIA

UNIDAD PARA CABLES Y CONEXIÓN DE ENCHUFES



Riesgo de choque eléctrico:
Solo conecte a un receptáculo de tipo o clase de tierra protegido por el interruptor de tierra (GFCI) "Ground Fault Circuit Interrupter". Si usted no puede verificar que el receptáculo es protegido por el interruptor de tierra contacte a un electricista calificado.

No entierre los cables. Localice los cables para minimizar el abuso de cortacéspedes, tijeras de podar, y otros equipos.

Para reducir el riesgo de un choque eléctrico, reemplace cables dañados inmediatamente.

Para reducir el riesgo de un choque eléctrico, No use una extensión eléctrica para conectar la unidad al suministro eléctrico; proveer o localizar una toma de corriente adecuada.

Section 3

Operación y Mantenimiento

Comienzo Inicial

1. Limpie una piscina nueva antes de llenarla de agua. Excesiva tierra o lodo y grandes partículas pueden causar daños a la bomba y al sistema del filtro de arena.
2. Inspeccione que la apertura de la limpieza de reversa ("Backwash") este abierta para que el agua salga libremente de la piscina y que la corriente salga por la línea de limpieza de reversa ("Backwash"). Seleccione la válvula de control en la posición de limpieza de reversa ("Backwash").

⚠ PELIGRO



Este filtro funciona bajo presión. Con la válvula conectada apropiadamente y operada sin aire en el sistema, este filtro puede funcionar de un modo seguro. Aire que entra el filtro y a la válvula cuando no esta conectada correctamente puede causar que la válvula se separe, esto puede causar graves lesiones personales y/o daños a la propiedad.

⚠ ADVERTENCIA

Siempre apague la bomba antes de cambiar posiciones de válvula. Cambiar posiciones de válvula cuando la bomba esta funcionando puede dañar la válvula de control, esto puede causar graves lesiones o daños a la propiedad.

3. Asegurese que la reserva de la bomba este llena de agua antes de encender la bomba. Mantenga todas las ventanillas de aire debajo del motor (o anexas al motor) abiertas y libres de escombros para asegurarse del apropiado enfriamiento del motor.
4. Inspeccione que la abrazadera de válvula este apropiadamente ensamblada en el filtro. Nota: Si no esta seguro, vea las instrucciones bajo la seccion de "Instalación" de este manual.
5. Abra la válvula manual de aire en el filtro. **ALEJESE DEL FILTRO** y prenda o empiece la bomba, dandole tiempo para que funcione de primera calidad. **Nota: Instale los controles electricos (e.g., interruptor de prendido/apagado, minutero automatico, sistema de control, etc.) por lo menos cinco (5) pies de separación del filtro. Esto le dara suficiente espacio para estar lejos del filtro durante el comienzo o inicio del funcionamiento del sistema.**

6. Cierre la válvula manual de aire en el filtro cuando un estable o continuo chorro emerge o aparezca. **Nota: El Filtro de Arena de piscina es típicamente prelavado y no requiere de un lavado de reversa extenso. Sin embargo el proceso de envío puede causar excivas raspaduras que pueden requerir de un ciclo extensivo de limpieza de reversa ("Backwash") para su comienzo inicial; continúe la limpieza de reversa ("Backwash") por tres (3) minutos.**
7. Pare la bomba. Fije la válvula en la posición del filtro.
8. Asegurese que toda succión y líneas de retorno de agua de la piscina estén abiertas para que el agua libremente venga y regrese a la piscina.
9. Abra la válvula manual de aire en el filtro. **ALEJESE DEL FILTRO y prenda o empiece la bomba.**
10. Cierre la válvula manual de aire en el filtro cuando un chorro de agua continuo emerge o salga.
11. El filtro a empezado ahora su ciclo de filtración. Asegurese que el agua este regresando a la piscina y tome nota de la presión operacional o de funcionamiento cuando el filtro esta limpio.
La presión original es _____ PSI con el filtro

▲ ADVERTENCIA

Para prevenir daños al equipo y posibles lesiones, siempre apague la bomba antes de cambiar la posición de la válvula.

Mantenimiento

Cuidado apropiado y mantenimiento de la bomba y el sistema del filtro de arena le añadirá muchos años de placer a su piscina. Siga estas sugerencias para un largo y libre de problemas en el funcionamiento de su piscina.

1. Para limpiar el exterior de la bomba y el sistema del filtro de arena de polvo y basura, lávelos con agua y un detergente moderado y después rieuelos con manguera. No use solventes.
2. Si el interior del filtro requiere mantenimiento, la arena deberá ser removida quitando toda la alcantarilla y sus tuberías de la parte de abajo del filtro y rieuelos con una manguera de jardín.
3. El filtro es una basija de presión y nunca deberá darsele servicio bajo presión. Siempre disminuya la presión del tanque y abra la válvula de aire manual del filtro antes de empezar de darle servicio al filtro.

4. Cuando reanude o empiece de nuevo el filtro siempre abra la válvula manual de aire y ALEJESE DEL FILTRO.
5. El colador de canasta en la bomba debe ser inspeccionado y limpiado dos (2) veces por semana. Remueva la tapadera entera de la canasta, y limpie los escombros acumulados en la canasta. Inspeccione el o-anillo de la tapadera; si esta dañado, reemplazelo. El sello de la bomba no requiere lubricación. El motor de la bomba solamente debera darsele servicio por un centro de servicio de motores.

Limpieza

1. El filtro de una nueva piscina debera ser limpiado de reversa ("Backwash"), y limpiado despues de 48 horas de funcionamiento para limpiar basura de construccion acumulada. Hay tres (3) maneras diferentes para identificar cuando el filtro necesita limpieza de reversa ("Backwash"):
 - a) El indicador más preciso de un sistema de piscina con un medidor de corriente es una limpieza de reversa ("Backwash") y cuando la corriente baja un 30% de la corriente original (filtro limpio). Por ejemplo, si la corriente original fue de 60 GPM, el filtro debe ser limpiado de reversa ("Backwash") cuando la corriente es reducida alrededor de 20 GPM (o 30%) a 40 GPM.
 - b) Un indicador más subjetivo o menos preciso es de observar la cantidad de agua corriendo desde la direccion de la corriente colocada en la pared de la piscina. El filtro debera ser limpiado de reversa ("Backwash") una vez que se haya detectado que la corriente ha sido reducida.
 - c) El más comúnmente usado pero el menos indicador preciso de limpieza de reversa ("Backwash") es cuando la interpretación del calibrador sube 10 psi sobre la interpretación inicial (filtro limpio).
2. Es importante de no limpiar de reversa ("Backwash") el filtro unicamente en tiempos de base como cada tres (3) días. Tambien es importante hacer notar que si limpia de reversa ("Backwash") el filtro frecuentemente realmente puede causar una mediocre filtración. Factores como las condiciones del clima, fuerte lluvia, polvo y polen, y la temperatura de agua afectan la frecuencia de la limpieza de reversa ("Backwash"). Con el uso de su piscina, usted sera consciente de estas influencias.

Procedimiento de Limpieza de Reversa ("Backwash") del Filtro

ADVERTENCIA

Para evitar equipo dañado y posibles lesiones, siempre apague la bomba antes de cambiar la posición de la válvula.

1. Apague la bomba.
2. Asegurese de que las líneas de succión y de limpieza de reverso ("Backwash") estén abiertas para que el agua pase libremente de la piscina y la corriente salga por la línea de la limpieza de reverso ("Backwash"). Coloque la válvula en la posición de limpieza de reverso ("Backwash").
3. **ALEJESE DEL FILTRO** e inicie la bomba.
4. Limpie de reversa ("Backwash") el filtro por aproximadamente tres (3) minutos o hasta que el agua de la limpieza de reversa ("Backwash") salga limpia.
5. Apague la bomba y fije la válvula en la posición de enjuague ("Rinse").
6. **ALEJESE DEL FILTRO** e inicie la bomba.
7. Enjuague el filtro por aproximadamente 30 minutos.
8. Apague la bomba y fije la válvula en la posición del filtro ("Filter").
9. Asegurese que la línea de regreso de la piscina este abierta para que la corriente de agua pase liberamente desde el filtro y de regreso a la piscina.
10. Abra la válvula manual del filtro. **ALEJESE DEL FILTRO** e inicie la bomba.
11. Cierre la válvula manual del filtro cuando un estable chorro de agua salga de la válvula manual.
12. El filtro a empezado ahora el ciclo de filtracion. Asegurese de que el agua este regresando a la piscina y tome nota de la presión del filtro.
13. La presión del filtro en el paso de arriba número 12 no puede pasarse de la presión original observada al inicio del funcionamiento del filtro. Si despues de la limpieza de regreso ("Backwash"), la presión es de 4 a 6 psi o arriva de la condición inicial sera necesario de limpieza química de la cama de arena.

Limpeza Con Sustancias Quimicos

1. Se recomienda que uno de los siguientes limpiadores sean usados:
FILTER-CLEANSE™ - Advantis Technologies. Inc.
KLEEN IT® - BioLab, Inc.
Estos limpiadores eliminan aceite, sarro u óxido y corrosión de la cama de arena en un ciclo de limpieza.
2. Mezcle los ingredientes siguiendo las instrucciones del fabricante en la etiqueta.
3. Limpie de reversa ("Backwash") el filtro con la válvula como se describe arriba.
4. Si el filtro esta por debajo del nivel de la piscina, apague la bomba y cierre las válvulas apropiadamente para evitar desagüe o drenaje de la piscina.
5. Apague la bomba, abra la alcantarilla del filtro y deje que el filtro se vacie, y coloque la válvula en la posición de limpieza de reversa ("Backwash").
6. Despues de que el filtro este vacio, cierre la alcantarilla del filtro y quite la tapadera de la canasta del colador de la bomba.
7. Asegurese que la línea de la limpieza de reversa ("Backwash") este abierta.
8. Prenda la bomba y despacio eche o derrame la solucion de limpieza dentro del colador de la bomba con la bomba funcionando o trabajando. Si el filtro esta debajo del nivel de la piscina, abra la válvula de cerrar poco a poco o ligeramente para permitir que la bomba funcione.
9. Continúe añadiendo solución hasta que la cama de arena este saturada con solución de limpieza.
10. Apague la bomba y deje el filtro en la posición de limpieza de reversa ("Backwash"). Deje el filtro en esa posición durante la noche (12 horas).
11. Reemplaze la tapadera de la bomba y siga las instrucciones de la limpieza de reversa ("Backwash") como se describe en la parte de arriba.
12. No permita que la solución de limpieza entre dentro de la piscina.

Reemplazo de la tapadera de la bomba y del desviador ("Diverter")

Si la válvula de control del filtro deja de trabajar apropiadamente, usualmente este problema se corrige con sustituir la tapadera y el ensamble del desviador ("Diverter") como se describe más abajo.

1. Apague la bomba y abra la válvula manual de aire para disminuir toda la presión interna.
2. Fije la palanca de la válvula en la posición de invierno ("Winterizing").
3. Remueva o quite los seis (6) tornillos, tuercas, y el anillo de metal o roscas.
4. Levante la tapadera de la válvula y ensamble del desviador ("Diverter"). **Note: El ensamble de la válvula del desviador ("Diverter") tiene un sello empacado adjunto al desviador ("Diverter"). Cuando maneje el desviador use cautela o precaucion para evitar que la superficie del sello se dañe durante su manejo.**
5. Limpie la superficie del cuerpo sellado de la válvula con un trapo o paño de tela limpio y suave. Inspeccione la superficie por daños, raspaduras y abolladuras. Si la superficie esta dañada, la superficie o el cuerpo de la válvula tiene que ser sustituida o reemplazada.
6. Cuidadosamente lubrique el nuevo repuesto de tapadera de la válvula y el anillo (O-Ring) con un lubricante con base de silicona o con agua de jabón. NO use vaselina o un lubricante con base de petroleo.

⚠ ADVERTENCIA

Incorrecto ensamble de la válvula del tanque puede causar que la válvula se separe y cause graves lesiones y daños a la propiedad.

7. Coloque la nueva manija de la válvula en la posición de invierno ("Winterize"). Instale la nueva tapadera de válvula y ensamble el desviador ("Diverter"). Asegurese de que el pequeño nicho o hueco en la tapadera y el pequeño bulto en el cuerpo de la válvula esten alineados. Instale todos los seis (6) tornillos con sus anillos de metal de reserva debajo de la cabeza de los tornillos. Instale las tuercas en cada uno de los tornillos y apriete los con sus dedos en todos los seis (6) tornillos. Los tornillos deben de ser apretados progresivamente y apretados diametralmente opuestos y siguiendo un patron o un diseño cruzado. Apriete y ajuste todos los seis (6) tornillos colocados en la tapadera de la válvula. **NO LOS SOBREPRIETE.**

Sistema de Invierno ("Winterizing")

⚠ PRECAUCIÓN

Permitir o dejar que el agua se convierta en hielo adentro del sistema, dañara el sistema y puede causar daños de agua/ inundación y posible daños a la propiedad.

1. En áreas donde las temperaturas llegan a un punto de congelación durante el invierno, proteja el equipo de la piscina con una limpieza de reverso ("Backwash") del filtro.
2. Después de la limpieza de reverso ("Backwash"), apague la bomba, abra la válvula de aire manual y mueva la manivela o palanca en la posición para el invierno ("Winterize").
3. Remueva la tapadera de la alcantarilla o drenaje debajo del filtro. El filtro se escurra o desagüe muy despacio. Durante la temporada del cierre de la piscina, se recomienda dejar el drenaje desconectado.

⚠ PRECAUCIÓN

Durante la temporada de cierre la válvula de control debe dejarse en la posición de invierno ("Winterize") para que el sello de goma del desviador ("Diverter") de la válvula no tenga ninguna presión. Negligencia de hacer esto puede dañar la válvula del desviador ("Diverter") y puede causar daños a la propiedad como una gotera.

4. Saque toda el agua del sistema de la caja y la tubería cuando usted anticipa temperaturas de congelamiento. Quite las dos conexiones de drenaje de la bomba para dejar que la bomba se escurra o desagüe completamente.
5. Si es posible, quite la bomba y pongala o coloquela adentro de un lugar limpio y seco.
6. Para una locacion afuera y desprotegida es mejor que proteja el equipo con un encierre a prueba del tiempo.
7. Es recomendable de cubrir el equipo con una lona alquitranada o una lona de plástico para impedir deterioro por el medio ambiente. **NO ENVUELVA EL MOTOR DE LA BOMBA CON PLASTICO**, esto causara que se forme condensación adentro del motor.
8. En instalaciones donde la bomba no puede ser vaciada un 40% Propylene Glycol 60% water solution (solucion de agua) protegera hasta -50° F (-45.5° C). **Nota: No use soluciones "anti-freeze" excepto Propylene Glycol; porque otros "anti-freeze" son muy toxicos y van a dañar la bomba.**

Sección 4

Guía para la identificación de problemas

PROBLEMA	CAUSA	SOLUCION
El agua de la piscina no está lo suficientemente limpia.	<ol style="list-style-type: none"> 1. La química de la piscina no es adecuada para inhibir o impedir el crecimiento de algas. 2. Limpieza de reversa ("Backwash") muy frecuente. 3. Incorrecta cantidad de arena o tamaño equivocado. 4. Giro de velocidad inadecuado del ciclo del agua de la piscina. 	<p>Darle mantenimiento a la piscina con sustancias químicas o consulte a un técnico de servicio.</p> <p>Permita que la presión se acumule a 10 psi sobre la condición del filtro limpio antes de hacer una limpieza de reversa ("Backwash").</p> <p>Inspeccione la profundidad de la cama de arena y el tamaño de la arena o consulte con el técnico de servicio de la piscina.</p> <p>Haga funcionar el sistema por un tiempo más largo o consulte con el distribuidor o con el técnico de servicio de la piscina.</p> <p>Haga o realice una limpieza de reversa ("Backwash") hasta que el chorro de agua salga transparente.</p> <p>Limpie el filtro con sustancias químicas.</p>
Alta presión del filtro.	<ol style="list-style-type: none"> 1. Insuficiente Limpieza de reversa ("Backwash"). 2. La cama de arena tapada con depósitos minerales. 3. Válvula parcialmente cerrada o restringida. 	<p>Abra la válvula o remuera la obstrucción en la tubería de retorno.</p> <p>Lave por corriente hasta que el chorro de agua salga transparente.</p>
Ciclos cortos del filtro.	<ol style="list-style-type: none"> 1. Incorrecta Limpieza de reversa ("Backwashing"). 2. La química de la piscina no es adecuada para inhibir o impedir el crecimiento de algas. 3. La cama de arena esta tapada o atascada. 4. La velocidad de la corriente es demasiado alta. 	<p>Darle mantenimiento a la piscina con sustancias químicas o consulte con el técnico de servicio de la piscina.</p> <p>Manualmente quite una 1 in. de la superficie superior de la cama de arena y haga una limpieza de sustancias químicas según sea necesario.</p> <p>Restrinja o limita la corriente de la capacidad del filtro.</p>
La corriente de regreso a la piscina disminuida, baja presión del filtro.	<ol style="list-style-type: none"> 1. Obstrucción en el colador de la bomba de pelusa y cabello. 2. Obstrucción de la bomba. 3. Obstrucción en la tubería de succión a la bomba. 	<p>Limpie el canasto en el colador.</p> <p>Desmonte o desarme y limpie la bomba.</p> <p>Limpie la canasta de la espumadora ("Skimmer"). Remueva la obstrucción en las tuberías.</p> <p>Abra las válvulas en la tubería de succión.</p>
Arena de regreso a la piscina.	<ol style="list-style-type: none"> 1. Lateral debajo del drenaje quebrado. 2. Velocidad de limpieza de reverso ("Backwash") demasiado alta. 	<p>Reponga o sustituya el lateral dañado o roto.</p> <p>Reduzca la velocidad de la corriente de limpieza de reversa ("Backwash").</p>

Sección 5

Información técnica y partes de Repuesto

Nota

Por favor mire la información técnica y lista de partes de replazo específicamente para su filtro.

Notas

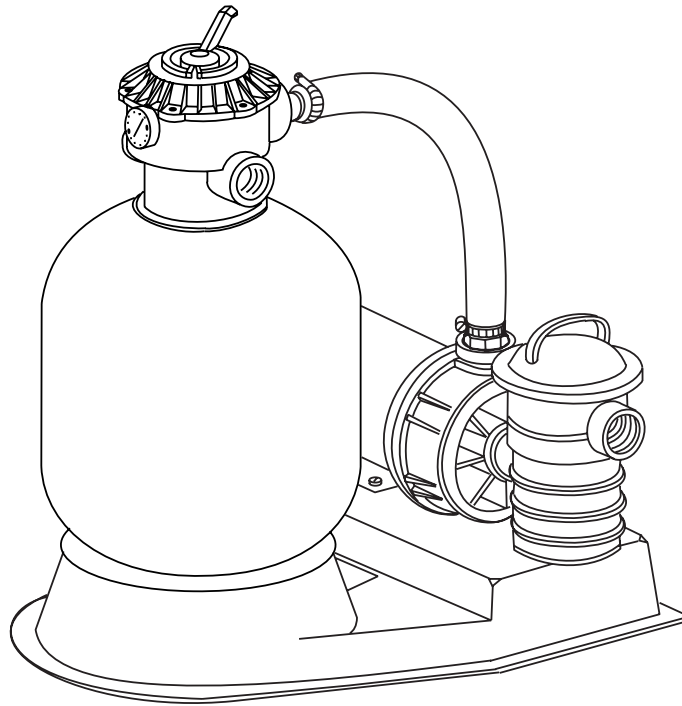
Notas



P/N 152007 Rev A



Sistema de Bomba y filtro de arena



Guía del Usuario Y de Instalación

INSTRUCCIONES DE SEGURIDAD IMPORTANTES
LEA Y SIGA LAS INSTRUCCIONES
PROTEJA ESTAS INSTRUCCIONES

Guía del Usuario y de Instalación del sistema de la Bomba y Filtro de

Soporte Técnico

Sanford, North Carolina (8 A.M. a las 5 P.M. Horario del Este y Pacifico)

Moorpark, California (8 A.M. a las 5 P.M. Horario del Este y Pacifico)

Telefono: (800) 831-7133

Fax (800) 284-4151

Pagina de internet: visite www.pentairpool.com y staritepool.com

Indice

Advertencias e Importantes Precauciones de Seguridad.....	i
Sección 1: Información acerca del Filtro de arena y bomba.....	1
Sección 2: Instalación	2
Sección 3: Operación y Mantenimiento	11
Comienzo Inicial.....	11
Mantenimiento.....	12
Limpieza	13
Procedimiento de limpieza de reversa del filtro "Backwash".....	14
Limpieza con Sustancias Quimicas	15
Reemplazamiento de la valvula de arriba y el desviamento "Diverter".....	16
Sistema de Invierno "Winterizing".....	17
Sección 4: Guia para la identificacion de problemas	18
Sección 5: Información técnica y partes de repuesto	19

© 2009 Pentair Water Pool and Spa, Inc. Todos los derechos reservados.

1620 Hawkins Ave., Sanford, NC 27330 - (919) 566-8000

10951 West Los Angeles Ave., Moorpark, CA 93021 - (805) 553-5000

Pentair Water Pool and Spa® es marca comercial y/o marca registrada de Pentair Water Pool and Spa, Inc. y/o de sus compañías afiliadas en Los Estados Unidos y/o en otros países. Filter-Cleanse es una marca de Advantis Technologies Inc. y Klean It es una marca registrada de BioLab, Inc. A menos que sea indicado, los nombres y marcas de otras compañías pueden ser utilizados en este documento pero no son utilizados para indicar una afiliación o endorse entre los propietarios de estos nombres y marcas y Pentair Water Pool and Spa, Inc. Esos nombres y marcas pueden ser las marcas comerciales o registradas de esas entidades u otros.

Numero de parte 152007 Rev A - 12/08/09

ADVERTENCIA E IMPORTANTES PRECAUCIONES DE SEGURIDAD

⚠ PELIGRO LESIONES SEVERAS O MUERTE PUEDEN SER CAUSADOS SI LA BOMBA Y EL FILTRO DE ARENA NO ESTAN INSTALADOS Y USADOS CORRECTAMENTE.

⚠ PELIGRO TIENEN QUE LEER ESTAS ADVERTENCIAS Y TODAS LAS INSTRUCCIONES ANTES DE USAR LA BOMBA Y EL FILTRO DE ARENA.

⚠ ADVERTENCIA Este sistema de Bomba y Filtro de Arena es producido con la intencion de usarse en un sistema de piscina.

⚠ ADVERTENCIA Casi todos los Estados de Los Estados Unidos y códigos locales regulan la construcción, instalación, y operación de piscinas públicas y balnearios, y la construcción de piscinas y balnearios. Es muy importante seguir estos códigos, la mayoría afectan directamente a la regulación de instalación y el uso de este producto. Consulte con su código local de construcción para más información.



NOTA IMPORTANTE – Atención instalador: Esta Guía del Usuario y de Instalación (“Guía”) contiene información importante acerca de la instalación, operación y uso seguro de esta Bomba y Filtro de Arena. Esta guía debe ser entregada al dueño de la piscina y/o al operador de este equipo de sistema.

⚠ ADVERTENCIA Antes de instalar este producto, lea y siga todas las notas de advertencia e instrucciones en esta guía. En caso de no seguir las advertencias e instrucciones de seguridad puede resultar en lesiones severas, muerte o daño de propiedad. Llame al (800) 831-7133 para obtener copias adicionales gratuitas de estas instrucciones. Por favor refiérase a www.pentairwater.com para más información acerca de este producto.



⚠ PELIGRO La temperatura de agua a más de 100 °F (37.7 °C) puede ser peligroso para su salud. Sumersiones largas en agua caliente pueden inducir hipotermia. La hipotermia puede ser causada cuando la temperatura interna del cuerpo llega a un nivel o más grados sobre la temperatura normal del cuerpo que es 98.6 °F (37 °C). Los efectos de la hipotermia son: (1) Ignorar el inminente peligro. (2) No sentir o percibir calor. (3) No reconocer la necesidad de salirse del balneario. (4) Inhabilidad física de salirse del balneario. (5) daño al feto para mujeres embarazadas. (6) Perder el conocimiento resultando un peligro para ahogarse. El uso de alcohol, drogas, o medicación puede

⚠ ADVERTENCIA Para reducir el riesgo de lesiones, no permita que los niños usen operen esta Bomba y Filtro de Arena.

⚠ ADVERTENCIA Cuando se establece el volumen y la corriente de agua que entra en la piscina, el operador tiene que considerar los códigos locales que rigen los volúmenes de agua y también las reglas para las raciones de desinfección.

⚠ ADVERTENCIA No aumentar el tamaño de la bomba; esto puede causar que el volumen de agua que pase por el sistema pueda excedir el volumen máximo de agua que esta indicado en el cubierta de el drenaje.

ADVERTENCIA E IMPORTANTES PRECAUCIONES DE SEGURIDAD

⚠ ADVERTENCIA Para bombas y filtros de arena que van a ser instalados en locaciones que no son para una vivienda, un interruptor visible de emergencia tiene que ser incluido de parte de esta instalación. El interruptor de emergencia tiene que estar instalado en un lugar donde sea accesible por los ocupantes y tiene que ser instalado por lo menos 5 pies (1.52 metros) de alcance, cerca de, y de vista de la bomba y del filtro de arena.



PELIGRO Alta presión del Filtro de Arena puede causar lesiones graves o gran daño de propiedad por la separación del tanque.

Saque la presión del Filtro y lea las instrucciones antes de ponerse a trabajar en el Filtro de Arena.

Si la abrazadera del Filtro a sido ajustada con presión, el tanque puede separarse causando lesiones serias y gran daño de propiedad.

⚠ ADVERTENCIA Antes de trabajar en el Filtro!
 (1) Apague la bomba.
 (2) Abrir la válvula para sacar el aire
 (3) Sacar toda la presión del sistema

**RIESGO DE UN CHOQUE ELECTRICO O ELECTROCUCION:
 LA BOMBA NECESITA ALTO VOLTAGE Y ESO PUEDE CAUSAR UN CHOQUE ELECTRICO, QUEMADURA, O MUERTE.
 ANTES DE USAR LA BOMBA!**



PELIGRO SIEMPRE DESCONECTE LA ENERGIA DE LA BOMBA DESDE EL INTERRUPTOR AUTOMATICO ANTES DE TRABAJAR Y DAR SERVICIO A LA BOMBA. SI NO HACE ESTO, PUEDE SER CAUSA DE MUERTE O SERIAS LESIONES A LA PERSONA QUE TRABAJE DANDO SERVICIO A LA BOMBA, LOS QUE ESTÉN USANDO LA PISCINA, U OTROS DEVIDO A UN CHOQUE ELÉCTRICO.

⚠ ADVERTENCIA Una bomba de piscina o balneario debe de ser instalada por una persona calificada para servicio de piscina y balnearios profesional por reglas establecidas por el código nacional de electricistas y todos los códigos locales y leyes. Instalación inapropiada puede causar peligro de choque eléctrico que puede causar muerte o daño serio para los que usen la piscina, instaladores, u otros, y también puede dañar la propiedad.

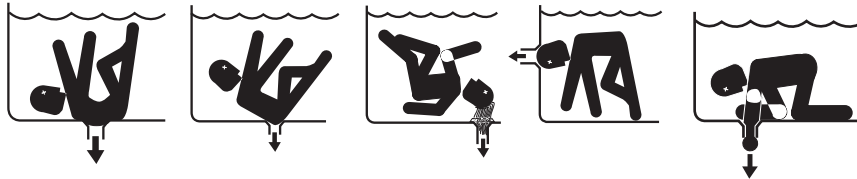
⚠ ADVERTENCIA Una Bomba inapropiada en tamaño o instalada o usada en un sistema diferente de lo que es destinada en uso, puede resultar en serias lesiones personales o muerte. Estos riesgos pueden incluir y no son limitados a un choque eléctrico, fuego, inundación, trampa de succión o serias lesiones o serios daños causados por un derrumbe estructural de la Bomba u otros componentes del sistema.

⚠ ADVERTENCIA Nunca pasarse del volumen máximo estipulado en la Solamente use un sistema de Bomba correspondiente a la velocidad de la corriente del agua. Omisión o ignorar esto puede resultar en cabello o cuerpo atrapado que puede resultar en graves lesiones personales o muerte. En caso de tener dudas acerca del sistema de la bomba consulte a una persona calificada de servicio de piscina profesional.

ADVERTENCIA E IMPORTANTES PRECAUCIONES DE SEGURIDAD

⚠ ADVERTENCIA Bombas no son un sustituto para cubiertas de drenaje que estén instalados correctamente y que estén seguros. Una cubierta de drenaje contra trampa aprobado por el ANSI/ASME A112.19.8 tiene que ser usado para cada drenaje. Piscinas y balnearios deben de utilizar por lo menos dos drenajes o tubos de desagüe por bomba. Inspeccionar regularmente todas las tapaderas por daños de quebraduras, sueltas, o que se hayan perdido. Si una cubierta de drenaje se suelta, se quiebra o se pierde, cierre la piscina o balneario inmediatamente y apague la bomba, ponga una nota de advertencia en la que continúe la piscina y el balneario cerrado hasta que una cubierta de drenaje apropiado VGB 2008 que no atrape ("anti-entrapment") sea instalado correctamente con los tornillos de el fabricante. Tapaderas que se hayan deteriorado sobre el tiempo por exposición al sol o por sustancias químicas de piscina. Las tapaderas deben de ser reemplazadas en un periodo de (7) siete años desde su instalación (o mas rápido si las tapaderas se deterioran o dañan antes de ese periodo).

⚠ PELIGRO RIESGO DE ATRAPARSE POR LA SUCCION



Bombas y Filtros de Arena para piscina y balnearios mueven grandes volúmenes de agua, que pueden causar peligro extremo al cabello de una persona si se aproxima muy cerca al drenaje que no tenga una medida apropiada para la Bomba o el Filtro de Arena.

Cabello Enredado - Cuando el cabello se enreda y hace nudos en la tapadera del drenaje, atrapa al nadador debajo del agua. Este peligro se presenta cuando la velocidad de la corriente de agua sobre la tapadera del drenaje es muy pequeña para la Bomba y el Filtro de Arena.

Extremidades piernas o brazos atrapadas - Cuando una pierna o brazo es succionada o insertada adentro de cualquier abertura resultando en una involuntaria hinchazón. Este peligro se presenta cuando la tapadera del drenaje esta quebrada, suelta, floja, no existe o no esta instalada apropiadamente.

Cuerpo atrapado - Cuando una parte del cuerpo se atora sobre la tapadera del drenaje, atrapa al nadador debajo del agua. Este peligro se presenta cuando la tapadera del drenaje esta quebrada, suelta, floja, no existe o no esta instalada apropiadamente.

Destripamiento/Desentripar - Cuando una persona (particularmente un niño) se sienta sobre una salida de succión o desagüe de una piscina o balneario se va directamente a los intestinos, causando graves daños intestinales. Este peligro se presenta cuando la tapadera del drenaje no existe, esta suelta, floja, quebrada o no esta instalada apropiadamente.

Atrapamiento Automatico - Cuando joyeria, traje de baño, decoraciones del cabello, dedos de las manos o los pies son atrapados en una abertura, en una salida o en la tapadera del drenaje. Este peligro se presenta cuando la tapadera del drenaje no existe, esta quebrada, suelta o no esta instalada correctamente.

ADVERTENCIA E IMPORTANTES PRECAUCIONES DE SEGURIDAD

Para información acerca de Virginia Graemer Baker Pool and Spa Safety Act, contacte a Consumer Product Safety Comisión a (310) 504-7908 o vista www.spssc.gov.

Nota Importante: Siempre apague todo el poder electrico para la bomba de la piscina antes de instalar la cubierta o trabajar en las cubiertas de drenaje (“Suction Outlets”).

Nota para la Bomba controlada por dos velocidades (Titulo 20 de Adaptacion) Por favor lea las siguientes instrucciones importantes de seguridad. Cuando se usa una Bomba de dos velocidades fabricada en o despues de Enero 1, 2008 la velocidad de la circulacion debe estar automaticamente establecida o fijada a la velocidad más baja, con una velocidad más alta pasaria por encima de la capacidad de la Bomba pasando por un periodo temporal y no sobrepase un ciclo normal, o por dos horas, cualquiera que sea menos.

Sección 1

Resumen de la Bomba y del Filtro de Arena

Este sistema funciona bajo presión y si es inapropiadamente construido o funciona con aire en el sistema de circulación del agua puede que resulte en separarse o cause un accidente resultando graves lesiones del cuerpo. Una etiqueta de advertencia ha sido añadida a el Filtro de Arena y no puede ser removida o eliminada. Mantenga las etiquetas de advertencia en buena condición y reemplacelas si se han perdido o son ilegibles. (Para etiquetas gratis llame al teléfono (919) 774-4151). Bombas y Filtros de Arena nunca deben ser sujetas a pruebas de aire o gas bajo presión. Todos los gases concentrados y bajo presión pueden causar peligro. Graves lesiones del cuerpo o daños de propiedad pueden ocurrir si la Bomba o el Filtro de Arena son sujetos al aire o gas de presión.

Este sistema primeramente consiste de una Bomba centrífugo, un Filtro de Arena de alta velocidad con válvula de control, una conexión de manguera y una base para montar. Su Bomba centrífugo es manejada por un motor electrico. El motor esta directamente atado a la Bomba centrífugo. Cuando el motor electrico da vueltas ocasiona compulsivas vueltas causando que el agua circule. El agua circula hacia el contenedor para la pelusa y cabello y a través del cesto construido para recoger particulas más grandes. Despues la corriente de agua entra al centro de la Bomba. La corriente pasa por el centrífugo y dentro del distribuidor estacionario, para salir por la emisión de la Bomba, pasando por la conexión de manguera y por la válvula de control del Filtro de Arena. Se acumula tierra en el Filtro de Arena cuando la corriente de agua pasa por la válvula de control por la parte de arriba del Filtro y es dirigida hacia abajo sobre la superficie de la cama del Filtro de Arena. La tierra se colecciona en la cama de arena del Filtro y la corriente de agua limpia pasa por la tuberia de abajo de el Filtro hacia la tuberia de enmedio de la válvula de control y hacia la parte de arriba del Filtro de Arena. Despues el agua limpia regresa por el sistema de tuberia de la piscina. La presion subira y la corriente de la piscina sera más baja porque la tierra se acumulo en el Filtro de Arena. Eventualmente, el Filtro de Arena se tapara con tierra y sera necesario realizar el procedimiento de limpieza de reversa ("Backwash") del Filtro de Arena. Es muy importante saber cando hacer la limpieza de reversa ("Backwash") del Filtro de Arena. Para la informacion de la limpieza de reversa ("Backwash") del Filtro de Arena, dirijase a la pagina 13 y 14 El seis (6) posición de operación y el uno (1) posición de Invierno la válvula esta designada para proveer todas las posiciones necesarias y requeridas para operar, mantener, y dar servicio a las fallas de su Filtro de Arena.

⚠ PELIGRO Aire que entre al Filtro y a la abrazadera de la válvula por no estar apropiadamente cerrada puede ocasionar que la válvula se separe y que cause graves lesiones al cuerpo y daños a la propiedad.

⚠ ADVERTENCIA Para prevenir equipo dañado y posibles lesiones, siempre apague la Bomba y el Filtro de Arena antes de cambiar la posición de la válvula.

⚠ ADVERTENCIA

Este filtro funciona con presión alta. Cuando cualquier parte del sistema de circulación (abrazadora, bomba, filtro, válvulas, etc.) se le da servicio, aire puede entrar al sistema y puede ser presionado. Aire con presión puede causar la tapadera del filtro o la válvula de control que se separe, y esto puede causar lesiones graves, muerte, o daños de propiedad. Para evadir estos problemas, siga estas instrucciones.

1. Antes de reposicionar las válvulas y antes de empezar el ensamble, desensamble, ajuste de la abrazadera o cualquier otro servicio del sistema de circulación: (a) Apague la Bomba y todos los controles automáticos para asegurarse que el sistema: no empieza a arrancar o trabajar por error cuando la estén arreglando; (b) Abra la válvula de aire manualmente; (c) Esperar a que toda la presión se relaje, el medidor de presión tiene que indicar cero (0).
2. Cuando se instala la abrazadera para el filtro, siga las instrucciones exactas para la tapadera del filtro y de la abrazadera.
3. Cuando el servicio a el sistema de circulación este completo, siga las instrucciones exactas del sistema para arrancar el filtro.
4. Mantenga el sistema de circulación apropiadamente. Reemplace las partes que estén dañadas y desgastadas inmediatamente (Ejemplo: abrazadora, indicador de presión, válvula, empaque, etc.).
5. Asegúrese que el filtro este instalado apropiadamente y colocado de acuerdo a las condiciones de las instrucciones.

Funciones de la válvula de control y de la dirección de la corriente del agua

Filtro "FILTER": Desde la Bomba, a través de la válvula, por debajo a través de la cama del filtro, hacia arriba a través de la tubería del centro para el agujero de la válvula de regreso, y de regreso hacia la piscina para una acción normal del filtro y aspirar la piscina a través del filtro.

Limpieza de Regreso "BACKWASH": Desde la Bomba, por la válvula, debajo a través de la pipa del centro, hacia arriba por el Filtro de Arena y para la válvula, y hacia afuera por la apertura de basura. Esta posición es usada para limpiar el filtro y correr la corriente en reverso.

Enjuague "RINSE": Desde la Bomba, por la válvula, por debajo a través de la arena del filtro, hacia arriba por la pipa del centro de la válvula y para afuera por la apertura de basura. Esta posición es usada para limpieza inicial y reposición de la cama del filtro después de la limpieza de regreso "Backwash".

Basura "WASTE": Desde la Bomba, a través de la válvula, se salta el filtro y sigue hacia la apertura para la basura. Esta posición es para aspirar directamente la basura, bajando el nivel de la piscina, o para evacuar toda el agua de la piscina.

Cerrado "CLOSED": NO HAY CORRIENTE DE AGUA EN ESTA POSICION - NO USE ESTA FUNCION CUANDO LA BOMBA ESTE FUNCIONANDO.

Recirculando "RECIRCULATING": Desde la Bomba, a través de la válvula, se salta el filtro y sigue hacia la apertura de regreso y regresa a la piscina. Esta posición es para circular el agua sin pasar a través del Filtro.

Invierno “WINTERIZING” (Para áreas donde el equipo de piscina y balnearios pueden congelarse): La posición de válvula y del Filtro de Arena para prepararse para el invierno, lea la página 17.

Por favor tome nota de que el Filtro de Arena elimina o remueve sustancias o materias de basura sobre el agua pero no destruye germenos o microbios de la piscina. El agua de la piscina debe estar sin bacterias o microbios y debe estar balanceada para una agua transparente y brillante. Sustancias químicas para la piscina es una area especializada y usted debera consultar a un especialista de servicio de piscina local para detalles especificos. En general la hygiene apropiada de la piscina requiere un nivel libre de cloro desde el 1 hasta 2 PPM y un pH desde el 7.2 hasta el 7.6 . Su sistema de filtración debera ser designado para alcanzar los codigos locales de salud. Por lo mínimo, usted debe de asegurarse de que el ciclo de su sistema mueva el volumen total de agua de su piscina por lo menos dos veces en un periodo de veinticuatro horas (24).


⚠ ADVERTENCIA Negligencia de hacer funcionar su sistema de filtracion o inadecuada filtracion puede causar deplorable claridad del agua y obstruir la vicibilidad en su piscina y eso puede permitir dividirse en o sobre oscuros objetos, y esto puede causar graves lesiones personales o ahogarse.

Sección 2

Instalación

1. **Lea y entienda todas las instrucciones antes de tratar de instalar, operar o darle mantenimiento a su Bomba y su sistema de Filtro de Arena.**
2. Proveer espacio y luz para el mantenimiento de rutina. Coloque el sistema cerca la piscina. Refierase a la Figura 1 para una tipica instalacion. **Nota: Instalar controles electricos (e.g., interruptor electrico de prendido/apagado (on/off switch), cuentaminutos (timers), sistema de control, etc.) por lo menos cinco (5) pies del filtro. Esto le dejara tener espacio suficiente desde el filtro durante el inicio del sistema.**
Sistemas que no estan ensamblados, armados o construidos deberan ensamblarse en este momento. Lea las siguientes instrucciones especiales desde la A hasta la G.
 - A. Este seguro que todos los interruptores electricos de la Bomba esten apagados, y desconecte los cables de comunicacion con la Bomba antes de instalar la base.
 - B. Remover todos los componentes individuales de la caja de cartón e inspeccionar por algun daño visible. Si las partes de la caja de cartón estan dañadas comunicarse con el vendedor o la compañía de envios.
 - C. Coloque la base de soporte del sistema sobre el suelo cerca de la posición final de la unidad. Refierase a la figura uno (1) en la siguiente página.

⚠ PELIGRO Este filtro funciona con presión de agua. Con la válvula conectada apropiadamente y operada sin aire en el sistema, este filtro puede trabajar en un modo seguro. Aire que entra al filtro y la válvula cuando no esta conectada apropiadamente puede causar que la válvula se separe, esto puede causar graves lesiones a las personas y/o daño a la propiedad.



⚠ ADVERTENCIA Siempre apague la Bomba antes de cambiar posiciones de válvula. Cambiar posiciones de válvula cuando la Bomba esta funcionando puede dañar la válvula de control, esto puede causar graves lesiones o daño a la propiedad.

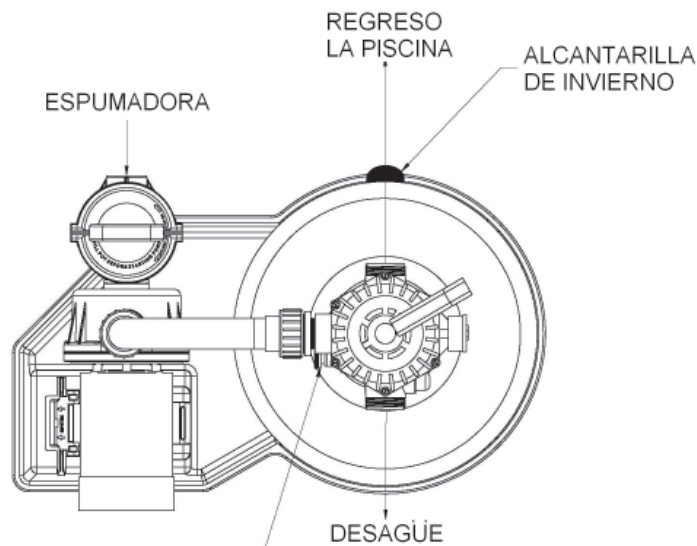


Figura 1. VÁLVULA MANUAL

- D. Inspeccione debajo del filtro y confirme la orientación de los pequeños huecos para que encajen con el tanque.
- E. Alinear los pequeños huecos del tanque para que correspondan a las aberturas en la parte de soporte del filtro en la base. Coloque el filtro en la base.

- F. Puede que ahora la Bomba este unida al lado de la base de soporte de la Bomba. Esta Bomba puede ser orientada o ajustada como se indica en la Figura 2.

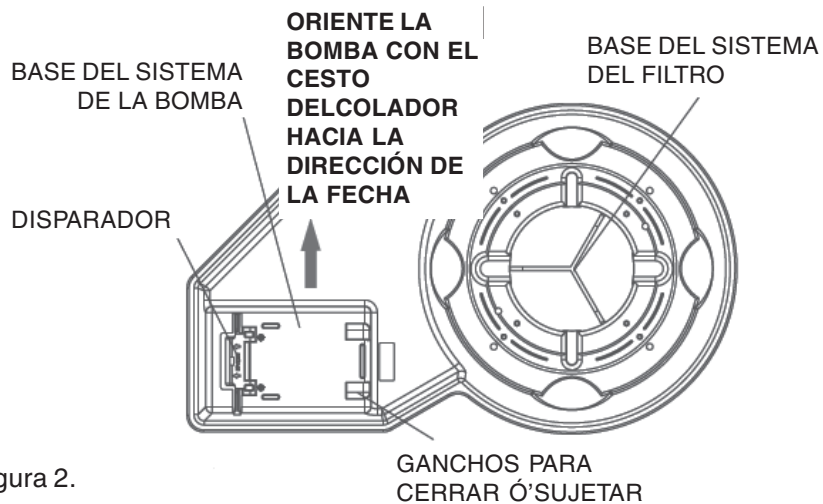


Figura 2.

- G Deslice el pie de la Bomba entre el gancho de sujetar y el disparador. Referirse a la Figura 3. Siente la Bomba a través de empujar hacia abajo sobre ella hasta que el gancho de sujetar haga un ruido corto cuando entre en su lugar sobre el pie de la Bomba. Refierase a la Figura 4. La bomba tiene que ser posicionada como es indicado en la Figura 5. Instale y empuje los dos ganchos de sujetar a través de la ranura en el pie de el motor, hacia los dos hoyos en la base cerca de el disparador.

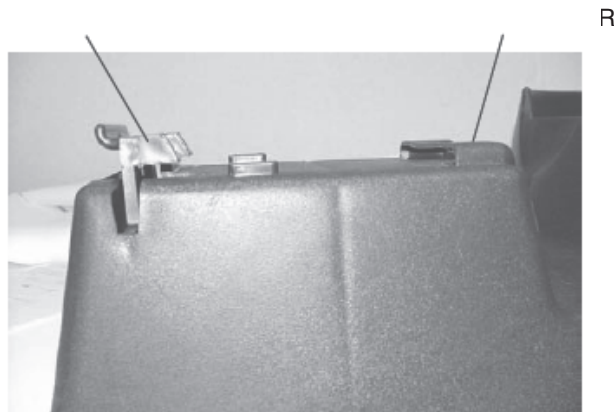


Figura 3.

6

- Ahora, mueva el sistema para la posición final. El sistema debe estar situado o colocado en un lugar con nivel sólido de la tierra. El entero sistema lleno con arena y agua puede pesar varias o más de cien libras.



Figura 4.

PIE DE LA BOMBA

- Asegúrese de instalar la cantidad precisa de arena en el filtro que esta indicada en la placa del nombre de su filtro. Usted debe de usar solamente número (veinte) 20 arena silica tradicional teniendo una uniformidad coeficiente de 1.75 o menos. Número (veinte) 20 arena silica tiene un número particular de .018-.022 pulgadas (.45 hasta .55 mm). Antes de derramar la arena en el filtro, mire adentro e inspeccione debajo del tubo de desagüe por lados laterales quebrados o sueltos (o dedos), que pudieran haber sido accidentalmente dañadas por difícil manejo durante el envío. Remplaze las partes necesarias.
- Instale la arena guiada sobre el filtro y llene el tanque hasta la mitad de agua. Derrame la arena sobre el filtro a un paso lento para que el peso de la arena no dañe los lados laterales. Despues de la cantidad requerida de arena a sido intalada, remueva y tire la guia de arena. Limpie la arena alrededor de la apertura sobre el tanque.

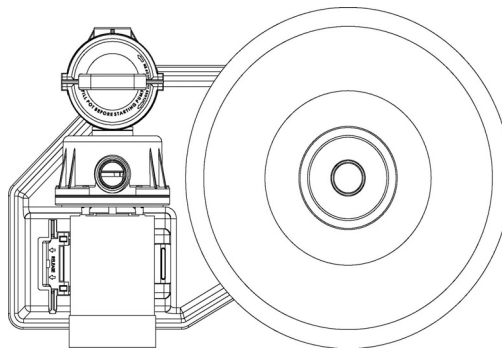


Figura 5.

6. Asegúrese que la parte de arriba del filtro este libre de arena o restos de arena y escombros y el o-anillo de válvula este en su lugar en el cuerpo de la válvula. Instale la válvula para que la posición de las aperturas estén en finalmente la posición deseada. Refierase a la Figura 1 (vea la página 4).
7. Asegúrese que la válvula este firmemente empujada hacia arriba del tanque y que la pestaña del tanque y la pestaña de la válvula estén en contacto con si mismas. Vea la Figura 6.

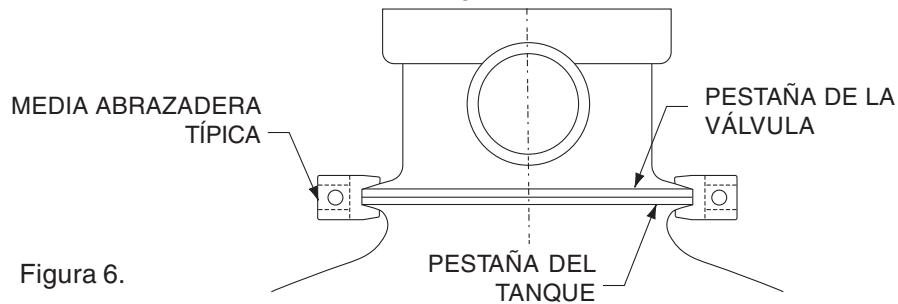


Figura 6.

8. Ahora puede ser instalada La abrazadera de plástico. Ponga la mitad de la abrazadera sobre la pestaña de la válvula y la pestaña del tanque como esta señalado en la Figura 6. Inserte los tornillos y tuercas de la válvula en la mitad de la abrazadera asegurándose que las tuercas estén localizadas en la parte hexagonal de la abrazadera. Refierase a la Figura 7.

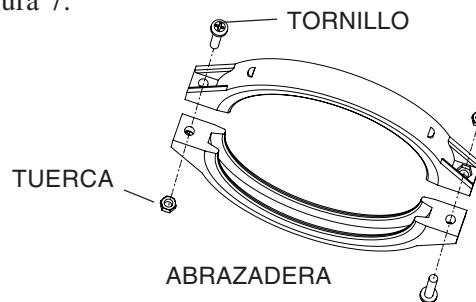


Figura 7.

9. Para asegurarse que la ensambladura este correctamente ensamblada. Apriete los tornillos de la abrazadera firmemente e inspeccione visualmente la válvula del tanque y abrazadera que esten ensambladas.



Presión alta:
Inapropiada ensambladura de la válvula del tanque puede causar que la válvula se separe y cause graves lesiones y/o mayores daños a la propiedad.

10. Aberturas de la válvula estan marcadas o etiquetadas con el lugar donde deben ser conectadas por ejemplo la abertura de la bomba debe conectarse con la abertura de salida de la bomba, la abertura de basura debe ser conectada con la linea de basura, y la abertura de regreso debe de ser conectada con la abertura de regreso de la piscina.
11. La unidad de filtro tiene una presión máxima para operar o funcionar como se indica en la placa personalizada del filtro. No opere o funcione esta unidad pasando la operacion máxima de funcionamiento o de la válvula o el filtro. Nunca conecte el filtro y la unidad de la válvula a una bomba que pueda generar una presión que exceda o sobrepase la presión de funcionamiento del filtro o la válvula.
12. Use un sellador apropiado en todas las conecciones machos de las tuberias. Use solamente selladores de componentes para tuberias de plastico. Soporte las tuberias para preveenir tensión en el filtro, la bomba y la válvula. **NUNCA UTILIZAR PRODUCTOS CON BASE DE PETROLEO.**
NOTA: Todos los cables internos de la válvula son puntiagudos excepto la conección del tubo de escape. No apriete de más o sobreapriete los cables puntiagudos.
13. Instale una medida de presion ¼" NPT de apertura directamente desde la apertura de la bomba de la válvula.
14. Nunca guarde sustancias químicas de la piscina cerca de diez (10) pies del filtro de la piscina, bomba o válvula. Sustancias químicas tienen que estar guardadas o almacenadas en áreas frescas, secas, y bien ventiladas.

⚠ ADVERTENCIA Gases de sustancias químicas o derramados en el suelo pueden causar corrosión para la estructura de los componentes del filtro y bomba. Componentes con estructuras débiles pueden causar partes del filtro, bomba o válvula que se separen y pueden causar graves lesiones o daños de propiedad.

⚠ ADVERTENCIA El sistema centrífugo de la bomba opera con alto voltaje eléctrico, y puede crear aspirar o drenar y presión en el sistema de agua. Cuando la bomba esta conectada apropiadamente a su plomeria, esta bomba funcionara de un modo seguro.

⚠ ADVERTENCIA Alto voltaje eléctrico puede causar graves lesiones o lesiones fatales. Siempre instale un interruptor de tierra GFCI "Ground Fault Interrupted" en el origen o raiz de la fuerza electrica de esta unidad como una regla de precaución. El Artículo 681-31del NEC requiere que un GFCI sea usado si esta bomba es usada con una piscina portatil que se puede guardar.

15. Evite sobreapretar los cables de la tubería cuando los conecte a la bomba o válvula. El procedimiento apropiado es de aplicar un sellador de tubería a todos los cables y apretarlos con las manos y una (1) vuelta más. **NO LOS APRIETE DE MÁS O SOBREAPRIETE.**
16. La línea de succión de la bomba no debe ser mas pequeña que la tubería de la pestaña de la bomba.
17. **La conexión eléctrica de la bomba debe ser ejecutada por una persona de servicio a piscinas y balnearios calificada y profesional de acuerdo con los Codigos Electricos Nacionales y Codigos Electricos Locales.**

Información recomendada de Circuitos electricos e interruptor					
Motor HP Caballos de Fuerza	Branch Circuit Circuito de Derivación	Volts/Hz/Phase Voltios Fare	Distancia en pies del circuito de la Derivación		
			0-50 Ft.	50 - 100 ft.	
3/4	15 AMP	115/60/1	No. 14	No. 14	Minutos de Servicio (min. Service)
1	15 AMP	115/60/1	No. 12	No. 12	Cable (Wire)
1-1/2	20 AMP	115/60/1	No. 12	No. 10	Medida (Size)
1-1/2	15 AMP	230/60/1	No. 14	No. 14	Para del motor (To Motor)

⚠ ADVERTENCIA

Obstrucción en las cubiertas de drenaje (Succión Fittings) puede causar graves lesiones o lesiones fatales debido a ahogarse. Para reducir el riesgo de graves lesiones, no deje que los niños operen o hagan funcionar este producto.

⚠ ADVERTENCIA

Nunca trabaje en la bomba cuando la bomba esta operando o trabajando o este conectada a el poder eléctrico. Alto voltaje puede causar graves lesiones o fatalidad. Un interruptor de tierra "Ground Fault Interrupted (GFCI)" apropiado tiene que estar siempre instalado en la raíz o fuente de energía eléctrica de esta unidad. Asegúrese de que el motor este conectado a un interruptor de tierra antes de ser conectado a el sobretensión de corriente "(AC) power supply". Si el motor no tiene paso a la tierra esto puede causar lesiones serias o fatales por electrocución. La negligencia de instalar un interruptor de tierra "Ground Fault Interrupted (GFCI)" conectado al motor puede causar riesgos o peligros graves o fatales de choques electricos. ~~No utilice un interruptor de tierra a la línea que suministra gas.~~

10

18. Use una tuerca de tierra sobre el marco del motor y todas las partes metálicas de la piscina, balneario, toda la estructura del equipo eléctrico, tubo de metal, y toda las tuberías metálicas con conductor sólido de cobre no menos de número 8 A.W.G.
19. El motor de la bomba tiene que tener los cables necesarios para un voltaje apropiado de acuerdo con el diagrama de cables proporcionado o proveído con el motor. Note: Usando cables para el motor con incorrecto suministro de voltaje puede dañar el motor y anular la garantía.
20. La instalación eléctrica para el motor tiene que mantenerse lo pequeño o corto posible y lo suficientemente larga para que NO cause una caída de un excesivo voltaje que puede causar daños a la bomba. Use la gráfica de arriba como una guía para asegurarse de que el voltaje adecuado es suministrado a la bomba.
21. **Este producto debe ser suministrado con un cable de 6 ft. 3in. con boquilla de prueba. Este cable es suministrado o proveído para su conveniencia de ayudarlo a inspeccionar que la bomba este funcionando y operando antes de que el sistema sea instalado a la piscina. Este cable de prueba NO debe ser usado como una conexión permanente. Cuando examine que la bomba esta funcionando, no la deje trabajar o funcionar por más de 30 segundos. Daños mecánicos al sello de la bomba pueden resultar si se trabaja u opera por más de 30 segundos.**

⚠ ADVERTENCIA

UNIDAD PARA CABLES Y CONEXIÓN DE ENCHUFES



⚠ PELIGRO

Riesgo de choque eléctrico:

Solo conecte a un receptáculo de tipo o clase de tierra protegido por el interruptor de tierra (GFCI) "Ground Fault Circuit Interrupter". Si usted no puede verificar que el receptáculo es protegido por el interruptor de tierra contacte a un electricista calificado.

No entierre los cables. Localice los cables para minimizar el abuso de cortacéspedes, tijeras de podar, y otros equipos.

Para reducir el riesgo de un choque eléctrico, reemplace cables dañados inmediatamente.

Para reducir el riesgo de un choque eléctrico, No use una extensión eléctrica para conectar la unidad al suministro eléctrico; proveer o localizar una toma de corriente adecuada.

Section 3

Operación y Mantenimiento

Comienzo Inicial

1. Limpie una piscina nueva antes de llenarla de agua. Excesiva tierra o lodo y grandes partículas pueden causar daños a la bomba y al sistema del filtro de arena.
2. Inspeccione que la apertura de la limpieza de reversa ("Backwash") este abierta para que el agua salga libremente de la piscina y que la corriente salga por la línea de limpieza de reversa ("Backwash"). Seleccione la válvula de control en la posición de limpieza de reversa ("Backwash").

⚠ PELIGRO



Este filtro funciona bajo presión. Con la válvula conectada apropiadamente y operada sin aire en el sistema, este filtro puede funcionar de un modo seguro. Aire que entra el filtro y a la válvula cuando no esta conectada correctamente puede causar que la válvula se separe, esto puede causar graves lesiones personales y/o daños a la propiedad.

⚠ ADVERTENCIA

Siempre apague la bomba antes de cambiar posiciones de válvula. Cambiar posiciones de válvula cuando la bomba esta funcionando puede dañar la válvula de control, esto puede causar graves lesiones o daños a la propiedad.

3. Asegurese que la reserva de la bomba este llena de agua antes de encender la bomba. Mantenga todas las ventanillas de aire debajo del motor (o anexas al motor) abiertas y libres de escombros para asegurarse del apropiado enfriamiento del motor.
4. Inspeccione que la abrazadera de válvula este apropiadamente ensamblada en el filtro. Nota: Si no esta seguro, vea las instrucciones bajo la seccion de "Instalación" de este manual.
5. Abra la válvula manual de aire en el filtro. **ALEJESE DEL FILTRO** y prenda o empiece la bomba, dandole tiempo para que funcione de primera calidad. **Nota: Instale los controles electricos (e.g., interruptor de prendido/apagado, minutero automatico, sistema de control, etc.) por lo menos cinco (5) pies de separación del filtro. Esto le dara suficiente espacio para estar lejos del filtro durante el comienzo o inicio del funcionamiento del sistema.**

6. Cierre la válvula manual de aire en el filtro cuando un estable o continuo chorro emerge o aparezca. **Nota: El Filtro de Arena de piscina es típicamente prelavado y no requiere de un lavado de reversa extenso. Sin embargo el proceso de envío puede causar excivas raspaduras que pueden requerir de un ciclo extensivo de limpieza de reversa ("Backwash") para su comienzo inicial; continúe la limpieza de reversa ("Backwash") por tres (3) minutos.**
7. Pare la bomba. Fije la válvula en la posición del filtro.
8. Asegurese que toda succión y líneas de retorno de agua de la piscina estén abiertas para que el agua libremente venga y regrese a la piscina.
9. Abra la válvula manual de aire en el filtro. **ALEJESE DEL FILTRO y prenda o empiece la bomba.**
10. Cierre la válvula manual de aire en el filtro cuando un chorro de agua continuo emerge o salga.
11. El filtro a empezado ahora su ciclo de filtración. Asegurese que el agua este regresando a la piscina y tome nota de la presión operacional o de funcionamiento cuando el filtro esta limpio.
La presión original es _____ PSI con el filtro

▲ ADVERTENCIA

Para prevenir daños al equipo y posibles lesiones, siempre apague la bomba antes de cambiar la posición de la válvula.

Mantenimiento

Cuidado apropiado y mantenimiento de la bomba y el sistema del filtro de arena le añadirá muchos años de placer a su piscina. Siga estas sugerencias para un largo y libre de problemas en el funcionamiento de su piscina.

1. Para limpiar el exterior de la bomba y el sistema del filtro de arena de polvo y basura, lávelos con agua y un detergente moderado y después rieuelos con manguera. No use solventes.
2. Si el interior del filtro requiere mantenimiento, la arena deberá ser removida quitando toda la alcantarilla y sus tuberías de la parte de abajo del filtro y rieuelos con una manguera de jardín.
3. El filtro es una basija de presión y nunca deberá darsele servicio bajo presión. Siempre disminuya la presión del tanque y abra la válvula de aire manual del filtro antes de empezar de darle servicio al filtro.

4. Cuando reanude o empiece de nuevo el filtro siempre abra la válvula manual de aire y ALEJESE DEL FILTRO.
5. El colador de canasta en la bomba debe ser inspeccionado y limpiado dos (2) veces por semana. Remueva la tapadera entera de la canasta, y limpie los escombros acumulados en la canasta. Inspeccione el o-anillo de la tapadera; si esta dañado, reemplazelo. El sello de la bomba no requiere lubricación. El motor de la bomba solamente debera darselo servicio por un centro de servicio de motores.

Limpieza

1. El filtro de una nueva piscina debera ser limpiado de reversa ("Backwash"), y limpiado despues de 48 horas de funcionamiento para limpiar basura de construccion acumulada. Hay tres (3) maneras diferentes para identificar cuando el filtro necesita limpieza de reversa ("Backwash"):
 - a) El indicador más preciso de un sistema de piscina con un medidor de corriente es una limpieza de reversa ("Backwash") y cuando la corriente baja un 30% de la corriente original (filtro limpio). Por ejemplo, si la corriente original fue de 60 GPM, el filtro debe ser limpiado de reversa ("Backwash") cuando la corriente es reducida alrededor de 20 GPM (o 30%) a 40 GPM.
 - b) Un indicador más subjetivo o menos preciso es de observar la cantidad de agua corriendo desde la direccion de la corriente colocada en la pared de la piscina. El filtro debera ser limpiado de reversa ("Backwash") una vez que se haya detectado que la corriente ha sido reducida.
 - c) El más comúnmente usado pero el menos indicador preciso de limpieza de reversa ("Backwash") es cuando la interpretación del calibrador sube 10 psi sobre la interpretación inicial (filtro limpio).
2. Es importante de no limpiar de reversa ("Backwash") el filtro unicamente en tiempos de base como cada tres (3) días. Tambien es importante hacer notar que si limpia de reversa ("Backwash") el filtro frecuentemente realmente puede causar una mediocre filtración. Factores como las condiciones del clima, fuerte lluvia, polvo y polen, y la temperatura de agua afectan la frecuencia de la limpieza de reversa ("Backwash"). Con el uso de su piscina, usted sera consciente de estas influencias.

Procedimiento de Limpieza de Reversa ("Backwash") del Filtro

ADVERTENCIA

Para evitar equipo dañado y posibles lesiones, siempre apague la bomba antes de cambiar la posición de la válvula.

1. Apague la bomba.
2. Asegurese de que las líneas de succión y de limpieza de reverso ("Backwash") estén abiertas para que el agua pase libremente de la piscina y la corriente salga por la línea de la limpieza de reverso ("Backwash"). Coloque la válvula en la posición de limpieza de reverso ("Backwash").
3. **ALEJESE DEL FILTRO** e inicie la bomba.
4. Limpie de reversa ("Backwash") el filtro por aproximadamente tres (3) minutos o hasta que el agua de la limpieza de reversa ("Backwash") salga limpia.
5. Apague la bomba y fije la válvula en la posición de enjuague ("Rinse").
6. **ALEJESE DEL FILTRO** e inicie la bomba.
7. Enjuague el filtro por aproximadamente 30 minutos.
8. Apague la bomba y fije la válvula en la posición del filtro ("Filter").
9. Asegurese que la línea de regreso de la piscina este abierta para que la corriente de agua pase liberamente desde el filtro y de regreso a la piscina.
10. Abra la válvula manual del filtro. **ALEJESE DEL FILTRO** e inicie la bomba.
11. Cierre la válvula manual del filtro cuando un estable chorro de agua salga de la válvula manual.
12. El filtro a empezado ahora el ciclo de filtracion. Asegurese de que el agua este regresando a la piscina y tome nota de la presión del filtro.
13. La presión del filtro en el paso de arriba número 12 no puede pasarse de la presión original observada al inicio del funcionamiento del filtro. Si despues de la limpieza de regreso ("Backwash"), la presión es de 4 a 6 psi o arriba de la condición inicial sera necesario de limpieza química de la cama de arena.

Limpieza Con Sustancias Quimicos

1. Se recomienda que uno de los siguientes limpiadores sean usados:
FILTER-CLEANSE™ - Advantis Technologies. Inc.
KLEEN IT® - BioLab, Inc.
Estos limpiadores eliminan aceite, sarro u óxido y corrosión de la cama de arena en un ciclo de limpieza.
2. Mezcle los ingredientes siguiendo las instrucciones del fabricante en la etiqueta.
3. Limpie de reversa ("Backwash") el filtro con la válvula como se describe arriba.
4. Si el filtro esta por debajo del nivel de la piscina, apague la bomba y cierre las válvulas apropiadamente para evitar desagüe o drenaje de la piscina.
5. Apague la bomba, abra la alcantarilla del filtro y deje que el filtro se vacie, y coloque la válvula en la posición de limpieza de reversa ("Backwash").
6. Despues de que el filtro este vacio, cierre la alcantarilla del filtro y quite la tapadera de la canasta del colador de la bomba.
7. Asegurese que la línea de la limpieza de reversa ("Backwash") este abierta.
8. Prenda la bomba y despacio eche o derrame la solucion de limpieza dentro del colador de la bomba con la bomba funcionando o trabajando. Si el filtro esta debajo del nivel de la piscina, abra la válvula de cerrar poco a poco o ligeramente para permitir que la bomba funcione.
9. Continúe añadiendo solución hasta que la cama de arena este saturada con solución de limpieza.
10. Apague la bomba y deje el filtro en la posición de limpieza de reversa ("Backwash"). Deje el filtro en esa posición durante la noche (12 horas).
11. Reemplaze la tapadera de la bomba y siga las instrucciones de la limpieza de reversa ("Backwash") como se describe en la parte de arriba.
12. No permita que la solución de limpieza entre dentro de la piscina.

Reemplazo de la tapadera de la bomba y del desviador ("Diverter")

Si la válvula de control del filtro deja de trabajar apropiadamente, usualmente este problema se corrige con sustituir la tapadera y el ensamble del desviador ("Diverter") como se describe más abajo.

1. Apague la bomba y abra la válvula manual de aire para disminuir toda la presión interna.
2. Fije la palanca de la válvula en la posición de invierno ("Winterizing").
3. Remueva o quite los seis (6) tornillos, tuercas, y el anillo de metal o roscas.
4. Levante la tapadera de la válvula y ensamble del desviador ("Diverter"). **Note: El ensamble de la válvula del desviador ("Diverter") tiene un sello empacado adjunto al desviador ("Diverter"). Cuando maneje el desviador use cautela o precaucion para evitar que la superficie del sello se dañe durante su manejo.**
5. Limpie la superficie del cuerpo sellado de la válvula con un trapo o paño de tela limpio y suave. Inspeccione la superficie por daños, raspaduras y abolladuras. Si la superficie esta dañada, la superficie o el cuerpo de la válvula tiene que ser sustituida o reemplazada.
6. Cuidadosamente lubrique el nuevo repuesto de tapadera de la válvula y el anillo (O-Ring) con un lubricante con base de silicona o con agua de jabón. NO use vaselina o un lubricante con base de petroleo.

⚠ ADVERTENCIA

Incorrecto ensamble de la válvula del tanque puede causar que la válvula se separe y cause graves lesiones y daños a la propiedad.

7. Coloque la nueva manija de la válvula en la posición de invierno ("Winterize"). Instale la nueva tapadera de válvula y ensamble el desviador ("Diverter"). Asegurese de que el pequeño nicho o hueco en la tapadera y el pequeño bulto en el cuerpo de la válvula esten alineados. Instale todos los seis (6) tornillos con sus anillos de metal de reserva debajo de la cabeza de los tornillos. Instale las tuercas en cada uno de los tornillos y apriete los con sus dedos en todos los seis (6) tornillos. Los tornillos deben de ser apretados progresivamente y apretados diametralmente opuestos y siguiendo un patron o un diseño cruzado. Apriete y ajuste todos los seis (6) tornillos colocados en la tapadera de la válvula. **NO LOS SOBREPRIETE.**

Sistema de Invierno ("Winterizing")

⚠ PRECAUCIÓN

Permitir o dejar que el agua se convierta en hielo adentro del sistema, dañara el sistema y puede causar daños de agua/ inundación y posible daños a la propiedad.

1. En áreas donde las temperaturas llegan a un punto de congelación durante el invierno, proteja el equipo de la piscina con una limpieza de reverso ("Backwash") del filtro.
2. Después de la limpieza de reverso ("Backwash"), apague la bomba, abra la válvula de aire manual y mueva la manivela o palanca en la posición para el invierno ("Winterize").
3. Remueva la tapadera de la alcantarilla o drenaje debajo del filtro. El filtro se escurra o desagüe muy despacio. Durante la temporada del cierre de la piscina, se recomienda dejar el drenaje desconectado.

⚠ PRECAUCIÓN

Durante la temporada de cierre la válvula de control debe dejarse en la posición de invierno ("Winterize") para que el sello de goma del desviador ("Diverter") de la válvula no tenga ninguna presión. Negligencia de hacer esto puede dañar la válvula del desviador ("Diverter") y puede causar daños a la propiedad como una gotera.

4. Saque toda el agua del sistema de la caja y la tubería cuando usted anticipa temperaturas de congelamiento. Quite las dos conexiones de drenaje de la bomba para dejar que la bomba se escurra o desagüe completamente.
5. Si es posible, quite la bomba y pongala o coloquela adentro de un lugar limpio y seco.
6. Para una locacion afuera y desprotegida es mejor que proteja el equipo con un encierre a prueba del tiempo.
7. Es recomendable de cubrir el equipo con una lona alquitranada o una lona de plástico para impedir deterioro por el medio ambiente. **NO ENVUELVA EL MOTOR DE LA BOMBA CON PLASTICO**, esto causara que se forme condensación adentro del motor.
8. En instalaciones donde la bomba no puede ser vaciada un 40% Propylene Glycol 60% water solution (solucion de agua) protegera hasta -50° F (-45.5° C). **Nota: No use soluciones "anti-freeze" excepto Propylene Glycol; porque otros "anti-freeze" son muy toxicos y van a dañar la bomba.**

Sección 4

Guía para la identificación de problemas

PROBLEMA	CAUSA	SOLUCION
El agua de la piscina no está lo suficientemente limpia.	<ol style="list-style-type: none"> 1. La química de la piscina no es adecuada para inhibir o impedir el crecimiento de algas. 2. Limpieza de reversa ("Backwash") muy frecuente. 3. Incorrecta cantidad de arena o tamaño equivocado. 4. Giro de velocidad inadecuado del ciclo del agua de la piscina. 	<p>Darle mantenimiento a la piscina con sustancias químicas o consulte a un técnico de servicio.</p> <p>Permita que la presión se acumule a 10 psi sobre la condición del filtro limpio antes de hacer una limpieza de reversa ("Backwash").</p> <p>Inspeccione la profundidad de la cama de arena y el tamaño de la arena o consulte con el técnico de servicio de la piscina.</p> <p>Haga funcionar el sistema por un tiempo más largo o consulte con el distribuidor o con el técnico de servicio de la piscina.</p> <p>Haga o realice una limpieza de reversa ("Backwash") hasta que el chorro de agua salga transparente.</p> <p>Limpie el filtro con sustancias químicas.</p>
Alta presión del filtro.	<ol style="list-style-type: none"> 1. Insuficiente Limpieza de reversa ("Backwash"). 2. La cama de arena tapada con depósitos minerales. 3. Válvula parcialmente cerrada o restringida. 	<p>Abra la válvula o remuera la obstrucción en la tubería de retorno.</p> <p>Lave por corriente hasta que el chorro de agua salga transparente.</p>
Ciclos cortos del filtro.	<ol style="list-style-type: none"> 1. Incorrecta Limpieza de reversa ("Backwashing"). 2. La química de la piscina no es adecuada para inhibir o impedir el crecimiento de algas. 3. La cama de arena esta tapada o atascada. 4. La velocidad de la corriente es demasiado alta. 	<p>Darle mantenimiento a la piscina con sustancias químicas o consulte con el técnico de servicio de la piscina.</p> <p>Manualmente quite una 1 in. de la superficie superior de la cama de arena y haga una limpieza de sustancias químicas según sea necesario.</p> <p>Restrinja o limita la corriente de la capacidad del filtro.</p>
La corriente de regreso a la piscina disminuida, baja presión del filtro.	<ol style="list-style-type: none"> 1. Obstrucción en el colador de la bomba de pelusa y cabello. 2. Obstrucción de la bomba. 3. Obstrucción en la tubería de succión a la bomba. 	<p>Limpie el canasto en el colador.</p> <p>Desmunte o desarme y limpie la bomba.</p> <p>Limpie la canasta de la espumadora ("Skimmer"). Remueva la obstrucción en las tuberías.</p> <p>Abra las válvulas en la tubería de succión.</p>
Arena de regreso a la piscina.	<ol style="list-style-type: none"> 1. Lateral debajo del drenaje quebrado. 2. Velocidad de limpieza de reverso ("Backwash") demasiado alta. 	<p>Reponga o sustituya el lateral dañado o roto.</p> <p>Reduzca la velocidad de la corriente de limpieza de reversa ("Backwash").</p>

Sección 5

Información técnica y partes de Repuesto

Nota

Por favor mire la información técnica y lista de partes de replazo específicamente para su filtro.

Notas

Notas



P/N 152007 Rev A