



# OPTIFLO<sup>®</sup>

## ABOVEGROUND POOL PUMP



# INSTALLATION AND USER'S GUIDE


IMPORTANT SAFETY INSTRUCTIONS  
*READ AND FOLLOW ALL INSTRUCTIONS*  
SAVE THESE INSTRUCTIONS

## Table of Contents

SECTION I.	HOW YOUR PUMP WORKS .....	3
SECTION II.	INSTALLATION .....	3-6
SECTION III.	PUMP OPERATION AND MAINTENANCE .....	6
SECTION IV.	SEAL REPLACEMENT PROCEDURE .....	6-7
SECTION V.	WINTERIZING PROCEDURE .....	7
SECTION VI.	TROUBLESHOOTING GUIDE .....	8
SECTION VII.	TECHNICAL DATA .....	9-12



 <b>WARNING</b>
To reduce the risk of injury, do not permit children to use this product unless they are closely supervised at all times.

 <b>WARNING</b>
Before installing this product, read and follow all warning notices and instructions accompanying this pump. Failure to follow safety warnings and instructions can result in severe injury, death, or property damage. Call (800) 831-7133 for additional free copies of these instructions.

<b>Important Notice</b>	
	<p><b>Attention Installer.</b></p> <p>This manual contains important information about the installation, operation and safe use of this product. This information should be given to the owner/operator of this equipment.</p>

### PUMP SAFETY INSTRUCTIONS

When installing and using this electrical equipment, basic safety precautions should always be followed, including the following:

 <b>WARNING</b>	
	<p style="text-align: center;"><b>RISK OF ELECTRICAL SHOCK OR ELECTROCUTION</b></p> <p>This pool pump must be installed by a licensed or certified electrician or a qualified pool serviceman in accordance with the National Electrical Code and all applicable local codes and ordinances. Improper installation will create an electrical hazard which could result in death or serious injury to pool users, installers, or others due to electrical shock, and may also cause damage to property.</p> <p>Always disconnect power to the pool pump at the circuit breaker before servicing the pump. Failure to do so could result in death or serious injury to serviceman, pool users or others due to electric shock.</p>

 <b>WARNING</b>	
Risk of Electrical Shock. Connect only to a grounding type receptacle protected by a ground-fault circuit-interrupter (GFCI). Contact a qualified electrician if you cannot verify that the receptacle is protected by a GFCI.	

 <b>WARNING</b>	
Do not bury the electrical cord. Locate the cord to minimize the abuse from lawn mowers, hedge trimmers, and other equipment.	

 <b>WARNING</b>	
To reduce the risk of electrical shock, replace damaged cord immediately.	

## **WARNING**

To reduce the risk of electrical shock, do not use an extension cord to connect unit to electric supply; provide a properly located outlet.

## **WARNING**

For continued protection against possible electrical shock, this unit is to be mounted to the base in accordance with the installation instructions.

## **Important Notice**

This pump operates with electrical voltage, and can generate both vacuum and pressure in the water system. When properly wired and plumbed, this pump will operate in a safe manner.

## **CAUTION**

This pump is for use with permanently installed pools and may also be used with hot tubs and spas. Do not use with storable pools unless pump is protected by factory installed double insulated enclosure. A permanently installed pool is constructed in or on the ground or in a building such that it cannot be readily disassembled for storage. A storable pool is constructed so that it may be readily disassembled for storage and reassembled to its original integrity and has a maximum dimension of 18 feet and a maximum wall height of 42 inches.

### **READ AND FOLLOW ALL SAFETY INSTRUCTIONS**

## **SECTION I. HOW YOUR PUMP WORKS**

Your centrifugal pump is designed to operate for years with proper maintenance. The pump housing, seal plate, hair and lint pot and impeller are made from high quality thermoplastic materials. These materials have been selected for their corrosion resistance nature. When installed, operated and maintained in accordance with these instructions, your pump will provide years of service.

Your centrifugal pump is driven by an electric motor. The motor is directly attached to the pump impeller. As the electric motor turns it causes the impeller to turn and this causes the water to flow. The water flows into the hair and lint pot inlet and through the basket assembly to pre-strain large particles. The flow then enters the center of the pump housing. If the pump does not contain the hair and lint pot assembly, the flow simply enters the center of the pump housing. The flow goes through the impeller and out the pump discharge port.

### **2-Speed Pump Models:**

The performance of this pump will be the same at high speed as the same model single speed pump, hydraulically. At low speed the pump will produce one half the flow and 1/4 the pressure of high speed. However, the pressure required by the filter and pool plumbing at half flow will also be greatly reduced due to much lower system friction. These lower friction losses result in good energy savings. At one half flow (low speed) the electrical energy savings are 60% for equal amounts of circulated water.

Turn the motor to low speed for quiet operation and electrical cost savings. Since the pump should be operated mostly at low speed for cost savings, minor adjustments may be required in the automatic chlorine dispenser, the skimmers and the heater due to the lower flow. (See the equipment manufacturer's operation manuals.)

Pool owners should use high speed for vacuuming the pool, quick filtering action, priming the system, and to keep up with heavy bathing loads.

## **SECTION II. INSTALLATION**

1. Check carton for any evidence of damage due to rough handling in shipment. If carton or any pump components are damaged, notify freight carrier immediately.
2. After inspection, carefully remove pump from carton.
3. The pump should be secured to a flat solid foundation, high enough to prevent flooding of the motor. A sheltered location is best, being sure to allow for adequate ventilation.

4. Provide space and lighting for routine maintenance access. Do not mount electrical controls directly over pump.
5. The pump should be installed as near to the pool or spa as practical. Avoid installing the pump **above the water level**. Suction lifts of more than 1/2 foot will cause very long priming times, and potentially damage the pump.
6. The location should provide for adequate floor drainage to prevent flooding.
7. When installing your pump, remember to provide valves or other means to disconnect the pump suction and discharge for servicing.
8. Never store pool chemicals within 10 ft. of your pool filter and pump. Pool chemicals are corrosive and should always be stored in a cool, dry, well ventilated area.

 **WARNING**

**Chemical fumes and/or spills can cause severe corrosive attack to the filter and pump structural components. Structurally weakened filter or pump components can cause filter, pump or valve attachments to separate and could cause severe bodily injury or property damage.**

9. Assemble piping and pipe fittings to pump and valve. All piping must conform to local and state plumbing and sanitary codes.
10. Use threaded seal tape or pipe sealants on all male connections of pipe and fittings. Use only pipe sealant compounds suited for plastic pipe. Support pipe to prevent strains on filter, pump or valve. **DO NOT USE PETROLEUM BASED PRODUCTS.**
11. Avoid over tightening the pipe threads when connecting fittings to the pump. Proper procedure is to apply a pipe sealant to the thread and then install hand tight plus 1 1/2 turns. **DO NOT OVER TIGHTEN.**
12. Long piping runs and elbows restrict flow. For best efficiency use the fewest possible fittings, large diameter pipe (at least 1 1/2") & locate equipment as close to the pool as possible. The pump suction line should not be smaller than the pipe size on the inlet of the pump.
13. It is essential that the suction line be free of air leaks and air traps.

 **WARNING**

**Blockage of suction fittings can cause severe or fatal injury due to drowning. Do not permit children to use pool/spa equipment.**

14. Suction fittings must conform to ASME/ANSI A 112.19.8 M Standards. Use double suction fittings.
15. The maximum operating pressure of this unit is 25 pounds per square inch. Never operate this pump above this pressure.

This pump is not intended to be operated in series with other pumps.

 **WARNING**

**To reduce the risk of injury, do not permit children to use this product.**

16. Wiring of this pump should be performed by a licensed electrician in accordance with the National Electrical Code or your local electrical code.

 **WARNING**

**Never work on pump while it is running or power is still connected; hazardous voltage can cause severe or fatal injury. A suitable ground fault interrupter should always be installed at the power supply source of this unit.**

17. The pump motor must be wired for the proper voltage in accordance with the wiring diagram supplied with the motor. Wiring the motor with the incorrect supply voltage will cause damage to the motor and void the warranty.
18. The wiring to the motor should be kept as short as possible and large enough NOT to cause an excessive voltage drop. Use the wire size table as a guide in selecting minimum conductor size.

RECOMMENDED CIRCUIT BREAKER AND WIRING DATA					
MOTOR HP	BRANCH CIRCUIT	VOLTS Hz/PHASE	DIST. IN FT. OF BRANCH CIRCUIT		MIN. SERVICE WIRE SIZE TO MOTOR
			0-50 FT.	50-100 FT.	
3/4	15 A	115/60/1	#14	#14	
1	15 A	115/60/1	#12	#12	
1-1/2	20 A	115/60/1	#12	#10	
1-1/2	15 A	230/60/1	#14	#14	

19. Install, ground and bond wire according to local or National Electrical Code requirements.

#### GROUNDING

20. Permanently ground motor. Use green terminal provided under motor canopy or access plate; use size and type wire required by code. Connect motor ground terminal to electrical service ground. On cord connected circuits, check for proper grounding.

#### BONDING - (for permanently wired pumps)

21. The National Electrical Code requires that the motor be electrically bonded to appropriate permanently installed pool or spa/hot tub structure by a solid copper conductor no smaller than No. 8 AWG. Bonding wire should be connected from the accessible wire connector on the motor shell to all metal parts of the swimming pool, spa or hot tub structure and to all electrical equipment, metal conduit and metal piping within 5 feet of the inside walls of a swimming pool, spa or hot tub. A grounding lug is provided on the exterior of the motor shell for this purpose.

### WARNING

(For cord and plug-connected units) Do not bury cord. Locate cord to minimize abuse from lawn mowers, hedge trimmers and other equipment.

### WARNING

(For cord and plug-connected units) To reduce the risk of electric shock, replaced damaged cord immediately.

### WARNING

(For cord and plug-connected units) To reduce the risk of electric shock, do not use extension cord to connect unit to electric supply; provide a properly located outlet.

### CAUTION

Do not install within an outer enclosure or beneath the skirt of a hot tub or spa unless so marked.

## INITIAL START-UP

1. Relieve all system pressure and open all air bleeders on total hydraulic system prior to starting the pump. See filter owner's manual.
2. Ensure that all fittings, clamps, closures and couplings are tight and in accordance with equipment manufacturer's recommendations.
3. Open suction and discharge valving to allow free flow of water. On flooded suction pumps with strainer pot the water source is higher than the pump. The water will flow into the pump strainer pot and the pot will fill with water. On pumps without strainer pot the water will fill the pump housing.
4. On non-flooded suction systems the pot lid clamp will have to be removed by rotating the lid counter-clockwise to a stop and lifting the clamp.
5. The pump strainer pot should be filled with water up to suction opening on the pump.
6. It is good practice to lubricate the lid o-ring with silicone lubricant each time the lid is removed. The o-ring should be cleaned and inspected every time the strainer pot is opened.
7. The lid should be replaced on the pot by aligning the clamp ears with the slots on the strainer pot. Press the lid and clamp down and twist the clamp clockwise to engage.
8. The pump is now ready to prime. Turn the motor on and the pump will prime. The time to prime will depend on the suction lift and the distance and size of suction piping. Turn off power if the pump does not prime within five minutes and refer to the Troubleshooting Guide section of this manual.

### CAUTION

**DO NOT run the pump dry. Continued operation in this manner could cause a loss of pressure, resulting in damage to the pump case, impeller and seal, and may cause property damage or personal injury.**

## SECTION III. PUMPOPERATION AND MAINTENANCE

### **WARNING**

**DO NOT open the strainer pot if pump fails to prime or if pump has been operating without water in the strainer pot. Pumps operated in these circumstances may experience a build up of vapor pressure and may contain scalding hot water. Opening the pump may cause serious personal injury. In order to avoid the possibility of personal injury, make sure the suction and discharge valves are open and strainer pot temperature is cool to touch, then open with extreme caution.**

The strainer basket in the pump should be inspected and cleaned twice each week. Remove the clear lid and the basket, and clean debris from basket. Inspect the lid o-ring; if damaged, replace. The pump seal requires no lubrication. Refer to motor service centers for motor servicing.

## SECTION IV. DISASSEMBLY/ASSEMBLY PROCEDURE FOR SEAL REPLACEMENT

### **WARNING**

**Never work on pump while it is running or power is still connected. Hazardous voltage can cause severe or fatal injury.**

1. Stop pump and relieve system pressure.
2. Disconnect motor power at Circuit Breaker.

3. Close suction and discharge valves.
4. Use extreme care when handling the mechanical seal. The mating seal surfaces are polished and are easily damaged.
5. The mechanical seal can be changed without disconnecting piping by removing 4 bolts (see item 14 on page 9) and pulling the motor with pump seal plate and impeller assembly away from front pump housing body.
6. Remove impeller and rotating portion of seal by holding motor shaft and rotating the impeller counter-clockwise when facing the shaft extension on the motor.
7. The rotating portion of the seal can now be removed from the impeller. Clean the impeller hub and lubricate with soapy water. Wipe off shining carbon sealing surface of new mechanical seal with a clean tissue to remove oily fingerprints or other foreign materials. The new rotating seal can be pressed back onto the impeller.
8. To remove the stationary ceramic seal seat, first loosen the four motor bolts which run through the entire length of the motor into the seal plate. Remove the seal plate from the motor. Press the ceramic seat and rubber gasket out of the seal plate.
9. Clean the seal plate seal area and lubricate with soapy water. Press the new ceramic seal and gasket into the seal plate, being sure it is fully seated. Wipe off the ceramic sealing surface with a clean tissue to remove oily fingerprints or foreign substances.
10. Place the seal plate on the motor and carefully align the four motor through bolts. Secure the seal plate onto the motor being careful not to overtighten the bolts. Gradually bring bolts up to final tightness by moving across in a criss-cross pattern.
11. Check the position of the mechanical seal set in the seal plate and ensure the motor shaft is in the center of the seal set.
12. Screw the impeller with new rotating seal onto the motor shaft. Rotate the motor shaft to make sure the impeller is not touching the seal plate.
13. Clean the seal plate "O" Ring and check to make sure it is in position. Replace the motor and seal plate on the front pump housing body and bolt into position with 4 bolts. Gradually bring bolts up to final tightness by moving across in a criss-cross pattern.
14. Refer to initial start-up procedures to restart the pump.

## SECTION V. WINTERIZING PROCEDURE

---

### NOTICE

**Allowing the water to freeze in pump will damage the pump and cause potential water damage/flooding and potential property damage.**

---

1. Drain all water from pump housing and piping when freezing temperatures are expected. A drain plug is provided to drain the pump. If the pump has a strainer pot both the strainer drain plug and the housing drain plug should be removed. If pump has no strainer pot then only remove the housing plug.
2. If the pump can be removed and placed in an inside dry location this should be done.
3. For an outdoor unprotected location it is best to protect the equipment in a weatherproof enclosure.
4. Do not wrap the motor with plastic because condensation could form inside the motor.
5. In installations where the pump cannot be drained a 40% propylene glycol 60% water solution will protect to -50° F.

---

### NOTICE

**Do not use anti-freeze solutions except propylene glycol, as other anti-freeze is highly toxic and will damage the pump.**

---

## SECTION VI. TROUBLESHOOTING GUIDE

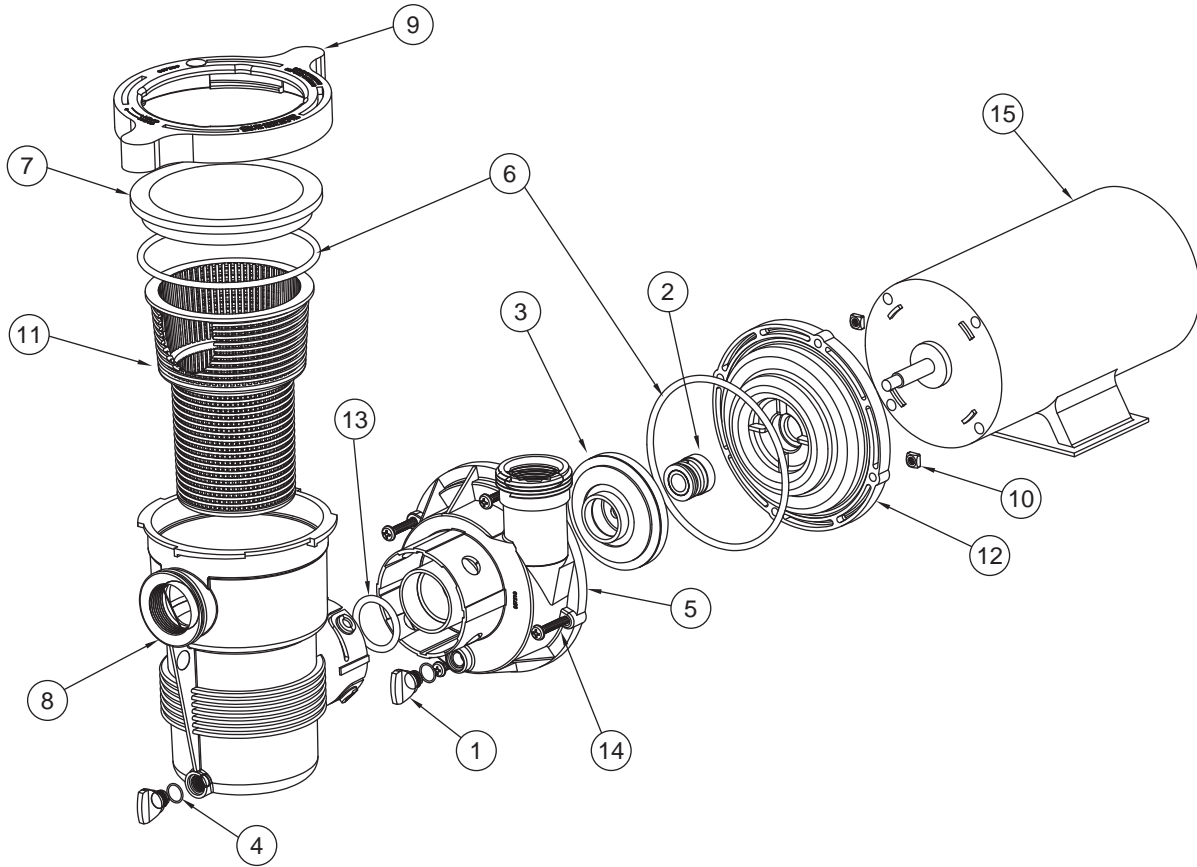
The following are some common causes of problems that may arise.

PROBLEM	CAUSE	REMEDY
Pump will not prime.	No water in strainer pot.	Add water to pot.
	Strainer pot lid is not tight.	Tighten lid.
	Damaged lid o-ring.	Replace o-ring.
	Water level is below skimmer.	Adjust pool water level.
	Strainer basket or skimmer basket is clogged.	Clear basket.
	Closed valve in piping system.	Check all valves and open all necessary valves.
	Pump is on low speed (two-speed units only).	Adjust to high speed.
	Air leak in suction line.	Find and fix leak.
Low flow — high filter pressure.	Water level is too low and the pump cannot lift.	Adjust pump level and insure it is below water level.
	Filter is dirty.	Clean filter.
Low flow — low filter pressure.	Restriction in return line.	Open return line restriction.
	Strainer basket or skimmer basket clogged.	Clean basket.
	Clogged impeller.	Clean obstruction.
	Air leak in suction line.	Find and fix leak.
Motor does not turn.	Restriction in suction line.	Find and open restriction.
	Power switch is off.	Check power switch and reset.
	Circuit breaker has tripped.	Check circuit breaker and reset; if retrips contact electrician.
	Pump is in off-mode of a timer controlled circuit.	Check timer mode.
	Motor terminal connections are incorrect.	Have terminal connections checked by electrician.
Motor over-heating.	Motor shaft is locked by bad bearing.	Have motor bearings replaced or replace pump.
	Electrical supply connections are incorrect.	Have terminal connections checked by electrician.
	Wiring to pump is undersized.	Consult electrician to rewire pump.
	Power Company supply voltage is low.	Notify Power Company.
	Ventilation is inadequate for motor.	Remove any restrictions to air flow.



## SECTION VII. TECHNICAL DATA

### REPLACEMENT PARTS



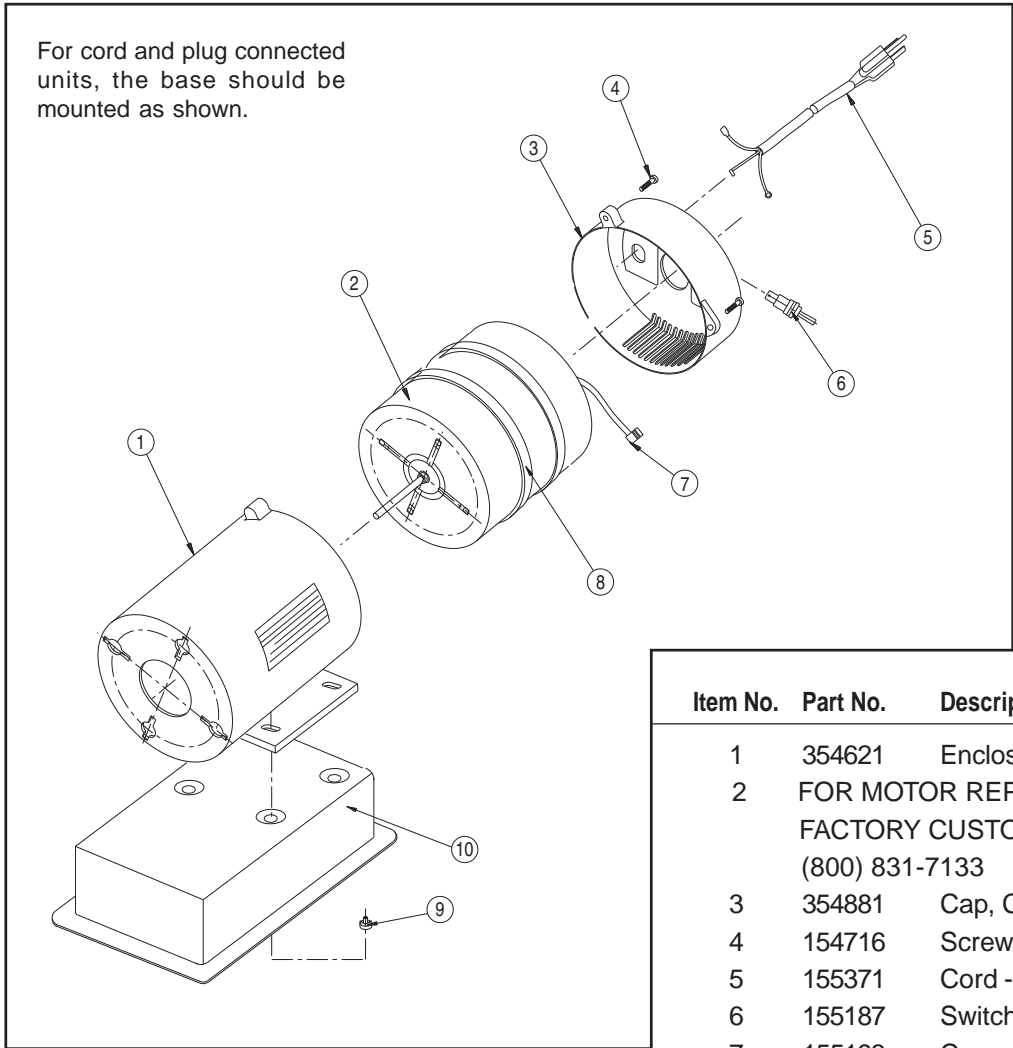
Item No.	Part No.	Description
1	357161	Drain Plug, 3 req.
2	354545	Mechanical Seal
3	354552	Impeller – 3/4 hp, 1 hp SPL
3	350017	Impeller – 1 hp, 1.5 hp SPL
3	350018	Impeller – 1.5 hp
4	192115	O-ring, 3 req.
5	357213	Volute Assembly
6	357255	O-ring 2-357, 2 req.
7	357227	Lid
8	357228	Pot Assembly
9	357239	Clamp Ram & Cam
10	357254	1/4-20 Square Nut, 4 req.
11	355667	Basket
12	357215	Seal Plate
13	350103	O-ring
14	98209000	1/4-20 x 1.5 Machine Screw, 4 req.

**FOR MOTOR REPLACEMENT  
CONSULT FACTORY CUSTOMER  
SERVICE (800) 831-7133**

#### NOT SHOWN

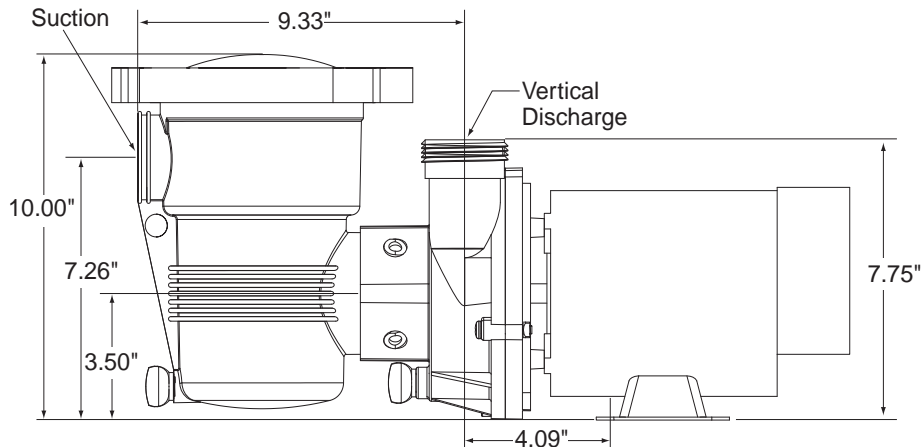
79137800 Cord – 3 Ft. long, Standard 15 Amp Plug  
155234 Cord – 3 Ft. long, Twist Lock 15 Amp Plug

**REPLACEMENT PARTS (BASE MOUNTED UNITS)**

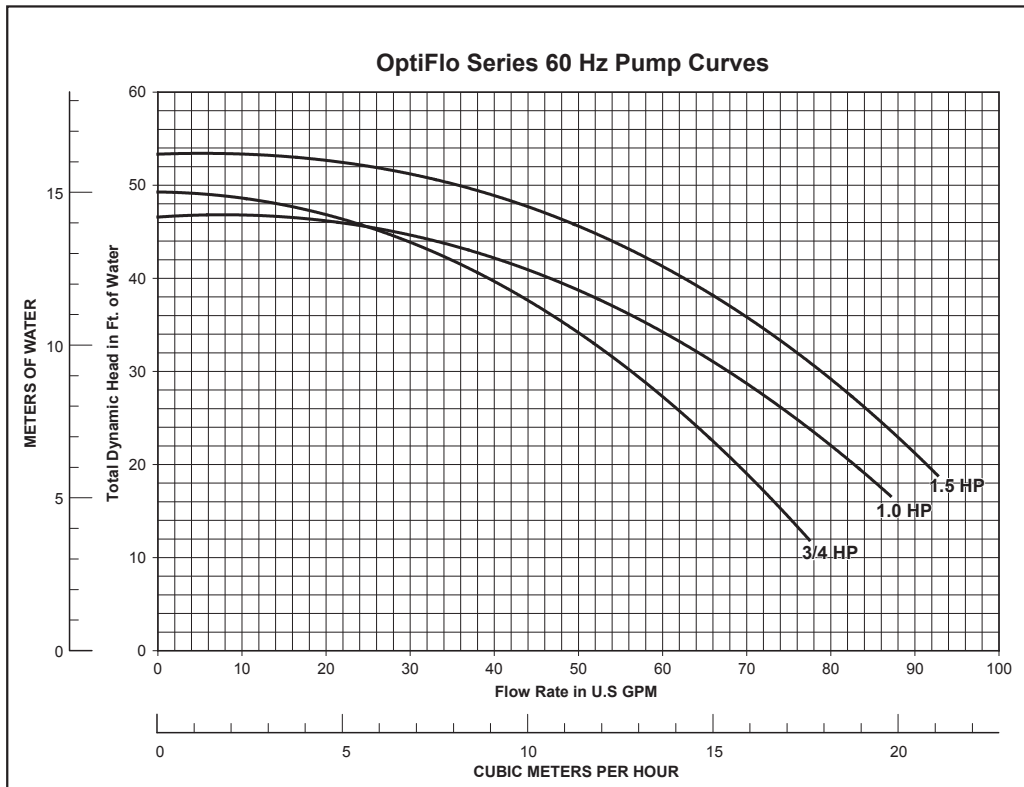
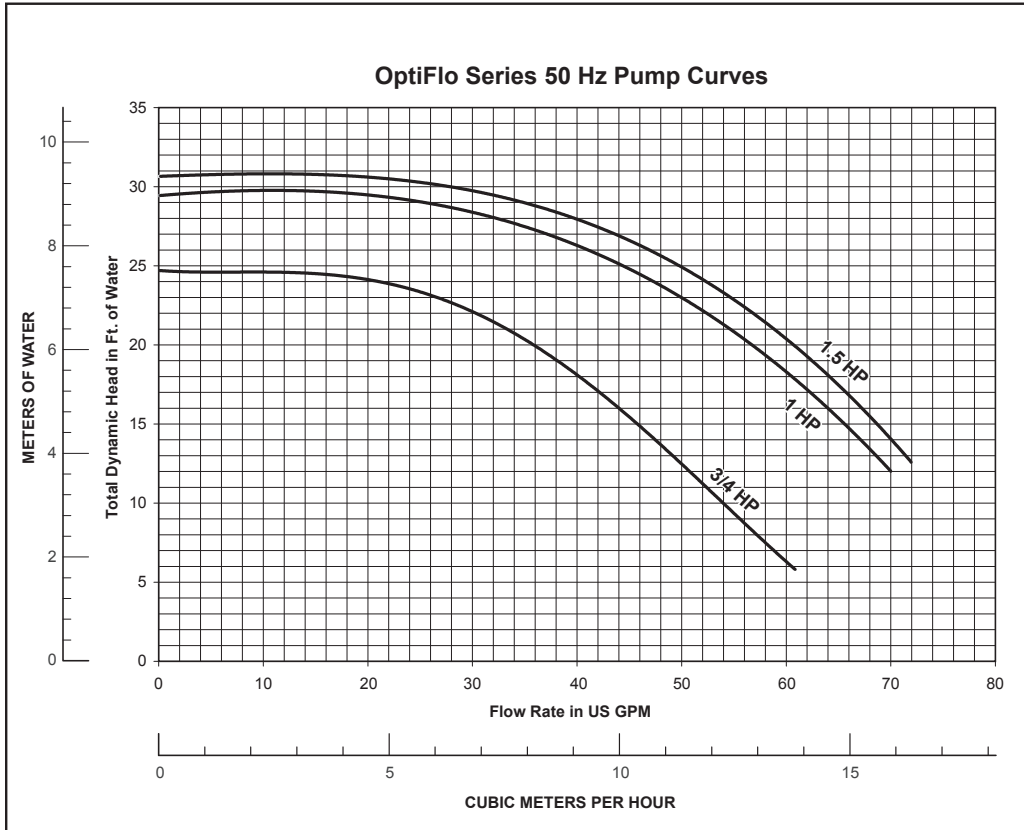


Item No.	Part No.	Description
1	354621	Enclosure Housing
2	FOR MOTOR REPLACEMENT CONSULT FACTORY CUSTOMER SERVICE (800) 831-7133	
3	354881	Cap, CSA Mtr. Enclsr. w/3 Screws
4	154716	Screw - Self Tapping HH #10, 3 req.
5	155371	Cord - 25 ft. 16 Ga. Power Supply
6	155187	Switch Toggle Double Insulated
7	155193	Conn. #16 Switch
8	354658	Insulated Foam w/Adhsve. Back
9	155109	Nut - T4 Prong
10	153263	Base CSA 4 in. High

**DIMENSIONAL DATA**



OptiFlo® Aboveground Pool Pump Curves





1620 HAWKINS AVE., SANFORD, NC 27330 • (919) 566-8000  
10951 WEST LOS ANGELES AVE., MOORPARK, CA 93021 • (805) 553-5000  
WWW.PENTAIRPOOL.COM

All Pentair trademarks and logos are owned by Pentair, Inc. Pentair Aquatic Systems™ and OptiFlo® are trademarks and/or registered trademarks of Pentair Water Pool and Spa, Inc. and/or its affiliated companies in the United States and/ or other countries. Unless expressly noted, names and brands of third parties that may be used in this document are not used to indicate an affiliation or endorsement between the owners of these names and brands and Pentair Water Pool and Spa, Inc. Those names and brands may be the trademarks or registered trademarks of those third parties. Because we are continuously improving our products and services, Pentair reserves the right to change specifications without prior notice. Pentair is an equal opportunity employer.

© 2012 Pentair Aquatic Systems. All rights reserved. This document is subject to change without notice.



P/N 152012 REV. B 9/24/12



# OPTIFLO®

## BOMBAS PARA PISCINAS ELEVADAS



# GUÍA DE INSTALACIÓN Y DEL USUARIO

INSTRUCCIONES IMPORTANTES DE SEGURIDAD  
*LEA Y SIGA TODAS LAS INSTRUCCIONES*  
GUARDE ESTAS INSTRUCCIONES

## Tabla de Contenido

SECCIÓN I	CÓMO SU BOMBA TRABAJA .....	3
SECCIÓN II.	INSTALACIÓN .....	3-6
SECCIÓN III.	FUNCIONAMIENTO DE LA BOMBA Y MANTENIMIENTO .....	6
SECCIÓN IV.	PROCEDIMIENTO DEL REEMPLAZO DEL SELLO .....	6-7
SECCIÓN V.	PROCEDIMIENTO PARA ACONDICIONAMIENTO PARA EL INVIERNO .....	7
SECCIÓN VI.	GUÍA DE LOCALIZACIÓN Y SOLUCIÓN DE PROBLEMAS .....	8
SECCIÓN VII.	DATOS TÉCNICOS .....	9-12

### **AVISO**

Para reducir el riesgo de lesión, no permita que los niños utilicen este producto a menos que sean supervisados de cerca en todo momento.

### **AVISO**

Antes de instalar este producto, lea y siga todos los avisos e instrucciones que acompañan esta bomba. El dejar de leer y seguir los siguientes avisos e instrucciones podría resultar en lesión severa, muerte o daños a la propiedad. Llame al (800) 831-7133 para obtener gratuitamente copias adicionales de estas instrucciones.

## Notificación Importante



Atención Instalador:

Este manual contiene importantes instrucciones sobre la instalación, funcionamiento y uso seguro de este producto. Esta información debe ser suministrada al propietario / operador de este equipo.

## INSTRUCCIONES DE SEGURIDAD DE LA BOMBA

Siempre se deben seguir las precauciones básicas de seguridad cuando se instale y utilice este equipo eléctrico, incluyendo lo siguiente:

### **AVISO**

#### **RIESGO DE DESCARGA ELÉCTRICA O ELECTROCUCIÓN**

Esta bomba de piscina debe ser instalada por un técnico electricista o un electricista certificado o un técnico de piscinas calificado conforme al Código Eléctrico Nacional y todos los códigos y ordenanzas locales aplicables. Una instalación incorrecta creará un peligro eléctrico que podría resultar en la muerte o lesión grave para los usuarios de la piscina, instaladores, u otros debido a descarga eléctrica, y también podría causar daños a la propiedad. Siempre desconecte la alimentación eléctrica a la bomba de la piscina en el cortacircuitos antes de darle servicio a la bomba. Dejar de hacerlo podría resultar en la muerte o lesión grave del técnico, usuarios de la piscina u otros debido a descarga eléctrica.

### **AVISO**

Riesgo de Descarga Eléctrica. Conéctese solamente a un receptáculo con descarga a tierra protegido por un interruptor del circuito de fallos de conexión a tierra (GFCI, por sus siglas en inglés). Comuníquese con un electricista calificado si usted no puede verificar si el receptáculo está protegido por un GFCI.

### **AVISO**

No entierre el cable eléctrico. Ubique el cable para minimizar daños causados por cortadoras de césped, podadoras de setos, y otros equipos.

### **AVISO**

Para reducir el riesgo de descarga eléctrica, reemplace inmediatamente el cable dañado.

## AVISO

Para reducir el riesgo de descarga eléctrica, no utilice una extensión de cable para conectar la unidad al suministro eléctrico, provea una toma apropiadamente localizada.

## AVISO

Para la protección continua contra la descarga eléctrica, esta unidad tiene que ser montada a la base conforme a las instrucciones de instalación.

## Notificación Importante

Esta bomba funciona con voltaje eléctrico y puede generar vacío y presión en el sistema del agua. Cuando la instalación eléctrica y el sistema de tubería son hechos correctamente, esta bomba funcionará de una manera segura.

## PRECAUCIÓN

Esta bomba es para uso con piscinas permanentemente instaladas y también puede ser utilizada con jacuzzis y spas. No la utilice con piscinas que se pueden almacenar a menos que la bomba esté protegida por una carcasa de doble aislamiento instalada en la fábrica. Una piscina permanentemente instalada está construida en o sobre el suelo o en un edificio de forma tal que no puede ser desmantelada fácilmente para almacenaje. Una piscina que se puede almacenar está construida con el propósito de que pueda ser desmantelada fácilmente para almacenaje y reensamblada a su integridad original y tiene una dimensión máxima de 5.49 metros y un máximo de altura de pared de 106.68 centímetros.

### LEA Y SIGA TODAS LAS INSTRUCCIONES DE SEGURIDAD

#### SECCIÓN I. CÓMO SU BOMBA TRABAJA

Su bomba centrífuga está diseñada para funcionar por muchos años con el mantenimiento apropiado. La carcasa de la bomba, la placa de sellado, el recipiente de pelos y pelusa, y el impulsor están hechos de materiales termoplásticos de alta calidad. Estos materiales han sido seleccionados por su naturaleza de resistencia a la corrosión. Cuando su bomba es instalada, operada y mantenida de acuerdo a estas instrucciones, le proporcionará años de servicio.

Su bomba centrífuga es movida por un motor eléctrico. El motor está directamente conectado al impulsor de la bomba. A medida que el motor eléctrico gira hace que el impulsor gire y esto hace que el agua fluya. El agua fluye hacia la entrada del recipiente de pelos y pelusa y a través del ensamblaje de la canasta para prefiltrar las partículas grandes. Luego el flujo de agua entra al centro de la carcasa de la bomba. Si la bomba no incluye el ensamblaje del recipiente de pelos y pelusa, el flujo de agua simplemente entra al centro de la carcasa de la bomba. El flujo de agua va a través del impulsor y sale hacia afuera a través del puerto de descarga de la bomba.

#### Modelos de Bombas de 2 Velocidades:

El desempeño hidráulico de esta bomba será el mismo a velocidad alta como el mismo modelo de la bomba de una sola velocidad. A velocidad baja la bomba producirá la mitad del flujo y 1/4 de la presión de la velocidad alta. Sin embargo, la presión requerida por el filtro y la tubería de la piscina a medio flujo también será reducida en gran medida debido a una fricción más baja en el sistema. Estas pérdidas de fricción más bajas resultaran en GRANDES ahorros de energía. A medio flujo (velocidad baja) los ahorros de energía eléctrica son 60% para cantidades equivalentes de agua circulada.

Coloque el motor a velocidad baja para una operación silenciosa y ahorros en el coste eléctrico. Debido a que la bomba debe ser operada mayormente a velocidad baja para ahorros de coste, ajustes menores podrían ser requeridos en el dispensador automático de cloro, los skimmers y el calentador debido al bajo flujo de agua. (Ver los manuales de operación de los fabricantes.)

Los propietarios de piscina deben usar velocidad alta para pasar la aspiradora por la piscina, acción rápida de filtración, cebar el sistema, y para cuando el uso de la piscina sea pesado.

#### SECCIÓN II. INSTALACIÓN

1. Verifique la caja de cartón para evidencia de daños debido a manejo brusco durante el envío. Si la caja de cartón o cualquier componente de la bomba han sufrido daño, notifíquesele inmediatamente al acarreador.
2. Después de la inspección, remueva cuidadosamente la bomba de la caja de cartón.
3. La bomba debe estar asegurada a una base plana sólida, lo suficientemente alta para prevenir inundación del motor. Una ubicación protegida es mejor, pero hay que asegurarse de permitir la ventilación adecuada.

4. Proporcione espacio y alumbrado para el acceso durante el mantenimiento de rutina. No instale controles eléctricos directamente sobre la bomba.
5. La bomba debe ser instalada tan cerca como sea práctico a la piscina o al spa. Evite instalar la bomba **sobre el nivel del agua**. Elevaciones de succión de más de ½ pie causarán períodos largos de cebado, y potencialmente dañarán la bomba.
6. La ubicación debe proporcionar desagüe adecuado del suelo para prevenir inundación.
7. Cuando esté instalando su bomba, recuerde proveer válvulas u otros medios para desconectar la succión de la bomba y descargarla para poder brindarle servicio.
8. Nunca almacene químicos de piscinas dentro de un área de 3.05 metros del filtro y la bomba de su piscina. Los químicos de piscina son corrosivos y siempre deben ser guardados en un lugar fresco, seco y bien ventilado.

 **AVISO**

Las emanaciones químicas y/o derrames pueden causar ataques corrosivos severos a los componentes estructurales del filtro y la bomba. Componentes del filtro o la bomba que estén estructuralmente debilitados pueden causar que anexos del filtro, la bomba o la válvula vuelen y podría causar daños corporales severos o daños a la propiedad.

9. Monte la tubería y los adaptadores de tubería a la bomba y a la válvula. Toda la tubería debe cumplir con los códigos estatales de tubería y sanidad.
10. Use cinta de sellado de rosca en todas las conexiones machos de la tubería y los adaptadores. Use solamente compuestos de selladores de tuberías adecuados para tubería plástica. Soporte la tubería para prevenir tensión en el filtro, la bomba o la válvula. **NO UTILICE PRODUCTOS DERIVADOS DE PETRÓLEO.**
11. Evite sobreajustar las roscas de la tubería cuando conecte los adaptadores a la bomba. El procedimiento correcto es aplicar un sellador de tubería a la rosca y luego instalar ajustado a mano más 1 ½ vueltas. **NO SOBREAJUSTE.**
12. Los tendidos largos de tuberías y los codos restringen el flujo. Para mejor eficiencia utilice los menos posibles adaptadores, tubería de diámetro grande (al menos 1 ½") y ubique el equipo lo más cercano posible a la piscina. La línea de succión de la bomba no debe ser más pequeña que el tamaño del tubo en la entrada de la bomba.
13. Es esencial que la línea de succión esté libre de fugas y trampas de aire.

 **AVISO**

La obstrucción de los adaptadores de succión puede causar lesiones severas o fatales debido a ahogamiento. No permita que los niños utilicen este equipo para piscinas / spa.

14. Los adaptadores de succión deben cumplir con los Estándares ASME/ANSI A 112.19.8 M. Utilice adaptadores de doble succión.
15. La máxima presión de operación de esta unidad es 25 libras por pulgada cuadrada. Nunca opere esta bomba sobre esta presión.

Esta bomba no está hecha para ser operada en serie con otras bombas.

 **AVISO**

Para reducir el riesgo de lesión, no permita que los niños utilicen este producto.

16. La instalación eléctrica de esta bomba debe ser llevada a cabo por un técnico electricista conforme al Código Eléctrico Nacional o su código eléctrico local.

 **AVISO**

Nunca trabaje con la bomba mientras esté corriendo o si la alimentación eléctrica aun está conectada; el voltaje peligroso puede causar lesión severa o fatal. Siempre se debe instalar un interruptor de falla a tierra apropiado a la fuente de suministro eléctrico de esta unidad.



17. La instalación eléctrica del motor de la bomba debe ser hecha de acuerdo con el diagrama del cableado proporcionado con el motor. El hacer la instalación eléctrica del motor con el suministro de voltaje incorrecto causará daños al motor y anulará la garantía.
18. La instalación eléctrica al motor debe ser mantenida lo más corta posible y lo suficientemente larga para no causar una caída excesiva de voltaje. Utilice la tabla de tamaño del cable como guía para seleccionar el tamaño mínimo del conductor.

<b>CORTACIRCUITOS RECOMENDADO Y DATOS DE CABLEADO</b>					
MOTOR HP	CIRCUITO- DERIVADO	VOLTIOS Hz/FASE	DISTANCIA EN PIES DEL CIRCUITO DERIVADO		TAMAÑO MÍNIMO DEL CABLE DE SERVICIO HACIA EL MOTOR
			0-50 PIES	50-100 PIES	
3/4	15 A	115/60/1	#14	#14	
1	15 A	115/60/1	#12	#12	
1-1/2	20 A	115/60/1	#12	#10	
1-1/2	15 A	230/60/1	#14	#14	

19. Instale la toma a tierra y el cable de conexión conforme a los requisitos del Código Eléctrico Nacional.

#### **CONEXIÓN A TIERRA**

20. Conecte a tierra el motor de forma permanente. Utilice el terminal verde proporcionado bajo la cubierta del motor o la placa de acceso; utilice el tamaño y el tipo de cable requerido por el código. Conecte el terminal de toma a tierra del motor a la toma a tierra del sistema eléctrico. En circuitos conectados por cable, verifique que tengan la conexión a tierra apropiada.

#### **CONEXIÓN - (para instalaciones eléctricas permanentes de bombas)**

21. El Código Eléctrico Nacional requiere que el motor esté eléctricamente conectado a una piscina que esté permanentemente instalada o a una estructura de un spa/jacuzzi por medio de un conductor sólido de cobre no más pequeño de N° 8 (8.35 mm<sup>2</sup>) AWG. El cable de conexión debe estar conectado desde el cable de conexión accesible en el casco del motor a todas las partes de metal de la piscina, estructura del spa o jacuzzi y a todo equipo eléctrico, tubería de conducción y tubería de metal localizadas dentro de un área de 1.524 metros de las paredes interiores de la piscina, spa o jacuzzi. Una orejeta para conexión a tierra es proporcionada en el exterior del casco del motor para este propósito.

### **AVISO**

(Para unidades conectadas por cable y enchufe) No entierre el cable. Ubique el cable para minimizar daños causados por cortadoras de césped, podadoras de setos, y otros equipos.

### **AVISO**

(Para unidades conectadas por cable y enchufe) Para reducir el riesgo de descarga eléctrica, reemplace inmediatamente el cable dañado.

### **AVISO**

(Para unidades conectadas por cable y enchufe) Para reducir el riesgo de descarga eléctrica, no utilice una extensión de cable para conectar la unidad al suministro eléctrico, provea una toma apropiadamente localizada.

### **PRECAUCIÓN**

No instale dentro del área de un recinto exterior o debajo de la cubierta de un jacuzzi o spa a menos que esté marcado para este propósito.

**ENCENDIDO INICIAL:**

1. Libere toda la presión del sistema y abra todos los sangradores de aire en un sistema totalmente hidráulico antes de poner en marcha la bomba. Ver el manual del propietario del filtro.
2. Asegúrese que todos los adaptadores, abrazaderas, cierres y acopladores estén apretados y de acuerdo a las recomendaciones del fabricante del equipo.
3. Abra la succión y descargue la válvula para permitir el flujo libre del agua. El origen del agua es más alto que la bomba en las bombas de succión inundada con recipientes para el filtro. El agua fluirá al recipiente para el filtro de la bomba y el recipiente se llenará con el agua. En las bombas sin recipiente para el filtro, el agua llenará la carcasa de la bomba.
4. En los sistemas de succión no inundada la abrazadera de la tapa del recipiente tendrá que ser removida rotando la tapa hacia la izquierda hasta que se detenga y levantando la abrazadera.
5. El recipiente del filtro de la bomba debe estar lleno de agua hasta la abertura de la succión en la bomba.
6. Es una buena práctica lubricar la junta tórica de la tapa con lubricante de silicón cada vez que la tapa es retirada. La junta tórica debe ser limpiada e inspeccionada cada vez que el recipiente del filtro es abierto.
7. La tapa debe ser colocada nuevamente sobre el recipiente alineando las orejas de la abrazadera con las ranuras en el recipiente del filtro. Presione hacia abajo la tapa y la abrazadera y déle vuelta a la abrazadera hacia la derecha para engranar.
8. La bomba está ahora lista para cebar. Encienda el motor y la bomba cebará. El tiempo para cebar dependerá de la elevación de la succión y la distancia y tamaño de la tubería de succión. Apague la bomba si ésta no ceba dentro de un plazo de cinco minutos y refiérase a la sección en este manual de la Guía de Localización y Solución de Problemas.

**NOTIFICACIÓN**

Nunca corra la bomba sin agua. Correr la bomba sin agua podría dañar los sellos y la carcasa de la bomba. Esto podría permitir fuga de agua e inundación.

**SECCIÓN III. FUNCIONAMIENTO DE LA BOMBA Y MANTENIMIENTO**** AVISO**

NO ABRA el recipiente del filtro si la bomba no comienza a cebar o si la bomba ha estado funcionando sin agua en el recipiente del filtro. Las bombas operadas bajo estas circunstancias podrían experimentar una acumulación de presión de vapor y podrían contener agua muy caliente. Abrir la bomba podría causar graves lesiones corporales. A fin de evitar la posibilidad de una lesión corporal, asegúrese que las válvulas de succión y descarga estén abiertas y que la temperatura del recipiente del filtro esté fría al tacto, luego abra con extrema precaución.

La canasta del filtro en la bomba debe ser inspeccionada y limpiada dos veces a la semana. Retire la tapa clara y la canasta, y limpie los escombros de la canasta. Inspeccione la junta tórica; si está dañada, reemplace. El sello de la bomba no requiere lubricación. Refiérase a centros de servicios de motor para servicio y reparación del motor.

**SECCIÓN IV. PROCEDIMIENTO DE DESMONTAJE / MONTAJE PARA EL REEMPLAZO DEL SELLO**** AVISO**

Nunca trabaje con la bomba mientras esté corriendo o si la alimentación eléctrica aun está conectada. Voltaje peligroso puede causar lesión severa o fatal.

1. Detenga la bomba y libere la presión del sistema.
2. Desconecte el suministro de electricidad del motor en el cortacircuitos.
3. Cierre las válvulas de succión y descarga.

4. Tenga extremo cuidado cuando maneje el sello mecánico. Las superficies de aparejamiento del sello son pulidas y pueden dañarse fácilmente.
5. El sello mecánico puede ser cambiado sin tener que desconectar la tubería quitando los 4 pernos (ver artículo 14 en la página 9) y jalando el motor con la placa de sellado de la bomba y el montaje del impulsor lejos de la parte delantera de la carcasa de la bomba.
6. Remueva el impulsor y la parte que rota del sello sujetando el eje del motor y girando el impulsor hacia la izquierda al estar de frente a la extensión del eje en el motor.
7. La parte que rota del sello puede ahora ser removida del impulsor. Limpie el eje del impulsor y lubrique con agua jabonosa. Limpie la superficie brillante del sellado de carbón del sello mecánico nuevo con una hoja de papel limpia para remover impresiones digitales aceitosas o cualquier otro material foráneo. El nuevo sello rotativo puede ser presionado de regreso al Impulsor.
8. Para retirar el asiento fijo de cerámica del sello, primero afloje los cuatro pernos del motor que corren a través del motor entero hasta la placa de sellado. Remueva del motor la placa de sellado. Presione el asiento de cerámica y la junta de goma fuera de la placa de sellado.
9. Limpie el área de la placa de sellado y lubrique con agua jabonosa. Presione el sello de cerámica nuevo y la junta hacia dentro de la placa de sellado, asegurándose que esté completamente asentada. Limpie la superficie del sellado de cerámica con una hoja de papel limpia para remover impresiones digitales aceitosas o cualquier otro material foráneo.
10. Coloque la placa de sellado en el motor y cuidadosamente alinee los cuatro pernos del motor. Asegure la placa de sellado al motor teniendo mucho cuidado de no sobreajustar los pernos. Lleve gradualmente los pernos hasta su ajuste final moviéndose en un patrón entrecruzado.
11. Verifique la posición del porte del sello mecánico en la placa de sellado y asegúrese que el eje del motor esté en el centro del porte del sello.
12. Enrosque el impulsor con el nuevo sello rotativo al eje del motor. Gire el eje del motor para asegurarse que el impulsor no esté tocando la placa de sellado.
13. Limpie la junta tórica de la placa de sellado y verifique para asegurarse que esté en su posición. Coloque nuevamente la placa del motor y de sellado en la parte delantera de la carcasa de la bomba y atornille los cuatro pernos. Lleve gradualmente los pernos hasta su ajuste final moviéndose en un patrón entrecruzado.
14. Refiérase a los procedimientos de encendido inicial para poner en marcha la bomba nuevamente.

## **SECCIÓN V. PROCEDIMIENTO PARA ACONDICIONAMIENTO PARA EL INVIERNO**

### **NOTIFICACIÓN**

Permitir que el agua se congele en la bomba dañará la bomba y podría causar daños potenciales de agua / inundación y daños a la propiedad.

1. Vacíe toda el agua de la carcasa de la bomba y de la tubería cuando temperaturas de congelación son esperadas. Un tapón de drenaje es proporcionado para drenar la bomba. Si la bomba tiene un recipiente para el filtro también debe ser removido junto con el tapón de drenaje de la carcasa de la bomba. Si la bomba no tiene un puerto de filtro remueva solamente el tapón de la carcasa de la bomba.
2. Si la bomba puede ser retirada y colocada en un lugar seco en el interior se debe hacer.
3. Para una ubicación en el exterior sin protección es mejor proteger el equipo en una cubierta resistente a la intemperie.
4. No envuelva el motor con plástico porque se podría crear condensación desde el interior del motor.
5. En una instalación en donde la bomba no puede ser drenada se debe usar una solución a 40% propileno 60% glicol, la cual protegerá hasta temperaturas de  $-45.56^{\circ}$  C.

### **NOTIFICACIÓN**

No utilice soluciones anticongelantes con excepción de propileno glicol, ya que los demás anticongelantes son altamente tóxicos y dañaran la bomba.

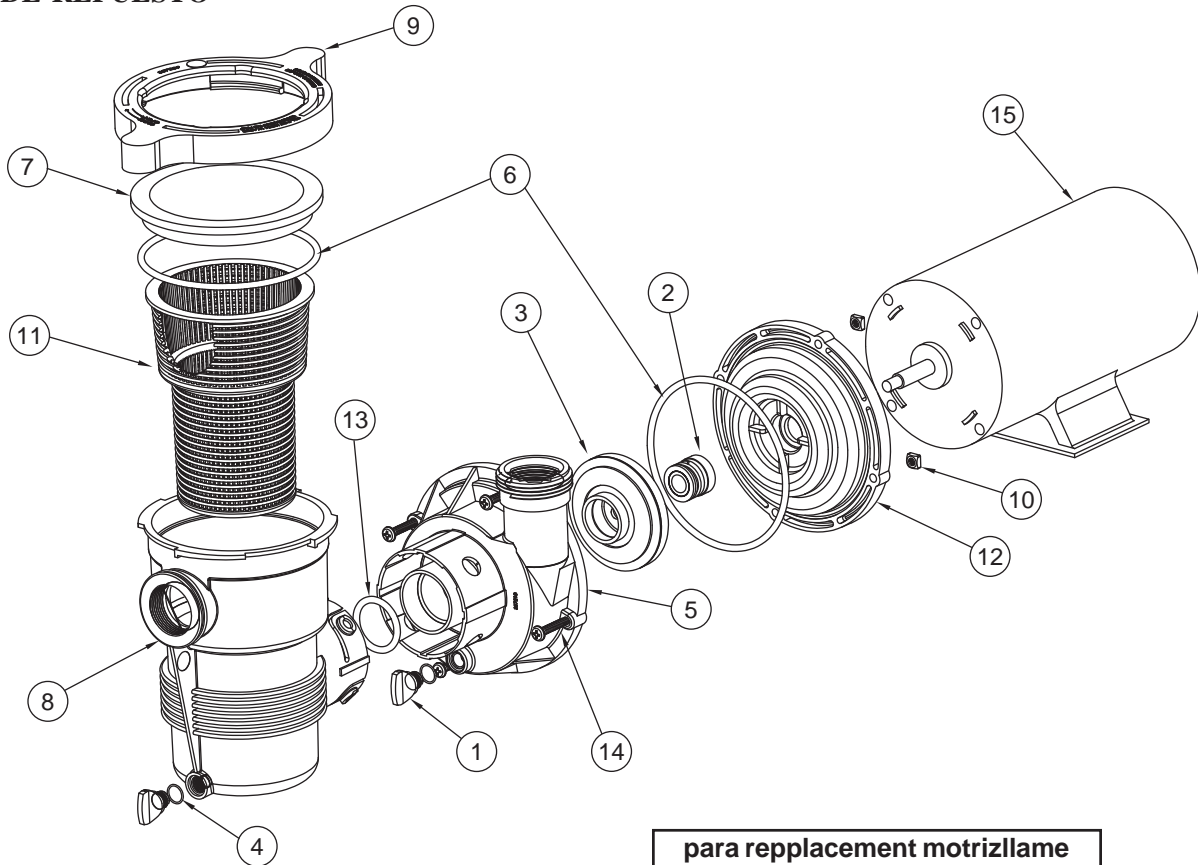
## SECCIÓN VI. GUÍA DE LOCALIZACIÓN Y SOLUCIÓN DE PROBLEMAS

Los siguientes son algunas causas comunes de los problemas que pueden presentarse.

PROBLEMA	CAUSA	SOLUCIÓN
La bomba no bombea	No hay agua en el recipiente del filtro.	Échele agua al recipiente.
	La tapa del recipiente del filtro no está apretada.	Apriete la tapa.
	La junta tórica está dañada.	Reemplace la junta tórica.
	El nivel del agua está por debajo del skimmer.	Ajuste el nivel de agua de la piscina.
	La canasta del filtro o la canasta del skimmer está obstruida.	Despeje la canasta.
	Válvula cerrada en el sistema de tubería.	Verifique todas las válvulas y abra todas las válvulas que sean necesarias.
	La bomba está en la velocidad lenta. (unidades de dos velocidades solamente)	Ajuste a velocidad alta.
	Fuga de aire en la línea de succión.	Busque y corrija la fuga.
	El nivel de agua es muy bajo y la bomba de puede levantar.	Ajuste el nivel de la bomba y asegúrese que está por debajo del nivel del agua.
Flujo bajo – presión del filtro alta.	Filtro está sucio.	Limpie el filtro.
	Restricción en la línea de retorno.	Abra la restricción de la línea de retorno.
Flujo bajo – presión del filtro baja.	La canasta del filtro o la canasta del skimmer está obstruida.	Limpie la canasta.
	Impulsor obstruido.	Limpie la obstrucción.
	Fuga de aire en la línea de succión.	Busque y corrija la fuga.
	Restricción en la línea de succión.	Busque y abra la restricción.
El motor no da vueltas.	Interruptor de encendido está apagado.	Verifique el interruptor de encendido y vuelva a arrancar.
	El cortacircuito se ha desconectado.	Verifique el cortacircuito y restablézcalo, si se vuelve a desconectar comuníquese con un electricista.
	La bomba está en el modo de apagado en un temporizador de circuito controlado.	Verifique el modo del temporizador.
	Las conexiones de los terminales del motor están incorrectas.	Haga que un electricista verifique las conexiones de los terminales.
	El eje del motor está trabado debido a un cojinete defectuoso.	Haga que le reemplacen los cojinetes del motor o reemplace la bomba.
Motor se está sobrecalentando.	Las conexiones eléctricas de suministro están incorrectas.	Haga que un electricista le verifique las conexiones de los terminales.
	El cableado hacia la bomba esta por debajo del tamaño.	Consulte con un electricista para que le cambie la instalación eléctrica.
	El suministro del voltaje de parte de la compañía eléctrica está bajo.	Notifíquese a la compañía eléctrica.
	La ventilación es inadecuada para el motor.	Remueva cualquier restricción al flujo de aire.

## SECCIÓN VII. DATOS TÉCNICOS

### PIEZAS DE REPUESTO



para replacement motrizllame  
servicio de atención al cliente

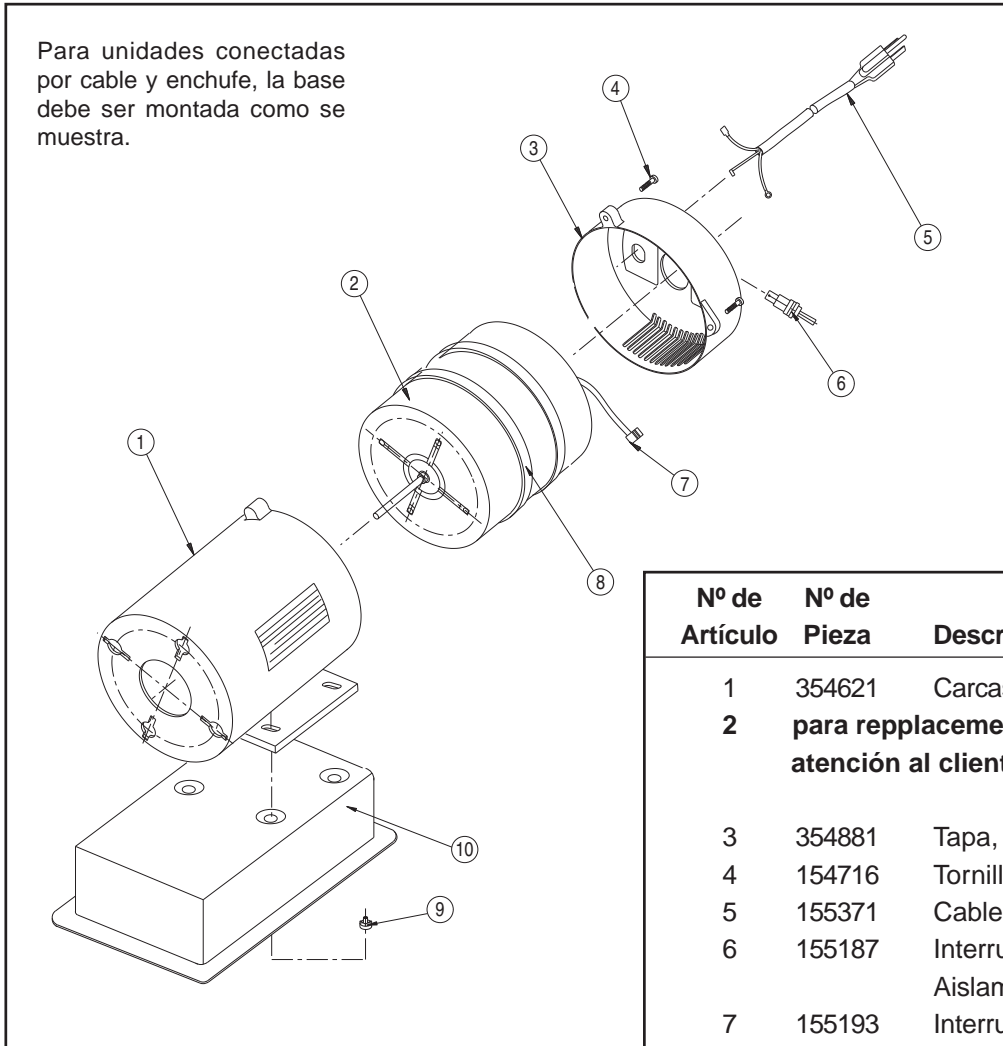
Nº de Artículo	Nº de Pieza	Descripción
1	357161	Tapón de Drenaje, 3 req.
2	354545	Sello Mecánico
3	354552	Impulsor – 3/4 hp, 1 hp SPL
3	350017	Impulsor – 1 hp, 1.5 hp SPL
3	350018	Impulsor – 1.5 hp
4	192115	Junta Tórica, 3 req.
5	357213	Montaje Recipiente
6	357255	Junta Tórica 2-357, 2 req.
7	357227	Tapa
8	357228	Montaje Recipiente
9	357239	Abrazadera
10	357254	Tuerca Cuadrada de 1/4-20, 4 req.
11	355667	Canasta
12	357215	Placa de Sellado
13	350103	Junta tórica.
14	98209000	Tornillo Mecánico de 1/4-20 x 1.5, 4 req.

#### NO ILUSTRADO

79137800	- Cable - .914 metros de largo, Enchufe Estándar de 15 Amp
155234	Cable - .914 metros de largo, Enchufe de Cierre por Torsión de 15 Amp

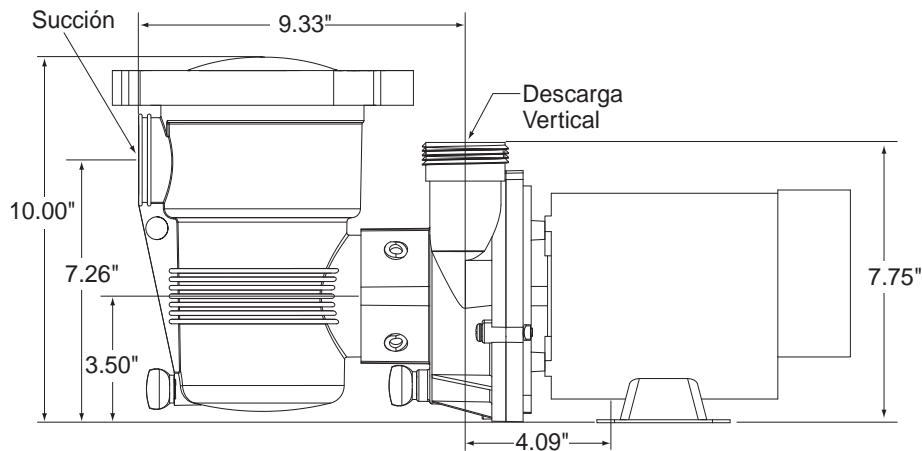
**PIEZAS DE REPUESTO (UNIDADES MONTADAS SOBRE BASES)**

Para unidades conectadas por cable y enchufe, la base debe ser montada como se muestra.

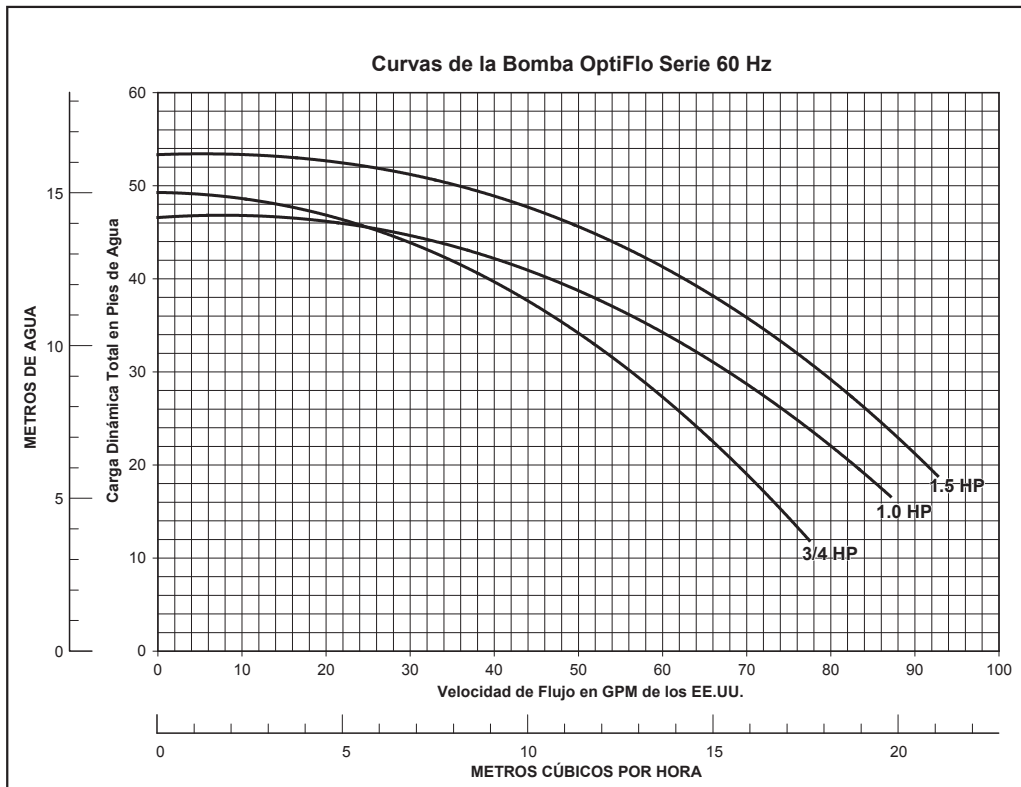
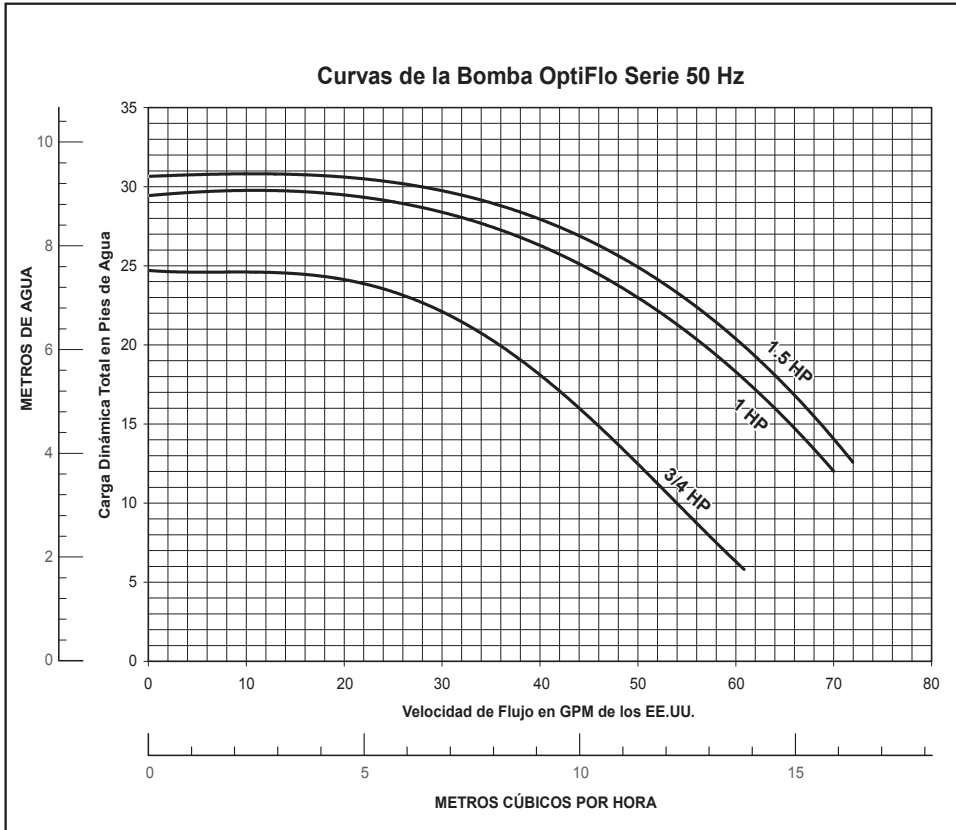


Nº de Artículo	Nº de Pieza	Descripción
1	354621	Carcasa
2		<b>para replacement motrizllame servicio de atención al cliente</b>
3	354881	Tapa, Carcasa CSA Mtr con 3 Tornillos
4	154716	Tornillo - Autoroscante HH #10, 3 req.
5	155371	Cable de Corriente de 7.62 metros de 16 Ga
6	155187	Interruptor de Palanca con Doble Aislamiento
7	155193	Interruptor de Continuidad #16
8	354658	Espuma Aislada con Adhesivo
9	155109	Tuerca - T4 Prong
10	153263	Base CSA 4 in. de Altura

**DATOS DIMENSIONALES**



OptiFlo® Curvas de la bomba





1620 HAWKINS AVE., SANFORD, NC 27330 • (919) 566-8000  
10951 WEST LOS ANGELES AVE., MOORPARK, CA 93021 • (805) 553-5000  
WWW.PENTAIRPOOL.COM

Todos los logotipos y las marcas comerciales de Pentair son propiedad de Pentair, Inc. Pentair Aquatic Systems™ and OptiFlo® son marcas comerciales registradas de Pentair Water Pool and Spa, Inc. y/o de sus compañías afiliadas en los Estados Unidos y/o en otros países. A menos que se indique expresamente, los nombres y las marcas de terceros que se mencionan en este documento no indican afiliación o aval alguno entre los propietarios de estos nombres y marcas y Pentair Water Pool and Spa, Inc. Es posible que estos nombres y marcas sean marcas comerciales o registradas de estos terceros. Debido a que mejoramos continuamente nuestros productos y servicios, Pentair se reserva el derecho a cambiar las especificaciones sin previo aviso. Pentair es una compañía que ofrece igualdad de oportunidad de empleo.

© 2012 Pentair Aquatic Systems. Todos los derechos reservados. Este documento está sujeto a cambios sin previo aviso.



P/N 152012 REV. B 9/24/12





OPTIFLO®

POMPE POUR PISCINE HORS SOL



## GUIDE D'INSTALLATION ET D'UTILISATION

IMPORTANTES INSTRUCTIONS DE SÉCURITÉ  
*LIRE ET SUIVRE TOUTES LES CONSIGNES*  
CONSERVEZ LES INSTRUCTIONS

## Table des matières

SECTION I.	FONCTIONNEMENT DE VOTRE POMPE .....	3
SECTION II.	INSTALLATION .....	3 à 6
SECTION III.	FONCTIONNEMENT ET ENTRETIEN DE LA POMPE .....	6
SECTION IV.	PROCÉDURE POUR CHANGER LES JOINTS .....	6 à 7
SECTION V.	PROCÉDURE DE MISE EN HIVERNAGE .....	7
SECTION VI.	GUIDE DE DÉPANNAGE .....	8
SECTION VII.	DONNÉES TECHNIQUES .....	9 à 12

### **AVERTISSEMENT**

Afin de réduire le risque de blessures, ne pas autoriser les enfants à utiliser ce produit sauf s'ils sont supervisés par des adultes à tout moment.

### **AVERTISSEMENT**

Avant d'installer ce produit, lire et respecter les avertissements et les consignes qui accompagnent cette pompe. Des blessures corporelles, la mort ou des dommages matériels peuvent se produire si ces avertissements et ces consignes de sécurité ne sont pas respectés. Appeler le (800) 831 7133 pour d'autres exemplaires de ces consignes.

### **Avis important**



Avis à l'installateur.

Ce manuel contient des informations importantes concernant l'installation, le fonctionnement et l'utilisation sans danger de ce produit. Cette information doit être fournie au propriétaire / à l'utilisateur de cet appareil.

### **CONSIGNES DE SÉCURITÉ DE LA POMPE**

Lors de l'installation et de l'utilisation de cet appareil électrique, des précautions de sécurité de base doivent toujours être respectées, y compris les consignes suivantes :

### **AVERTISSEMENT**

#### **RISQUE DE CHOC ÉLECTRIQUE OU D'ÉLECTROCUTION**



Cette pompe de piscine doit être installée par un électricien professionnel ou un réparateur de piscine agréé conformément aux normes du Code National d'Électricité (NEC) et aux codes et ordonnances locaux appropriés. Une mauvaise installation risque de créer un danger électrique entraînant la mort ou des blessures graves aux utilisateurs de la piscine, aux installateurs, ou à autrui, en cas d'électrocution, ou encore de provoquer des dégâts matériels.

Débrancher toujours la pompe de piscine au niveau du disjoncteur avant tout entretien. Sinon, des blessures graves ou même la mort du réparateur, des utilisateurs de la piscine, ou d'autrui peuvent résulter d'un choc électrique.

### **AVERTISSEMENT**

Risque d'électrocution. Raccorder uniquement sur une mise à terre protégée par un disjoncteur de fuite à la terre (GFCI). Contacter un électricien professionnel si vous ne savez pas vérifier si la prise de courant est protégée par un GFCI.

### **AVERTISSEMENT**

Ne pas enterrer le cordon électrique. Mettre le cordon le plus loin possible des zones où sont utilisées les tondeuses, les taille-haies et autres appareils.

### **AVERTISSEMENT**

Afin de réduire le risque d'électrocution, changer immédiatement les cordons endommagés.

## ⚠️ **AVERTISSEMENT**

Afin de réduire le risque d'électrocution, ne pas utiliser de cordon prolongateur pour brancher l'appareil sur une alimentation électrique; Se brancher sur une prise électrique accessible.

## ⚠️ **AVERTISSEMENT**

Pour assurer une protection continue contre une possible électrocution, cet appareil doit être monté selon ces instructions d'installation.

## **Avis important**

Cette pompe fonctionne sur courant électrique, et elle peut générer du vide et de la pression dans le système hydraulique. Si les raccords d'électricité et de plomberie sont effectués correctement, cette pompe peut fonctionner sans aucun danger.

## ⚠️ **ATTENTION**

Cette pompe s'utilise avec des piscines installées en permanence et également dans des jacuzzi ou des spas. Ne pas utiliser avec des piscines autoportantes sauf si la pompe est protégée par un logement à double isolation installé par le fabricant. Une piscine installée de façon permanente est construite au-dessus ou dans le sol ou à l'intérieur d'un bâtiment, et n'est pas facilement démontable pour être stockée. Une piscine autoportante est conçue pour se démonter facilement pour être rangée et se remonter dans sa totalité, et possède une dimension maximum de 18 pieds et une hauteur maximum de paroi de 42 pouces.

### **LIRE ET RESPECTER TOUTES LES CONSIGNES DE SÉCURITÉ**

#### **SECTION I. FONCTIONNEMENT DE VOTRE POMPE**

Votre pompe centrifuge est conçue pour fonctionner pendant des années avec un entretien adéquat. Le carter de pompe, la plaque d'étanchéité, la cuve de collecte des cheveux et de la poussière et la turbine sont en matériaux thermoplastiques de la plus haute qualité. Ces matériaux ont été choisis pour leur résistance à la corrosion. Si l'installation, le fonctionnement et l'entretien de la pompe sont effectués selon ces instructions, votre pompe vous apportera toute satisfaction pendant des années.

Votre pompe centrifuge est entraînée par un moteur électrique. Ce moteur est directement attaché à la turbine de la pompe. La rotation du moteur électrique entraîne la rotation de la turbine, ce qui provoque l'écoulement de l'eau. Afin de préfiltrer les gros débris, l'eau passe par la crépine pour arriver dans la cuve de collecte des cheveux et de la poussière. S'il n'y a pas de cuve de collecte, l'eau arrive ensuite dans le carter de pompe. L'eau passe dans la turbine et ressort par l'orifice d'écoulement.

#### **2 - Modèles de pompe à vitesses :**

La performance de cette pompe est identique à grande vitesse à celle d'une pompe de même modèle à une seule vitesse, hydrauliquement parlant. A faible vitesse, la pompe fournira la moitié du débit et un quart de la pression fournie à haute vitesse. Cependant, la pression nécessaire pour le filtre et la tuyauterie de la piscine avec à moitié moins de débit sera également réduite puisque la friction du système sera moindre. Ces pertes de friction résulteront en économie d'énergie **CONSIDÉRABLE**. Avec un débit de moitié (à faible vitesse), les économies d'énergie sont de 60% pour une quantité identique d'eau circulée.

Régler le moteur sur faible vitesse pour un fonctionnement plus silencieux et un moindre coût électrique. Etant donné qu'il est préférable de faire fonctionner la pompe à faible vitesse pour économiser de l'énergie, quelques ajustements mineurs du distributeur de chlore, des écumeurs et du chauffe-eau seront peut-être nécessaires en raison du faible débit. (Voir les manuels de fonctionnement des fabricants de matériel).

Les propriétaires de piscine doivent utiliser la vitesse maximum pour aspirer la piscine, pour filtrer l'eau rapidement, pour amorcer le système et pour nettoyer des piscines très fréquentées.

#### **SECTION II. INSTALLATION**

1. Vérifier que le paquet n'a pas été endommagé par une manipulation un peu rude au cours de la livraison. Si l'emballage ou des composants de pompe sont endommagés, contacter immédiatement le transporteur.
2. Après inspection, retirer la pompe de son paquet.
3. La pompe doit être montée sur une base plate solide, suffisamment élevée pour éviter que le moteur ne soit inondé. Un emplacement abrité est préférable, avec également une aération adéquate.

4. Prévoir un accès facile et lumineux pour l'entretien régulier de la pompe. Ne pas installer les commandes électriques juste au-dessus de la pompe.
5. La pompe doit se trouver le plus près possible de la piscine ou du spa. Eviter d'installer la pompe **au-dessus du niveau de l'eau**. Une élévation d'aspiration supérieure à 1/2 pied entraîne un temps d'amorçage plus long et endommagerait la pompe.
6. La pompe doit se trouver dans un endroit offrant un bon drainage pour éviter les inondations.
7. Au cours de l'installation, ne pas oublier d'installer des vannes ou d'autres moyens permettant de débrancher l'aspiration de la pompe et de la vider pour l'entretien.
8. Ne jamais ranger les produits nettoyants à moins de 10 pieds du filtre de piscine et de la pompe. Ces produits sont corrosifs et ils doivent toujours être rangés dans un endroit frais, sec et bien aéré.

### **AVERTISSEMENT**

Les vapeurs et / ou les éclaboussures chimiques peuvent constituer une attaque corrosive sévère pour la crépine et les composants structurels de la pompe. Une crépine ou une pompe structurellement endommagés peuvent entraîner l'explosion des fixations de crépine, de pompe ou de vanne, et provoquer des blessures corporelles ou des dégâts matériels graves.

9. Assembler la tuyauterie et les raccords de tuyau à la pompe et la vanne. La tuyauterie doit être conforme aux codes locaux et nationaux de plomberie et d'hygiène.
10. Utiliser du ruban d'étanchéité fileté e sur l'ensemble des raccordements mâles des tuyaux et des raccords. Utiliser uniquement du mastic d'étanchéité prévu pour les tuyaux en plastique. Soutenir le tuyau pour éviter d'exercer toute tension sur la crépine, la pompe ou la vanne. **NE PAS UTILISER DE PRODUITS À BASE DE PÉTROLE.**
11. Eviter de trop serrer le filetage des tuyaux lors du montage des raccords sur la pompe. La meilleure façon de procéder est d'enduire le filet de mastic d'étanchéité et de resserrer ensuite à la main, en ajoutant 1 tour et demie. **NE PAS TROP SERRER.**
12. Des tuyaux trop longs et des coudes empêchent un bon débit. Pour une efficacité maximale, utiliser le moins de raccords possible, et des tuyaux à large diamètre (d'au moins 1 ½ pouce) et poser l'appareil le plus près possible de la piscine. La conduite d'aspiration de la pompe ne doit pas être plus petite que le tuyau sur l'arrivée de la pompe.
- 13 Il est important que la conduite d'aspiration ne comporte aucune fuite ou poche d'air.

### **AVERTISSEMENT**

Des raccords d'aspiration bouchés peuvent entraîner des blessures graves ou mortelles par noyade. Ne pas autoriser les enfants à utiliser ce produit.

14. Les raccords d'aspiration doivent être conformes aux normes ASME/ANSI A 112.19.8 M. Utiliser un double raccord d'aspiration.
15. La pression de service maximum de cet appareil est de 25 livres par pouce carré. Ne jamais faire fonctionner cette pompe à une tension supérieure.

Cette pompe n'est pas conçue pour fonctionner en combinaison avec d'autres pompes.

### **AVERTISSEMENT**

Afin de réduire les risques de blessures, ne pas autoriser les enfants à utiliser ce produit.

16. Le câblage de cette pompe doit être effectué par un électricien professionnel conformément au Code National d'Electricité (NEC) et aux codes électriques locaux.

### **AVERTISSEMENT**

Ne jamais travailler sur une pompe en marche ou encore branchée. Le courant électrique est dangereux et peut entraîner des blessures graves ou mortelles. Un disjoncteur de fuite approprié à la terre doit toujours être installé sur l'alimentation électrique de cet appareil.

17. Les raccords électriques du moteur de la pompe doivent être effectués selon le voltage utilisé et au schéma de câblage fourni avec le moteur. Alimenter le moteur avec un voltage incorrect risque d'endommager le moteur et d'annuler la garantie.
18. Les fils électriques reliés au moteur doivent être aussi courts que possible et de calibre suffisant pour NE PAS entraîner une baisse de tension excessive. Utiliser le tableau de taille des fils pour choisir la taille minimum des conducteurs.

<b>SPÉCIFICATIONS CONSEILLÉES POUR LE DISJONCTEUR ET LES FILS ÉLECTRIQUES</b>					
MOTEUR CV	DÉRI- VATION	VOLTAGE HZ/PHASE	DISTANCE EN PIEDS DE LA DÉRIVATION		CALIBRE MINIMUM DES FILS AU MOTEUR
			0 à 50 PIEDS	50 à 100 PIEDS	
3/4	15 A	115/60/1	#14	#14	
1	15 A	115/60/1	#12	#12	
1-1/2	20 A	115/60/1	#12	#10	
1-1/2	15 A	230/60/1	#14	#14	

19. Installer, mettre à terre et connecter les fils conformément aux normes locales ou aux normes du Code national d'Electricité.

#### **MISE À TERRE**

20. Mettre à terre le moteur de façon permanente. Utiliser la borne verte qui se trouve sous le châssis du moteur ou de la plaque d'accès; utiliser la taille et le type de fils exigés par le Code. Raccorder la borne de terre du moteur à la mise à terre du circuit électrique. Pour les circuits raccordés par cordon électrique, vérifier que la mise à terre est correcte.

#### **CONNEXION - (Pour les pompes câblées de façon permanente)**

21. Code National d'Electricité exige que le moteur soit connecté à une piscine installée en permanence ou à des structures de spa/jacuzzi à l'aide d'un conducteur en cuivre massif d'un calibre au moins égal à No. 8 AWG. Les fils de connexion doivent être connectés, à partir d'un serre-fils accessible sur la coquille du moteur, à l'ensemble des composants en métal de la structure de la piscine, du spa ou du jacuzzi et à l'ensemble des appareils électriques, des conduites en métal et des tuyaux en métal à moins de 5 pieds des parois internes de la piscine, du spa ou du jacuzzi. Une patte de mise à terre est fournie sur l'extérieur de la coquille du moteur dans ce but.

### **AVERTISSEMENT**

(Pour les modèles avec prise et cordon électriques) Ne pas enterrer le cordon électrique. Mettre le cordon le plus loin possible des zones où sont utilisés les tondeuses, les taille-haies et autres appareils.

### **AVERTISSEMENT**

(Pour les modèles avec prise et cordon électriques) Afin de réduire le risque d'électrocution, changer immédiatement les cordons endommagés.

### **AVERTISSEMENT**

(Pour les modèles avec prise et cordon électriques) Afin de réduire le risque d'électrocution, ne pas utiliser de cordon prolongateur pour raccorder l'appareil à une alimentation électrique; raccorder à une sortie de courant proche.

### **ATTENTION**

Ne pas installer à l'intérieur d'un abri extérieur ou sous la paroi d'un jacuzzi ou d'un spa sauf si cela est autorisé.

## MISE EN ROUTE INITIALE :

1. Relâcher la pression du système en ouvrant l'ensemble des purgeurs d'air du système hydraulique avant de mettre la pompe en marche. Consulter le guide d'utilisateur du filtre.
2. S'assurer que l'ensemble des raccords, pinces, fermetures et accouplements sont serrés, conformément aux directives du fabricant de l'appareil.
3. Ouvrir les vannes d'aspiration et d'écoulement afin que l'eau s'écoule librement. Sur les pompes à aspiration submersibles avec crépine, la source de l'eau est plus élevée que la pompe. L'eau coule dans la crépine de la pompe et la crépine se remplit d'eau. Sur des pompes sans crépine, l'eau remplit le carter de pompe.
4. Sur des systèmes d'aspiration non submersibles, retirer la pince du couvercle de la crépine en faisant tourner le couvercle dans le sens contraire des aiguilles d'une montre jusqu'à l'arrêt et en soulevant la pince.
5. La crépine de la pompe doit être remplie d'eau jusqu'à l'orifice d'aspiration de la pompe.
6. Il est bon de lubrifier le couvercle du joint torique avec du lubrifiant en silicone chaque fois que le couvercle est retiré. Nettoyer et inspecter le joint torique chaque fois que la crépine est ouverte.
7. Changer le couvercle de la crépine en alignant les taquets de serrage avec les encoches de la crépine. Appuyer sur le couvercle, serrer et tourner dans le sens des aiguilles d'une montre pour mettre en route.
8. La pompe est prête pour l'amorçage. Allumer le moteur et la pompe s'amorcera. Le temps d'amorçage dépendra de l'élévation d'aspiration et de la distance et la taille de la conduite d'aspiration. Eteindre la pompe si elle ne s'amorce pas dans les cinq premières minutes et consulter la section Guide de Dépannage de ce manuel.

### AVIS

Ne jamais faire tourner la pompe à sec. Une mise en route à sec risque d'endommager les joints et le carter de pompe. Ceci peut entraîner des fuites et des inondations.

## SECTION III. FONCTIONNEMENT ET ENTRETIEN DE LA POMPE

### AVERTISSEMENT

NE PAS ouvrir la crépine si la pompe ne s'amorce pas ou si la pompe fonctionne sans eau dans la crépine. Les pompes ayant fonctionné dans ces conditions peuvent avoir un trop plein de tension de vapeur et contenir de l'eau bouillante. L'ouverture de la pompe peut entraîner des blessures corporelles graves. Afin d'éviter les blessures corporelles, s'assurer que les vannes d'aspiration et d'écoulement sont ouvertes et que la température de la crépine est froide au toucher, puis ouvrir avec une extrême précaution.

Inspecter et nettoyer la crépine de la pompe deux fois par semaine. Retirer le couvercle transparent et la crépine, et retirer les débris de la crépine. Inspecter le couvercle du joint torique; s'il est endommagé, le changer. Le joint de la pompe ne nécessite aucune lubrification. Consulter les centres de service après-vente pour les réparations du moteur.

## SECTION IV. PROCÉDURE DE DÉMONTAGE/MONTAGE POUR CHANGER LE JOINT D'ÉTANCHÉITÉ

### AVERTISSEMENT

Ne jamais travailler sur une pompe en marche ou encore branchée au courant. Le courant électrique est dangereux et peut entraîner des blessures graves ou mortelles.

1. Arrêter la pompe et soulager la tension du système.
2. Débrancher le courant du moteur au niveau du disjoncteur.
3. Fermer les vannes d'aspiration et d'écoulement.

4. Manier le joint mécanique avec une extrême précaution. Les surfaces de contact du joint sont polies et elles s'endommagent facilement.
5. Le joint mécanique peut être changé sans désaccoupler la tuyauterie, en retirant les 4 boulons (voir point 14 en page 9) et en retirant le moteur avec l'ensemble des plaques d'étanchéité et turbine sur l'avant du logement du carter de pompe.
6. Retirer la turbine et la partie rotative du joint en tenant l'arbre de moteur et en faisant tourner la turbine dans le sens contraire des aiguilles d'une montre lorsqu'il est face à l'extrémité de l'arbre du moteur.
7. La partie rotative du joint peut maintenant être retirée de la turbine. Nettoyer le moyeu de la turbine et lubrifier avec de l'eau savonneuse. Essuyer avec un chiffon propre les surfaces de contact brillantes en carbone du nouveau joint mécanique pour en retirer les empreintes et autres corps étrangers. Le nouveau joint rotatif peut être réinséré au fond de la turbine.
8. Pour retirer le siège stationnaire du joint en céramique desserrer d'abord les quatre boulons du moteur qui passent sur toute la longueur du moteur dans la plaque d'étanchéité. Retirer la plaque d'étanchéité du moteur. Retirer en appuyant le siège en céramique et le joint en caoutchouc de la plaque d'étanchéité.
9. Nettoyer le joint de la plaque d'étanchéité et lubrifier avec de l'eau savonneuse. Presser le nouveau joint céramique et la garniture dans la plaque d'étanchéité, en l'enclenchant bien. Essuyer la surface en céramique avec un chiffon propre pour retirer les empreintes graisseuses ou les corps étrangers.
10. Mettre la plaque d'étanchéité sur le moteur et aligner les quatre boulons du moteur. Fixer la plaque d'étanchéité sur le moteur en prenant soin de ne pas trop serrer les boulons. Resserrer progressivement les boulons en allant de l'un à l'autre en suivant un schéma croisé.
11. Vérifier la position du joint mécanique dans la plaque d'étanchéité et s'assurer que l'arbre de moteur est au centre de l'ensemble d'étanchéité.
12. Visser la turbine avec un nouveau joint rotatif sur l'arbre de moteur. Faire tourner l'arbre de moteur pour s'assurer que la turbine ne touche pas la plaque d'étanchéité.
13. Nettoyer la plaque d'étanchéité du joint torique et vérifier qu'il est bien en place. Changer le moteur et la plaque d'étanchéité sur l'avant du logement du carter de pompe et visser en place avec 4 boulons. Resserrer progressivement les boulons en allant de l'un à l'autre en suivant un schéma croisé.
14. Consulter la procédure de mise en route initiale pour redémarrer la pompe.

## SECTION V. PROCÉDURE DE MISE EN HIVERNAGE

### AVIS

L'eau qui gèle dans la pompe peut endommager la pompe et entraîner des dégâts des eaux / une inondation probables ainsi que des dégâts matériels probables.

1. Vidanger toute l'eau du carter et des tuyaux de la pompe lorsqu'il va geler. Un bouchon de vidange est fourni pour vidanger la pompe. Si la pompe possède une crépine, retirer à la fois le bouchon de vidange de la crépine et celui du carter. Si la pompe n'a pas de crépine, retirer uniquement retirer le bouchon du carter.
2. Si la pompe peut être retirée et entreposée dans un endroit sec à l'intérieur, le faire.
3. Pour un emplacement extérieur non protégé, le mieux est de protéger l'appareil dans un abri à l'épreuve des intempéries.
4. Ne pas envelopper le moteur de plastique à cause de la condensation qui peut se former à l'intérieur du moteur.
5. Dans les systèmes où la pompe ne peut pas être vidangée, une solution à base de 40% de propylèneglycol et de 60% d'eau protégera la pompe jusqu'à moins 50° F.

### AVIS

Ne pas utiliser de solutions antigels, sauf pour le propylèneglycol, puisque les autres antigels sont hautement toxiques et peuvent endommager la pompe.

## SECTION VI. GUIDE DE DÉPANNAGE

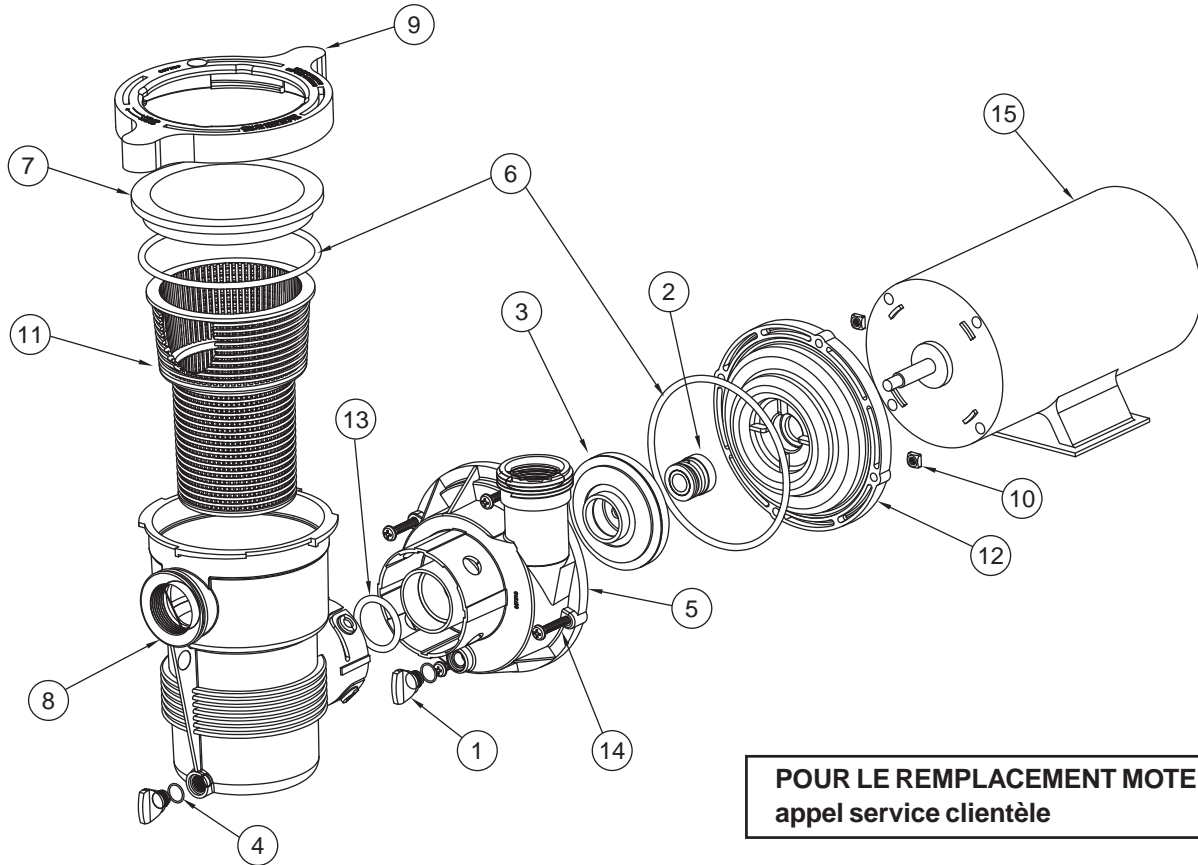
Ci-dessous se trouvent les causes de problèmes courants

<b>PROBLÈME</b>	<b>CAUSE</b>	<b>SOLUTION</b>
La pompe ne s'amorce pas	Pas d'eau dans la crépine.	Ajouter de l'eau à la crépine.
	Le couvercle de la crépine n'est pas bien serré.	Resserrer le couvercle.
	Couvercle du joint torique endommagé.	Changer le joint torique.
	Le niveau d'eau est en dessous de l'écumoire	Régler le niveau d'eau de la piscine.
	Le panier de la crépine ou de l'écumoire est obstrué.	Nettoyer la crépine ou l'écumoire.
	Vanne fermée dans la tuyauterie.	Vérifier toutes les vannes et ouvrir les vannes nécessaires.
	La pompe est sur la vitesse inférieure (appareils à deux vitesses uniquement).	Régler sur la vitesse supérieure.
Faible débit – Pression de filtrage élevée.	Fuite d'air dans la conduite d'aspiration.	Trouver la fuite et la réparer.
	Le niveau d'eau est trop bas et la pompe ne peut pas l'aspirer.	Régler le niveau de la pompe et s'assurer qu'elle est sous le niveau de l'eau.
	Le filtre est sale.	Nettoyer le filtre.
	Conduite de retour entravée.	Retirer les entraves dans la conduite de retour.
Faible débit - Pression de filtrage basse.	Le panier de la crépine ou de l'écumoire est obstrué.	Nettoyer la crépine ou l'écumoire.
	La turbine est obstruée.	Nettoyer l'obstruction.
	Fuite d'air dans la conduite d'aspiration.	Trouver la fuite et la réparer.
	Conduite d'aspiration entravée.	Trouver et dégager les entraves.
Le moteur ne démarre pas.	Le commutateur de courant est sur arrêt.	Vérifier le commutateur de courant et réenclencher.
	Le disjoncteur a court-circuité.	Vérifier le disjoncteur et réenclencher; s'il court-circuite de nouveau, consulter un électricien.
	La pompe est un mode arrêt sur un circuit contrôlé par une minuterie.	Vérifier la minuterie.
	Les raccordements des bornes du moteur sont incorrects.	Faire vérifier les raccordements des bornes par un électricien.
	L'arbre de moteur est coincé à cause de coussinets défectueux.	Faire changer les coussinets du moteur ou changer la pompe.
Le moteur surchauffe.	Les raccords électriques sont incorrects.	Faire vérifier les raccordements des bornes par un électricien.
	Les fils de raccord à la pompe ne sont pas d'un calibre adéquat.	Consulter un électricien pour câbler la pompe.
	La tension du courant fourni par la Compagnie d'électricité est faible.	En aviser la Compagnie d'électricité.
	La ventilation est inadéquate pour le moteur.	Retirer les entraves au débit d'air.



## SECTION VII. DONNÉES TECHNIQUES

## PIÈCES DE RECHANGE



N° d'article.	N° de pièce	Description
1	357161	Bouchon de vidange, 3 requis.
2	354545	Joint mécanique
3	354552	Turbine-3/4 cv, 1 cv SPL
3	350017	Turbine -1 cv, 1,5 cv SPL
3	350018	Turbine – 1,5 cv
4	192115	Joint torique , 3 requis.
5	357213	Boîte assemblée
6	357255	Joint torique 2-357, 2 requis.
7	357227	Couvercle
8	357228	Boîte assemblée
9	357239	Pince vérin et came
10	357254	1/4-20 Ecrou carré, 4 requis.
11	355667	Crépine
12	357215	Plaque d'étanchéité
13	350103	Joint torique
14	98209000	1/4-20 x1,5 Vis à métaux, 4 requis.

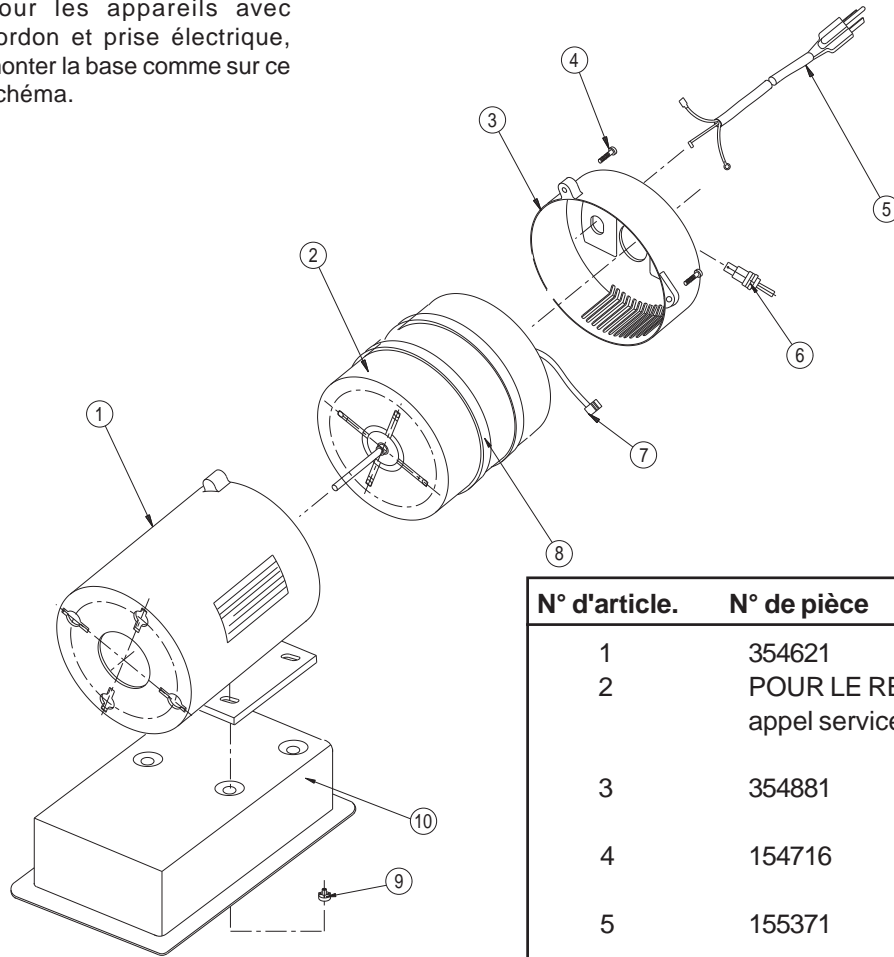
**NON PRÉSENTÉ**

79137800 Cordon-3 pieds de long, fiche standard 15 ampères

155234 Cordon-3 pieds de long, fiche verrouillable 15 ampères

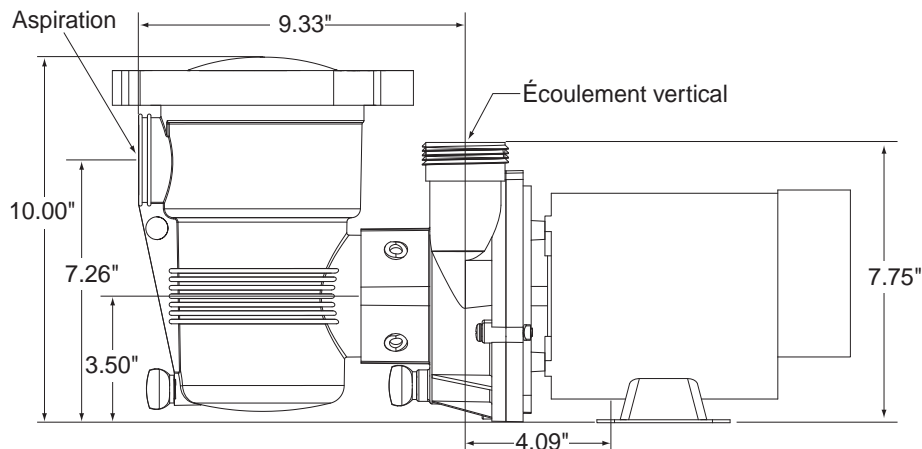
## PIÈCES DE RECHANGE (APPAREILS MONTÉS SUR BASE)

Pour les appareils avec cordon et prise électrique, monter la base comme sur ce schéma.

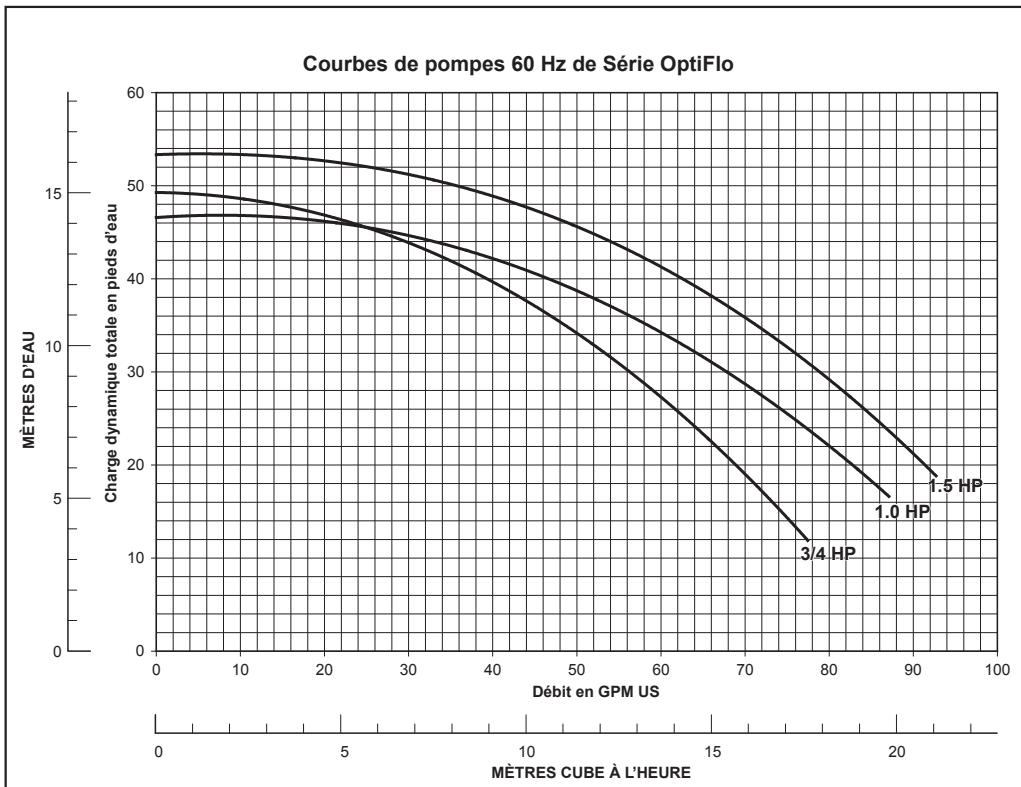
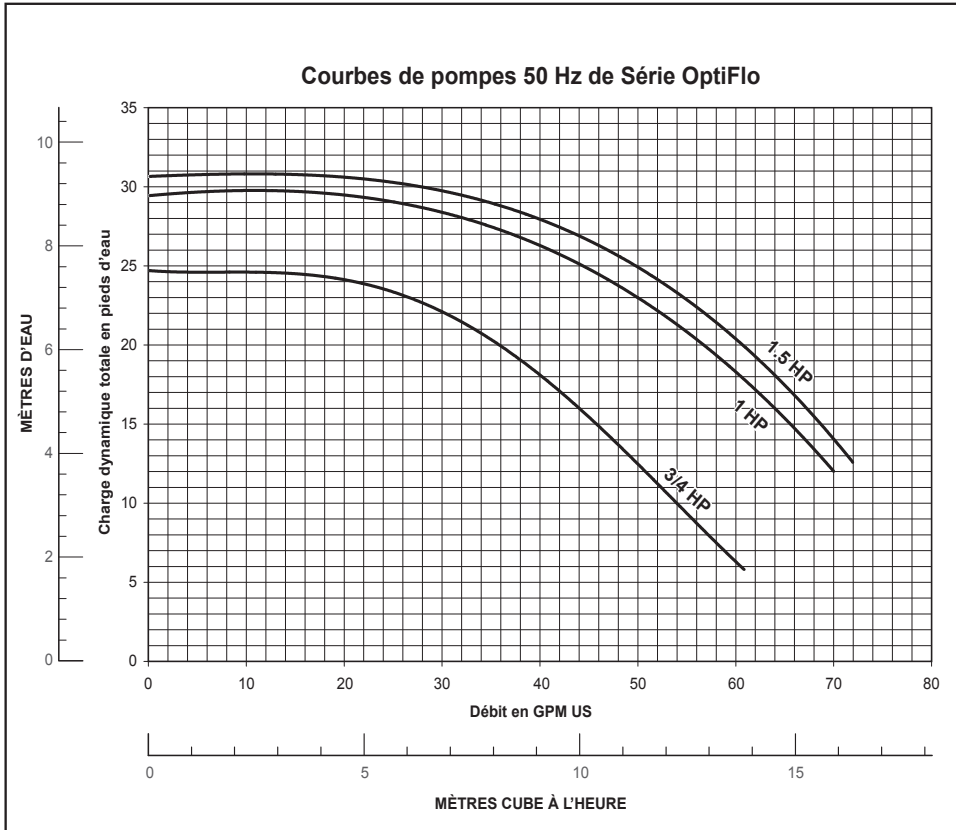


N° d'article.	N° de pièce	Description
1	354621	Carter
2	POUR LE REMPLACEMENT MOTEUR	appel service clientèle
3	354881	Embout, Carter moteur CSA. avec 3 Vis
4	154716	Visse auto taraudeuse HH #10, 3 requis
5	155371	Cordon d'alimentation électrique -25 pieds Calibre 16
6	155187	Commutateur Double Isolé
7	155193	Conn. Commutateur #16
8	354658	Mousse isolée avec dos adhésif
9	155109	Ecrou - Broche T4
10	153263	Base CSA 4 pouces de haut

## DONNÉES DIMENSIONNELLES



OptiFlo® Courbes de pompe





1620 HAWKINS AVE., SANFORD, NC 27330 • (919) 566-8000  
10951 WEST LOS ANGELES AVE., MOORPARK, CA 93021 • (805) 553-5000  
WWW.PENTAIRPOOL.COM

Tous les logos et marques de fabrique Pentair sont la propriété de Pentair, Inc. Pentair Aquatic Systems™ and OptiFlo® sont des marques de commerce déposées de Pentair Water Pool and Spa, Inc. et/ou de ses entreprises affiliées aux États-Unis et dans les autres pays. Sauf si cela est expressément indiqué, les noms et marques de tiers pouvant être utilisés dans ce document ne sont pas utilisés pour indiquer une affiliation ou un endossement entre les propriétaires de ces noms et des marques et Pentair Water Pool and Spa, Inc. Ces noms et marques peuvent être des marques de fabrique ou des marques de commerce déposées de ces tiers. Comme nous améliorons continuellement nos produits et services, Pentair se réserve le droit de modifier les spécifications sans préavis. Pentair est un employeur souscrivant au principe de l'égalité d'accès à l'emploi.

© 2012 Pentair Aquatic Systems. Tous droits réservés. Ce document pourra être modifié sans préavis.



P/N 152012 REV. B 9/24/12