

1.



Attach fill tube to float assembly...

Conecte llene tubo para flotar la asamblea
Attacher remplir le tube pour flotter l'assemblée

2.



... attach base of unit to fill tube/float assembly...

conecte base de unidad para llenar la asamblea de tubo/flota
attacher la base d'unité pour remplir l'assemblée de tube/flotteur

3.



...place small rocks or pea gravel into base of unit...

coloque pequeño grava de piedras o guisante en la base de unidad
placer de petits rochers ou le gravier de pois dans la base d'unité

4.



...attach top cover to base of unit/float assembly...

conecte cubierta superior para basarse de la asamblea de unidad/flota
attacher la première couverture pour baser d'assemblée d'unité/flotteur

5.



...attach to quality high-pressure garden hose (not included)

conecte a la calidad manguera de alta presión (no incluyó)

attacher au tuyau de jardin d'haute-pression de qualité (n'a pas inclus)

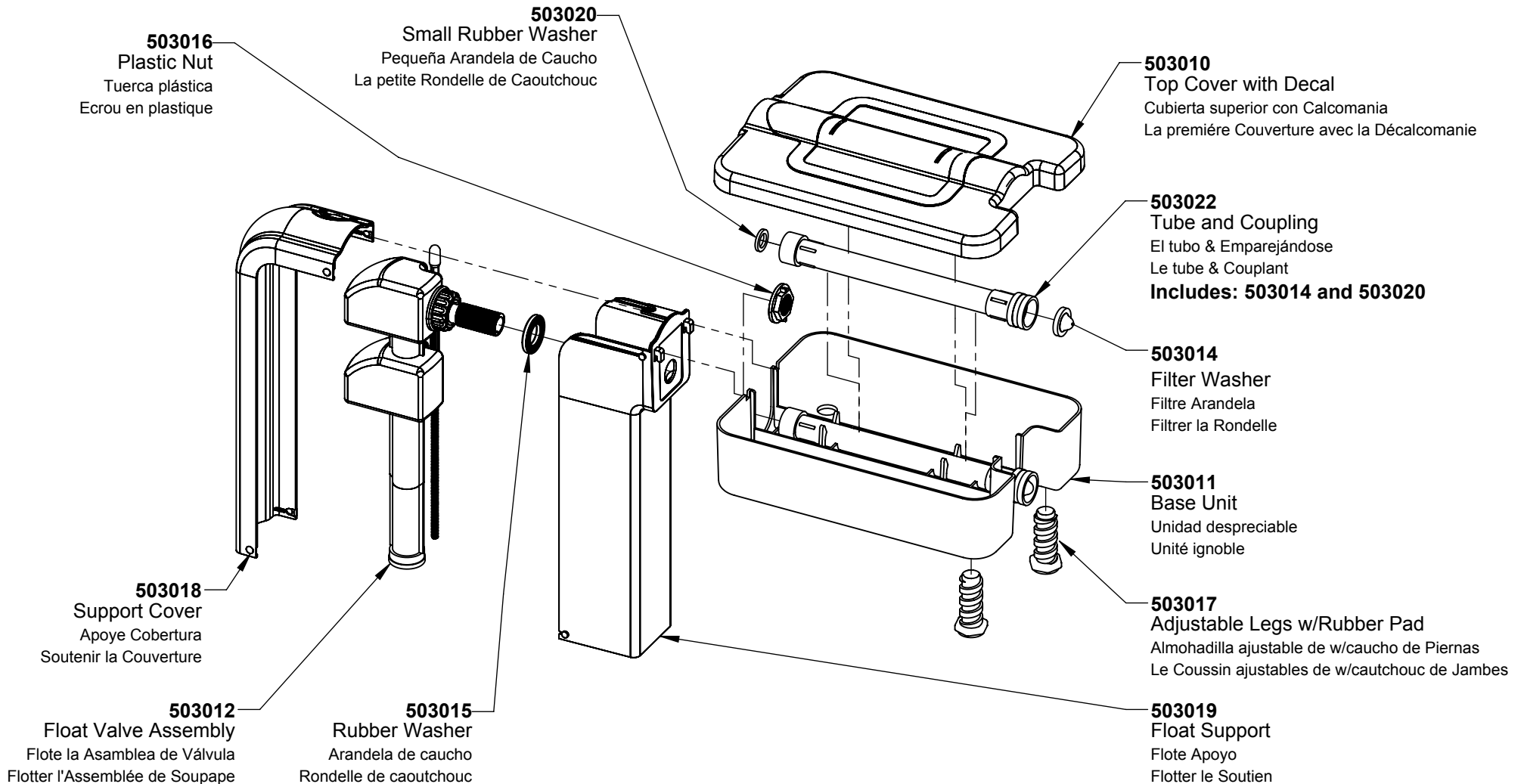
...turn adjustment knob to set float height

NEW PRODUCT LIMITED 12 MONTH WARRANTY

ROLA-CHEM CORPORATION • PARADISE INDUSTRIES, as manufacturer, warrants each The Pool Sentry™ unit delivered to the original consumer/purchaser to be free from defects in material and workmanship under the intended normal use as described in The Pool Sentry™ unit assembly and operating instructions enclosed with each unit, for a period of one year from the date of purchase.

During the warranty period ROLA-CHEM CORPORATION • PARADISE INDUSTRIES agrees to repair or, at its own option, replace the unit or any part of it without charge for labor or parts. **This warranty shall not apply if the unit is subjected to misuse, neglect or accident. DO NOT RETURN THIS PRODUCT TO STORE.** For warranty claims please call Rola-Chem Corporation • Paradise Industries at (800) 549-4473. Ask for the customer service department.

M3000 POOL SENTRY PARTS



Replacement parts can be ordered on the website listed.

ROLA-CHEM Corporation • PARADISE Industries

5858 Centerville Road • St. Paul, Minnesota 55127 • 651.653.5031 • 1.800.549.4473

FAX: 651.653.0989 • WEB: www.rola-chem.com • E-MAIL: info@rola-chem.com