

Twirlybyrd installation

GPM Guidelines

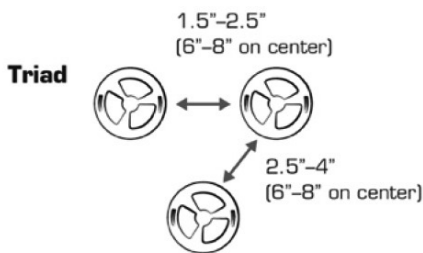
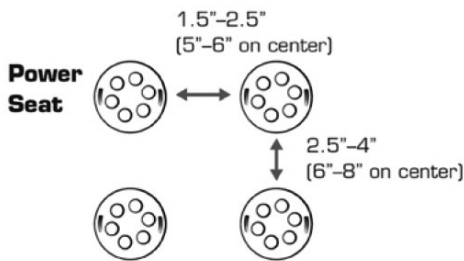


Sample Charts

Maximum Flow Rates for Sch. 40 PVC

PIPE SIZE:	1.5"	2"	2.5"	3"	3.5"	4"	5"	6"
SUCTION:								
Nominal	38	63	90	138	185	238	374	540
GPM @ 6 fps								
RETURN:								
Nominal	51	84	119	184	247	317	499	720
GPM @ 8 fps								

Custom Seat Layouts



**Note: Plumbing scenarios that differ from above table should be carefully considered to ensure they are within compliance

60' Feet of Head
3/8" orifice

4 Jets

Firm	Moderate
64-72 gpm	56-64 gpm
2.5" suction	2.5" suction
2" return	2" return
2hp	1.5hp

5 Jets

Firm	Moderate
80-90 gpm	70-80 gpm
3" suction	2.5" suction
2.5" return	2" return
2hp	2hp

6 Jets

Firm	Moderate
96-108 gpm	84-96 gpm
3" suction	3" suction
2.5" return	2.5" return
3hp	2hp

GPM Range
Firm = 16-18 gpm
Moderate = 14-16 gpm

**Table assumes a controlled environment. Contractors should install what is appropriate for the given project.

Remodel Tips

1. Because you may not be able to control flow rates with existing systems, we recommend installing all Deep Tissue faceplates first, then experiment with others as existing flow rates allow.
2. Consider installing a blower on the air line to assist with velocity and the power of your jets.
3. Many older spas have 6"-8" dam-walls and cannot accommodate the needed dimensions of Twirlybyrd jets. Attention to tight tolerances in spa walls is highly advised.

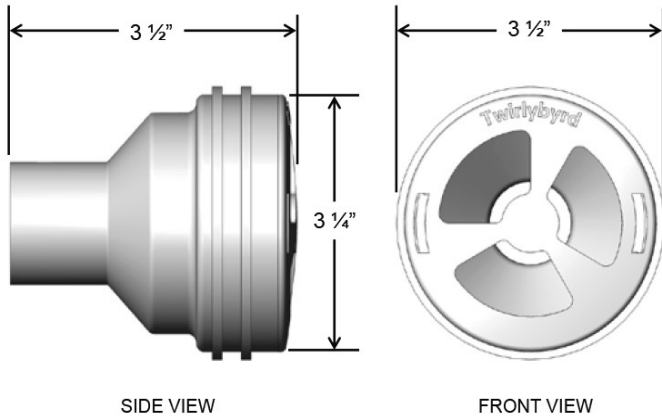
Available Colors

White Black Drk Grey Lt Grey Tan



004-027-8828-00 REV101315

Twirlybyrd installation



PLUMBING

FIG. 1

1" PVC PIPE STUB

CAP

1" AIR INJECTOR LOCATED BEHIND STEEL

STEEL

FOLLOW GPM GUIDELINES

- Install Air Injectors (Venturi Tees) **behind steel rebar**.
- Estimate needed length of 1" pipe stubs by thickness of wall.
- Cut pipe at least 4" longer than estimated and glue into Air Injector.
- Glue cap onto end of pipe for pressure testing.

GUNITE / SHOTCRETE

FIG. 2

4"

5"

NOTCH CONCRETE

- Notch concrete around each stub approximately 5" wide by 4" deep.

GLUE UP

FIG. 3

DECKING

COPING

GLUE

HOUSING

AVOID EXCESS GLUE

- Cut 1" stub and glue housing on pipe flush with anticipated interior finish. Make sure no excess glue settles in throat of housing.

INTERIOR FINISH

FIG. 4

INTERIOR POOL FINISH

THOROUGHLY CLEAN ANY PLASTER MATERIAL FROM HOUSING FACE

SPA RETURN

PLASTER CAP

GUNITE

- Leave cap locked in place until the very end of plaster installation. It is ok for housing to be recessed slightly and not flush.
- Completely install and remove a faceplate on each housing to ensure fit and function **prior** to material hardening and filling pool with water.

START UP

FIG. 5

DECKING

COPING

WATERLINE

TB FACEPLATE

1" STUD

HOUSING

- Install Faceplates using the hand tool by twisting clockwise to lock into place.