



3-WAY DIVERTER VALVE

SPECIFICATIONS:

Sizes: 1.5" - 2" Slip / 2" - 2.5" Spigot
 1.5" FPT x 2" Spigot
 Body: CPVC
 O-Rings: EPDM or NBR
 Rotor Gasket: Teflon Coated

Max Operating Pressure:

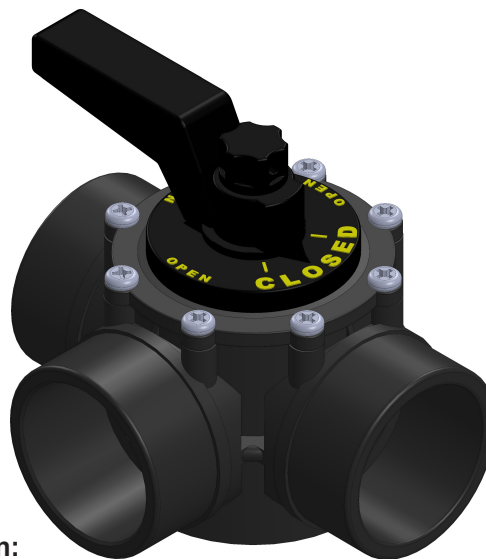
1.5": 50 PSI @ 73 F
 2": 50 PSI @ 73 F

Valve Ends:

-solvent cement socket

Features:

- permanently lubricated rotor seal
- extreme wear resistant rotor seal
- position locking
- universal shaft spline pattern adapts to most actuators
- all wetted materials are of NSF/ANSI 61 designation
- chlorine, acid and ozone resistant

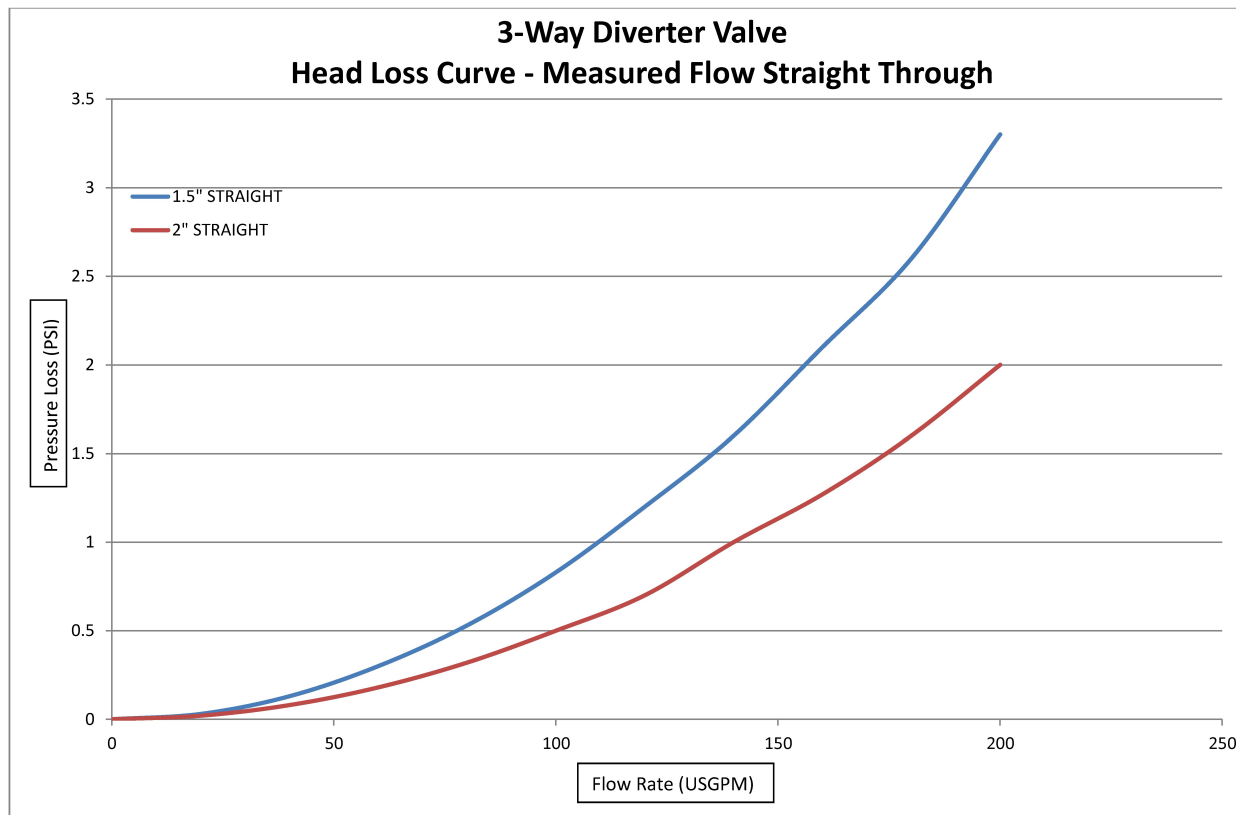


Sample Specification:

The Praher 3-Way Rotor Valves are available in sizes 1.5" & 2" slip. The unique design allows the 1.5" slip models to also allow for a 2" spigot connection and the 2" slip models to also allow for a 2.5" spigot connection. The position indicator plate gives operators a clear read out of the valve position. Tightening the handle knob allows you to lock the valve in a desired position. All O-rings shall be EPDM or NBR. Patented design US 6497250.

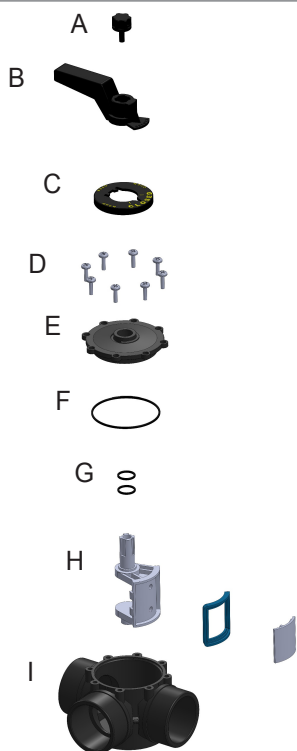
Cv Values

1.5": 110
 2": 142

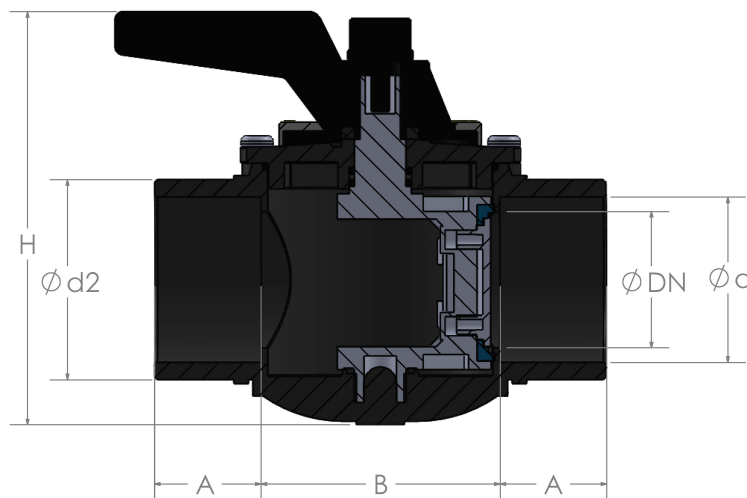
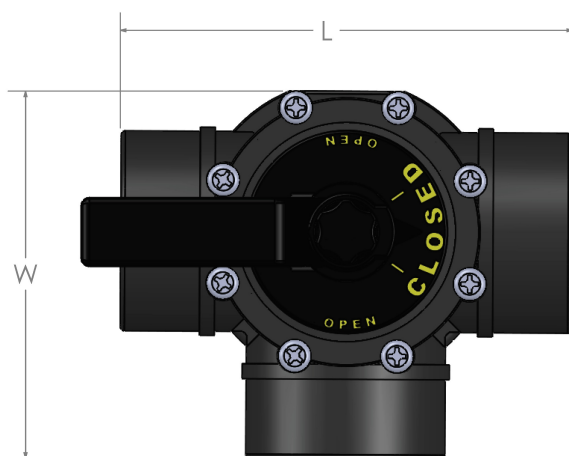




3-WAY DIVERTER VALVE



| ITEM | DESCRIPTION |
|------|--------------------|
| A | HANDLE KNOB |
| B | HANDLE |
| C | INDICATOR COVER |
| D | LID SCREWS |
| E | LID |
| F | LID O-RING |
| G | ROTOR STEM O-RINGS |
| H | ROTOR |
| I | BODY |



| MODEL | d | d2 | DN | A | B | H | L | W |
|----------|--------------|------|----|----------------|-----------------|----------------|----------------|----------------|
| OV3-1500 | 1.5" | 2" | 40 | 39mm 1.53" | 87.5mm 3.44" | 151mm 5.95" | 166mm 6.53" | 135mm 5.31" |
| OV3-1503 | 1.5" THRD | 2" | 40 | 39mm 1.53" | 87.5mm 3.44" | 151mm 5.95" | 166mm 6.53" | 135mm 5.31" |
| OV3-2010 | 2" | 2.5" | 50 | 35.5mm 1.4" | 95mm 3.74" | 151mm 5.95" | 166mm 6.53" | 135mm 5.31" |