



# DOUBLE UNION CLEAR CHECK VALVES

**SPECIFICATIONS:**

Sizes: 1.5" & 2"  
 Body Material: Transparent PVC  
 O-Rings and Check Seal: EPDM or Viton  
 Spring Material: 302 SS or Hastelloy-C

**Max Operating Pressure:**

1.5": 150 PSI @ 73 F  
 2": 150 PSI @ 73 F

**Valve Ends:**

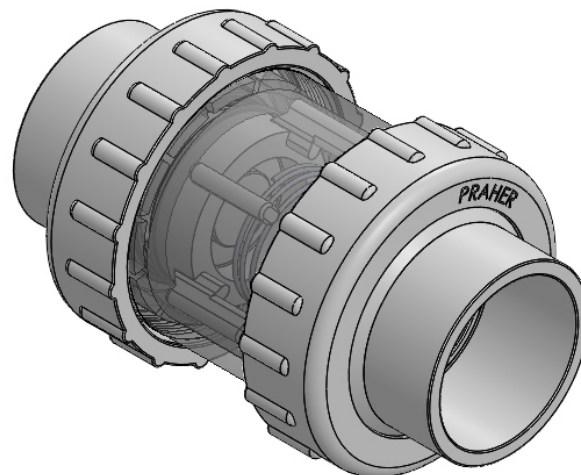
-Solvent Cement Socket (ASTM)

**Spring Loads:**

1/4 lb, 1/2 lb, 2 lb, 5lb, 10lb

**Features:**

- corrosion resistant (CR models)
- radial installation or removal
- low pressure loss
- suitable for high flow rates
- quick and exact closing and opening
- suitable for liquids with very low specific gravity



**Sample Specification:**

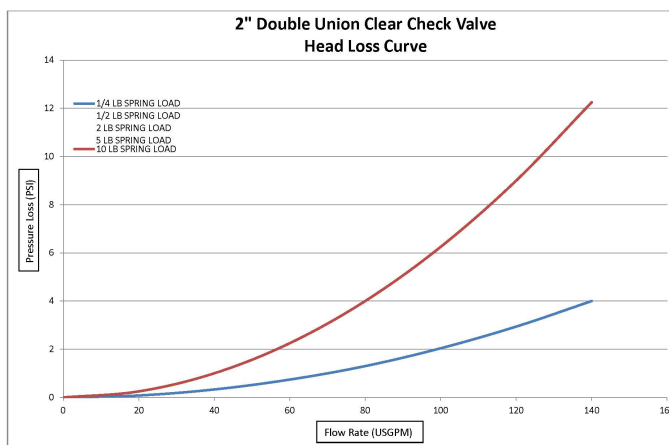
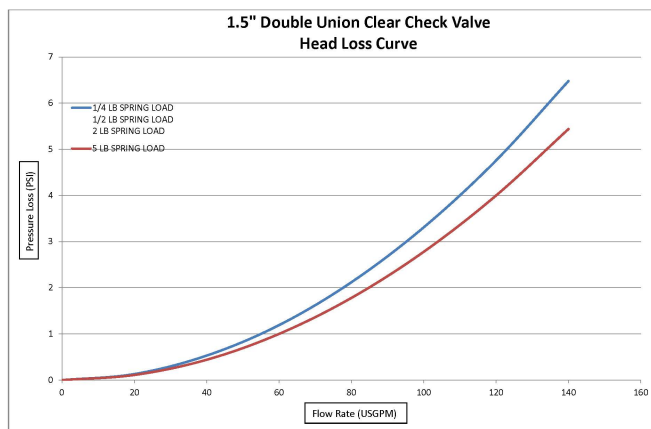
The Praher Double Union Clear Check Valves shall be of true union design, sizes 1.5" & 2". The internal spring loaded check design shall guarantee leak tight seating in extreme low pressure and vertical installations. Spring material shall be 302 stainless steel or Hastelloy-C. All O-rings and check seals shall be EPDM or VITON and shall meet NSF/ANSI 61 criteria. Union ends shall be interchangeable with Single Union ball valves. PVC shall be NSF/ANSI 61 listed and meet ASTM D1764-cell class 12454.

**1.5" Valve Flow Details**

Spring Load	Cv Value
1/4 lb	55 GPM
1/2 lb	55 GPM
2 lb	55 GPM
5 lb	60 GPM
10 lb	10 GPM

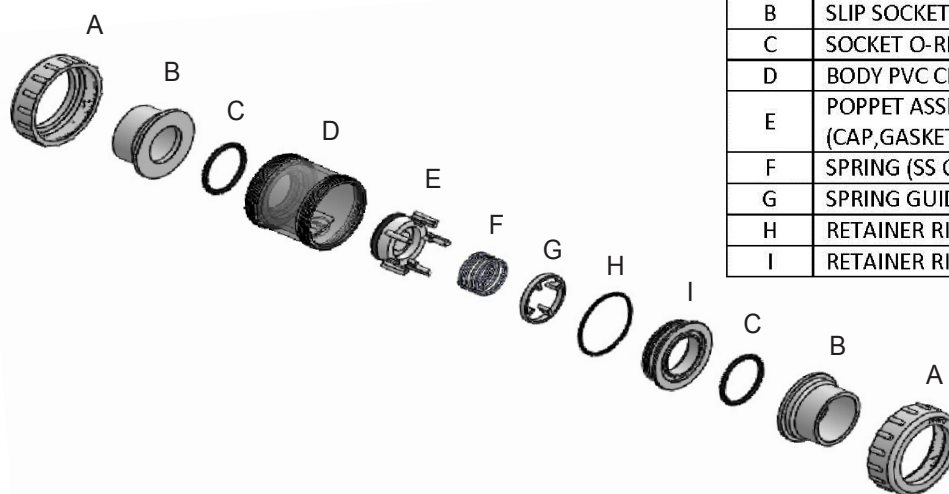
**2" Valve Flow Details**

Spring Load	Cv Value
1/4 lb	70 GPM
1/2 lb	70 GPM
2 lb	70 GPM
5 lb	70 GPM
10 lb	40 GPM

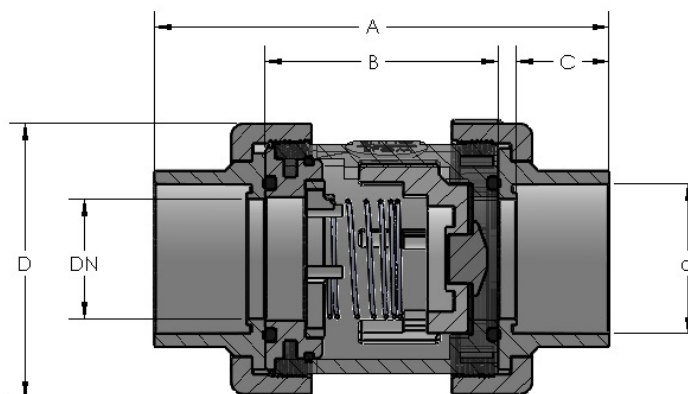




# DOUBLE UNION CLEAR CHECK VALVES



ITEM	DESCRIPTION
A	NUT PVC WHITE
B	SLIP SOCKET PVC WHITE
C	SOCKET O-RING (EPDM OR VITON)
D	BODY PVC CLEAR
E	POPPET ASSEMBLY PVC WHITE (CAP,GASKET,POPPET BODY)
F	SPRING (SS OR HASTELLOY-C)
G	SPRING GUIDE PVC WHITE
H	RETAINER RING O-RING (EPDM OR VITON)
I	RETAINER RING PVC CLEAR



Size (inch)	d (mm)	DN (mm)	A	B	C	D
1.5"	50	40	156mm 6.14"	78.50mm 3.09"	32mm 1.26"	94mm 3.70"
2"	63	50	185mm 7.28"	95mm 3.74"	37.5mm 1.47"	113mm 4.45"