



# SINGLE UNION BALL VALVES

**SPECIFICATIONS:**

Sizes: 1.5" & 2"  
 Body & Socket: PVC  
 O-Rings: EPDM or NBR  
 Ball Seats: Polyethylene

**Max Operating Pressure:**

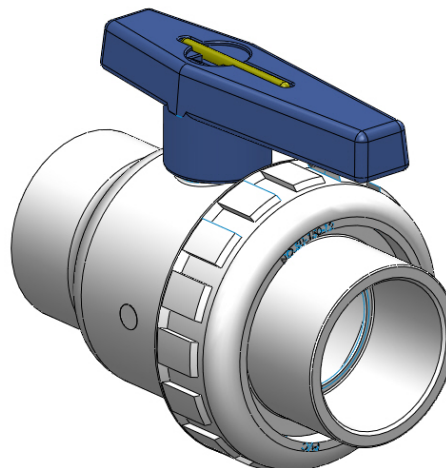
1.5": 150 PSI @ 73 F  
 2": 150 PSI @ 73 F

**Valve Ends:**

- solvent cement socket
- threaded
- hose barb

**Features:**

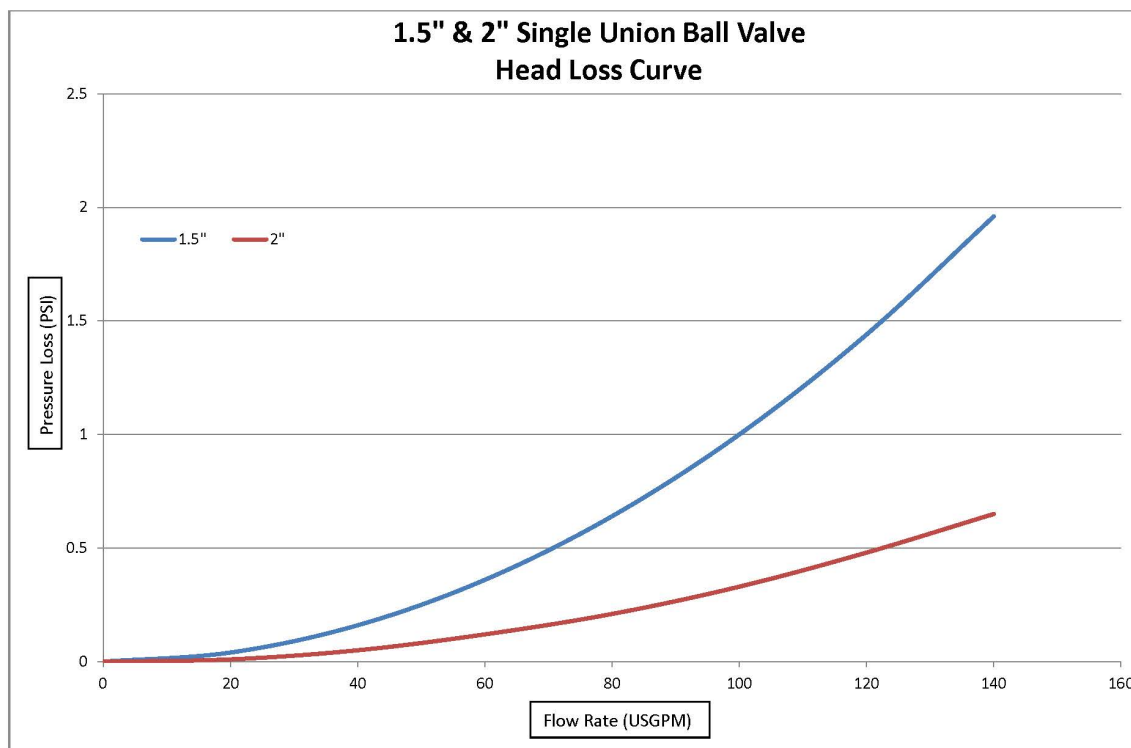
- unique pinned single union design
- union nut load does not transfer to ball
- valve internals will not blow out if union nut is removed
- quick and exact closing and opening



**Sample Specification:**

The Praher Single Union Ball Valves are available in sizes 1.5" & 2". The unique pinned design allows for easy rotation, even if the valve has not operated for a long period of time. The nut load does not transfer onto the ball and the pinned design allows the nut to be removed without having the valve internals blow out. All O-rings shall be EPDM or NBR. Union ends shall be interchangeable with Single/Double Union Check Valves. PVC shall be NSF/ANSI 61 listed and meet ASTM D1764-cell class 12454.

**1.5" & 2" Single Union Ball Valve Head Loss Curve**

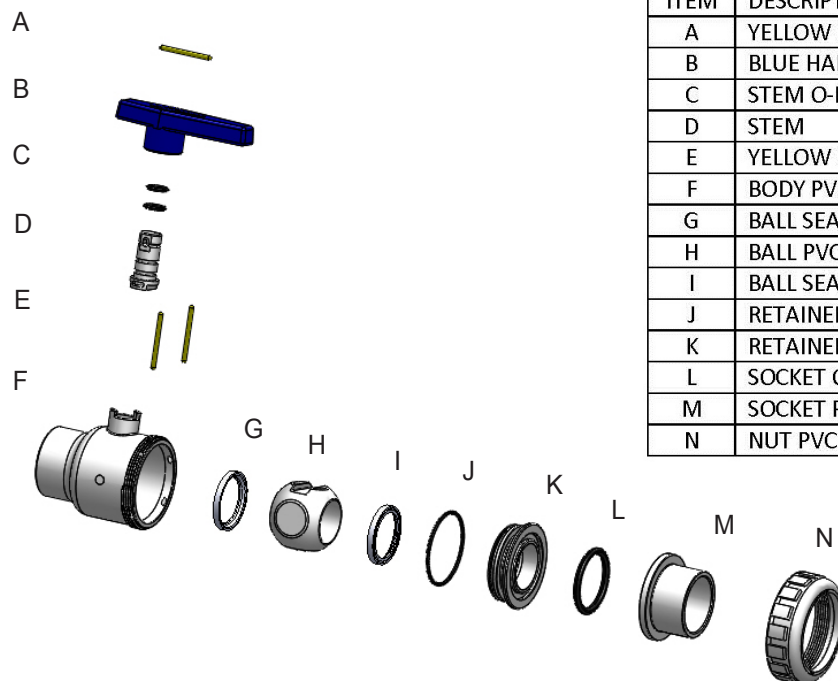


**Cv Values**

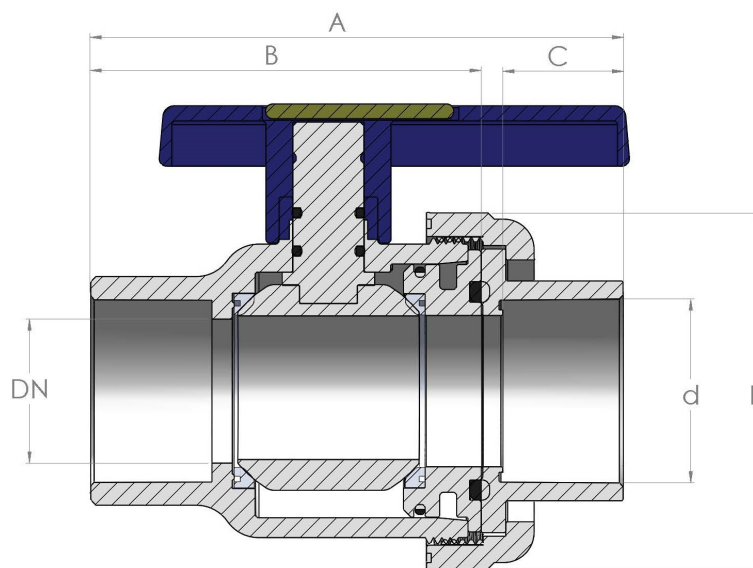
1.5": 100  
 2": 174



# SINGLE UNION BALL VALVES



ITEM	DESCRIPTION
A	YELLOW PIN
B	BLUE HANDLE
C	STEM O-RINGS (EPDM OR NBR)
D	STEM
E	YELLOW PINS
F	BODY PVC WHITE
G	BALL SEAT
H	BALL PVC WHITE
I	BALL SEAT
J	RETAINER RING O-RING (EPDM OR NBR)
K	RETAINER RING PVC WHITE
L	SOCKET O-RING (EPDM OR NBR)
M	SOCKET PVC WHITE
N	NUT PVC WHITE



Size (inch)	d (mm)	DN (mm)	A	B	C	D
1.5"	50	40	145mm 5.71"	105mm 4.13"	32mm 1.26"	94mm 3.70"
2"	63	50	178mm 7"	134mm 5.28"	37.5mm 1.47"	113mm 4.45"