



NEMA: 5-15P



5266-C

Description

15 Amp, 125 Volt, NEMA 5-15P, 2P, 3W, Plug, Straight Blade, Industrial Grade, Grounding, - Black-White

Product Features

Grounding: Grounding

Amperage: 15 Amp

Voltage: 125 Volt

NEMA: 5-15P

Pole: 2

Wire: 3

Cord Range: .245 - .700

Wire Gauge: 18-10 AWG

Blades/Contacts: Solid Brass

Body Material: Super Tough Nylon

Assembly Screws: Steel, Zinc Plated

Color: Black-White

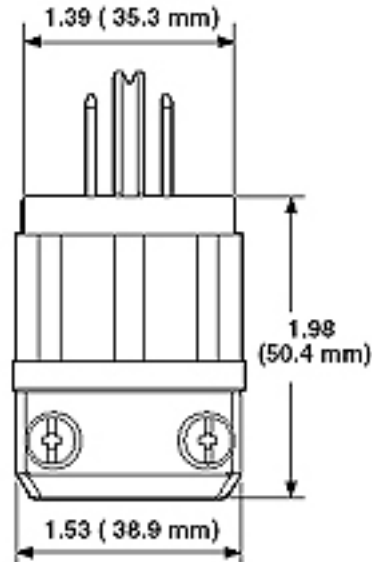
Standards and Certifications: UL/CSA

Warranty: Lifetime Warranty

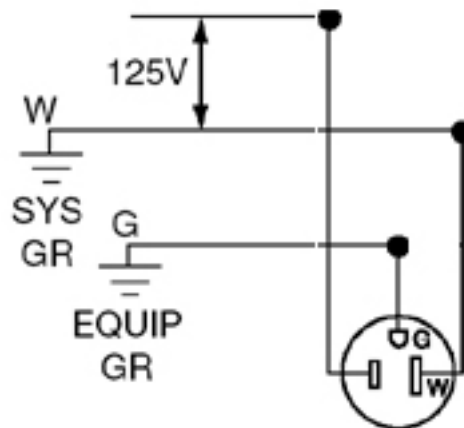
Features and Benefits

- Leviton's nylon plugs are superior in design detail and manufacture. They are made to resist impact, punishing application environments, chemicals and the elements, resulting in superior performance and long-lasting reliability.
- Cord clamps seats flush with body for all cables rated from 10-3 ST to 18-3 SVT (.245"-.700")
- Clamp prevents damage to jacket on any cable used within rated range
- Cord clamp does not have to be disassembled from body for wiring- easy to tighten and no lost screws to find. Accepts all wire mesh strain reliefs.
- NEMA configuration and Cat. No. printed on cord clamp
- NEMA configuration and rating molded on front. Listed to UL and Federal specifications, CSA certified where applicable
- All-nylon dead front. Heavy, solid brass blades held tightly in individual module configurations
- Three fast-threading screws secure wiring module to body - combination Phillips and straight blade screws
- Wire clamps move in individual chamber - provide positive crimp lock without cutting wire strand
- Individual deep-funnelled rectangular-shaped chamfered wire wells. Clear housing allows inspection of wire termination and provides molded-in wire strip gage
- Captive, color-coded brass #8 terminal screws
- Husk is constructed of ST801 Super Tough Nylon for superior impact resistance in rugged environments
- Beveled back edges prevent body from catching on corners and rough surfaces
- Complete-containment design insulates non-current carrying parts
- Fluted body design provides a sure grip
- Backed by a Limited 10-Year Warranty

Dimensional Diagram



Wiring Diagram



5-15R

SPECIFICATION SUBMITTAL

JOB NAME: <input type="text"/>	CATALOG NUMBERS: <input type="text"/>	<input type="text"/>
JOB NUMBER: <input type="text"/>	<input type="text"/>	<input type="text"/>

Leviton Manufacturing Co., Inc.

59-25 Little Neck Parkway, Little Neck, NY 11362-2591

Telephone: 1-800-323-8920 · FAX: 1-800-832-9538 · Tech Line (8:30AM-7:30PM E.S.T. Monday-Friday): 1-800-824-3005

Leviton Manufacturing of Canada, Ltd.

165 Hymus Boulevard, Pointe Claire, Quebec H9R 1E9 · Telephone: 1-800-469-7890 · FAX: 1-800-824-3005

Leviton S. de R.L. de C.V.

Lago Tana 43, Mexico DF, Mexico CP 11290 · Tel.: (+52)55-5082-1040 · FAX: (+52)5386-1797 · www.leviton.com.mx

Visit our Website at: www.leviton.com

©2007 Leviton Manufacturing Co., Inc. All rights reserved. Subject to change without notice.

