

# MVB<sup>®</sup>

## POOL HEATER



VERSA IC<sup>®</sup> WITH  
**RAYMOTE<sup>™</sup>**

VENTING  
**VERSATILITY**

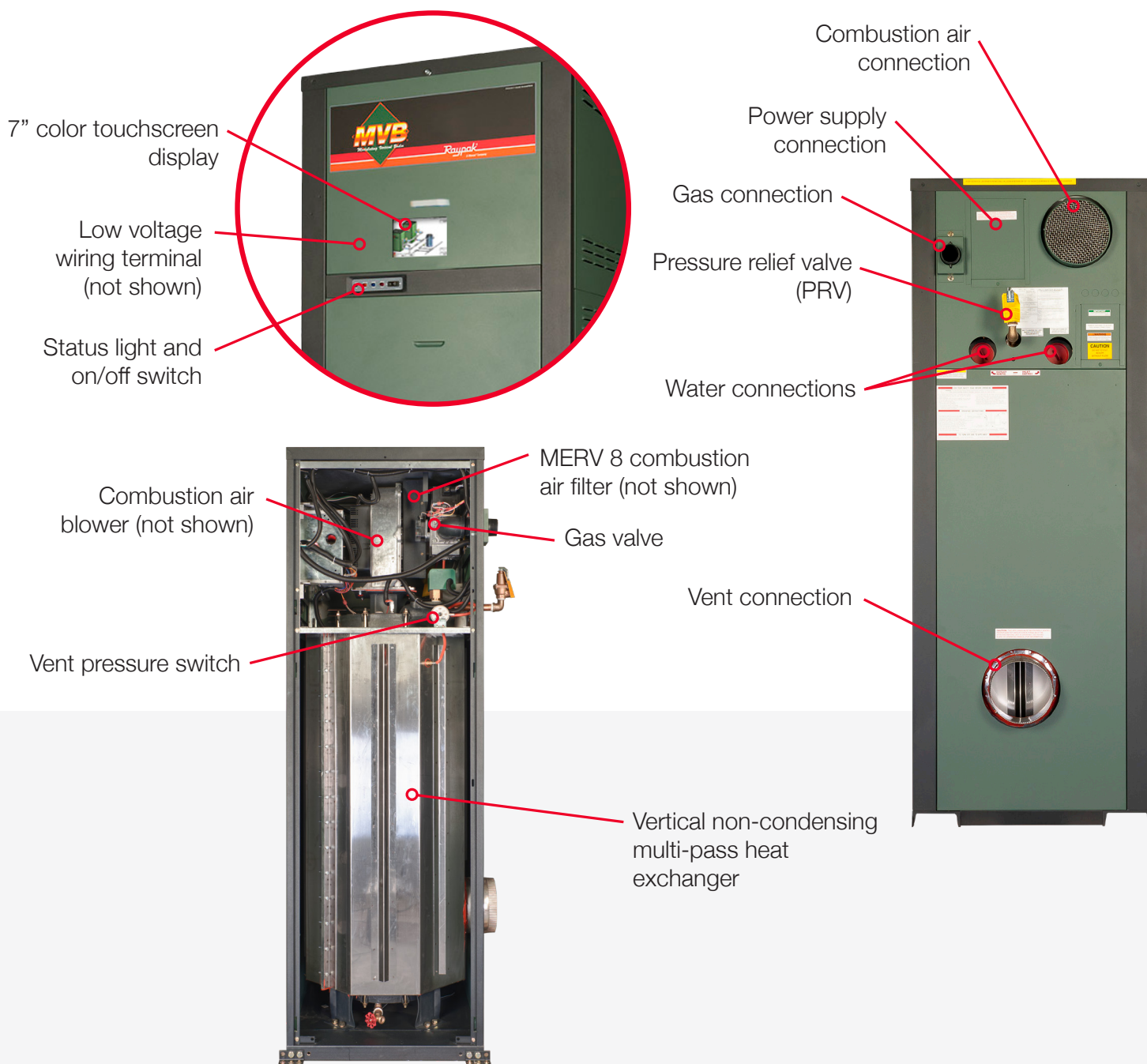
COMPACT  
**DESIGN**

**Raypak<sup>®</sup>**  
A Rheem<sup>®</sup> Company

# ENGINEERED TO PERFORM.

## Modulating vertical pool heater with venting flexibility.

The MVB pool heater provides installation flexibility, ease-of-commissioning, reliability and long-term performance. The vertical design allows for the MVB's small footprint, making it the perfect solution for small spaces and retrofit projects. Cupronickel, finned water tube heat exchanger construction allows for easy maintenance and serviceability.





# BUILT TO LAST.

## VERSA IC intelligence with Raymote connectivity.

Raypak's VERSA IC combines modulating temperature control, safety limits, and ignition programming into one user-friendly integrated control platform. With self-learning features that prevent equipment damage, this automated controller is easy to set-up, understand, and use, making it as close to plug and play as possible.

The VERSA IC system can be remotely monitored through the Raymote mobile app or web dashboard. With touch-of-a-button access to vital information, Raymote gives you:

- Real time service notifications to keep you informed.
- View and manage your Raypak systems at multiple sites.
- Instant visibility to historical data and performance reports.

1 year of Raymote service included.

Raymote retrofit kits available for installed products with the VERSA IC touchscreen.

# Raymote™



### Indoor or Outdoor

Safety certified for indoor/outdoor installation. Heavy gauge galvanized steel with a UV-resistant powder coat finish is impervious to weather and corrosion making for a practical solution to pool heating.

### Easy to Vent

The MVB Pool Heater operate under Category I or III venting. Flue exhaust can be vented veridically or horizontal and combustion air can be pulled in from the heater's surrounding air or by direct venting from outside the building.



### Small Footprint

Compact design makes the MVB the perfect choice for small spaces and an ideal option for hard to reach retrofit projects. Footprint is 5.4 ft<sup>2</sup> for 500M – 2MM BTUH.

### Easy To Connect

The MVB high voltage wiring terminals are located on the rear of the heater on the rear of the heater. All incoming line voltage and pump wiring are contained away from the 24V control wiring. Wiring the heater is simple and straight forward.



### Maximum Performance

Reduce operating costs and heat your water quicker with MVB 83-83.3% thermal efficiency. Enhance your capability and flexibility. Up to 8 heaters can be cascaded along with interstage delay settings giving you precise control and optimization of your pool heater system.<sup>1</sup>

### Cold Water Run System

The MVB can be equipped with the Cold Water Run (CWR) system, which provide protection against condensation in the non-condensing heat exchanger and maintain optimum inlet temperatures. CWR system utilizes a variable-speed pump to inject just the right amount of water from the main system loop into the heater to maintain the optimum inlet temperature.

<sup>1</sup> Parallel modulation mode only applies for hydronics (H models).

Learn more at [raypak.com](http://raypak.com)



# MVB - Type P Models 504A - 2004A

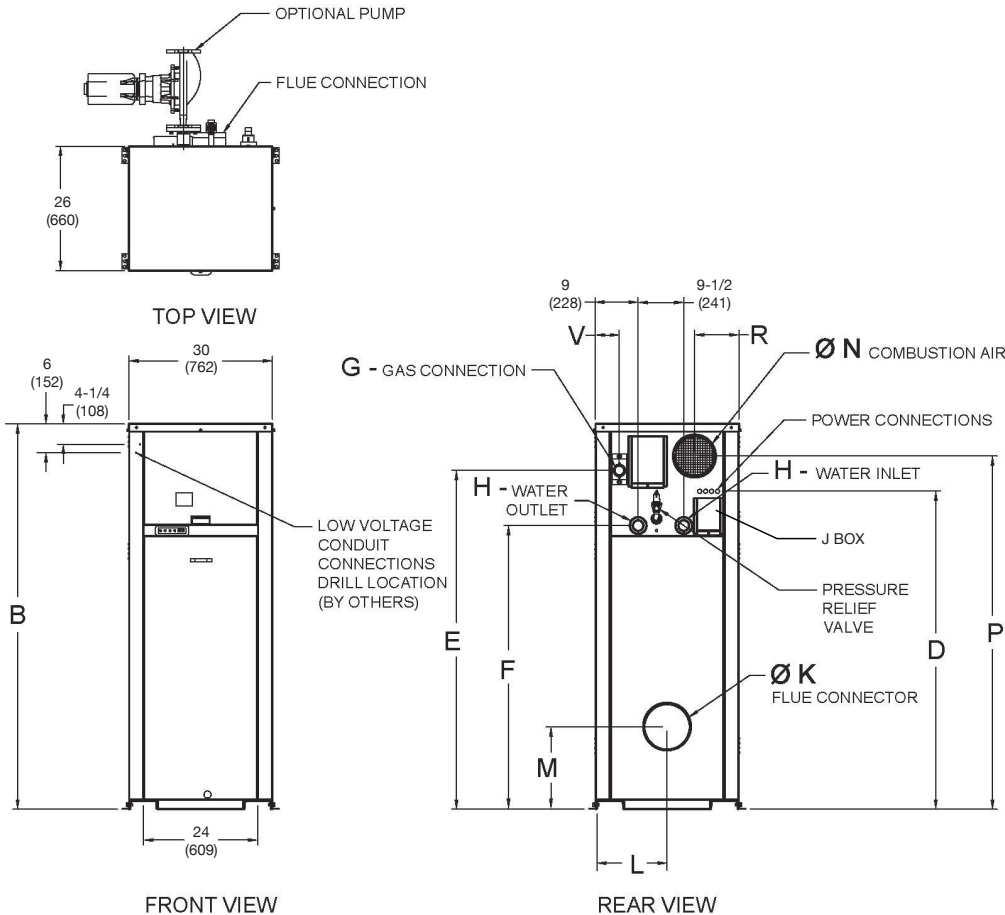
Model	MBTUH (kW/h)		Dimensions in. (mm)													Shipping Weight lbs. (Kg)	Amps <sup>2</sup> w/Pump
	Input	Output	B Height	D	E	F	G NPT <sup>1</sup>	H NPT	K Flue ø	L	M	N C/A ø	P	R	V		
504A	500 (147)	415 (122)	43 (1092)	32 (813)	35 (889)	23-3/4 (603)	1 (25)	2 (51)	8 (203)	13-3/4 (349)	13-3/4 (349)	6 (152)	35 (889)	6 (152)	2 (51)	600 (272.1)	<12
754A	750 (220)	623 (183)	49 (1245)	38 (965)	41 (1041)	29-3/4 (756)	1 (25)	2 (51)	10 (254)	13-1/2 (343)	13-1/2 (343)	6 (152)	41 (1041)	6 (152)	2 (51)	660 (299.3)	<12
1104A	1100 (322)	916 (268)	55 (1397)	44 (1118)	47 (1194)	35-3/4 (908)	1-1/4 (32)	2-1/2 (64)	10 (254)	13-1/2 (343)	13-1/2 (343)	6 (152)	47 (1194)	6 (152)	2 (51)	720 (326.5)	<12
1504A	1500 (440)	1250 (366)	61 (1549)	50 (1270)	53 (1346)	41-3/4 (1060)	1-1/4 (32)	2-1/2 (64)	12 (305)	13-3/4 (349)	13-3/4 (349)	8 (203)	53 (1346)	6 (152)	2 (51)	780 (353.7)	<12
2004A	1999 (586)	1583 (464)	75 (1905)	62 (1575)	65 (1651)	53-3/4 (1365)	2 (51)	2-1/2 (64)	14 (356)	13-1/2 (343)	13-1/2 (343)	8 (203)	68 (1727)	9 (229)	5 (127)	940 (426.3)	<18

Ratings shown are for elevations up to 4,500 feet. For installations at elevations. De-rate above 4,500 ft; consult factory. No hardware changes required below 10,000 feet.

<sup>1</sup> For Natural Gas. For Propane, all sizes are 1" (25 mm) NPT.

<sup>2</sup> Current draw is for heater only. (Supply breaker must have delayed trip.)

For direct vent applications, contact the factory about relocating the pump.



Heater Side	Clearances in. (mm)	
	Minimum Clearances from Combustible Surfaces	Minimum Service Clearance
Front	24 (610)	24 (610)
Rear	12 (305)	24 (610)
Right side	1 (25)	24 (610)
Left side	1 (25)	24 (610)
Top	0	10 (254)
Floor	0	0
Vent	1 (25)	1 (25)

Model	With H-Bypass		
	Pump		
	Model	HP	Amps <sup>3</sup>
504A	1611	1/4	6
754A	1611	1/4	6
1104A	1630	1/2	7
1504A	1634	1	14
2004A	1636	1-1/2	22

<sup>3</sup> Current draw is for heater only. (Supply breaker must have delayed trip.)

www.raypak.com

2151 Eastman Avenue | Oxnard, CA 93030 | 805-278-5300

Litho in U.S.A. ©2020 Raypak, Inc. 6000.28 Effective 12-01-20 Replaces NEW