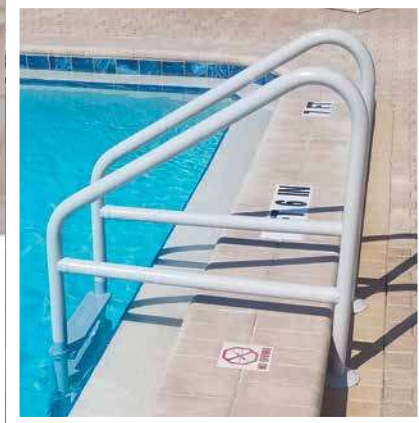


SÅFTRON

Commercial Pool, Spa and Accessories

Not All Rails Are Created Equal!



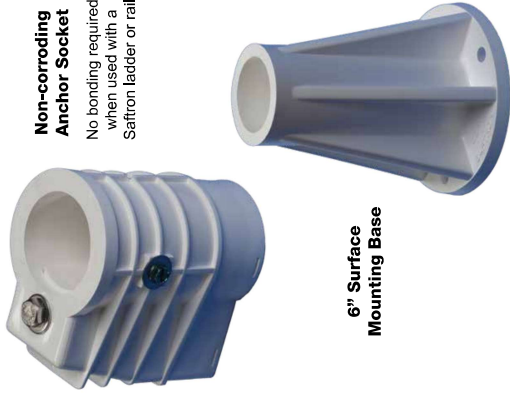
Say "Goodbye" to Rust Forever!

No Bonding/Grounding Required! Recommended For Salt Water Pools!

Advantages:

- Bonding / Grounding Not Required
- Industry Standard Designs and Sizes
- Superior Rigidity, Strength and Durability
- Best Choice for Salt-Chlorinated Pools
- Does NOT Get Hot in the Sun
- No Rusting, Scaling, Pitting or Fading
- Impervious to Pool Chemicals
- 5 Year Warranty on Pool Rails and Ladders
- 10 Year Warranty on Pool Fencing and Safety Railing
- Smooth, Glossy, Easy to Clean Surface

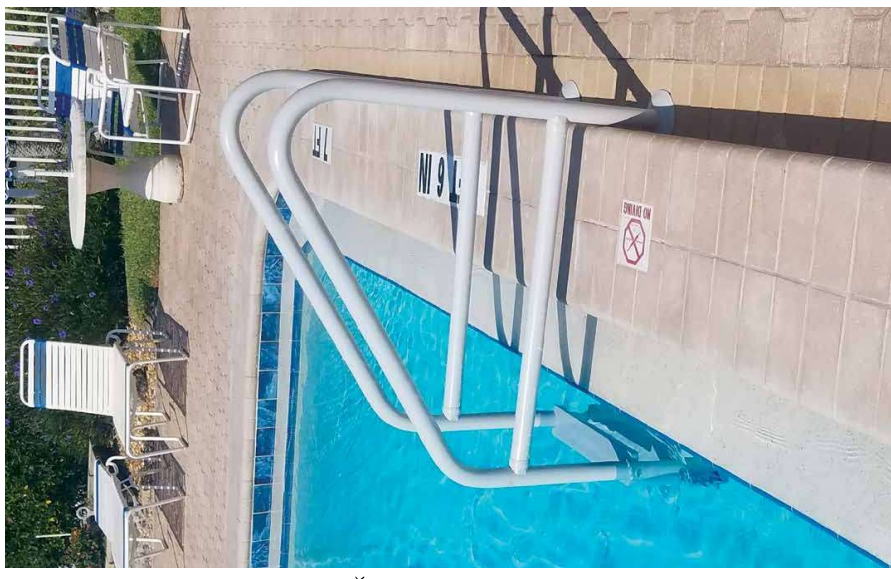
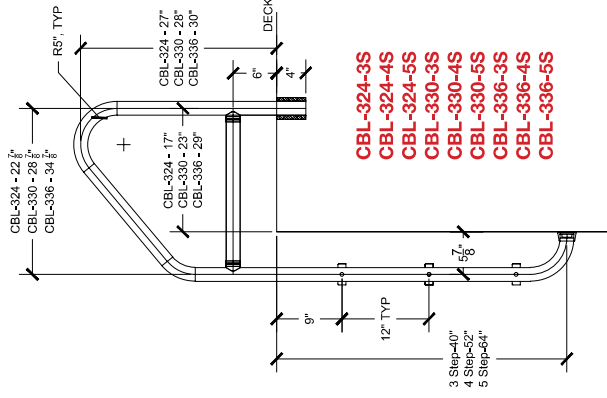
Installation Options for Pool and Spa Rails, Handrails, Deck Rails, Dock Ladders



Available in 6 Standard Colors



Cross Braced Ladders (3, 4 & 5 Step)



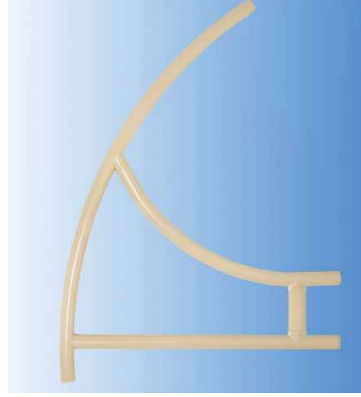
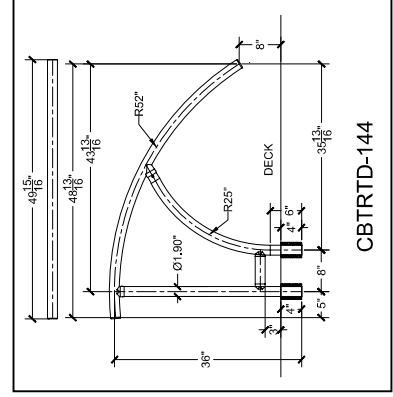
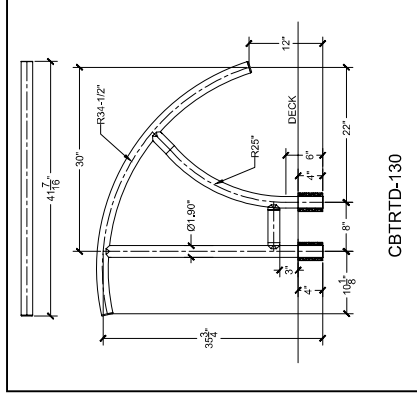
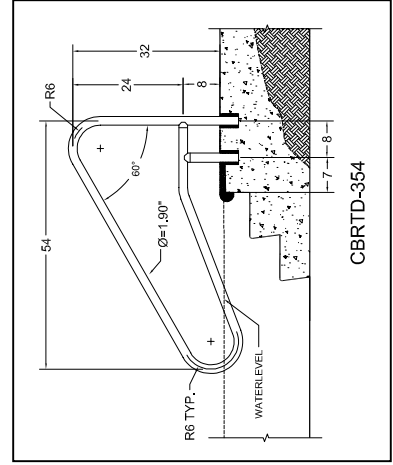
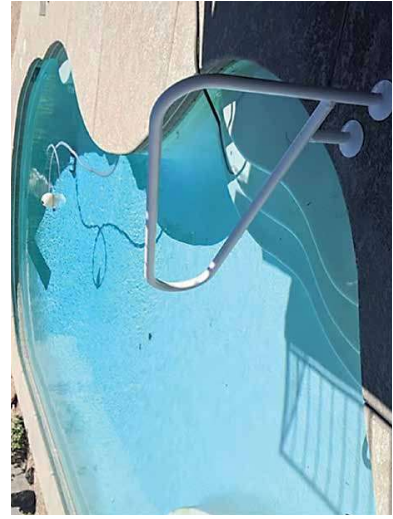
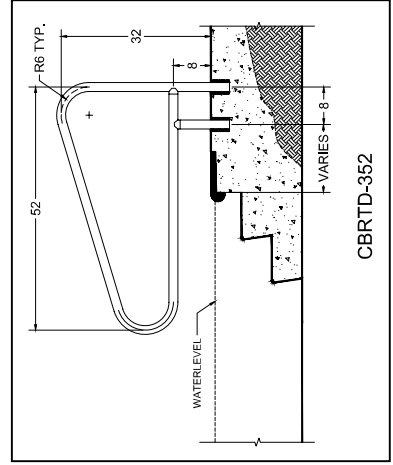
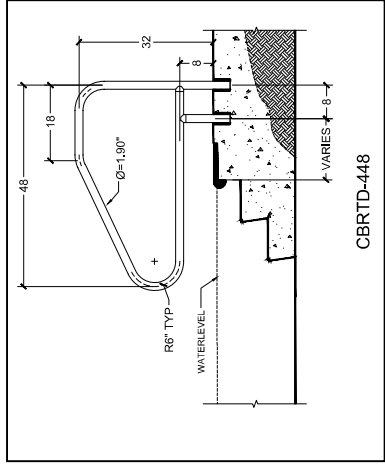
Custom Cross-Braced Ladders Available in Different Sizes.

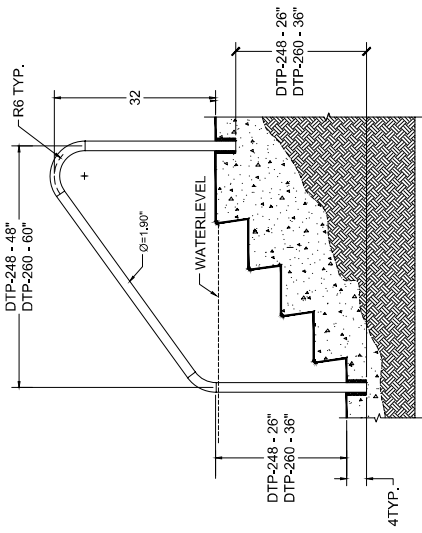
For quotes on custom commercial cross-braced ladders, please visit www.saftron.com, click on resources then pool rails and complete form.

Cross-Braced Return-To-Deck Pool Rails



Triton Cross-Braced Return-To-Deck Pool Rails



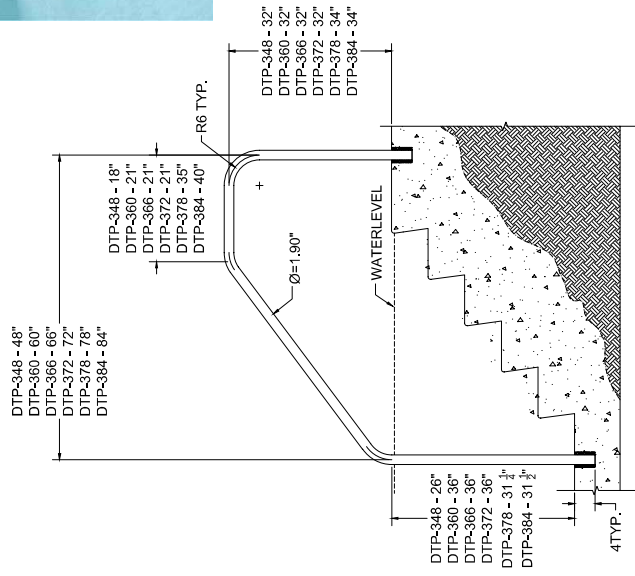


DTP-2 BEND

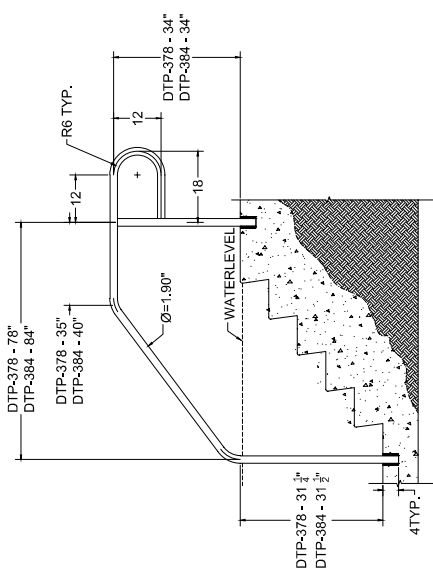


Custom Sizes Available

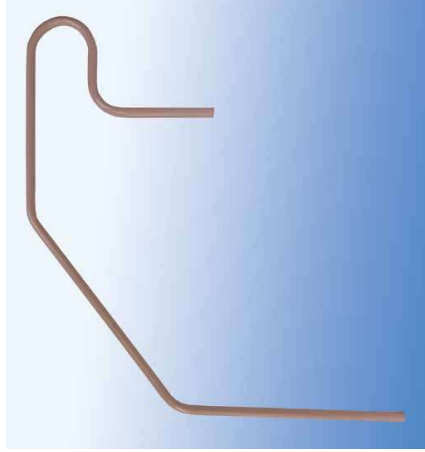
For quotes on custom rails,
please visit www.saftron.com,
click on Resources then pool rails
and complete form



DTP-3 BEND

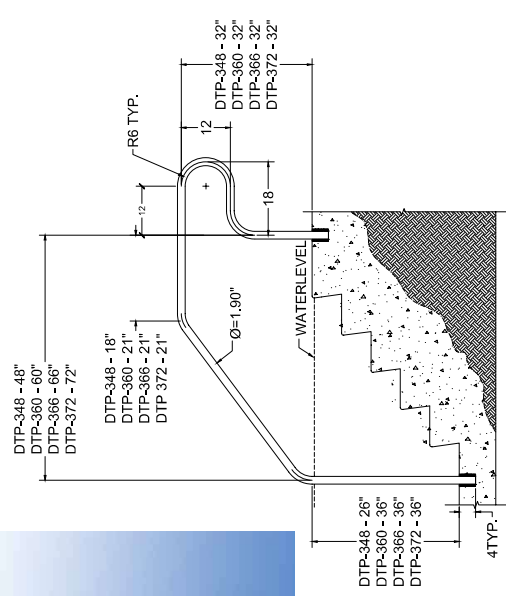


ADA DTP-3 BEND



Custom Sizes Available

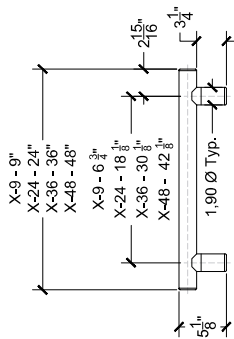
For quotes on custom rails,
please visit www.saftron.com,
click on Resources then pool rails
and complete form



ADA DTP-3 BEND

Exercise Bars

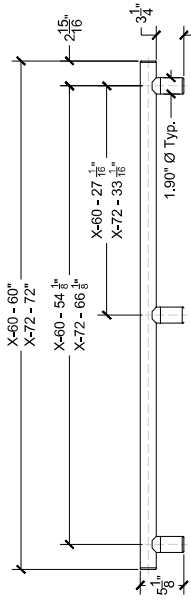
Ideal for Therapy Pools



2 POST EXERCISE BAR

1.90 OD Safety Exercise Bars

- 09" Bar X-09 (Pr) X-48 X-60
- 24" Bar X-24 X-60 X-72
- 36" Bar X-36 X-72 X-72



3 POST EXERCISE BARS

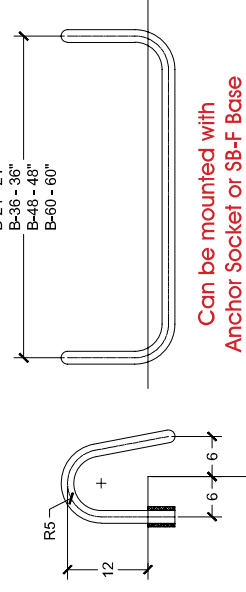
Deck Mounted Therapy Bars

1.90 OD

- 24" Bar DMT-24 48" Bar DMT-48
- 36" Bar DMT-36 60" Bar DMT-60



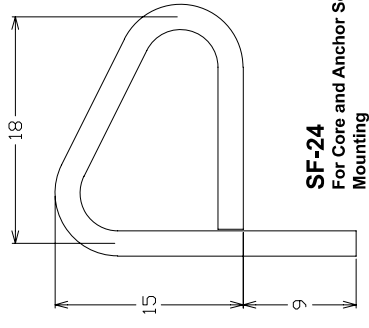
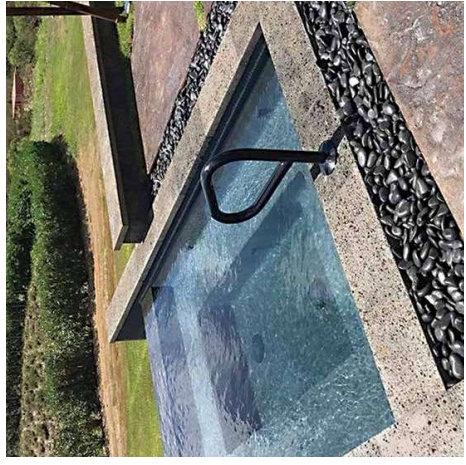
Custom Sizes Available
For quotes on custom rails, please visit www.saftron.com, click on Resources then pool rails and complete form



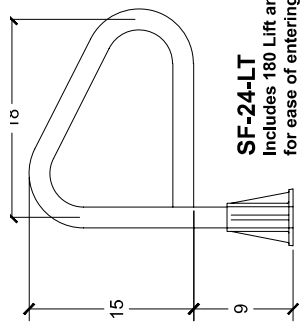
Can be mounted with Anchor Socket or SB-F Base
Optional Anchor Socket Cover available when removed

Saftron

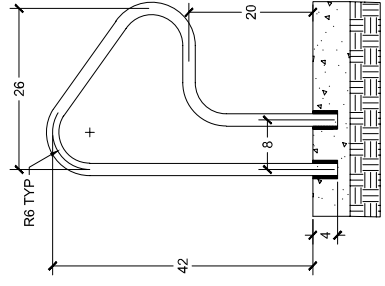
Spa Rails



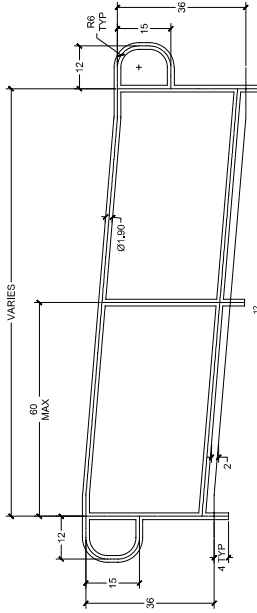
SF-24
For Core and Anchor Socket Mounting



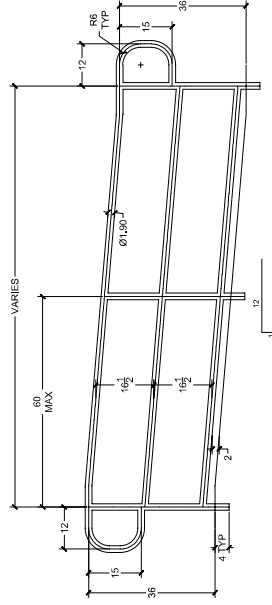
SF-24-LT
Includes 180 Lift and Turn Base for ease of entering & exiting



S-326
Double Post Spa Rail



2 RAIL ADA RAMP RAIL
CAN ALSO LEVEL OUT TO POST W/IT NO P-LOOP

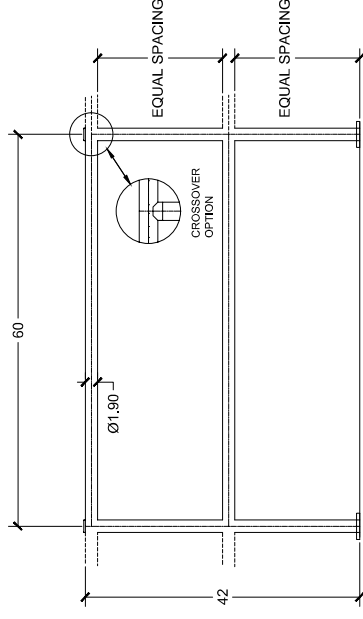


3 RAIL ADA RAMP RAIL
CAN ALSO LEVEL OUT TO POST W/IT NO P-LOOP

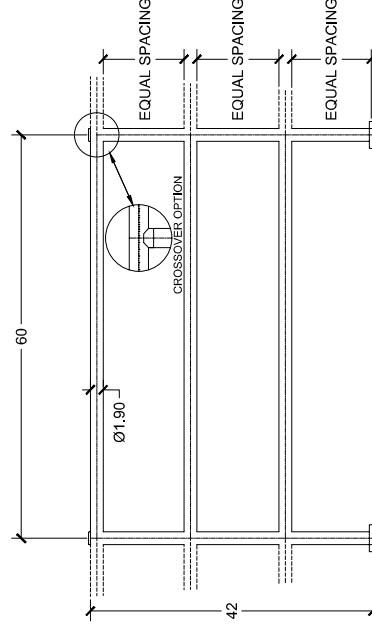


Custom Sizes Available
based on customer supplied drawing

Custom Sizes Available
based on customer supplied drawing



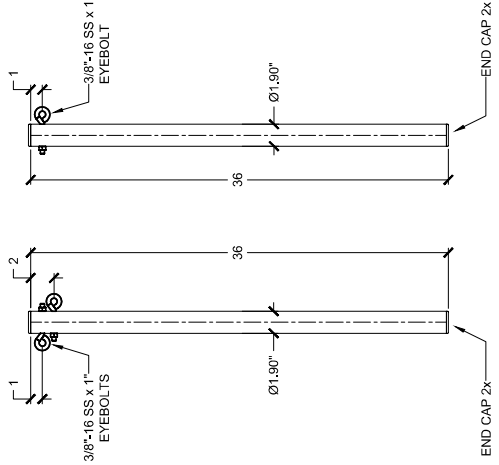
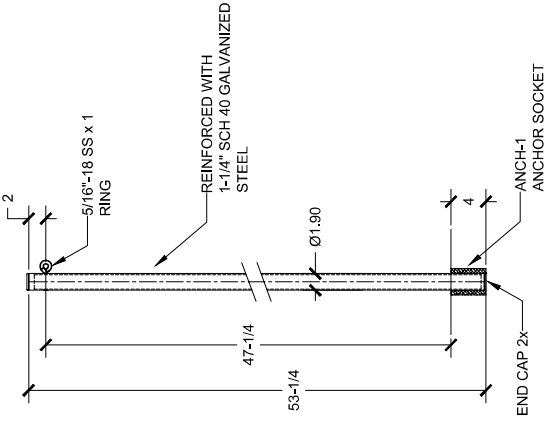
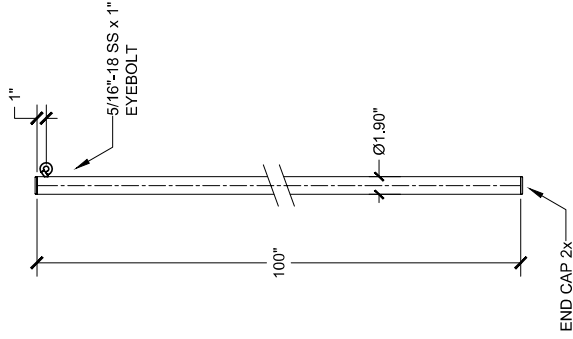
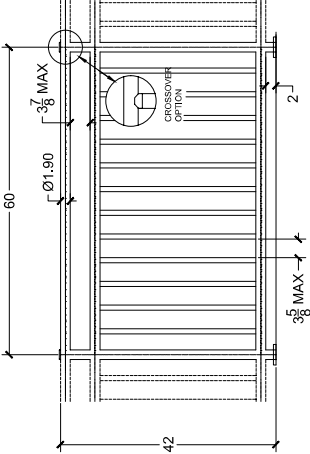
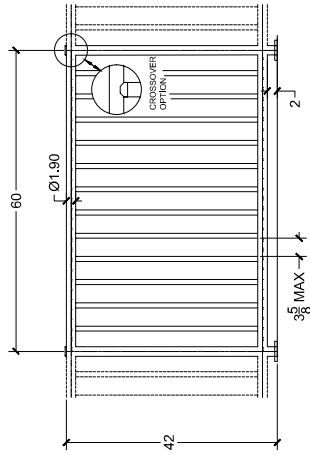
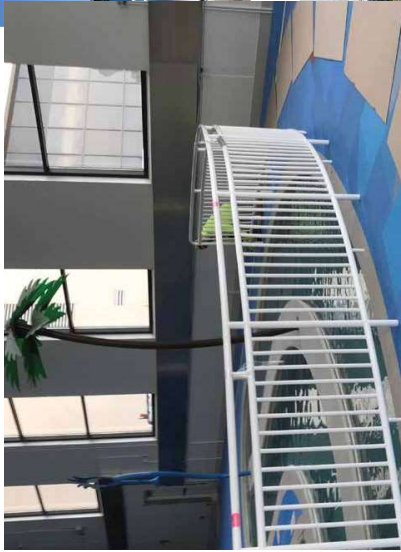
4200 RAILING



4300 RAILING

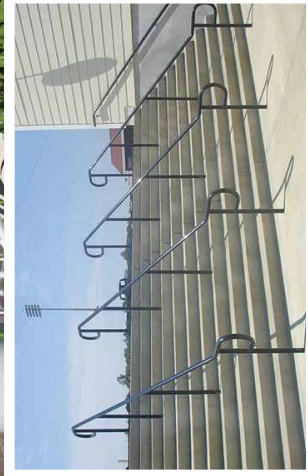
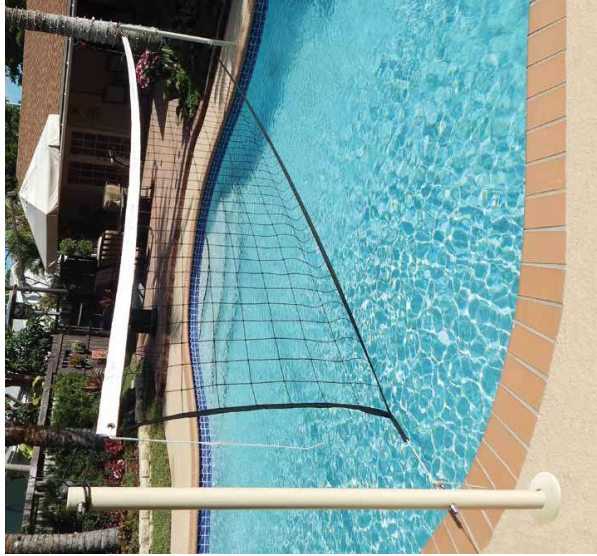
Saftron has been making high-impact metal reinforced polymer safety railing for over 30 years for Hotels and Resorts, Theme Parks, Aquatic Centers, Marina's and Industrial Applications.

- White
- Gray
- Black
- Beige
- Taupe
- Graphite Gray

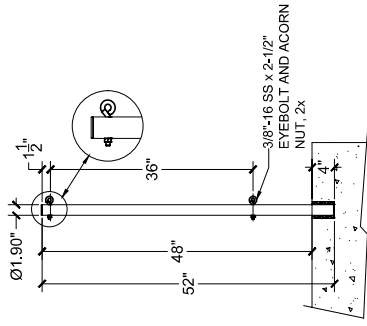


* Custom sizes available

Can be mounted with Anchor Socket or SB-F Base, Anchor Socket Covers Available

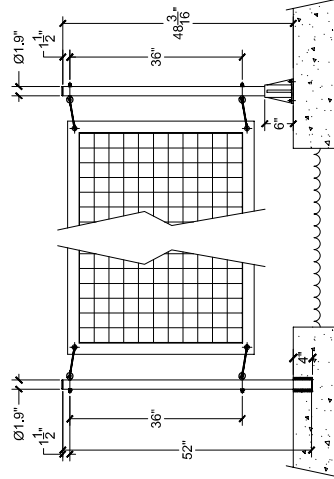


VOLLEYBALL POST



Volleyball Kits Include Posts, Net, Mounting & Hardware

- PA-VB-KIT-SM** Kit Mounted Using 6" Surface Bases
- PA-VB-KIT-AM** Kit Mounted Using Anchor Sockets
- PA-VBP-SM** Posts Mounted Using 6" Surface Bases
- PA-VBP-AM** Posts Mounted Using Anchor Sockets
- PA-VBN-16** 16' Replacement Net Only



Non-corroding Anchor Socket ANCH-1 (single & case qty)
Comes in white only



Anchor Socket Covers (Pair)
ASC (single & case qty)

Compatible cover for when not in use



Fencing Sections, Posts and Gates

FS-2200



FG-2200



Magna Latch Available

FS-2400



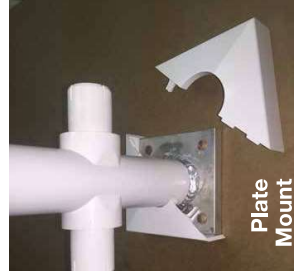
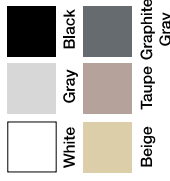
FG-2400



Advantages

- Easy Installation using Plate Mount or Core Mount
- No Rusting, Pitting or Scaling
- No Bonding/Grounding Required with Core Mount Application Only
- Will Not Fade, Chip or Corrode
- Cool to the Touch
- Smooth, Glossy, Easy to Clean Surface
- Low Maintenance
- 10 Year Warranty on Fencing

Six Standard Colors



Installation Options



Escutcheons (Pair)
ESC (case qty available)



Anchor Socket Covers (Pair)
ASC (case qty available)



3 Step Ladder
Refurbishing Kit
P-3SLR-KIT



Jigs for Ladders &
Return-to-Deck Rails
P-JIG-L / P-JIG-RTD
Includes Round Bubble Level



Non-corroding
Anchor Socket
ANCH-1
(single & case qty)
Comes in white only



6" Surface Mounting Base
For Ladders and Handrails
SB-F (case qty)



Single Ladder Step
(Hardware Separate)
P-LS-20 (case qty available)

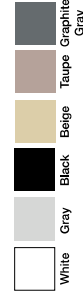


Marine Grade Ladder
Step Hardware
P-LS-Hdwr (single & case qty)



Ladder Bumpers (Pair)
P-BP19 (single & case qty)
Comes in white only

Available in 6 Colors
unless otherwise noted





Designed using the same high impact polymer exterior and reinforced interior.

Applications include:

Water Parks

Theme Parks

Marinas

Stadiums

Hotels and Resorts

Equipment Rooms

**Pool and Deck Railing
Available in Matching
Colors**

**Available in Safron
Standard Colors,
Custom Colors
Available with
Minimum Quantity
Required**

**We would like the
opportunity to quote
your next project!**

