

SAFTRON

Commercial Cross-braced Pool Ladder



Features

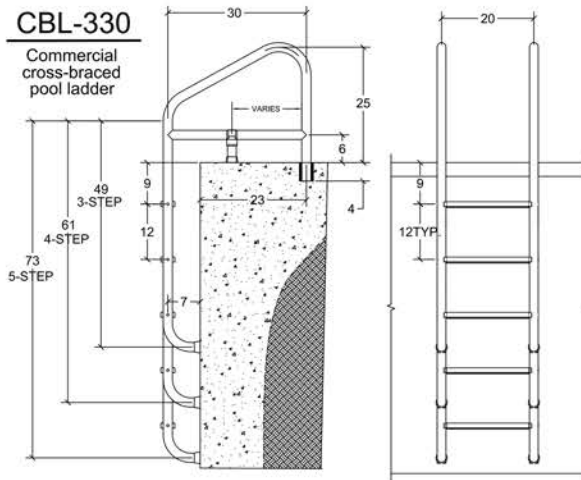
- High impact polymer exterior
- Stainless steel fully reinforced interior
- Tubing: 1.90" OD, 1.38" ID
- Bends: 6" radius
- Wall thickness: .25"

Model	Description	Shipping Wt.	L	W	H
CBL-324-3S	24" W x 67" H, 3 Step	40 lbs.	70"	38"	2"
CBL-324-4S	24" W x 79" H, 4 Step	46 lbs.	80"	38"	2"
CBL-324-5S	24" W x 90" H, 5 Step	52 lbs.	86"	38"	2"
CBL-330-3S	30" W x 67" H, 3 Step	50 lbs.	76"	38"	2"
CBL-330-4S	30" W x 79" H, 4 Step	56 lbs.	81"	38"	2"
CBL-330-5S	30" W x 91" H, 5 Step	62 lbs.	93"	38"	2"
CBL-336-3S	36" W x 67" H, 3 Step	26 lbs. -box 1 26 lbs. -box 2	78"	38"	2"
CBL-336-4S	36" W x 79" H, 4 Step	31 lbs. -box 1 31 lbs. -box 2	84"	38"	2"
CBL-336-5S	36" W x 91" H, 5 Step	32 lbs. -box 1 32 lbs. -box 2	93"	38"	2"

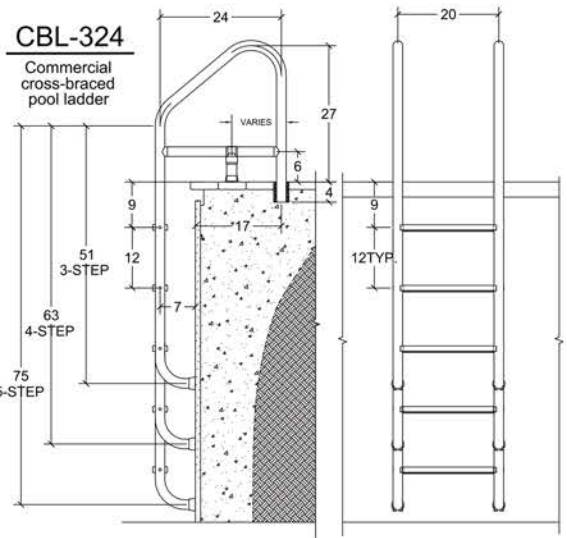
All measurements on center. Escutcheons, ladder hardware, steps, and ladder bumpers are included. When ordering, add the color to the end of the model number: (W) White, (B) Beige, (G) Gray, (T) Taupe, (BK) Black. Weights are approximate. Saftron ladders and rails are available in custom bends, sizes, and colors.



CBL-330
Commercial cross-braced pool ladder



CBL-324
Commercial cross-braced pool ladder



CBL-336
Commercial cross-braced pool ladder

