

# SAFTRON

## Figure 4 Return-to-Deck 3 Bend Handrails



### Features

- High impact polymer exterior
- Classic Style- Galvanized steel reinforced interior
- Fully Reinforced- Aluminum reinforced interior
- Tubing: 1.90" OD, 1.38" ID
- Bends: 6" radius
- Wall thickness: .25"

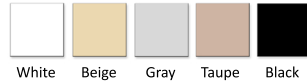
### Classic Style

| Model     | Description           | Shipping Wt. | L   | W   | H  |
|-----------|-----------------------|--------------|-----|-----|----|
| P-326-RTD | 26" W x 30" H, 3 Bend | 14 lbs.      | 36" | 28" | 2" |
| P-330-RTD | 30" W x 30" H, 3 Bend | 15 lbs.      | 36" | 32" | 2" |
| P-340-RTD | 40" W x 32" H, 3 Bend | 16 lbs.      | 43" | 38" | 2" |
| P-348-RTD | 48" W x 32" H, 3 Bend | 24 lbs.      | 50" | 38" | 2" |

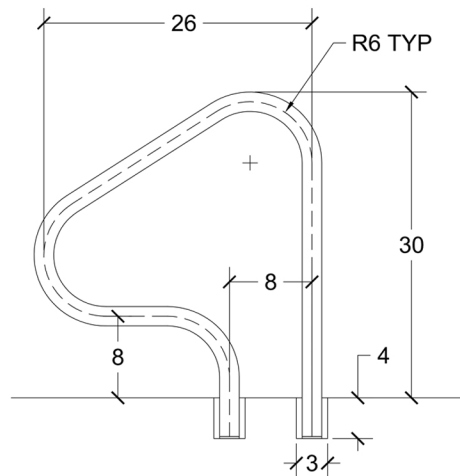
### Fully Reinforced

| Model   | Description           | Shipping Wt. | L   | W   | H  |
|---------|-----------------------|--------------|-----|-----|----|
| RTD-340 | 40" W x 32" H, 3 Bend | 13.5 lbs.    | 43" | 38" | 2" |
| RTD-348 | 48" W x 32" H, 3 Bend | 17.5 lbs.    | 50" | 38" | 2" |

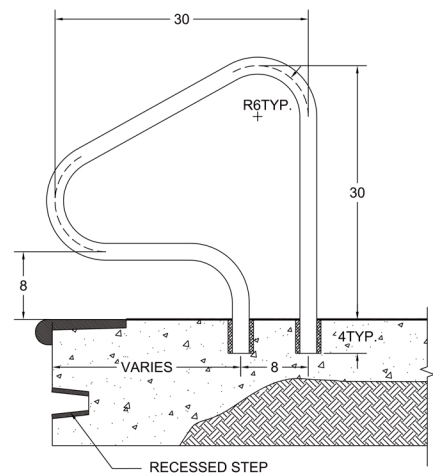
All measurements on center. Escutcheons are included. When ordering, add the color to the end of the model number: (W) White, (B) Beige, (G) Gray, (T) Taupe, (BK) Black. Saftron ladders and rails are available in custom bends, sizes, and colors.



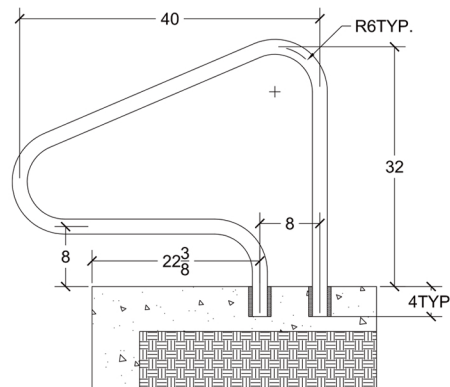
**P-326-RTD POOL RAIL**



**P-330-RTD POOL RAIL**



**RTD-340  
P-340-RTD POOL RAIL**



**RTD-348  
P-348-RTD POOL RAIL**

