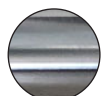
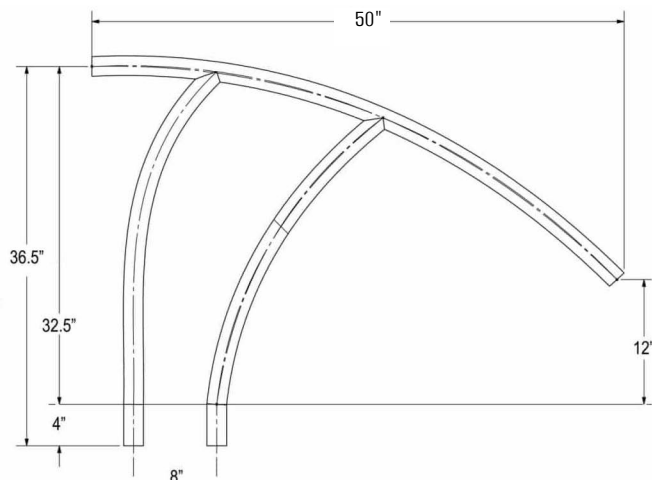
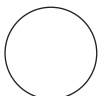


Modern 3 Bend Handrail™

- 304 stainless steel construction
- Constructed of 1.9" OD and .065" wall thickness
- Powder coat and marine grade options are salt water friendly



Polished



White



Sand



Global Grey



Copper Vein



Silver Vein

Part Numbers	Descriptions
GPP-MR-HR-SS	Modern 3 Bend Handrail .065" Wall Polished
GPP-MR-HR-WH	Modern 3 Bend Handrail .065" Wall White
GPP-MR-HR-SD	Modern 3 Bend Handrail .065" Wall Sand
GPP-MR-HR-GR	Modern 3 Bend Handrail .065" Wall Global Grey
GPP-MR-HR-CV	Modern 3 Bend Handrail .065" Wall Copper Vein
GPP-MR-HR-SV	Modern 3 Bend Handrail .065" Wall Silver Vein
GPPOTE-A4C8	4" Double Socket Anchor on 8" Channel

Can be upgraded to Marine Grade 316. When ordering, add "-M" following the color code.
Anchor not included.

