

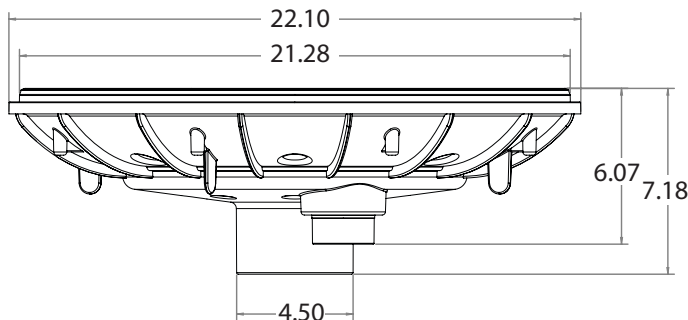
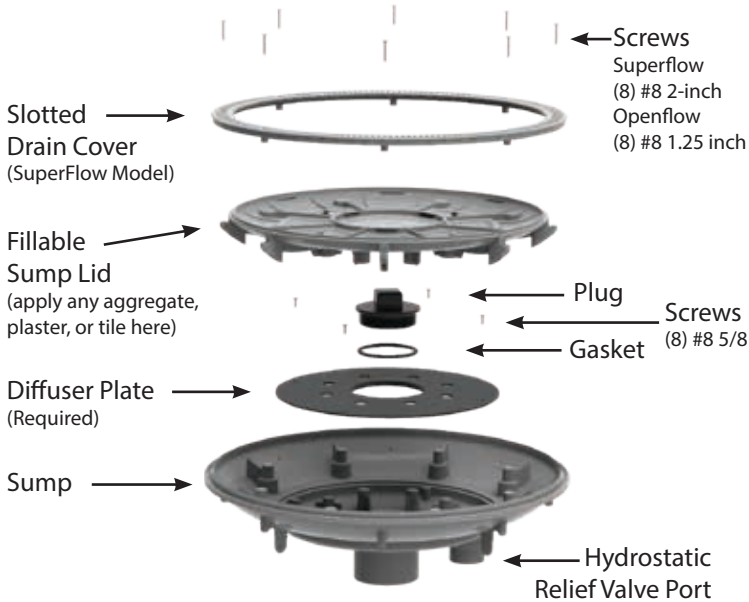
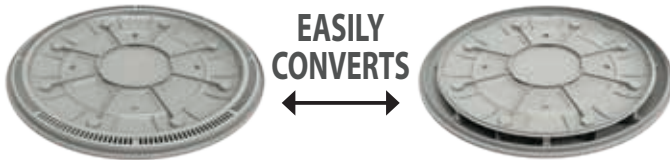
TWO DRAINS IN ONE

SUPERFLOW MODEL

With removable slotted drain cover

OPENFLOW MODEL

Open debris removal drain (no cover)



FEATURES

- **Unblockable.** Only One Drain Needed.
- For single or multiple drain use (see installation instructions); Floor use only
- Fits 2.5-inch, 3-inch, and 4-inch pipe
- **MAXIMUM FLOW RATE BY PIPE SIZE:**
SuperFlow 360 (with slotted drain cover)
 2.5-inch pipe = 300 GPM
 3-inch or 4-inch pipe = 360 GPM
 19.712 Square Inches Open Area
OpenFlow 360 (open debris removal)
 2.5-inch pipe = 220 GPM
 3-inch or 4-inch pipe = 240 GPM
 59.45 Square Inches Open Area
- Use a 4-inch to 4-inch Schedule 40 Coupler or 4-inch to 3-inch/2.5-inch Schedule 40 Reducer
- Apply same plaster, aggregate or tile to Fillable Sump Lid; Replace lid every five years from the date of installation
- Built-In Hydrostatic Relief Valve Port
- Flush with floor, no pool cleaner hangups
- Allows for multiple pumps
- Slurry pump fits inside the sump
- Manufactured from superior UV-resistant ABS (use ABS to PVC Glue)
- VGB SAFETY CERTIFIED: ANSI/APSP-16 2011 and NSF/ANSI 50-2015 compliant

1 per case

Available Colors

- | | |
|---------------------|---------------------|
| White (360-01) | Dark Gray (360-05) |
| Black (360-02) | Tan (360-08) |
| Light Gray (360-03) | Light Blue (360-09) |
| | Clear (360-CLR) |

Patent Nos. 9,822,539 / 6,209,586 / 6,340,035 / 6,557,588