

OWNER'S MANUAL

Swimming Pool and Spa Pump

SPECK 
pumps

READ THIS MANUAL CAREFULLY BEFORE USING THE SPECK PUMP

Notice: *The California Energy Commission requires all pumps purchased for sale or use in a residential pool for filtration in California be listed on their CEC website.*

Important Notice: This manual contains important information about the installation, operation and safe use of this product. This information should be given to the owner and/or operator of this equipment.

WARNING: *This product must be installed and serviced by a qualified pool professional, and must conform to all national, state, and local codes.*

WARNING: *Before installing this product, read and follow all warning notices and instructions which are included. Failure to follow safety warnings and instructions can result in severe injury, death, or property damage. Call (800) 223-8538 or visit www.usa.speck-pumps.com for additional copies of these instructions.*

IMPORTANT SAFETY INSTRUCTIONS

When installing and using this electrical equipment, basic safety precautions should always be followed, including the following:

1. READ AND FOLLOW ALL INSTRUCTIONS.

2. WARNING - To reduce the risk of injury, do not permit children to use this product unless they are closely supervised at all times.

3. WARNING - Risk of Electrical Shock. Connect only to a branch circuit protected by a ground-fault circuit interrupter (GFCI). Contact a qualified electrician if you cannot verify that a circuit is protected by a GFCI.

4. WARNING - To reduce the risk of electric shock, replace any damaged cord immediately.

5. DO NOT install within an outer enclosure or beneath the skirt of a hot tub or spa.

6. CAUTION - This pump is for use with permanently-installed pools and may also be used with hot tubs and spas if so marked. Do not use with storable pools. A permanently-installed pool is constructed in or on the ground or in a building such that it cannot be readily disassembled for storage. A storable pool is constructed so that it is capable of being readily disassembled for storage and reassembled to its original integrity.

7. The unit must be connected only to a supply circuit that is protected by a ground-fault circuit-interrupter (GFCI). Such a GFCI should be provided by the installer and should be tested on a routine basis. To test the GFCI, push the test button. The GFCI should interrupt power. Push the reset button. Power should be restored. If the GFCI fails to operate in this manner, the GFCI is defective. If the GFCI interrupts power to the pump without the test button being pushed, a ground current is flowing, indicating the possibility of an electric shock. Do not use this pump. Disconnect the pump and have the problem corrected by a qualified service representative before using.

8. TO REDUCE RISK OF ELECTRICAL SHOCK, A copper bonding connector (8 AWG U.S., 6 AWG Canada) is provided for bonding the motor to all metal parts of the swimming pool, spa, or hot tub structure and to all electrical equipment, metal conduit, and metal piping within 5 feet of the inside walls of a swimming pool, spa, or hot tub, when the motor is installed within 5 feet of the inside walls of the swimming pool, spa, or hot tub.

NOTE: To installer and/or operator of the Speck Swimming Pool Pump; the manufacturer's warranty will be voided if the pump is improperly installed and/or operated.

9. SAVE THESE INSTRUCTIONS!

General Safety Instructions

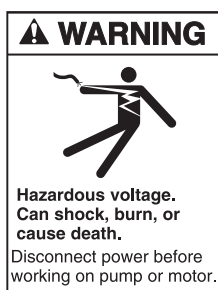
The following guidelines provide information to minimize the risk of injury to users of pools, spas, and hot tubs.

WARNING: TO REDUCE THE RISK OF ENTRAPMENT HAZARD



- Pump suction is hazardous and can trap and drown or disembowel swimmers.
- Blocking suction with body may cause severe or fatal injury.
- **DO NOT** use or operate swimming pools, spas, or hot tubs if a suction outlet cover is missing, broken, or loose.
- All suction outlet covers must be maintained. They must be replaced if cracked, broken, or missing.
- All suction outlets must have correctly installed screw-fastened cover in place.
- The pump suction system must provide protection against hazard of suction entrapment or hair entrapment/entanglement.
- Provide at least two hydraulically balanced (3' apart) main drains, with covers as suction outlets for each circulation pump suction line.

WARNING: RISK OF ELECTRICAL SHOCK OR ELECTROCUTION

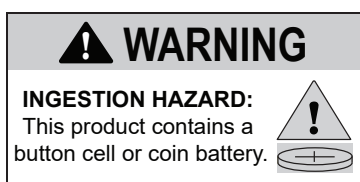


Pool pump must be installed by a licensed or certified electrician or a qualified pool serviceman in accordance with the National Electrical Code and all applicable local codes and ordinances. Improper installation will create an electric hazard which could result in death or serious injury to pool users, installers, or others due to electrical shock, and may also cause damage to property.

Always disconnect power to the pool pump at the circuit breaker before servicing the pump. Failure to do so could result in death or serious injury to serviceman, pool users, or others due to electric shock.

WARNING: Product might contain a coin battery

- This product contains non-replaceable batteries.
- Remove and immediately recycle or dispose of used batteries according to local regulations and keep away from children. **DO NOT** dispose of batteries in household trash or incinerate.
- Even used batteries may cause severe injury or death.
- Non-rechargeable batteries are not to be recharged.
- **DO NOT** force discharge, recharge, disassemble, heat above (manufacturer's specified temperature rating, +60 degrees C) or incinerate. Doing so may result in injury due to venting, leakage or explosion resulting in chemical burns."
- Product Contains: CR2032, nominal voltage 3 volts.
- Call a local poison control center for treatment information



gcc

SAVE THESE INSTRUCTIONS!

SECTION 1 Installation Information - continued

1/1 PREPARATION GUIDE

1. Upon receipt of the pump, check the carton for damage. Open the carton and check the pump for concealed damage, such as cracks, dents, or a broken base. If damage is found, contact the shipper for distributor where the pump was purchased.

2. Inspect the contents of the carton and verify that all parts are included. See *Parts List and Exploded View for details*.

1/2 PUMP LOCATION

NOTE: In Canada, the pump must be located a minimum of three (3) meters (approximately ten (10) feet) from the water (CSA C22.1).

1. For trouble-free self-priming, install the pump as close to the pool as practical. Consult local codes for minimum distance between pool and pump.

WARNING: Some Safety Vacuum Release System (SVRS) devices are not compatible with the installation of check valves. If the pool has an SVRS device, be sure to confirm that it will continue to safely operate if check valves are installed.

2. The piping should be as direct and free from turns or bends as possible, as elbows and other fittings greatly increase friction losses which reduce the flow of water.

3. Place pump on a solid foundation which provides a rigid and vibration-free support so that it is readily accessible for service and maintenance.

4. Install the pump in a well ventilated location protected from direct sunlight and excessive moisture (rain, sprinklers, etc.).

5. Protect the pump against flooding and excess moisture, and prevent foreign objects from clogging air circulation around motor. All motors generate heat that must be removed by providing proper ventilation.

6. **DO NOT** store or use gasoline or other flammable

7. **DO NOT** remove any safety alert labels such as **DANGER**, **WARNING**, or **CAUTION**. Keep safety labels in good condition and replace and missing or damaged labels.

8. Provide access for future services by leaving a clear area around the pump. Allow plenty of space above the pump to remove lid and basket for cleaning.

1/3 PIPE SIZING

NOTE: All pipe sizes are able to withstand the pressures the pump will deliver, but not necessarily the flow. If the pipe is too small for the pump, or is elevated above the water, the maximum gallons per minute (GPM) may not be delivered. If this happens, the pump will develop a pocket of air that makes noise (cavitation). This may shorten the life of the pump.

SUCTION & DISCHARGE: 1/4 PLUMBING INSTALLATION

1. When connecting piping to the threaded ports on the pump, it is recommended that thread seal tape be used. Hard-plumbed pipes must have proper solvent-weld connections. If the suction line is not sealed correctly, the pump will not prime properly and will pump small volumes of water or none at all.

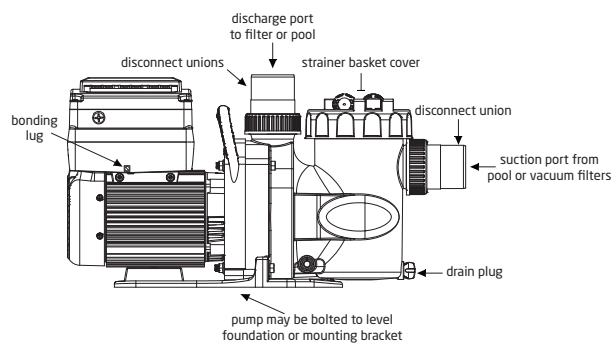
2. When installing the pump, care should be taken so that the suction line is below water level to a point immediately beneath the pump to ensure quick priming via a flooded suction line. The height between the pump and water level should not be more than five (5) feet.

3. Suction and discharge lines should be independently supported at a point near the pump to avoid strains being placed on the pump. Always use properly sized valves.

4. When installing the pump below water level, it is advisable to install a valve in both the suction and discharge line in the event that the pump must be removed for servicing.

5. Before starting the pump for the first time, remove the see-through lid. (Turn lid ring counter-clockwise to remove.) Fill strainer tank with water until it is level with the suction inlet. Replace lid with locking ring. Hand-tighten the lid to make an air-tight seal. **DO NOT** use any tools to tighten the lid.

6. Use the fewest number of fittings as possible. Each additional fitting has the effect of moving the equipment farther away from the water. *NOTE: If more than ten (10) suction fittings are needed, the pipe size must be increased.*



SECTION 1 Installation Information - continued

1/5 BONDING AND GROUNDING

When installing and using the motor, basic safety precautions should always be followed. The wiring of the motor should be done by a licensed electrician in accordance with local codes.

1. The motor frame must be grounded to a reliable grounding point using a solid copper conductor, No. 8 AWG or larger. In Canada, No. 6 AWG or larger must be used. If the pump is installed within five (5) feet of the inside walls of the swimming pool, spa, or hot tub, the motor frame must be bonded to all metal parts of the swimming pool, spa, or hot tub structure and to all electrical equipment, metal conduit, and metal piping within five (5) feet of the inside walls of the swimming pool, spa, or hot tub.

2. Bond the motor using the provided external lug.

WARNING: Always disconnect the power source before working on a motor or its connected load. Motor is fitted with internal auto reset. May restart without warning!

WARNING: In order to avoid the risk of property damage, severe personal injury, and/or death, make sure that the control switch, time clock, or control system is installed in an accessible location, so that in the event of an equipment failure or loose plumbing fitting, the equipment can be easily turned off.

CAUTION: The pump must be permanently connected to a dedicated electrical circuit. No other equipment, lights, appliances, or outlets may be connected to the pump circuit, with the exception of devices that may be required to operate simultaneously with the pump, such as a chlorinating device or heater.

1/6 ELECTRICAL INSTALLATION

1. The pump motor must be securely grounded inside the motor terminal compartment. **NOTE: DO NOT** connect to electric power supply until unit is permanently grounded.

2. Wire size must be adequate to minimize voltage drop during the start-up and operation of the pump.

3. Insulate all connections carefully to prevent grounding or short-circuits. Sharp edges on terminals require extra protection. To prevent the wire nuts from loosening, tape them using suitable, listed (UL, ETL, CSA) electrical insulating tape. For safety, and to prevent entry of contaminants, reinstall all conduit and terminal box covers. Do not force connections into the conduit box.

4. Connect L1, L2/N, and Ground to the terminal block as shown on the motor nameplate.

1/7 VOLTAGE CHECKS

The correct voltage, as specified on the pump data plate, is necessary for proper performance and long motor life. Incorrect voltage will cause damage to the motor.

It is the responsibility of the electrical installer to provide data plate operating voltage to the pump by ensuring proper circuit sizes and wire sizes for this specific application.

CAUTION: Failure to provide data plate voltage during operation will cause the motor to overheat and void the warranty.

1/8 PRESSURE TEST

WARNING: When pressure testing a system with water, air is often trapped in the system during the filling process. This air will compress when the system is pressurized. Should the system fail, this trapped air can propel debris at a high speed and cause injury. Every effort to remove trapped air must be taken, including opening the bleed valve on the filter and loosening the pump basket lid while filling the pump.

WARNING: Trapped air in the system can cause the filter lid to be blown off, which can result in death, serious injury, or property damage. Be sure all air is properly purged out of the system before operating. **DO NOT USE COMPRESSED AIR TO PRESSURE TEST OR CHECK FOR LEAKS.**

WARNING: When pressure testing the system with water, it is very important to make sure that the pump basket and lid is completely secure.

1. Fill the system with water, using care to eliminate trapped air.

2. Pressurize the system with water to no more than 35 PSI.

WARNING: DO NOT pressure test above 35 PSI. Pressure testing must be done by a trained pool professional. Circulation equipment that is not tested properly might fail, which could result in severe injury or property damage.

3. Close the valve to trap pressurized water in the system.

4. Observe system for leaks and/or pressure loss.

5. If there are leaks, repeat steps 1-3. For technical support call 800-223-8538 or +1 904-739-2626.

2/1 START UP GUIDE

CAUTION: Never run the pump without water. Running the pump "dry" for any length of time can cause severe damage to both the pump and the motor and will void the warranty.

SECTION 2 EQUIPMENT OPERATION, SERVICE, AND MAINTENANCE

2/1 START UP GUIDE - continued

If this is a new pool installation, make sure all piping is clear of construction debris and has been properly pressure tested. The filter should be checked for proper installation, verifying that all connections and clamps are secure according to the manufacturer's recommendations.

WARNING: To avoid risk of property damage, severe personal injury or death, verify that all power is turned off before starting this procedure.

1. Release all pressure from the system and open the filter pressure release (air bleed) valve.

2. Depending on the location of the pump, do one of the following:

- If the pump is located below the water level of the pool, open the filter valve to prime the pump with water.
- If the pump is located above the water level of the pool, remove the lid and fill the basket with water before starting the pump.

3. Prior to replacing the lid, check for debris around the lid o-ring seat. Debris around the lid o-ring seat will make it difficult to prime the pump.

4. Hand-tighten the lid to make an air tight seal. **DO NOT** use any tools to tighten the lid: hand-tighten only. Make sure all valves are open and the unions are tight.

5. Once all the air has left the filter, close the pressure release valve.

6. Switch on power to the pump-motor to start.

7. Allow the pump to run for up to 10 minutes to allow air trapped in the suction line to be purged.

8. If the pump does not prime and all the instructions to this point have been followed, check for a suction leak. If there is a leak repeat Steps 2 through 6.

NOTE: It is normal for a few drops of water to escape from the mechanical seal from time to time. This is especially true during the break-in period.

9. For technical support, call 800-223-8538. If calling from outside the U.S. dial +1 904-739-2626.

2/2 ROUTINE MAINTENANCE

This pump requires little or no service other than reasonable care and periodic cleaning of the strainer basket. **DO NOT** strike basket to clean. When cleaning the basket inspect the lid o-ring for damage and replace if necessary.

1. Inspect the pump basket for debris by looking through the clear pump lid.

2. Turn OFF the power to the pump. If the pump is located below the water level, close isolation valves on the suction and discharge sides of the pump to prevent back flow of water.

3. Remove any debris, because as the debris accumulates, it will begin to block the flow of water through the pump. Keep the basket clean and clear to improve the performance of the pump.

4. Turn the lid ring counter-clockwise to remove. Carefully remove the lid and lock ring.

5. Remove the basket and properly dispose of the debris into the trash and rinse out the basket. Check basket for cracks, if crack is found replace basket.

6. Replace basket back into the pump, align the basket properly with the suction pipe. Then fill with water up to the suction pipe. Clean the clear lid, o-ring, and sealing surface of the pump of any debris.

7. Replace lid with lid ring. Hand-tighten the lid to make an air-tight seal. **DO NOT** use any tools to tighten the lid.

8. Verify that all valves have been returned to the proper position for normal operation. Turn ON the power to the pump.

NOTE: It is normal for a few drops of water to escape from the mechanical seal from time to time. This is especially true during the break-in period.

The mechanical seal may become worn or loose over the course of time, depending on the running time and water quality. If water continually leaks out, a new mechanical seal should be fitted. After long periods of no operation (seasonal storage, etc.), the pump must be checked for ease of rotation while it is switched off. Refer to Section 2/4 Removal and Replacement of the Impeller and/or Mechanical Seal.

WARNING: Before servicing the pump, switch off the circuit breakers at the power source. Severe personal injury or death may occur if the pump starts while your hand is inside the pump.

2/3 WINTERIZING

CAUTION: The pump must be protected when freezing temperatures are expected. Allowing the pump to freeze will cause severe damage and void the warranty.

There are two options when winterizing the pump

SECTION 2 EQUIPMENT OPERATION, SERVICE, AND MAINTENANCE - continued

2/3 WINTERIZING - continued

OPTION 1:

1. Drain all the water from the pump, system equipment, and piping.
2. Remove drain plugs. **DO NOT** replace plugs. Store the plugs in the empty strainer basket for winter.
3. Keep the motor covered and dry.

OPTION 2:

1. Drain all the water from the pump, system equipment, and plumbing.
2. Remove the pump and motor from the plumbing and store indoors in a warm, dry location.

NOTE: When the winter season is over the pump will need to be checked and primed prior to start.

CAUTION: DO NOT run the pump dry. If the pump is run dry, the mechanical seal will be damaged and the pump will start to leak at the seal. If this occurs, the mechanical seal will need to be replaced. ALWAYS maintain the proper water level in your pool. Continued operation in this manner could cause a loss of pressure, resulting in damage to the pump casing, impeller, and mechanical seal.

2/4 REMOVAL AND REPLACEMENT OF THE IMPELLER AND/OR MECHANICAL SEAL

WARNING: Before servicing the pump, switch off the circuit breakers at the power source. Severe personal injury or death may occur if the pump starts while your hand is inside the pump.

2/4 REMOVAL AND REPLACEMENT OF THE IMPELLER AND/OR MECHANICAL SEAL

1. Turn OFF the pump. Switch off the circuit breaker to the pump motor. If you are not replacing the motor, do not disconnect the electrical wiring.
2. Turn OFF any valves to prevent pool water from reaching the pump. Drain water from the pump by loosening the unions or removing the drain plug.
3. Remove the four (4) thru-bolts and nuts connecting the pump casing/strainer tank to the pump flange.
4. Pull the motor and flange/seal housing out from the pump casing/strainer tank. Remove the pump casing o-ring. The impeller is connected to the motor shaft.
5. Remove the diffuser by gently pulling the diffuser (the diffuser is the cover over the impeller) horizontally until the pins clear the seal housing.

6. Remove the cap from the rear of the motor. Place a flat head screwdriver through into the screwdriver slot on the motor shaft.

7. While holding the motor shaft, turn the impeller counter-clockwise to remove from the shaft.

8. Gently pull the mechanical seal from the impeller shaft noting the way it was originally installed.

CAUTION: DO NOT damage the ceramic or carbon sealing surfaces of the seal. If the sealing surfaces are damaged, leaks will occur.

9. Using water with a small amount of dish soap, brush the impeller shaft for ease of assembly.

10. With the carbon side up, push the mechanical onto the impeller shaft and wipe carbon surface with a clean cloth. **CAUTION: DO NOT** use grease or lube to install seal. It will damage the seal and cause failure.

11. The ceramic side of the seal can be pushed out from the rear of the seal housing. Please note its position before removing.

12. Using water only, wet the ceramic side of the seal and using your thumbs push into the seal housing. Clean surface with a clean cloth.

13. Wipe the motor shaft of all debris and apply a single drop of LOCTITE® to the motor shaft threads.

14. Install impeller by spinning it clockwise onto the motor shaft. Continue to turn clockwise until the carbon and ceramic sides make contact and the seal spring slightly compresses.

15. Install the diffuser by aligning the diffuser pins with the holes in the seal housing and pressing together.

16. Make sure the diffuser and casing o-rings are in place and free of debris. Replace the casing o-ring. Slide the motor flange/seal housing into the casing.

17. Install the four casing thru-bolts and nuts using a cross pattern from side to side and top to bottom. **CAUTION: DO NOT** over-tighten.

SECTION 2 EQUIPMENT OPERATION, SERVICE, AND MAINTENANCE - continued

2/5 MOTOR REPLACEMENT

WARNING: The pump must be serviced by a professional service technician qualified in pool/spa installation. The following procedures must be followed exactly. Improper installation and/or operation can create dangerous electrical hazards, which can cause high voltage to run through the electrical system. This can cause property damage, serious personal injury, and/or death. Improper installation and/or operation will void the warranty.

1. Disconnect the wiring from the side of the motor. (Refer to the Electrical Installation)
2. Remove the four (4) thru-bolts and nuts holding the flange/seal housing to the pump casing/strainer tank.
3. Slide the motor and flange/seal housing away from the casing/strainer tank.
4. Remove the diffuser by gently pulling the diffuser horizontally until the pins are clear from the flange/seal housing.

5. Remove the rear motor cap and place a flat heat screwdriver into the screwdriver slot on the rear of the motor shaft.

6. While holding the motor shaft, turn the impeller counter-clockwise.

7. Pull the seal housing with away from the pump flange.

8. Remove the four flange bolts (7/32" allen head). Pull the flange away from the front of the motor.

9. Remove the slinger from the old motor and install on to the new motor.

10. Clean the surfaces of the seal. Refer to Section 2/4 Removal and Replacement of the Impeller and/or Mechanical Seal.

SECTION 3 TROUBLESHOOTING GUIDE

PROBLEM	POSSIBLE CAUSES	SOLUTION
1. Pump will not prime.	a. Suction air leak. b. No water in pump. c. Closed valves or blocked lines. d. Low voltage to motor.	Make sure the see-through lid and o-ring are clean and properly positioned. Tighten see-through lid (hand tight). Tighten all pipes and fittings on suction side of the pump. Be sure water in the pool is high enough to flow through skimmer. Make sure strainer tank is full of water. Open all valves in system. Clean skimmer and strainer tank. Open pump and check for clogging of impeller. Check voltage at motor. If low, pump will not come up to speed.
2. Motor does not turn.	a. No power to motor. b. Pump jammed.	Check that all power switches are on. Be sure fuse or circuit breaker is properly set. Time set properly? Check motor wiring at terminals. With power off, turn shaft. It should spin freely. If not, disassemble and repair.
3. Low flow.	a. Dirty filter. b. No skimmer basket. c. Closed valves or blocked lines. d. Suction air leak.	Back wash filter when filter pressure is high, or clean cartridges. Clean skimmer and pump strainer basket. See problem 1. See problem 1.
4. Noisy operation of motor.	a. Bad bearings.	Noise when shaft is turned up by hand. Motor is hot in bearing area when running. Replace bearing.

SECTION 3 TROUBLESHOOTING GUIDE - continued

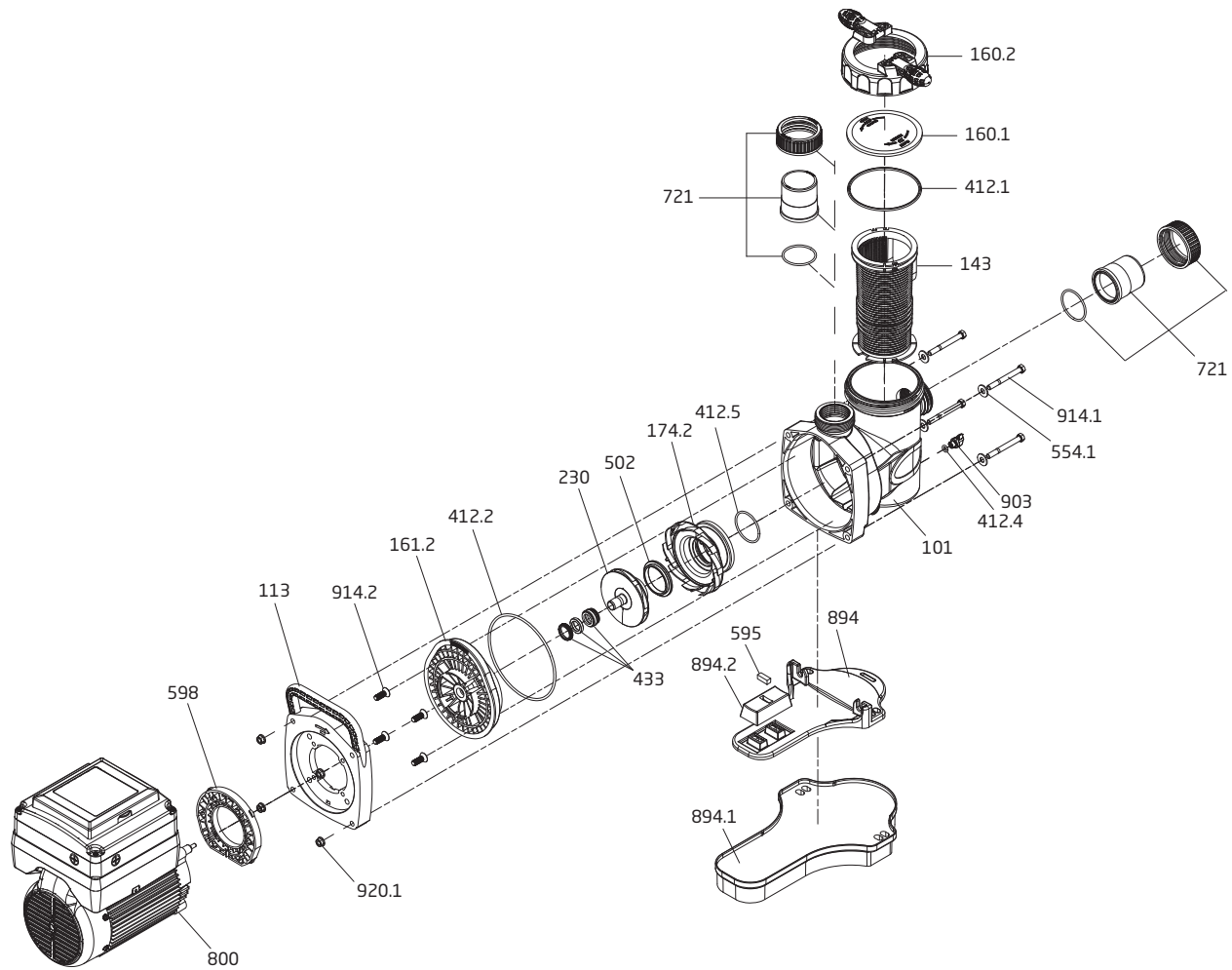
PROBLEM	POSSIBLE CAUSES	SOLUTION
5. Motor runs hot.	These motors will run hot to the touch, however, this is normal. They are designed that way. Thermal overload protector will function to turn them off if there is an overload or high temperature problem. Excessive heat can be cause by:	
	a. Low voltage.	Increase size of electrical wire. Be sure motor is operating on correct voltage.
	b. Installed in direct sun. c. Poor ventilation.	Shield motor from sun's rays. Do not tighten cover or enclosure motor.
6. Noisy operation of pump.	a. Air leak in suction line. Bubbles in water returning to pool at inlet.	Repair leak. Check suction pipe, see-through lid in place? O-ring clean?
	b. Restricted suction line due to blockage or under size pipe. Indicated by high vacuum reading at pump suction.	Remove blockage or increase suction pipe size. Make sure strainer tank is clean. Are all suction valves fully open?
	c. Foreign matter (gravel, metal, etc.) in pump impeller.	Disassemble pump and remove foreign matter from impeller.
	d. Cavitation.	Improve suction conditions. (Reduce suction life, reduce number of fittings, increase pipe size.) Increase discharge pressure and reduce flow by throttling discharge valve.
7. Motor overload protection "kicks out".	a. Motor is not connected properly.	Check wiring diagram on motor.
	b. Low voltage due to under size wire or low incoming voltage.	Check with volt meter. Increase size of supply wire. Reports low supply voltage to power company. Voltage at motor must be within 10% of motor nameplate voltage.
	c. Wrong size heaters in protective device.	Heaters should be one size larger than full load amps shown on motor nameplate.
	d. Overload due to binding in pump or wrong size impeller.	Indicated by high amperage readings on motor, binding shaft. Disassemble unit and correct.

SECTION 4 SERVICING INFORMATION

When calling the manufacturer regarding a question or problem with your pump, please have the serial number available. The serial number is located on the pump either on the flange or motor labels.

Replacement parts may be available from your installer. Call, fax, or write: Speck Pumps at 8125 Bayberry Road, Jacksonville, Florida 32256 Phone: (904) 739-2626 Fax: (904) 737-5261, e-mail: info.usa@speck-pumps.com

SECTION 5 REPLACEMENT PARTS AND EXPLODED VIEW



Drawing #	Qty Required	Description
160.1	1	Lid - Clear
Not Shown	1	Lid - Clear w/ Led Light
160.2	1	Lid - Lock Ring w/ Handles
412.1	1	O-ring - Lid 137 x 5mm
143	1	Basket
101	1	Casing (1.5")
101	1	Casing (2.0")
903	1	Drain Plug - Winged w/ O-ring
914.1	4	Screw - 3/8-16 x 3-1/2" Hex Cap SS
554.1	4	Washer - Flat 3/8" SS
920.1	4	Nut - 3/8-16 Brass
595	1	Rubber Buffer - 10 x 10 x 27mm
894.1	1	Riser for WF
894.2	1	Motor Support
894	1	Base Plate
412.5	1	O-ring - Diffuser 90 x 5mm
174.2	1	Diffuser (-I, -II)

Drawing #	Qty Required	Description
174.2	1	Diffuser (-III, -IV, -V)
174.2	1	Diffuser (-VI)
502	1	Wear Ring (-III, -IV, -V)
230	1	Impeller (-II)
230	1	Impeller (-III)
230	1	Impeller (-IV)
230	1	Impeller (-V)
230	1	Impeller (-VI)
433	1	Mechanical Seal (20mm) - Carbon/Ceramic
412.2	1	O-ring - Casing 190 x 5mm
161.2	1	Seal Housing
914.2	4	Screw - 3/8-16 x 2" (Allen Head)
113	1	Flange
598	1	Motor Flange
721	1	1.5" Union Package - Suction/Discharge
721	1	2.0" Union Package - Suction/Discharge

SECTION 5 SERVICING INFORMATION

When calling the manufacturer regarding a question or problem with your pump, please have the serial number available. The serial number is located on the pump either on the flange or motor labels.

Replacement parts may be available from your installer. Call, fax, or write: Speck Pumps at 8125 Bayberry Road, Jacksonville, Florida 32256 Phone: (904) 739-2626 Fax: (904) 737-5261, e-mail: info.usa@speck-pumps.com

SECTION 6 PRODUCT REGISTRATION

Thank you for purchasing a SPECK PUMPS® product please take a few moments to register it online. Your registration helps us keep you up to date on product information and offers.

To register your SPECK equipment please register online at usa.speck-pumps.com

or
Scan QR code to register product



Before you register:

What do I need to get started?

- The Serial Number and the Model Name
- An email address. We will use this to send you confirmation of your registration.
- A copy of your sales receipt and/or qualified installer's invoice.

SECTION 7 LIMITED WARRANTY

Speck Pumps-Pool Products, Inc. grants solely to the original consumer purchaser ("Buyer") of the pump and motor the following personal, non-transferable and limited warranty on the following terms and conditions (the "Limited Warranty"): the pump and motor is warranted to be free of material defects in materials or workmanship under normal use for a period of two (2) year beginning on the date of the Buyer's purchase of the pump and motor. Notwithstanding any provisions herein to the contrary, the warranties and obligations hereunder shall not in any event extend for more than three (3) years beyond the date of shipment of the pump and motor from the factory (the "Limited Warranty Period"). The Limited Warranty is subject to each of the following additional terms and conditions:

1. IN THE EVENT OF ANY BREACH OF THE LIMITED WARRANTY, SPECK PUMPS-POOL PRODUCTS, INC.'S ENTIRE OBLIGATION AND LIABILITY TO BUYER, AND BUYER'S SOLE AND EXCLUSIVE REMEDY SHALL BE AS FOLLOWS:

Speck Pumps-Pool Products, Inc. will, at its option, either repair or replace the pump and motor or refund to Buyer the purchase price actually paid by Buyer for the pump and motor subject to the Limited Warranty. Speck Pumps-Pool Products, Inc. shall have no obligations under the Limited Warranty unless Buyer delivers timely written notice to Speck Pumps-Pool Products, Inc. of the Limited Warranty claim within the Limited Warranty Period and returns the pump and motor to Speck Pumps-Pool Products, Inc. if requested. To the fullest extent permitted by law, Speck Pumps-Pool Products, Inc. expressly disclaims any liability for, and the Limited Warranty does not include or cover, any labor, costs or other expenses in connection with the removal, transportation, shipment, insurance, replacement, repair, or installation of repaired or replaced parts or for any other costs or expenses or damages to property or things including, but not limited to, those arising in connection with the use of, or inability to use, the pump and motor.

2. To the fullest extent permitted by law, the Limited Warranty will be void and of no force or effect and Speck Pumps-Pool Products, Inc. will have no liability, responsibilities or obligations to Buyer or with respect to the pump and motor in the event of the occurrence of any one or more of the following:

- (a) Any damage to the pump and motor caused by Buyer, any third party, ground movement, other natural forces, acts of God or any other sources or causes not arising from a breach of the Limited Warranty, excluding ordinary wear and tear;
- (b) Any replacement, modification, alteration or repair of any parts or components of the pump and motor by anyone other than Speck Pumps-Pool Products, Inc.;
- (c) Any abuse, misuse, accident, tampering with, improper installation or modification of the pump and motor or any other actions, inactions or failures to act that violate the terms and conditions of this Limited Warranty;
- (d) Buyer's failure or inability to present an invoice, bill, receipt or other documentation clearly evidencing that the pump and motor was installed and maintained in strict compliance with this Limited Warranty and that the claim was timely submitted within the Limited Warranty Period; and/or
- (e) Buyer's failure to comply with the conditions and contingencies set forth in paragraph 3 below.

SECTION 7 LIMITED WARRANTY - continued

3. The Limited Warranty is expressly conditioned and contingent upon Buyer's strict compliance with each of the following:

- (a) Installation of the pump and motor by an experienced and qualified pool industry professional and a licensed electrician who is licensed within the jurisdiction in which the pump and motor is installed and will be used; and
- (b) Buyer's operation and maintenance of the pump and motor in strict accordance with Speck Pumps-Pool Products, Inc.'s printed operator/maintenance manuals delivered with the pump and motor.

4. **DISCLAIMER: THE LIMITED WARRANTY IS THE ONLY WARRANTY MADE AND IS IN LIEU OF ALL OTHER WARRANTIES, AND ANY AND ALL IMPLIED WARRANTY OR CONDITION OF MERCHANTABILITY, THE IMPLIED WARRANTY AGAINST INFRINGEMENT, AND THE IMPLIED WARRANTY OR CONDITION OF FITNESS FOR A PARTICULAR PURPOSE ARE EXPRESSLY LIMITED IN THEIR SCOPE AND DURATION TO THE TWO YEAR TERM OF THE LIMITED WARRANTY SET FORTH HEREIN. SOME STATES DO NOT ALLOW LIMITATIONS ON HOW LONG AN IMPLIED WARRANTY LASTS, SO THE ABOVE LIMITATION MAY NOT APPLY TO THE BUYER.**

5. **TO THE FULLEST EXTENT PERMITTED BY LAW, IN NO EVENT SHALL SPECK PUMPS - POOL PRODUCTS, INC. OR ITS OFFICERS, DIRECTORS, EMPLOYEES, SHAREHOLDERS, AGENTS, OR REPRESENTATIVES BE LIABLE FOR ANY SPECIAL, INDIRECT, INCIDENTAL, EXEMPLARY OR CONSEQUENTIAL DAMAGES OR LOSS, INCLUDING TIME, MONEY, GOODWILL, AND LOST PROFITS IN ANY WAY WHICH MAY ARISE HEREUNDER OR FROM THE USE OF OR INABILITY TO USE THE PUMP AND MOTOR OR THE PERFORMANCE OR NONPERFORMANCE OF ANY OBLIGATION UNDER THIS LIMITED WARRANTY. THIS PARAGRAPH, THE WARRANTY DISCLAIMERS IN PARAGRAPH 4 ABOVE, AND THE SOLE AND EXCLUSIVE REMEDY SET FORTH IN PARAGRAPH 1 ABOVE SHALL APPLY EVEN IF SPECK PUMPS - POOL PRODUCTS, INC. HAS BEEN NOTIFIED OF THE POSSIBILITY OR LIKELIHOOD OF SUCH DAMAGES OCCURRING, WHETHER SUCH LIABILITY IS BASED ON CONTRACT, TORT, NEGLIGENCE, STRICT LIABILITY, PRODUCTS LIABILITY OR OTHERWISE, AND EVEN IF ANY REMEDY STATED HEREIN FAILS OF ITS ESSENTIAL PURPOSE. SOME STATES DO NOT ALLOW THE EXCLUSION OR LIMITATION OF SPECIAL, INDIRECT, INCIDENTAL, EXEMPLARY OR CONSEQUENTIAL DAMAGES OR LOSS, SO THE ABOVE EXCLUSIONS AND LIMITATIONS MAY NOT APPLY.**

6. This Limited Warranty gives the Buyer specific legal rights, and the Buyer may also have other rights, which vary from state to state.

7. A return merchandise authorization ("RMA") must be obtained from Speck Pumps-Pool Products, Inc. before returning any product. Products returned **without** an RMA will be refused and returned, unopened, to the Buyer. All returned products are to be sent freight prepaid and insured for Buyer's protection to the manufacturer at 8125 Bayberry Road, Jacksonville, Florida 32256. Under no condition will products be accepted after the expiration of the Limited Warranty Period. Speck Pumps-Pool Products, Inc. shall not bear any costs or risks incurred by Buyer in shipping a defective pump and motor to Speck Pumps-Pool Products, Inc. or in shipping a repaired or replaced pump and motor to Buyer.

Technical Support:

Address: Speck Pumps
8125 Bayberry Road
Jacksonville, FL. 32256
USA

Hours: (Monday - Friday) 8:00 am to 5:00 pm EST
Toll Free: 800-223-8538
Phone: 904-739-2626
Fax: 904-737-5261

Website: usa.speck-pumps.com

Date of Installation: _____
Installed by: _____
Serial Number: _____
For Service Call: _____

Manufactured by Speck Pumps, Jacksonville Florida USA, © 2025 All Rights Reserved. This document is subject to change without notice.

MANUAL DEL PROPIETARIO

Bomba para piscinas y spas

SPECK 
pumps

LEA ATENTAMENTE ESTE MANUAL

ANTES DE UTILIZAR LA BOMBA SPECK

Aviso importante: La Comisión de Energía de California exige que todas las bombas compradas para la venta o uso en una piscina residencial para filtración en California se incluyan en el sitio web de la CCA. Este manual contiene información importante sobre la instalación, el funcionamiento y el uso seguro de este producto. Esta información debe entregarse al propietario y/u operador de este equipo.

ADVERTENCIA: Este producto debe ser instalado y reparado por un profesional de piscinas cualificado, y debe cumplir todos los códigos nacionales, estatales y locales.

ADVERTENCIA: Antes de instalar este producto, lea y siga todas las advertencias e instrucciones que se incluyen. El incumplimiento de las advertencias e instrucciones de seguridad puede provocar lesiones graves, la muerte o daños materiales. Llame al +1 (904) 739-2626 o visite usa.speck-pumps.com para obtener copias adicionales de estas instrucciones.

INSTRUCCIONES DE SEGURIDAD IMPORTANTES

Al instalar y utilizar este equipo eléctrico, deben seguirse siempre las precauciones básicas de seguridad, incluidas las siguientes:

1. LEA Y SIGA TODAS LAS INSTRUCCIONES.

2. ADVERTENCIA - Para reducir el riesgo de lesiones, no permita que los niños utilicen este producto a menos que estén supervisados en todo momento.

3. ADVERTENCIA - Riesgo de descarga eléctrica. Conéctelo únicamente a un circuito derivado protegido por un interruptor de circuito por fallo a tierra (GFCI). Póngase en contacto con un electricista cualificado si no puede verificar que un circuito está protegido por un GFCI.

4. ADVERTENCIA - Para reducir el riesgo de descarga eléctrica, sustituya de inmediato cualquier cable dañado.

5. NO lo instale dentro de un recinto exterior o debajo del faldón de una bañera de hidromasaje o spa.

6. PRECAUCIÓN - Esta bomba es para uso con piscinas de instalación permanente y también puede utilizarse con bañeras de hidromasaje y spas si así está marcado. **NO** la utilice con piscinas desmontables. Una piscina de instalación permanente se construye en o sobre el suelo o en un edificio de manera que no pueda desmontarse fácilmente para su almacenamiento. Una piscina almacenable se construye de forma que pueda desmontarse fácilmente para su almacenamiento y volver a montarse con su integridad original.

7. La unidad solamente debe conectarse a un circuito de alimentación que esté protegido por un interruptor de circuito por fallo a tierra (GFCI). Dicho GFCI debe ser proporcionado por el instalador y debe ser probado de forma rutinaria. Para probar el GFCI, pulse el botón de prueba. El GFCI debe interrumpir la corriente. Pulse el botón de reinicio. La corriente debería restablecerse. Si el GFCI no funciona de esta manera, el GFCI está defectuoso. Si el GFCI interrumpe la alimentación de la bomba sin que se pulse el botón de prueba, está fluyendo una corriente a tierra, lo que indica la posibilidad de una descarga eléctrica. No utilice esta bomba. Desconecte la bomba y haga que un representante de servicio cualificado corrija el problema antes de utilizarla.

8. PARA REDUCIR EL RIESGO DE DESCARGA ELÉCTRICA, se suministra un conector de cobre (8 AWG) para conectar el motor a todas las partes metálicas de la estructura de la piscina, spa o bañera de hidromasaje y a todos los equipos eléctricos, conductos metálicos y tuberías metálicas que se encuentren a menos de 1,5 m de las paredes interiores de la piscina, spa o bañera de hidromasaje, cuando el motor esté instalado a menos de 1,5 m de las paredes interiores de la piscina, spa o bañera de hidromasaje.

NOTA: Para el instalador y/u operador de la bomba para piscinas Speck, la garantía del fabricante quedará anulada si la bomba se instala y/u opera incorrectamente.

9. ¡GUARDE ESTAS INSTRUCCIONES!

Instrucciones Generales de Seguridad

Las siguientes directrices proporcionan información para minimizar el riesgo de lesiones a los usuarios de piscinas, spas y bañeras de hidromasaje.

ADVERTENCIA: PARA REDUCIR EL RIESGO DE ATRAPAMIENTO



- La succión de la bomba es peligrosa y puede atrapar y ahogar o destripar a los nadadores.
- El bloqueo de la succión con el cuerpo puede causar lesiones graves o mortales.
- **NO** utilice ni haga funcionar piscinas, spas o bañeras de hidromasaje si falta una cubierta de salida de succión, está rota o suelta.
- Todas las cubiertas de las salidas de succión deben ser mantenidas. Deben sustituirse si faltan, están agrietadas o rotas.
- Todas las salidas de succión deben tener la cubierta correctamente instalada y atornillada.
- El sistema de succión de la bomba debe proporcionar protección contra el peligro de atrapamiento por succión o de atrapamiento/enredo del cabello.
- Proporcione al menos dos desagües principales equilibrados hidráulicamente (a 3' de distancia), con cubiertas como salidas de succión para cada línea de succión de la bomba de circulación.

ADVERTENCIA: RIESGO DE DESCARGA ELÉCTRICA O ELECTROCUCIÓN

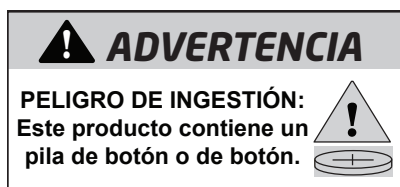


La bomba de la piscina debe ser instalada por un electricista con licencia o certificado o por un técnico de piscinas cualificado de acuerdo con el Código Eléctrico Nacional y todos los códigos y ordenanzas locales aplicables. Una instalación incorrecta creará un riesgo eléctrico que podría causar la muerte o lesiones graves a los usuarios de la piscina, instaladores u otras personas debido a una descarga eléctrica, y también podría causar daños materiales.

Desconecte siempre la alimentación eléctrica de la bomba de la piscina en el disyuntor antes de realizar el mantenimiento de la bomba. De lo contrario, el personal de mantenimiento, los usuarios de la piscina u otras personas podrían morir o sufrir lesiones graves debido a una descarga eléctrica.

ADVERTENCIA: El producto puede contener una batería tipo botón

- Este producto contiene baterías no reemplazables.
- Retire y recicle o deseche inmediatamente las baterías usadas de acuerdo con las regulaciones locales y manténgalas fuera del alcance de los niños. **NO** deseche las baterías en la basura doméstica ni las incinere.
- Incluso las baterías usadas pueden causar lesiones graves o la muerte.
- Las baterías no recargables no se deben recargar.
- **NO** fuerce la descarga, recargue, desmonte, caliente por encima de (la temperatura nominal especificada por el fabricante, +60 grados C) ni incinere. Hacerlo puede provocar lesiones debido a la ventilación, fugas o explosiones que provoquen quemaduras químicas.
- El producto contiene: CR2032, voltaje nominal 3 voltios.
- Llame a un centro local de control de intoxicaciones para obtener información sobre el tratamiento.



gcc

¡GUARDE ESTAS INSTRUCCIONES!

SECCIÓN 1 Información sobre la Instalación

1/1 GUÍA DE PREPARACIÓN

1. Al recibir la bomba, compruebe que la caja no esté dañada. Abra la caja y compruebe si la bomba presenta daños ocultos, como grietas, abolladuras o una base rota. Si se encuentran daños, póngase en contacto con el transportista del distribuidor donde se compró la bomba.

2. Inspeccione el contenido de la caja y compruebe que se incluyen todas las piezas. Consulte la lista de piezas y el despiece para obtener más detalles.

1/2 UBICACIÓN DE LA BOMBA

NOTA: En Canadá, la bomba debe estar situada a un mínimo de tres (3) metros (aproximadamente diez (10) pies) del agua (CSA C22.1).

1. Para un autocebado sin problemas, instale la bomba lo más cerca posible de la piscina. Consulte los códigos locales para conocer la distancia mínima entre la piscina y la bomba.

ADVERTENCIA: Algunos dispositivos del Sistema de Liberación de Vacío de Seguridad (SVRS) no son compatibles con la instalación de válvulas antirretorno. Si la piscina tiene un dispositivo SVRS, asegúrese de confirmar que seguirá funcionando con seguridad si se instalan válvulas antirretorno.

2. Las tuberías deben ser lo más directas y libres de giros o curvas como sea posible, ya que los codos y otros accesorios aumentan en gran medida las pérdidas por fricción que reducen el flujo de agua.

3. Coloque la bomba sobre una base sólida que proporcione un soporte rígido y sin vibraciones, de modo que sea fácilmente accesible para el servicio y el mantenimiento.

4. Instale la bomba en un lugar bien ventilado y protegido de la luz solar directa y de la humedad excesiva (lluvia, aspersores, etc.).

5. Proteja la bomba contra inundaciones y exceso de humedad, y evite que objetos extraños obstruyan la circulación de aire alrededor del motor. Todos los motores generan calor que debe eliminarse proporcionando una ventilación adecuada.

6. **NO** almacene ni utilice gasolina u otros productos inflamables.

7. **NO** retire ninguna etiqueta de alerta de seguridad como **PELIGRO, ADVERTENCIA o PRECAUCIÓN**. Mantenga las etiquetas de seguridad en buen estado y reemplace las que falten o estén dañadas.

8. Proporcione acceso para futuros servicios dejando un área despejada alrededor de la bomba. Deje suficiente espacio por encima de la bomba para retirar la tapa y la cesta para su limpieza.

1/3 TAMAÑO DE TUBERÍAS

NOTA: Todos los tamaños de tubería son capaces de soportar las presiones que suministrará la bomba, pero no necesariamente el caudal. Si la tubería es demasiado pequeña para la bomba, o está elevada por encima del agua, es posible que no se alcance el caudal máximo de galones por minuto (GPM). Si esto ocurre, la bomba formará una bolsa de aire que hará ruido (cavitación). Esto puede acortar la vida útil de la bomba.

SUCCIÓN Y DESCARGA: 1/4 INSTALACIÓN DE FONTANERÍA

1. Cuando se conecten tuberías a los puertos roscados de la bomba, se recomienda utilizar cinta selladora de roscas. Las tuberías roscadas deben tener conexiones adecuadas soldadas con disolvente. Si la tubería de succión no está correctamente sellada, la bomba no se cebará correctamente y bombeará pequeños volúmenes de agua o ninguno.

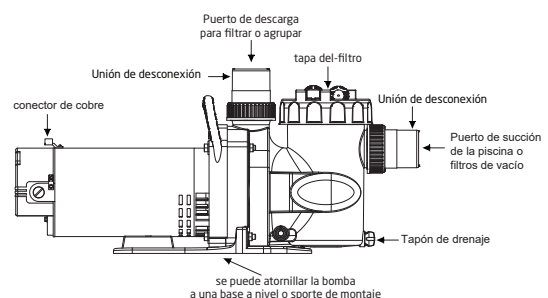
2. Al instalar la bomba, debe procurarse que la tubería de succión quede por debajo del nivel del agua hasta un punto inmediatamente inferior a la bomba para garantizar un cebado rápido mediante una tubería de succión inundada. La altura entre la bomba y el nivel del agua no debe ser superior a cinco (5) pies.

3. Las tuberías de succión y descarga deben apoyarse independientemente en un punto cercano a la bomba para evitar tensiones en la bomba. Utilice siempre válvulas del tamaño adecuado.

4. Cuando se instale la bomba por debajo del nivel del agua, es aconsejable instalar una válvula de compuerta tanto en la tubería de succión como en la de descarga por si fuera necesario desmontar la bomba para su mantenimiento.

5. Antes de poner en marcha la bomba por primera vez, retire la tapa transparente (gire el anillo de la tapa en el sentido contrario a las agujas del reloj para retirarla). Vuelva a colocar la tapa con el anillo de cierre. Apriete la tapa a mano para conseguir un cierre hermético. **NO** utilice ninguna herramienta para apretar la tapa.

6. Utilice el menor número posible de accesorios. Cada accesorio adicional tiene el efecto de alejar el equipo del agua. *NOTA: Si se necesitan más de diez (10) accesorios de succión, deberá aumentarse el tamaño de la tubería.*



SECCIÓN 1 Información sobre la Instalación - continuación

1/5 CONEXIÓN A TIERRA

Al instalar y utilizar el motor, deben seguirse siempre las precauciones básicas de seguridad. El cableado del motor debe ser realizado por un electricista autorizado de acuerdo con los códigos locales.

1. El bastidor del motor debe conectarse a un punto de conexión a tierra fiable utilizando un conductor de cobre sólido, del calibre AWG n° 8 o superior. En Canadá, debe utilizarse un AWG n° 6 o superior. Si la bomba se instala a menos de cinco (5) pies de las paredes interiores de la piscina, spa o bañera de hidromasaje, el bastidor del motor debe estar conectado a todas las piezas metálicas de la estructura de la piscina, spa o bañera de hidromasaje y a todos los equipos eléctricos, conductos metálicos y tuberías metálicas situados a menos de cinco (5) pies de las paredes interiores de la piscina, spa o bañera de hidromasaje.

2. Fije el motor utilizando el terminal externo suministrado.

ADVERTENCIA: *Desconecte siempre la fuente de alimentación antes de trabajar en un motor o en su carga conectada. El motor está equipado con un restablecimiento automático interno. ¡Puede volver a arrancar sin previo aviso!*

ADVERTENCIA: *Para evitar el riesgo de daños materiales, lesiones personales graves y/o la muerte, asegúrese de que el interruptor de control, el reloj programador o el sistema de control estén instalados en un lugar accesible, de modo que en caso de avería del equipo o de que se aflojen las conexiones de fontanería, el equipo pueda desconectarse fácilmente.*

PRECAUCIÓN: *La bomba debe estar permanentemente conectada a un circuito eléctrico exclusivo. No debe conectarse ningún otro equipo, luz, aparato o toma de corriente al circuito de la bomba, a excepción de los dispositivos que deban funcionar simultáneamente con la bomba, como un dispositivo de cloración o un calentador*

1/6 INSTALACIÓN ELÉCTRICA

1. El motor de la bomba debe estar conectado a tierra de forma segura dentro del compartimento de terminales del motor. **NOTA: NO conecte a la alimentación eléctrica hasta que la unidad esté permanentemente conectada a tierra.**

2. El tamaño del cable debe ser el adecuado para minimizar la caída de tensión durante el arranque y el funcionamiento de la bomba.

3. Aísle cuidadosamente todas las conexiones para evitar puestas a tierra o cortocircuitos. Los bordes afilados de los terminales requieren protección adicional. Para evitar que se aflojen las tuercas de los cables, péguelas con cinta aislante eléctrica adecuada y homologada (UL, ETL, CSA). Por seguridad, y para evitar la entrada de contaminantes, vuelva a instalar todas las tapas de los conductos y de la caja de terminales. No fuerce las conexiones en la caja de conductos.

4. Conecte L1, L2/N y la toma de tierra al bloque de terminales como se indica en la placa de características del motor.

1/7 COMPROBACIONES DE VOLTAJE

El voltaje correcto, tal como se especifica en la placa de datos de la bomba, es necesario para un funcionamiento adecuado y una larga vida útil del motor. Un voltaje incorrecto hará que se encienda la luz de error y causará daños al motor si no se apaga inmediatamente.

Es responsabilidad del instalador eléctrico suministrar a la bomba el voltaje de funcionamiento indicado en la placa de datos, asegurándose de que los tamaños de circuito y de cable sean los adecuados para esta aplicación específica.

PRECAUCIÓN: *Si no se suministra la tensión indicada en la placa de datos durante el funcionamiento, el motor se sobrecalentará y se anulará la garantía.*

1/8 PRUEBA DE PRESIÓN

ADVERTENCIA: *Cuando se prueba la presión de un sistema con agua, a menudo queda aire atrapado en el sistema durante el proceso de llenado. Este aire se comprimirá cuando el sistema se presurice. En caso de que el sistema falle, este aire atrapado puede propulsar residuos a gran velocidad y causar lesiones. Debe hacerse todo lo posible para eliminar el aire atrapado, incluida la apertura de la válvula de purga del filtro y el aflojamiento de la tapa de la cesta de la bomba durante el llenado de la misma.*

ADVERTENCIA: *El aire atrapado en el sistema puede hacer que la tapa del filtro salga despedida, lo que puede provocar la muerte, lesiones graves o daños materiales. Asegúrese de que todo el aire se ha purgado correctamente del sistema antes de ponerlo en funcionamiento. NO UTILICE AIRE COMPRIMIDO PARA REALIZAR PRUEBAS DE PRESIÓN O COMPROBAR FUGAS.*

ADVERTENCIA: *Cuando realice la prueba de presión del sistema con agua, es muy importante asegurarse de que la cesta de la bomba y la tapa estén completamente fijas.*

1. Llene el sistema con agua, teniendo cuidado de eliminar el aire atrapado.

2. Presurice el sistema con agua a no más de 35 PSI.

ADVERTENCIA: NO realice pruebas de presión por encima de 35 PSI. La prueba de presión debe ser realizada por un profesional capacitado en piscinas. El equipo de circulación que no se pruebe correctamente podría fallar, lo que podría provocar lesiones graves o daños materiales.

3. Cierre la válvula para atrapar el agua a presión en el sistema.

4. Observe si hay fugas y/o pérdida de presión en el sistema.

5. Si hay fugas, repita los pasos 1-3. *Para obtener asistencia técnica, llame al +1 904-739-2626.*

SECCIÓN 2 FUNCIONAMIENTO, SERVICIO Y MANTENIMIENTO DEL EQUIPO

2/1 GUÍA DE PUESTA EN MARCHA

PRECAUCIÓN: Nunca haga funcionar la bomba sin agua. Hacer funcionar la bomba "en seco" durante cualquier periodo de tiempo puede causar daños graves tanto a la bomba como al motor y anulará la garantía.

Si se trata de una nueva instalación de piscina, asegúrese de que todas las tuberías están libres de residuos de construcción y han sido debidamente probadas a presión. Debe comprobarse que el filtro está correctamente instalado, verificando que todas las conexiones y abrazaderas son seguras de acuerdo con las recomendaciones del fabricante.

ADVERTENCIA: Para evitar el riesgo de daños materiales, lesiones personales graves o la muerte, verifique que toda la alimentación esté desconectada antes de iniciar este procedimiento.

1. Libere toda la presión del sistema y abra la válvula de liberación de presión del filtro (purga de aire).

2. Dependiendo de la ubicación de la bomba, realice una de las siguientes operaciones:

- Si la bomba está situada por debajo del nivel del agua de la piscina, abra la válvula del filtro para cebar la bomba con agua.
- Si la bomba está situada por encima del nivel del agua de la piscina, retire la tapa y llene la cesta con agua antes de poner en marcha la bomba.

3. Antes de volver a colocar la tapa, compruebe si hay residuos alrededor de la junta tórica de la tapa. Los residuos alrededor de la junta tórica de la tapa dificultarán el cebado de la bomba.

4. Apriete la tapa con la mano para sellarla herméticamente. **NO** utilice ninguna herramienta para apretar la tapa: apriétela solo con la mano. Asegúrese de que todas las válvulas están abiertas y las uniones bien apretadas.

5. Una vez que todo el aire haya salido del filtro, cierre la válvula de liberación de presión.

6. Conecte la corriente al motor de la bomba para arrancar.

7. Deje que la bomba funcione durante un máximo de 10 minutos para purgar el aire atrapado en la línea de succión.

8. Si la bomba no se ceba y se han seguido todas las instrucciones hasta este punto, compruebe si hay una fuga de succión. Si hay una fuga, repita los pasos 2 a 6.

NOTA: Es normal que de vez en cuando se escapen algunas gotas de agua del sello mecánico. Esto es especialmente cierto durante el período de rodaje.

9. Para obtener asistencia técnica, llame al +1 904-739-2626.

2/2 MANTENIMIENTO RUTINARIO

Esta bomba requiere poco o ningún servicio aparte del cuidado razonable y la limpieza periódica de la cesta del filtro. **NO** golpee la cesta para limpiarla. Cuando limpie la cesta, inspeccione la junta tórica de la tapa por si está dañada y cámbiela si es necesario.

1. Inspeccione la cesta de la bomba en busca de residuos mirando a través de la tapa transparente de la bomba.

2. Desconecte la alimentación de la bomba. Si la bomba está situada por debajo del nivel del agua, cierre las válvulas de aislamiento en los lados de succión y descarga de la bomba para evitar el reflujo de agua.

3. Retire los residuos, ya que a medida que se acumulen, comenzarán a bloquear el flujo de agua a través de la bomba. Mantenga la cesta limpia y despejada para mejorar el rendimiento de la bomba.

4. Gire el anillo de la tapa en sentido contrario a las agujas del reloj para retirarlo. Retire con cuidado la tapa y el anillo de cierre.

5. Retire la cesta y deseche los residuos adecuadamente en la basura y enjuague la cesta. Compruebe que la cesta no esté agrietada; si lo está, sustitúyala.

6. Vuelva a colocar la cesta en la bomba, alinee la cesta correctamente con el tubo de succión. Luego llene con agua hasta el tubo de succión. Limpie la tapa transparente, la junta tórica y la superficie de sellado de la bomba de cualquier resto de suciedad.

7. Vuelva a colocar la tapa con el anillo de la tapa. Apriete a mano la tapa para que quede sellada herméticamente. **NO** utilice ninguna herramienta para apretar la tapa.

8. Verifique que todas las válvulas han vuelto a la posición adecuada para un funcionamiento normal. Encienda la bomba.

NOTA: Es normal que de vez en cuando se escapen algunas gotas de agua del sello mecánico. Esto es especialmente cierto durante el período de rodaje.

El sello mecánico puede desgastarse o aflojarse con el paso del tiempo, en función del tiempo de funcionamiento y de la calidad del agua. Si se producen fugas continuas de agua, deberá instalarse un sello mecánico nuevo. Después de largos periodos sin funcionamiento (almacenamiento estacional, etc.), debe comprobarse que la bomba gira con facilidad mientras está apagada. Consulte la sección 2/4 Desmontaje y Sustitución del Impulsor y/o del Sello Mecánico.

ADVERTENCIA: Antes de reparar la bomba, desconecte los disyuntores de la fuente de alimentación. Pueden producirse lesiones personales graves o la muerte si la bomba arranca mientras su mano está dentro de la bomba.

SECCIÓN 2 FUNCIONAMIENTO, SERVICIO Y MANTENIMIENTO DEL EQUIPO - continuación

2/3 PREPARACIÓN PARA EL INVIERNO

PRECAUCIÓN: La bomba debe protegerse cuando se esperan temperaturas bajo cero. Permitir que la bomba se congele causará daños severos y anulará la garantía.

Hay dos opciones para preparar la bomba para el invierno.

OPCIÓN 1:

1. Vacíe toda el agua de la bomba, del equipo del sistema y de las tuberías.

2. Retire los tapones de drenaje. **NO** sustituya los tapones. Guarde los tapones en la cesta del filtro vacía para el invierno.

3. Mantenga el motor cubierto y seco.

OPCIÓN 2:

1. Vacíe toda el agua de la bomba, del equipo del sistema y de las tuberías.

2. Retire la bomba y el motor de las tuberías y guárdelos en un lugar cálido y seco.

NOTA: Cuando termine la temporada de invierno, será necesario comprobar y cebar la bomba antes de ponerla en marcha.

PRECAUCIÓN: NO haga funcionar la bomba en seco. Si la bomba funciona en seco, el sello mecánico se dañará y la bomba comenzará a tener fugas en el sello. Si esto ocurre, será necesario reemplazar el sello mecánico. Mantenga SIEMPRE el nivel de agua adecuado en su piscina. El funcionamiento continuado de esta manera podría causar una pérdida de presión, lo que provocaría daños en la carcasa de la bomba, el impulsor y el sello mecánico.

2/4 DESMONTAJE Y SUSTITUCIÓN DEL IMPULSOR Y/O DEL SELLO MECÁNICO

ADVERTENCIA: Antes de realizar el mantenimiento de la bomba, desconecte los disyuntores de la fuente de alimentación. Pueden producirse lesiones personales graves o la muerte si la bomba arranca mientras su mano está dentro de la bomba.

1. Apague la bomba. Desconecte el disyuntor del motor de la bomba. Si no va a sustituir el motor, no desconecte el cableado eléctrico.

2. Cierre todas las válvulas para evitar que el agua de la piscina llegue a la bomba. Drene el agua de la bomba aflojando las uniones o quitando el tapón de drenaje.

3. Retire los cuatro (4) tornillos pasantes y las tuercas que conectan la carcasa/depósito del filtro de la bomba a la brida de la bomba.

4. Extraiga el motor y la brida/carcasa de sellado de la carcasa/depósito del filtro de la bomba. Retire la junta tórica de la carcasa de la bomba. El impulsor está conectado al eje del motor.

5. Retire el difusor tirando suavemente del difusor (el difusor es la cubierta sobre el impulsor) horizontalmente hasta que los pasadores salgan de la carcasa de sellado.

6. Retire la tapa de la parte trasera del motor. Coloque un destornillador de cabeza plana a través de la ranura del destornillador en el eje del motor.

7. Mientras sujeta el eje del motor, gire el impulsor en sentido antihorario para extraerlo del eje.

8. Tire suavemente del sello mecánico del eje del impulsor, teniendo en cuenta la forma en que se instaló originalmente.

PRECAUCIÓN: NO dañe las superficies de sellado cerámicas o de carbono del sello. Si se dañan las superficies de sellado, se producirán fugas.

9. Usando agua con una pequeña cantidad de detergente para platos, cepille el eje del impulsor para facilitar el montaje.

10. Con el lado de carbono hacia arriba, empuje el sello mecánico sobre el eje del impulsor y limpie la superficie de carbono con un paño limpio. **PRECAUCIÓN: NO** utilice grasa ni lubricante para instalar el sello. Dañará el sello y causará fallos.

11. El lado de cerámica del sello puede empujarse hacia fuera desde la parte posterior de la carcasa de sellado. Tenga en cuenta su posición antes de retirarlo.

12. Utilizando solo agua, humedezca el lado de cerámica del sello y, con los pulgares, empújelo hacia el interior de la carcasa de sellado. Limpie la superficie con un paño limpio.

13. Limpie el eje del motor de todos los residuos y aplique una sola gota de LOCTITE® a las roscas del eje del motor.

14. Instale el impulsor girándolo en el sentido de las agujas del reloj sobre el eje del motor. Siga girando en el sentido de las agujas del reloj hasta que los lados de carbono y cerámica hagan contacto y el resorte del sello se comprima ligeramente.

15. Instale el difusor alineando los pasadores del difusor con los orificios de la carcasa de sellado y presionando entre sí.

16. Asegúrese de que las juntas tóricas del difusor y de la carcasa están en su sitio y libres de residuos. Vuelva a colocar la junta tórica de la carcasa. Deslice la brida/carcasa de sellado del motor en la carcasa.

17. Instale los cuatro tornillos pasantes y las tuercas de la carcasa siguiendo un patrón cruzado de lado a lado y de arriba abajo. **PRECAUCIÓN: NO** apriete en exceso.

SECCIÓN 2 FUNCIONAMIENTO, SERVICIO Y MANTENIMIENTO DEL EQUIPO

2/5 SUSTITUCIÓN DEL MOTOR

ADVERTENCIA: El mantenimiento de la bomba debe realizarlo un técnico profesional cualificado en la instalación de piscinas/spa. Los siguientes procedimientos deben seguirse al pie de la letra. La instalación y/o el funcionamiento incorrectos pueden crear riesgos eléctricos peligrosos, que pueden hacer que corra alta tensión por el sistema eléctrico. Esto puede causar daños materiales, lesiones personales graves y/o la muerte. La instalación y/o el funcionamiento incorrectos anularán la garantía.

1. Desconecte el cableado del lado del motor. (Consulte la instalación eléctrica).
2. Retire los cuatro (4) tornillos pasantes y las tuercas que sujetan la brida/carcasa de sellado a la carcasa/depósito del filtro de la bomba.
3. Deslice el motor y la brida/carcasa de sellado fuera de la carcasa/depósito del filtro.
4. Retire el difusor tirando suavemente del difusor horizontalmente hasta que los pasadores queden libres de la brida/carcasa de sellado.

5. Retire la tapa trasera del motor y coloque un destornillador plano térmico en la ranura del destornillador en la parte trasera del eje del motor.
6. Mientras sujeta el eje del motor, gire el impulsor en sentido antihorario.
7. Tire de la carcasa de sellado para separarla de la brida de la bomba.
8. Retire los cuatro tornillos de la brida (cabeza Allen de 7/32"). Extraiga la brida de la parte delantera del motor.
9. Retire la brida del motor.
10. Retire el deflector del motor antiguo e instálelo en el motor nuevo.
11. Limpie las superficies del sello. Consulte la Sección 2/4 *Desmontaje y Sustitución del Impulsor y/o del Sello Mecánico*.
12. Vuelva a montarlo en orden inverso.

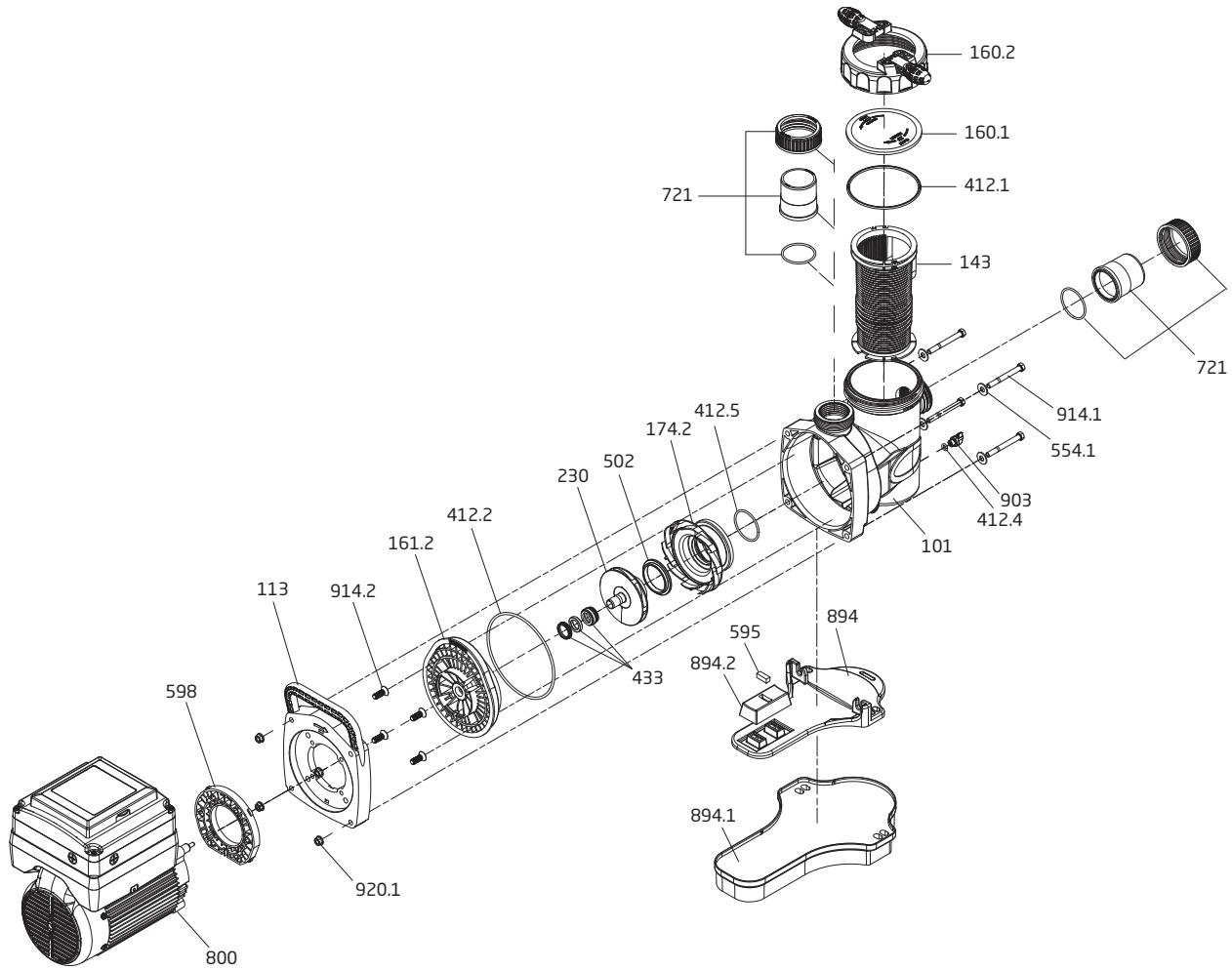
SECCIÓN 3 GUÍA DE RESOLUCIÓN DE PROBLEMAS

PROBLEMA	POSIBLES CAUSAS	SOLUCIÓN
1. La bomba no se ceba.	<ol style="list-style-type: none">a. Fuga de aire de succión.b. No hay agua en la bomba.c. Válvulas cerradas o tuberías obstruidas.d. Baja tensión en el motor.	<p>Asegurarse de que la tapa transparente y la junta tórica están limpias y correctamente colocadas. Apretar la tapa transparente (a mano). Apretar todos los tubos y accesorios del lado de succión de la bomba. Asegurarse de que el agua de la piscina es lo suficientemente alta como para fluir a través del skimmer.</p> <p>Asegurarse de que el depósito del filtro está lleno de agua.</p> <p>Abrir todas las válvulas del sistema. Limpiar el skimmer y el depósito del filtro. Abrir la bomba y comprobar si el impulsor está obstruido.</p> <p>Comprobar la tensión del motor. Si es baja, la bomba no funcionará.</p>
2. El motor no gira.	<ol style="list-style-type: none">a. No hay corriente en el motor.b. Bomba atascada.	<p>Comprobar que todos los interruptores de alimentación están encendidos. Asegurarse de que el fusible o el disyuntor estén correctamente ajustados. ¿La hora está bien ajustada? Comprobar el cableado del motor en los terminales.</p> <p>Con la corriente desconectada, girar el eje. Debe girar libremente. Si no es así, desmontar y reparar.</p>
3. Caudal bajo.	<ol style="list-style-type: none">a. Filtro sucio.b. Sin cesta de skimmer.c. Válvulas cerradas o conductos obstruidos.d. Fuga de aire de succión.	<p>Lavar a contracorriente el filtro cuando la presión del filtro sea alta, o limpiar los cartuchos.</p> <p>Limpiar el skimmer y la cesta del filtro de la bomba.</p> <p>Ver problema 1.</p> <p>Ver problema 1.</p>

SECCIÓN 3 GUÍA DE RESOLUCIÓN DE PROBLEMAS - continuación

PROBLEMA	POSIBLES CAUSAS	SOLUCIÓN
4. Funcionamiento ruidoso del motor.	a. Malos rodamientos.	Ruido al girar el eje hacia arriba con la mano. El motor está caliente en la zona del cojinete cuando está en marcha. Sustituir el cojinete.
5. El motor se calienta.	Estos motores funcionarán calientes al tacto, sin embargo, esto es normal. Están diseñados de esa manera. El protector de sobrecarga térmica funcionará para apagarlos si hay una sobrecarga o un problema de alta temperatura. El calor excesivo puede ser causado por: a. Baja tensión. b. Instalado al sol directo. c. Mala ventilación.	Aumentar el tamaño del cable eléctrico. Asegurarse de que el motor funciona con la tensión correcta. Proteger el motor de los rayos solares. No apretar la cubierta o el cerramiento del motor.
6. Funcionamiento ruidoso de la bomba.	a. Fuga de aire en la línea de succión. Burbujas en el agua que vuelven a la piscina en la entrada. b. Línea de succión restringida debido a una obstrucción o a una tubería de tamaño insuficiente. Indicado por la lectura de alto vacío en la succión de la bomba. c. Materias extrañas (grava, metal, etc.) en el impulsor de la bomba. d. Cavitación.	Reparar fuga. Comprobar tubo de succión. ¿La tapa transparente está en su sitio? ¿La junta tórica está limpia? Eliminar la obstrucción o aumentar el tamaño del tubo de succión. Asegurarse de que el depósito del filtro está limpio. ¿Están todas las válvulas de succión completamente abiertas? Desmontar la bomba y eliminar las materias extrañas del impulsor. Mejorar las condiciones de succión. (Reduzca la vida útil de la succión, reduzca el número de accesorios, aumente el tamaño de la tubería). Aumentar la presión de descarga y reducir el caudal estrangulando la válvula de descarga.
7. La protección contra sobrecarga del motor "salta".	a. El motor no está conectado correctamente. b. Baja tensión debido a un cable de tamaño insuficiente o a una baja tensión de entrada. c. Calentadores de tamaño incorrecto en el dispositivo de protección. d. Sobrecarga por atascamiento en la bomba o tamaño incorrecto del impulsor.	Comprobar el diagrama de cableado del motor. Comprobarlo con el voltímetro. Aumentar el tamaño del cable de alimentación. Informar a la compañía eléctrica si la tensión de alimentación es baja. La tensión en el motor debe estar dentro del 10% de la tensión indicada en la placa del motor. Los calentadores deben tener un tamaño mayor que los amperios a plena carga indicados en la placa del motor. Indicado por lecturas de alto amperaje en el motor, hay un atasco en el eje. Desmontar la unidad y corregirlo.

SECCIÓN 4 PIEZAS DE REPUESTO Y VISTA DE DESPIECE - continuación



Drawing #	Qty Required	Description
160.1	1	Lid - Clear
Not Shown	1	Lid - Clear w/ Led Light
160.2	1	Lid - Lock Ring w/ Handles
412.1	1	O-ring - Lid 137 x 5mm
143	1	Basket
101	1	Casing (1.5")
101	1	Casing (2.0")
903	1	Drain Plug - Winged w/ O-ring
914.1	4	Screw - 3/8-16 x 3-1/2" Hex Cap SS
554.1	4	Washer - Flat 3/8" SS
920.1	4	Nut - 3/8-16 Brass
595	1	Rubber Buffer - 10 x 10 x 27mm
894.1	1	Riser for WF
894.2	1	Motor Support
894	1	Base Plate
412.5	1	O-ring - Diffuser 90 x 5mm
174.2	1	Diffuser (-I, -II)

Drawing #	Qty Required	Description
174.2	1	Diffuser (-III, -IV, -V)
174.2	1	Diffuser (-VI)
502	1	Wear Ring (-III, -IV, -V)
230	1	Impeller (-II)
230	1	Impeller (-III)
230	1	Impeller (-IV)
230	1	Impeller (-V)
230	1	Impeller (-VI)
433	1	Mechanical Seal (20mm) - Carbon/Ceramic
412.2	1	O-ring - Casing 190 x 5mm
161.2	1	Seal Housing
914.2	4	Screw - 3/8-16 x 2" (Allen Head)
113	1	Flange
598	1	Motor Flange
721	1	1.5" Union Package - Suction/Discharge
721	1	2.0" Union Package - Suction/Discharge

SECCIÓN 5 INFORMACIÓN DE MANTENIMIENTO

Cuando llame al fabricante en relación con una pregunta o un problema con su bomba, tenga a mano el número de serie. El número de serie se encuentra en la bomba, ya sea en la brida o en las etiquetas del motor.

Su instalador puede suministrarle piezas de recambio. Llame, envíe un fax o escriba a: Speck Pumps at 8125 Bayberry Road, Jacksonville, Florida 32256 Teléfono: +1 (904) 739-2626 Fax: +1 (904) 737-5261, correo electrónico: technical.usa@speck-pumps.com

SECCIÓN 6 REGISTRO DEL PRODUCTO

Gracias por adquirir un producto SPECK PUMPS®. Por favor, dedique unos minutos a registrarlo online. Su registro nos ayuda a mantenerlo al día sobre información y ofertas de productos.

Antes de registrarse:

¿Qué necesito para empezar?

- El número de serie y el nombre del modelo
- Una dirección de correo electrónico. La utilizaremos para enviarle la confirmación de su registro.
- Una copia de su recibo de compra y/o de la factura del instalador cualificado.

Para registrar su equipo SPECK, regístrese en línea en usa.speck-pumps.com

o

Escanee el código QR para registrar el producto



SECCIÓN 7 GARANTÍA LIMITADA

Speck Pumps-Pool Products, Inc. concede exclusivamente al comprador consumidor original ("Comprador") de la bomba y el motor la siguiente garantía personal, intransferible y limitada en los siguientes términos y condiciones (la "Garantía Limitada"): se garantiza que la bomba y el motor están libres de defectos materiales en materiales o mano de obra en condiciones normales de uso durante un período de dos (2) años a partir de la fecha de compra de la bomba y el motor por parte del Comprador. No obstante cualquier disposición contraria contenida en el presente documento, las garantías y obligaciones en virtud del presente documento no se extenderán en ningún caso más de tres (3) años después de la fecha de envío de la bomba y el motor desde la fábrica (el "Período de Garantía Limitada"). La Garantía Limitada está sujeta a cada uno de los siguientes términos y condiciones adicionales:

1. EN CASO DE INCUMPLIMIENTO DE LA GARANTÍA LIMITADA, TODA LA OBLIGACIÓN Y RESPONSABILIDAD DE SPECK PUMPS - POOL PRODUCTS, INC. ANTE EL COMPRADOR, Y EL ÚNICO Y EXCLUSIVO RECURSO DEL COMPRADOR SERÁN LOS SIGUIENTES:

Speck Pumps - Pool Products, Inc. reparará o sustituirá, a su elección, la bomba y el motor o reembolsará al Comprador el precio de compra realmente pagado por el Comprador por la bomba y el motor sujetos a la Garantía Limitada. Speck Pumps - Pool Products, Inc. no tendrá ninguna obligación en virtud de la Garantía Limitada a menos que el Comprador entregue una notificación oportuna por escrito a Speck Pumps - Pool Products, Inc. de la reclamación de Garantía Limitada dentro del Período de Garantía Limitada y devuelva la bomba y el motor a Speck Pumps - Pool Products, Inc. si así se solicita. En la máxima medida permitida por la ley, Speck Pumps - Pool Products, Inc. renuncia expresamente a cualquier responsabilidad por, y la Garantía Limitada no incluye ni cubre, cualquier mano de obra, costos u otros gastos en relación con la remoción, transporte, envío, seguro, reemplazo, reparación o instalación de piezas reparadas o reemplazadas o por cualquier otro costo o gasto o daños a la propiedad o cosas incluyendo, pero no limitado a, los que surjan en relación con el uso de, o la imposibilidad de usar, la bomba y el motor.

2. En la máxima medida permitida por la ley, la Garantía Limitada será nula y sin fuerza ni efecto y Speck Pumps - Pool Products, Inc. no tendrá ninguna responsabilidad y obligación ante el Comprador o con respecto a la bomba y el motor en caso de que se produzca una o más de las siguientes situaciones:

- Cualquier daño a la bomba y al motor causado por el Comprador, cualquier tercero, movimiento del terreno, otras fuerzas naturales, casos fortuitos o cualquier otra fuente o causa que no se derive de un incumplimiento de la Garantía Limitada, excluido el desgaste ordinario;
- Cualquier sustitución, modificación, alteración o reparación de cualquier pieza o componente de la bomba y el motor por cualquier persona que no sea Speck Pumps - Pool Products, Inc.;
- Cualquier abuso, uso indebido, accidente, manipulación, instalación incorrecta o modificación de la bomba y el motor o cualquier otra acción, inactividad u omisión que infrinja los términos y condiciones de esta Garantía Limitada;
- Incumplimiento o imposibilidad por parte del Comprador de presentar una factura, recibo u otra documentación que demuestre claramente que la bomba y el motor se instalaron y mantuvieron en estricto cumplimiento de esta Garantía Limitada y que la reclamación se presentó a tiempo dentro del Período de Garantía Limitada; y/o

SECCIÓN 7 GARANTÍA LIMITADA - continuación

(e) Incumplimiento por parte del Comprador de las condiciones y contingencias establecidas en el apartado 3 siguiente.

3. La Garantía Limitada está expresamente condicionada y supeditada al estricto cumplimiento por parte del Comprador de cada uno de los siguientes puntos:

- (a) Instalación de la bomba y el motor por parte de un profesional de la industria de piscinas experimentado y calificado y un electricista matriculado que cuente con licencia dentro de la jurisdicción en la que se instala y se utilizará la bomba y el motor; y
- (b) La operación y el mantenimiento de la bomba y el motor por parte del Comprador en estricta conformidad con los manuales impresos de operación/mantenimiento de Speck Pumps - Pool Products, Inc. entregados con la bomba y el motor.

4. DESCARGO DE RESPONSABILIDAD: LA GARANTÍA LIMITADA ES LA ÚNICA GARANTÍA OFRECIDA Y SUSTITUYE A TODAS LAS DEMÁS GARANTÍAS, Y TODAS Y CADA UNA DE LAS GARANTÍAS O CONDICIONES IMPLÍCITAS DE COMERCIABILIDAD, LA GARANTÍA IMPLÍCITA CONTRA INFRACCIONES Y LA GARANTÍA O CONDICIÓN IMPLÍCITA DE IDONEIDAD PARA UN FIN DETERMINADO QUEDAN EXPRESAMENTE LIMITADAS EN SU ALCANCE Y DURACIÓN AL PLAZO DE DOS AÑOS DE VIGENCIA DE LA GARANTÍA LIMITADA AQUÍ ESTABLECIDA. ALGUNOS ESTADOS NO PERMITEN LIMITACIONES EN CUANTO A LA DURACIÓN DE UNA GARANTÍA IMPLÍCITA, POR LO QUE ES POSIBLE QUE LA LIMITACIÓN ANTERIOR NO SE APLIQUE AL COMPRADOR.

5. EN LA MÁXIMA MEDIDA PERMITIDA POR LA LEY, EN NINGÚN CASO SPECK PUMPS - POOL PRODUCTS, INC. NI SUS FUNCIONARIOS, DIRECTORES, EMPLEADOS, ACCIONISTAS, AGENTES O REPRESENTANTES SERÁN RESPONSABLES DE NINGÚN DAÑO O PÉRDIDA ESPECIAL, INDIRECTO, INCIDENTAL, EJEMPLAR O CONSECUENTE, INCLUYENDO TIEMPO, DINERO, BUENA VOLUNTAD Y PÉRDIDA DE GANANCIAS DE NINGUNA MANERA QUE PUEDA SURGIR EN VIRTUD DEL PRESENTE O DEL USO O IMPOSIBILIDAD DE USO DE LA BOMBA Y EL MOTOR O DEL CUMPLIMIENTO O INCUMPLIMIENTO DE CUALQUIER OBLIGACIÓN EN VIRTUD DE ESTA GARANTÍA LIMITADA. ESTE PÁRRAFO, LAS RENUNCIAS DE GARANTÍA DEL PÁRRAFO 4 ANTERIOR Y EL ÚNICO Y EXCLUSIVO RECURSO ESTABLECIDO EN EL PÁRRAFO 1 ANTERIOR SE APLICARÁN INCLUSO SI SPECK PUMPS - POOL PRODUCTS, INC. HAYA SIDO NOTIFICADA DE LA POSIBILIDAD O PROBABILIDAD DE QUE SE PRODUZCAN DICHOS DAÑOS, INDEPENDIEMENTE DE QUE DICHA RESPONSABILIDAD SE BASE EN UN CONTRATO, AGRAVIO, NEGLIGENCIA, RESPONSABILIDAD ESTRICTA, RESPONSABILIDAD POR PRODUCTOS DEFECTUOSOS O DE OTRO TIPO, E INCLUSO SI ALGUNA DE LAS SOLUCIONES AQUÍ ESTABLECIDAS NO CUMPLE SU FINALIDAD ESENCIAL. ALGUNOS ESTADOS NO PERMITEN LA EXCLUSIÓN O LIMITACIÓN DE DAÑOS O PÉRDIDAS ESPECIALES, INDIRECTOS, INCIDENTALES, EJEMPLARES O CONSECUENTES, POR LO QUE ES POSIBLE QUE LAS EXCLUSIONES Y LIMITACIONES ANTERIORES NO SEAN APLICABLES.

6. Esta Garantía Limitada otorga al Comprador derechos legales específicos, y el Comprador también puede tener otros derechos, que varían de un estado a otro.

7. Se debe obtener una autorización de devolución de mercancía de Speck Pumps - Pool Products, Inc. antes de devolver cualquier producto. Los productos devueltos sin dicha autorización serán rechazados y devueltos, sin abrir, al Comprador. Todos los productos devueltos deben ser enviados a portes pagados y asegurados para la protección del Comprador al fabricante en la siguiente dirección: 8125 Bayberry Road, Jacksonville, Florida 32256. Bajo ninguna condición se aceptarán productos después del vencimiento del Período de Garantía Limitada. Speck Pumps - Pool Products, Inc. no asumirá ningún costo o riesgo incurrido por el Comprador en el envío de una bomba y motor defectuosos a Speck Pumps - Pool Products, Inc. o en el envío de una bomba y motor reparados o reemplazados al Comprador.

Soporte técnico:

Dirección: Speck Pumps
8125 Bayberry Road
Jacksonville, FL. 32256
USA

Horario: (Lunes - Viernes) 8:00 am to 5:00 pm EST

Teléfono: +1 904-739-2626

Fax: +1 904-737-5261

Sitio web: usa.speck-pumps.com

Fecha de instalación: _____

Instalado por: _____

Número de serie: _____

Para llamar al servicio técnico: _____

