

Model 21-80 G & GS

BADU® SwimJet Pump

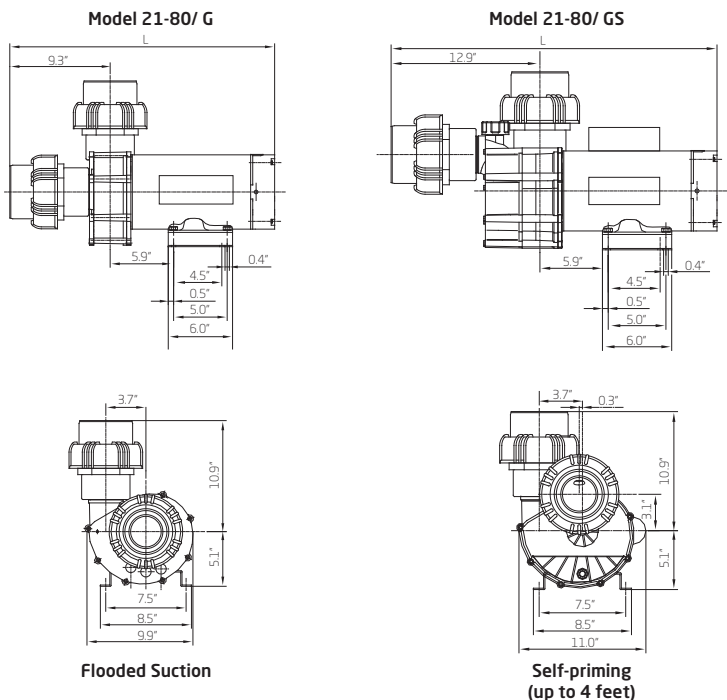
The Speck Model 21-80 is a high efficiency, plastic swimjet pump. The pump design provides maximum flow at low head and is available in two versions: flooded suction or self-priming.

Features

- This high volume, low head pump comes complete with our unique mechanical shaft seal that allows the pump, if mistreated, to run dry for up to one hour.
- Non-corrosive, chemical/UV resistant, and can withstand temperatures of up to 175°F.
- The pump can be used for pool water with a salt concentration of up to 5000 ppm.
- Equipped with 4" quick disconnect unions for easy installation and maintenance.
- For pool users' safety, the impeller has a dielectric shaft sleeve that provides absolute separation between pool water and electric parts.
- Heavy duty "1081" E-plus®/extreme-E™ energy efficient motors for extra low energy consumption. This large 56 frame motor is thermally protected, has a PSC switchless design and extra large sealed ball bearings.
- Motor is easy to remove without disturbing the plumbing. Reusable o-rings throughout.
- Every pump is performance tested before leaving the Speck factory.

Please Note: This pump is NOT for swimming pool filtration.

Dimensional Drawing



Model 21-80/G



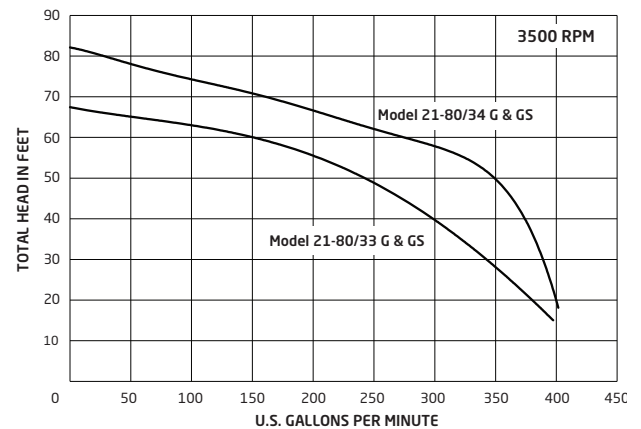
Model 21-80/GS

Trademarks and Certifications



CONFORMS TO
NSF/ANSI Std. 50
Intertek
3166644

Performance Curves



MODEL	DIMENSION "L"	SHIPPING WEIGHT
Model 21-80/33 G	25.8"	71 lbs.
Model 21-80/33 GS	29.5"	71 lbs.
Model 21-80/34 G	25.8"	76 lbs.
Model 21-80/34 GS	29.5"	77 lbs.