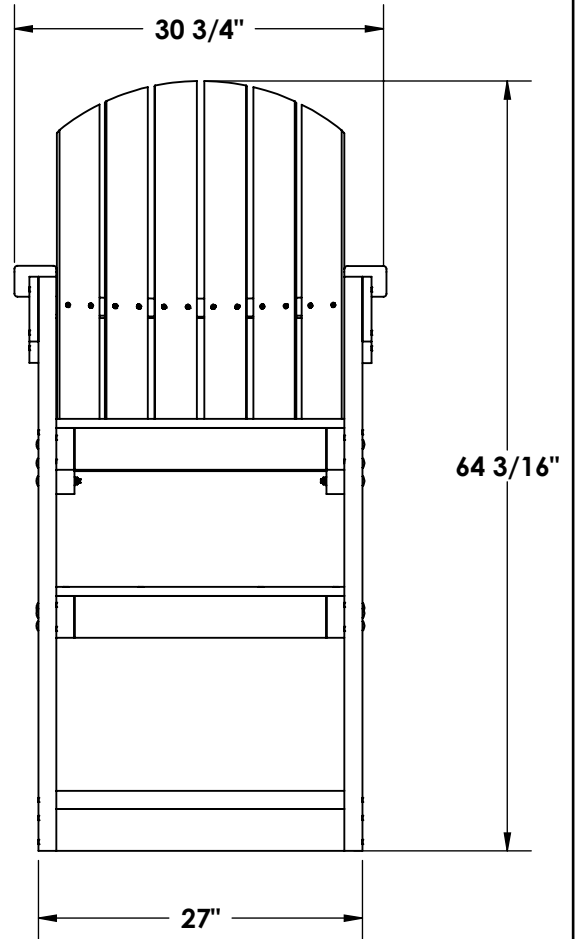
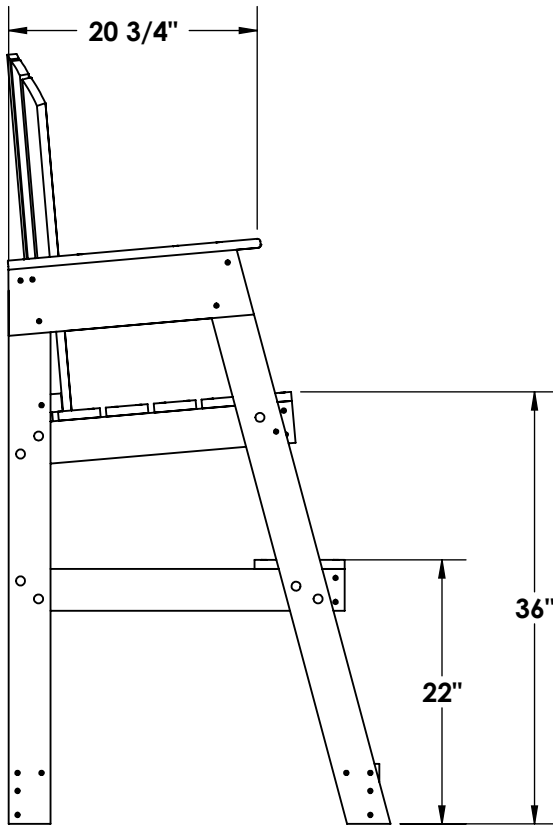
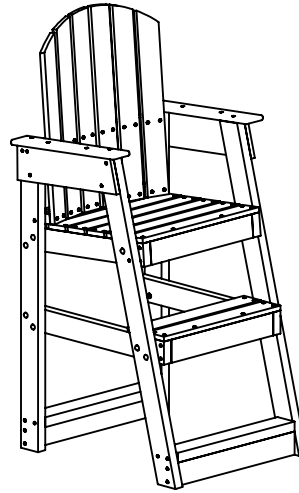
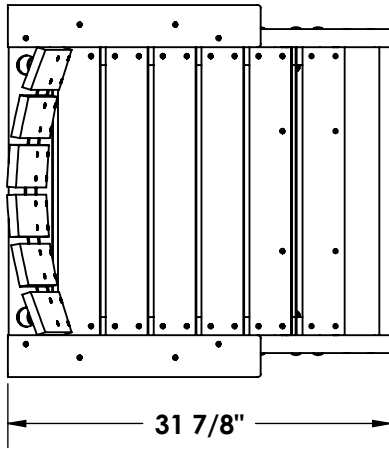


**GUARDIAN
MODEL - 36" MENDOTA**



*Note: Specifications are nominal and are subject to change.
Please contact Spectrum Products for custom applications.

SPECTRUM
Products

7100 Spectrum Lane
Missoula, Montana 59808
406.542.9781 * 800.791.8056
Fax: 406.542.1158
www.spectrumproducts.com

ENGINEERING DATA

PRODUCT:	36" MENDOTA
PRODUCT #:	42022
REVISION:	A
MATERIAL:	HDPE