

Legacy Single Post Starting Blocks

The Legacy single post models are ideal for highly competitive swimming facilities. The powder-coated, stainless-steel frame is secured to the pool deck with a proprietary RockSolid® anchor to eliminate platform movement.



Legacy Standard



Legacy Long Reach



Legacy Side Mount

- High-impact footboards with laminated cores reinforced with fiberglass in a gelcoat skin with a non-slip tread
- The 2.5" square, 304 stainless-steel tubing is powder-coated for added corrosion resistance
- Choose from 4 different backstroke handle designs
- Proprietary RockSolid anchoring system (NOT INCLUDED)
- Meets FINA, NCAA, NFSHSA, USMS, USAS competition pool rules and regulations
- New SolidStart Edge for enhanced hand grip is standard

Part No.	Description
LEGACY-SP-9999A	Legacy
LGCYL1-SP-9999A	Legacy Mid-Range
LGCYL2-SP-9999A	Legacy Long Reach
LSM-9999A	Legacy Side Mount

Number of steps (1 or 2) will vary depending on setback and height of starting platform.

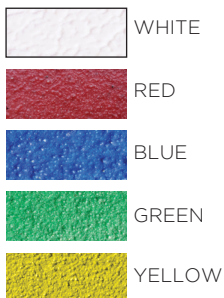
Can be customized with team logos and colors for an additional charge. Call for quote.

Setback Ranges

Part No.	Setback* Range	Footboard Dimensions
Legacy Standard & Side Mount	21" to 26"	24" x 32"
Legacy Mid-Range	27" to 32"	24" x 32"
Legacy Long Reach	33" to 40"	24" x 32"

*Setback is to center of the anchor

Sand Tread Colors

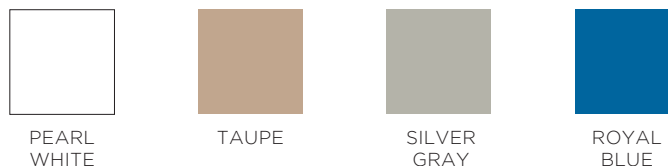


Custom colors and logo available for an additional charge

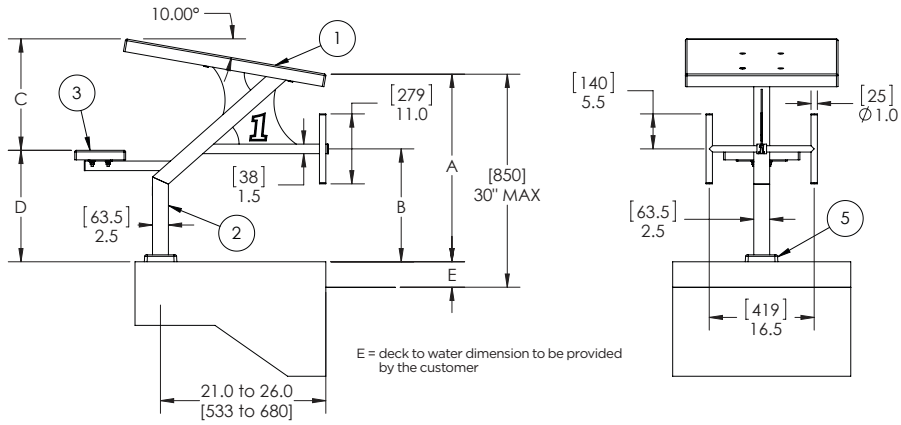
Components

Part No.	Description
8-623B-R	Replacement Footboard (24"x32")
27-107	RockSolid Anchor
20-191	Safety Cap for Anchor
4-175-R	Side Handles

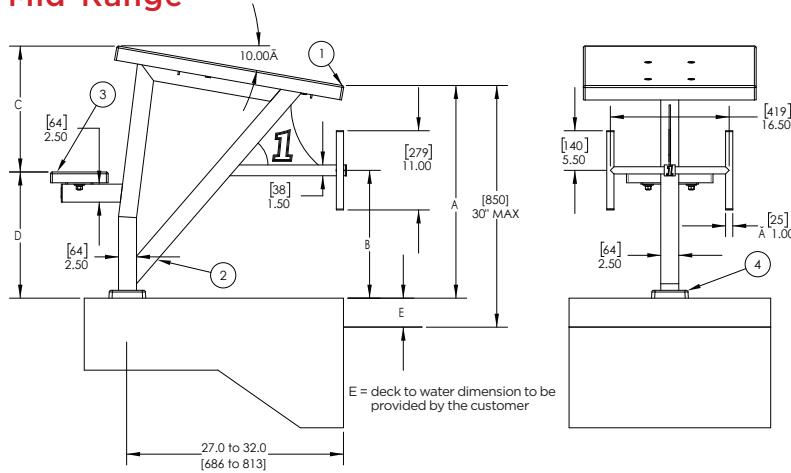
Frame Colors



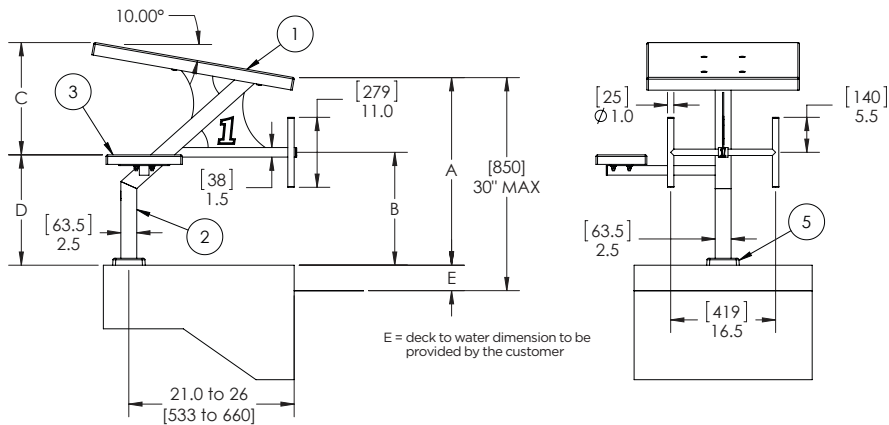
Standard



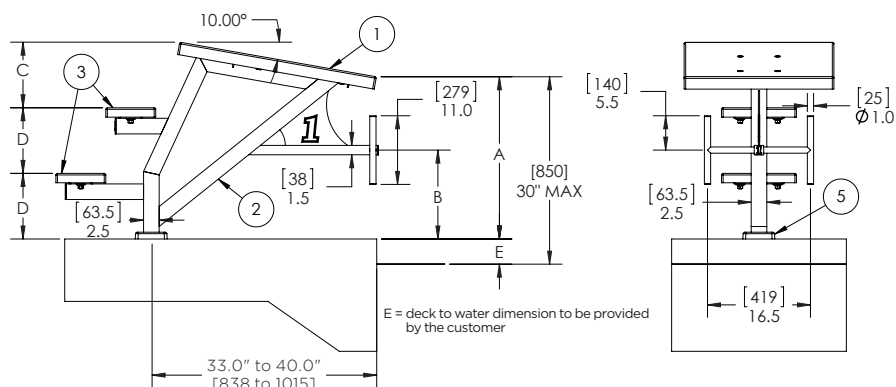
Mid-Range



Side Mount



Long Reach



For drawings & specifications
please refer to
SRSmith.com/SpecfierCentral

Legacy Dual Post Starting Blocks

The Legacy dual post models are ideal for competitive swimming facilities.



Legacy Dual Post Standard

- High-impact footboards with laminated cores reinforced with fiberglass in a gelcoat skin with a non-slip tread
- Frames made from commercial grade, 1.90" stainless steel, powder-coated for additional protection
- Proprietary RockSolid® anchoring system (NOT INCLUDED)
- SolidStart Edge for enhanced hand grip is standard
- Optional side handles available
- Choose from 4 different backstroke handle designs
- Meets FINA, USA Swimming, NCAA, NFSH and USMS competition pool rules and guidelines



Legacy Dual Post Long Reach

Part No.	Description
LEGACY-DP-SP-9999A	Legacy Dual Post
LGCYL2-DP-SP-9999A	Legacy Dual Post Long Reach

RockSolid Anchor required with Long Reach models. Various escutcheon styles available. Can be customized with team logos and colors for an additional charge. Call for quote.

Setback Ranges

Part No.	Setback* Range	Footboard Dimensions
Legacy Standard	18" to 26"	24" x 32"
Legacy Long Reach	27" to 36"	24" x 32"

*Setback is to center of the anchor

Sand Tread Colors



Custom colors and logo available for an additional charge

Components

Part No.	Description
8-623B-R	Replacement Footboard
27-108	RockSolid Dual Post Anchor
27-105	Standard Dual Post Anchor
4-170A-DP	Side Handles

Frame Colors



Legacy II Starting Blocks

The Legacy II is an economical choice for recreational swimming facilities.

- Footboard has a sanded tread for safety
- The 1.90", .145" wall 304 stainless-steel tubing is electropolished for added corrosion resistance
- Use with the dual post anchor assembly for easy installation
- Meets FINA, NCAA, NFSHSA, USMS, USAS and competition pool rules and regulations

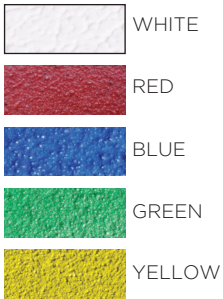


NOTE: Frame available in polished steel only

Frame Color



Sand Tread Colors



Custom colors and logo available for an additional charge

Part No.	Description
LEGACY IIA	Legacy II with anchor

Add A to the end of the part number to order without an anchor

Setback Ranges

Part No.	Setback* Range	Height Off Deck	Footboard Dimensions
Legacy II	18"	17" to 29.5"	24" x 20"

*Setback is to center of the anchor
Height from deck edge to top front edge of the platform

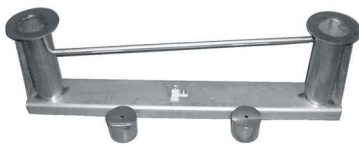
Components

Part No.	Description
27-105	Dual Post Anchor (standard)
27-108	RockSolid Dual Post Anchor
8-616B	Footboard (24"x20")

PART NUMBER	A	B	C	F*
Legacy 30-30 thru 40-30	30	35.00	18.00	30 thru 40
Legacy 30-29.5 thru 40-29.5	29.5	34.50	17.50	30 thru 40
Legacy 30-29 thru 40-29	29	34.00	17.00	30 thru 40
Legacy 30-28.5 thru 40-28.5	28.5	33.50	16.50	30 thru 40
Legacy 30-28 thru 40-28	28	33.00	16.00	30 thru 40
Legacy 30-27.5 thru 40-27.5	27.5	32.50	15.50	30 thru 40
Legacy 30-27 thru 40-27	27	32.00	15.00	30 thru 40
Legacy 30-26.5 thru 40-26.5	26.5	31.50	14.50	30 thru 40
Legacy 30-26 thru 40-26	26	31.00	14.00	30 thru 40
Legacy 30-25.5 thru 40-25.5	25.5	30.50	13.50	30 thru 40
Legacy 30-25 thru 40-25	25	30.00	13.00	30 thru 40
Legacy 30-24.5 thru 40-24.5	24.5	29.50	12.50	30 thru 40
Legacy 30-24 thru 40-24	24	29.00	12.00	30 thru 40
Legacy 30-23.5 thru 40-23.5	23.5	28.50	11.50	30 thru 40
Legacy 30-23 thru 40-23	23	28.00	11.00	30 thru 40
Legacy 30-22.5 thru 40-22.5	22.5	27.50	10.50	30 thru 40
Legacy 30-22 thru 40-22	22	27.00	10.00	30 thru 40
Legacy 30-21.5 thru 40-21.5	21.5	26.50	9.50	30 thru 40
Legacy 30-21 thru 40-21	21	26.00	9.00	30 thru 40
Legacy 30-20.5 thru 40-20.5	20.5	25.50	8.50	30 thru 40
Legacy 30-20 thru 40-20	20	25.00	8.00	30 thru 40

*In 2" increments

Dual Post Anchor



RockSolid Dual Post Anchor

