

SINGLE POST BASKETBALL GAME

ASSEMBLY AND INSTALLATION



**CORPORATE HEADQUARTERS
WESTERN SALES AND MANUFACTURING PLANT
P.O. Box 400 • 1017 SW Berg Parkway
Canby, Oregon 97013
(503) 266-2231 • (503) 266-4334
www.srsmith.com**

INTRODUCTION

The Single Post Basketball Game is designed for use on in-ground pools in shallow water depth areas. Proper and complete assembly, use and supervision is essential for proper operation and to reduce the risk of accident or injury.

****IMPORTANT****

Check entire boxes and inside all packing materials for parts. Before beginning assembly, read the instructions and identify parts using the figures and parts listed in this document. It is critical that all parts be carefully inspected by the installer prior to installation to ensure that no damage occurred in transit and that a damaged part is not used. Proper installation cannot be overstressed, as an improper installation voids S.R. Smith's warranty and may affect the safety of the user.

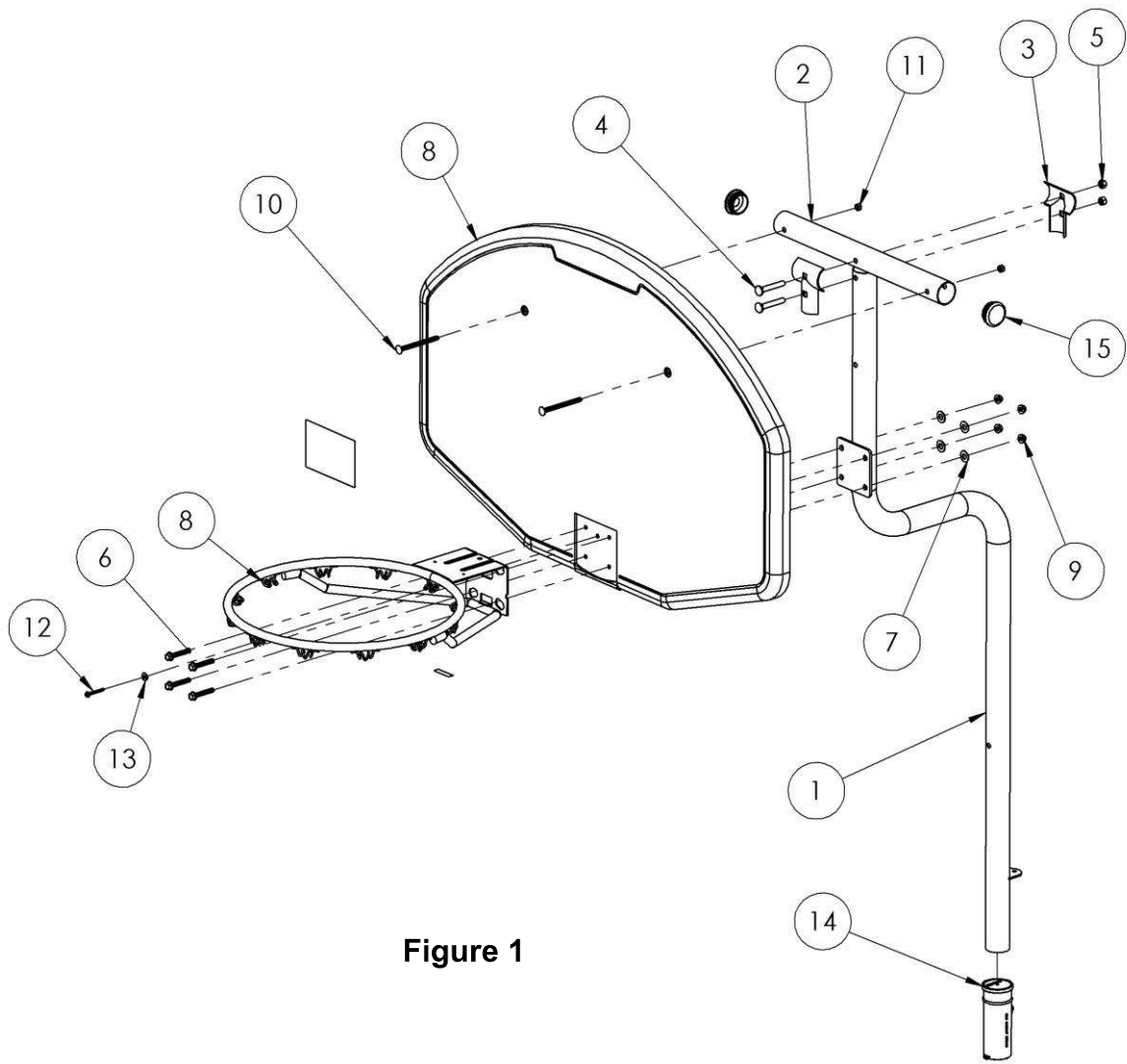


Figure 1

SINGLE POST BASKETBALL PARTS LIST

ITEM #	PART #	DESCRIPTION	QTY.
1	20-185	Frame Assembly	1 ea.
2	7-182	Horizontal Support Tube	1 ea.
3	2019061	Split "T" Half	2 ea.
4	2020049	3/8"-16 x 2 1/2" S/S Carriage Bolt	2 ea.
5	5-139	3/8"-16 Hex Nut S/S	2 ea.
6	5-656	5/16"-18 x 2" Hex Head Flange Bolt S/S	4 ea.
7	5-662	7/16" x 1" Flat Washer S/S	8 ea.
8	SPG-104A	Basketball Rim, Backboard (and Net Not Shown)	1 ea.
9	05-658	5/16"-18 Hex Flange Nut S/S	4 ea.
10	5-310	5/16"-18 x 4" Carriage Bolt S/S	2 ea.
11	2022650	5/16"-18 Hex Nut S/S	2 ea.
12	5-233	MASONRY ANCHOR, 1/4" x 1 3/4" SLTD HH FLNG HD S/S	1 ea.
13	05-14-111	1/4 X 5/8 FLAT WASHER S/S	1 ea.
14	AS-100D / 100P	Anchor Socket, 1.90" Diameter x 6" Deep (Either the Plastic Or Bronze anchor are used for this assembly)	1 ea.
15	8-104	PLASTIC RAIL END PLUG	2 ea.

ASSEMBLY INSTRUCTIONS

1. Begin by locating the frame assembly and the horizontal support tube as shown in **FIGURE 1**. Attach the horizontal support tube to the frame assembly with the stainless steel split tees and hardware as shown in **FIGURE 2**

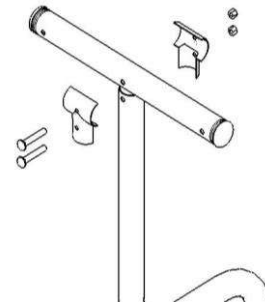


FIGURE 2

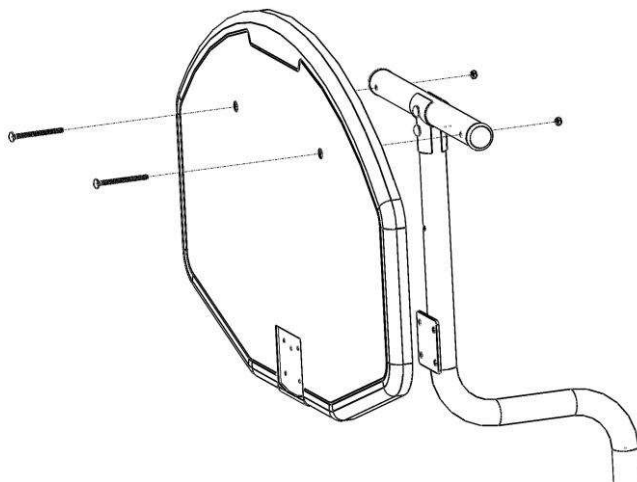


FIGURE 3

2. Align the two holes in the top of the backboard with the holes in the horizontal support tube as shown in **FIGURE 3**. Insert the 5/16" x 4" carriage bolts into each hole in the backboard and through the horizontal support tube. Thread a hex nut onto the end of the carriage bolt that passes through the backside of the horizontal support tube. Do not tighten the hex nuts all the way down at this point.

3. To install the rim to the backboard; align the four holes on the rim mounting plate with the holes in the backboard as shown in

FIGURE 4. Insert the 5/16" x 2 1/2" bolts through the rim mounting plate, backboard and frame mounting plate. Be sure that there are washers between the bolt heads and the rim mounting plate. Place washers onto the ends of the bolts that pass through the frame mounting plate. Thread the hex flange nuts onto the ends of the bolts.

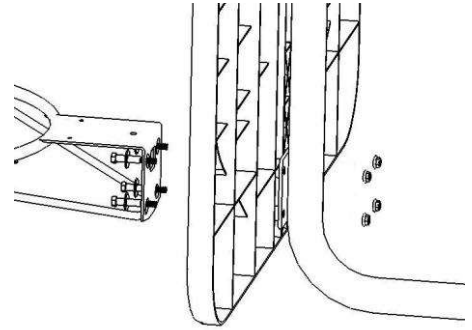


FIGURE 4

4. Now that all of the bolts and nuts are in place, go through and fully tighten all hardware components in the assembly.

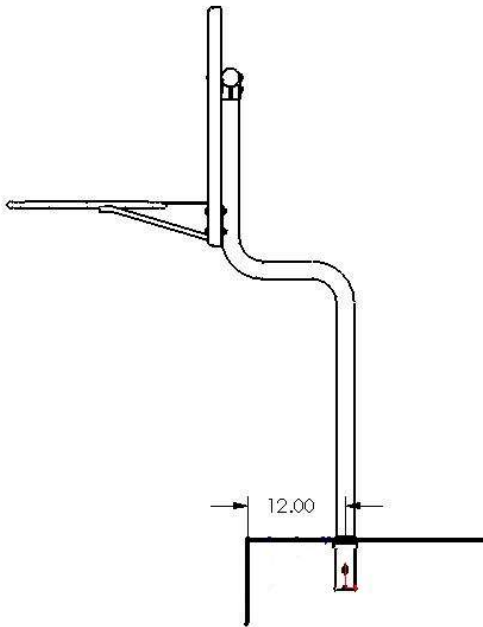


FIGURE 5

5. The Single Post Basketball units are to be anchored to the deck using a 6-inch deep AS-100D anchor socket or the AS-100P plastic anchor socket, with tightening bolt. Install the anchor in the pool deck 12 inches back from the pool's edge as shown in **FIGURE 5**. Properly bond the anchor socket using the attached bonding screw and the appropriate bonding wire per local codes. Allow concrete to cure before installing Single Post Basketball Unit.

6. Each anchor socket has a removable cap, which needs to be removed before inserting the assembly. The cap can be removed by inserting a small flat blade screwdriver into the groove between the anchor socket and the cap and prying up after loosening the Phillips head screw in the center of the cap. Place the basketball assembly into the anchor socket installed in the pool deck. For the AS-100P's use a 1/2" wrench to tighten post into place. Read pages 5 and 6 for more details to install tab.

NOTE: When removing the basketball assembly from the anchors make sure to place the caps in the anchors.

SAFETY INSTRUCTIONS

- This equipment is intended for use in shallow water depth areas.
- During play, do not wear jewelry (rings, watches, necklaces, etc.) Objects may entangle in net.
- Do not dive or jump from any part of unit, including backboard support braces or rim.
- Periodically inspect the rim, backboard and posts to assure there are no worn parts and that all hardware is properly tightened.

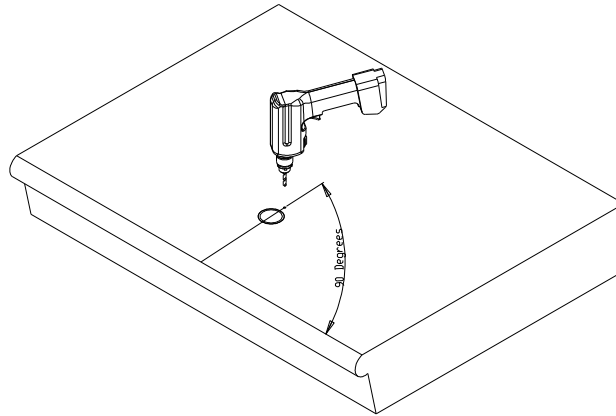
Positioning Tab Installation

To install the positioning tab for your Single-post Basketball it is important to follow these three easy steps.

1. Using the single post vertical the anchor and rotate the tube perpendicular to the pool where area will be. Mark the hole tab of the basketball game on **Figure 6**

2. Remove the post and use a in a rotary drill and drill about 2 down. **Figure 7**

3. Use a 5/16" Hex socket, concrete screw (5-233) into the the 1/4" flat washer and vertical



tube, place it in to be the desired play through the rear the concrete.

3/16" Masonry bit inches straight

screw the concrete through post tab. **Figure 8**

FIGURE 7

****Do Not Over Tighten the Concrete Screw****

FIGURE 6

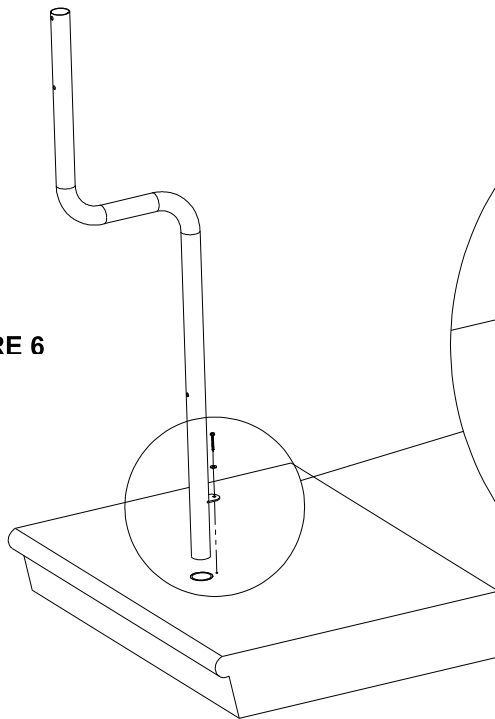
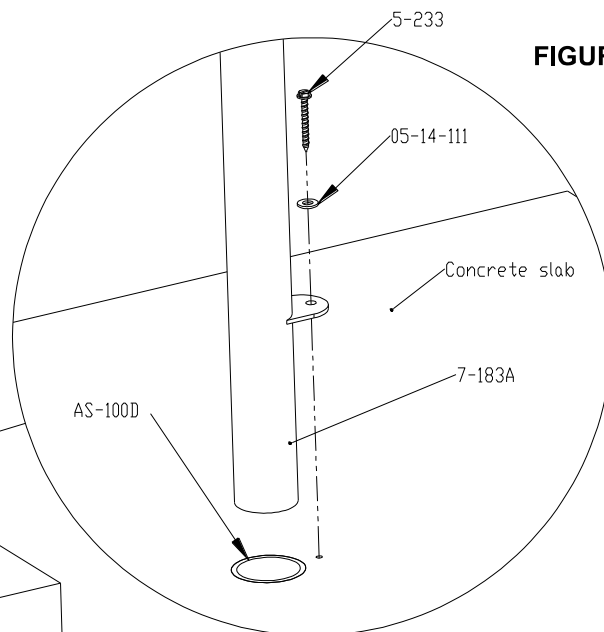


FIGURE 8



Positioning Tab Use with AS-100P Anchor

1. Insert the Single post basketball vertical support into the AS-100P anchor and the tab rotated to the side.
2. Tighten the AS-100P wedge to the point rotating the pole is difficult.
3. Position the vertical supports tab over the of the AS-100P's bolt and press it into position so the tab fits the cavity.

Note: The concrete anchor screw (5-233) is for this anchor unless the anchor was not the tab cavity perpendicular to the pool edge.

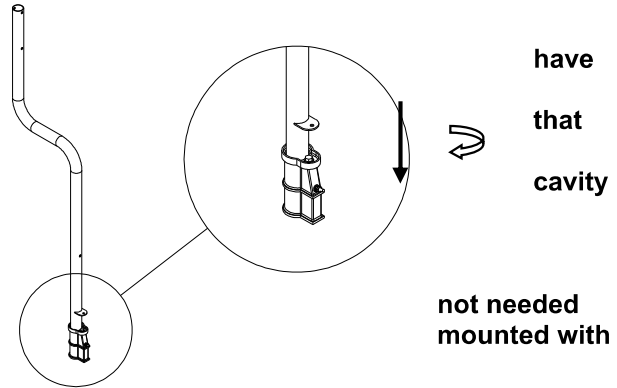


FIGURE 9

VOLLEYBALL/BASKETBALL COMBINATION INSTALLATION

- 1) The Volleyball/Basketball game combination requires the installation of two AS-100P anchor sockets into the pool deck. Install the anchors in the pool deck at a location where the game will be played in shallow water depths. Figure 10 shows the layout for positioning the anchor sockets. Bond anchors as required.

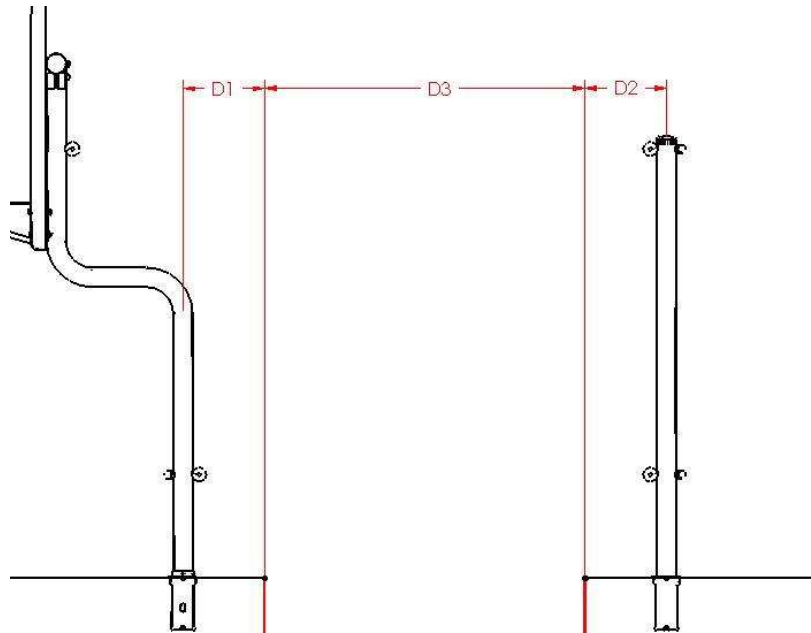


FIGURE 10

D1	D2	D3
12 in. Min	12 in. Min	20 ft. 10 in. Max

- 2) Install the eyebolts into the basketball frame and the volleyball post assembly as shown in Figure 11.

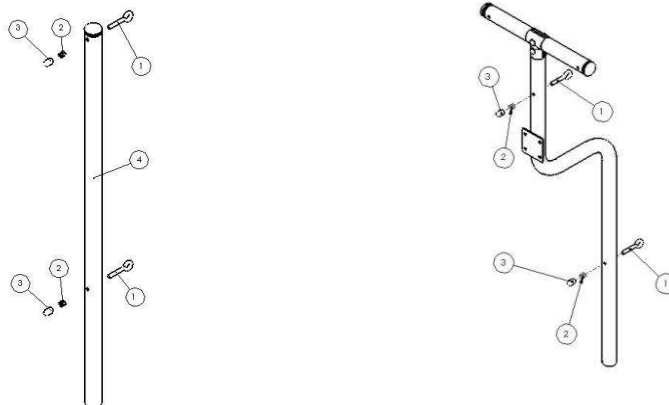


FIGURE 11

ITEM #	PART #	DESCRIPTION	QTY.
1	5-332	3/8-16 x 3 7/8 Stainless Steel Eyebolt	4 ea.
2	5-141	3/8-16 Lock Nut	4 ea.
3	05-608	Nut Cap-Black Rubber	4 ea.
4	20-109	Volleyball Post Assembly	1 ea.

- 3) Insert the assembled volleyball post and basketball frame into the anchor sockets. To switch between using the volleyball game and the basketball game you must rotate the basketball frame 180 degrees. For volleyball, the eyebolts on the back of the basketball frame need to be facing the pool; this position is shown in Figure 6. The procedure for rotating the basketball frame is: 1) Loosen the setscrews in the expandable collar 2) Rotate the frame to the desired position 3) Retighten the setscrew in the expandable collar.
- 4) The volleyball net attaches to the eyebolts in the volleyball post and the basketball frame. When the volleyball net is in use, be sure that any loose rope from the volleyball net is properly secured so as to not provide a hazard.
- 5) Be sure that caps are placed in the anchors when the volleyball post or the basketball frame is removed.