

# STA-RITE® J/JB Series

General purpose centrifugal pumps



The J/JB Series Pumps have a heavy-duty cast iron construction and are offered in high and medium head models, with Noryl® or silicon bronze impeller.

## APPLICATIONS

**Water systems and sprinkling...**  
for homes, farms and industry.

## SPECIFICATIONS

**Body and Seal Plate:** Close-grained cast iron

**Base:** Steel 12 gauge

**Impeller:** J Series – Noryl

**Impeller:** JB Series – Silicon bronze

**Shaft:** 416 stainless steel

**Mechanical Seal:** Carbon/ceramic, Buna-N

## FEATURES

**1/3 through 2-1/2 HP:** High head and medium head models, with heavy-duty motors, easy service design and four-position discharge.

### Maximum Case Pressure:

JH & JBH – all HP max case 125PSI

JM & JBM – 1/3-1HP 75 PSI

JM & JBM – 1.5-2.5 HP 125 PSI

**Drain Port:** Provided for easy winterizing.

**Medium Head Models:** Deliver up to 110' of head with capacities to 140 GPM.

**High Head Models:** Deliver up to 140' of head with capacities to 90 GPM.

**Easy Serviceability:** All models include replaceable wear ring and feature back pull-out design.

### J Series with Noryl Impellers:

Abrasion-resistant for normal applications with working temperatures to 140°F.

### JB Series with Silicon Bronze:

JB pumps equipped with shaft seals rated for temperatures to 225°F.

## ORDERING INFORMATION

Catalog Number		HP	Pipe Tapping Sizes		Motor Voltage	Phase	Approx. Wt. Lbs.
Noryl® Impeller	Silicon Bronze Impeller		Suct.	Disch.			
JHB	JBHB	1/3	1-1/4"	1"	115/230	1	38
JHC	JBHC	1/2	1-1/4"	1"	115/230	1	39
JHC2	JBH2C		200	1	39		
JHC3	JBHC3	3/4	1-1/4"	1"	208-230/460	3	39
JHD	JBHD		115/230	1	42		
JH2D3	-	1	1-1/4"	1"	200	3	42
JHD3	JBHD3		208-230/460	3	42		
JHE	JBHE	1	1-1/4"	1"	115/230	1	45
JH2E	JBH2E		200	1	45		
JHE3	JBHE3	1-1/2	1-1/4"	1"	208-230/460	3	45
JHF	JBHF		115/230	1	49		
JH2F	-	2	1-1/4"	1"	200	1	49
JH2F3	-		200	3	49		
JHF3	JBHF3	2-1/2	1-1/4"	1"	208-230/460	3	49
JHG	JBHG		1-1/2"	1-1/4"	115/230	1	69
JHG3	-	3	1-1/2"	1-1/4"	200	3	69
JHG3	JBHG3		208-230/460	3	69		
JHHG	JBHHG	3	2"	1-1/2"	115/230	1	74
JHHG3	JBHHG3		208-230/460	3	74		

## ORDERING INFORMATION

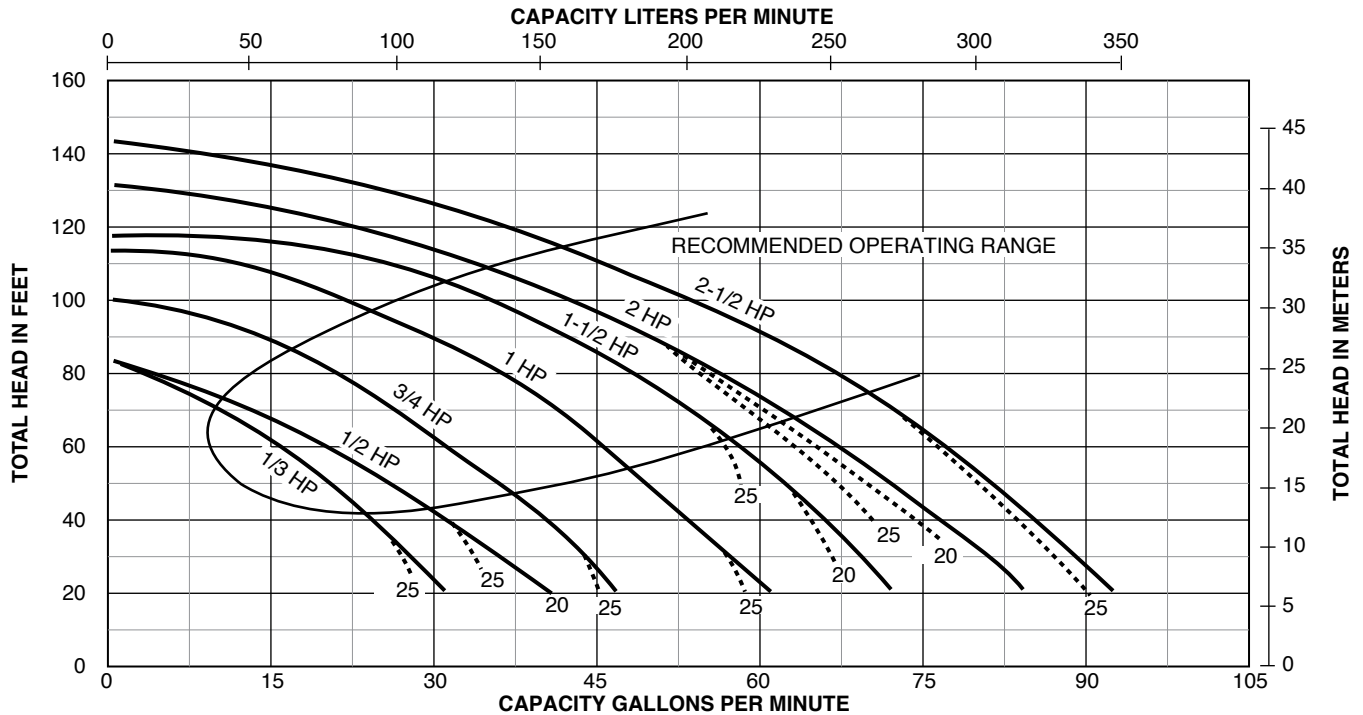
Catalog Number		HP	Pipe Tapping Sizes		Motor Voltage	Phase	Approx. Wt. Lbs.
Noryl® Impeller	Silicon Bronze Impeller		Suct.	Disch.			
JMB	JBMB	1/3	1-1/4"	1"	115/230	1	38
JMC	JBMC	1/2	1-1/4"	1"	115/230	1	39
JMC3	JBMC3		208-230/460	3	39		
JMD	JBMD	3/4	1-1/4"	1"	115/230	1	42
-	JBMD2D		200	1	42		
-	JBMD2D3	1	1-1/4"	1"	200	3	42
JMD3	JBMD3		208-230/460	3	42		
JME	JBME	1	1-1/2"	1-1/4"	115/230	1	43
JME	-		200	1	43		
-	JBME2E3	1-1/2	1-1/2"	1-1/4"	200	3	43
JME3	JBME3		208-230/460	3	43		
JMF	JBMF	2	1-1/2"	1-1/4"	115/230	1	54
JMF	-		200	1	54		
-	JBMF2F3	3	1-1/2"	1-1/4"	200	3	54
JMF3	JBMF3		208-230/460	3	54		
JMG	JBMG	2	1-1/2"	1-1/4"	115/230	1	66
-	JBMG2G3		200	3	66		
JMG3	JBMG3	3	1-1/2"	1-1/4"	208-230/460	3	66
-	JBMMG		115/230	1	74		
-	JBMMG3	208-230/460	3	74			

Pentair trademarks and logos are owned by Pentair plc or its affiliates. All other third party registered and unregistered trademarks and logos are the property of their respective owners.

# STA-RITE® J/JB Series

General purpose centrifugal pumps

## PUMP PERFORMANCE: HIGH HEAD



NOTE: Dotted lines indicate performance reduction at high suction lift.

### PUMP PERFORMANCE (Capacity in gallons per minute)

#### HIGH HEAD

HP	Discharge Pressure		Dynamic Suction Lift				
	PSI	Feet Head	5'	10'	15'	20'	25'
1/3	10	23.1	—	26	24	22	20
	20	46.2	20	18	15	11	10
	30	69.3	6	—	—	—	—
1/2	10	23.1	—	34	32	29	26
	20	46.2	25	21	18	15	11
	30	69.3	10	—	—	—	—
3/4	10	23.1	—	—	42	39	37
	20	46.2	35	32	30	28	26
	30	69.3	24	22	19	15	10
1	20	46.2	48	46	45	43	40
	30	69.3	38	35	31	28	25
	40	92.4	23	20	15	—	—

### PUMP PERFORMANCE (Capacity in gallons per minute)

#### HIGH HEAD

HP	Discharge Pressure		Dynamic Suction Lift				
	PSI	Feet Head	5'	10'	15'	20'	25'
1-1/2	20	46.2	62	60	58	55	52
	30	69.3	50	48	44	40	37
	40	92.4	37	32	29	22	—
2	20	46.2	71	68	66	62	60
	30	69.3	60	57	52	59	45
	40	92.4	45	40	36	31	24
2-1/2	50	115.5	22	15	—	—	—
	20	46.2	81	79	76	74	71
	30	69.3	69	67	63	60	56
2-1/2	40	92.4	56	51	47	44	38
	50	115.5	33	30	22	15	—

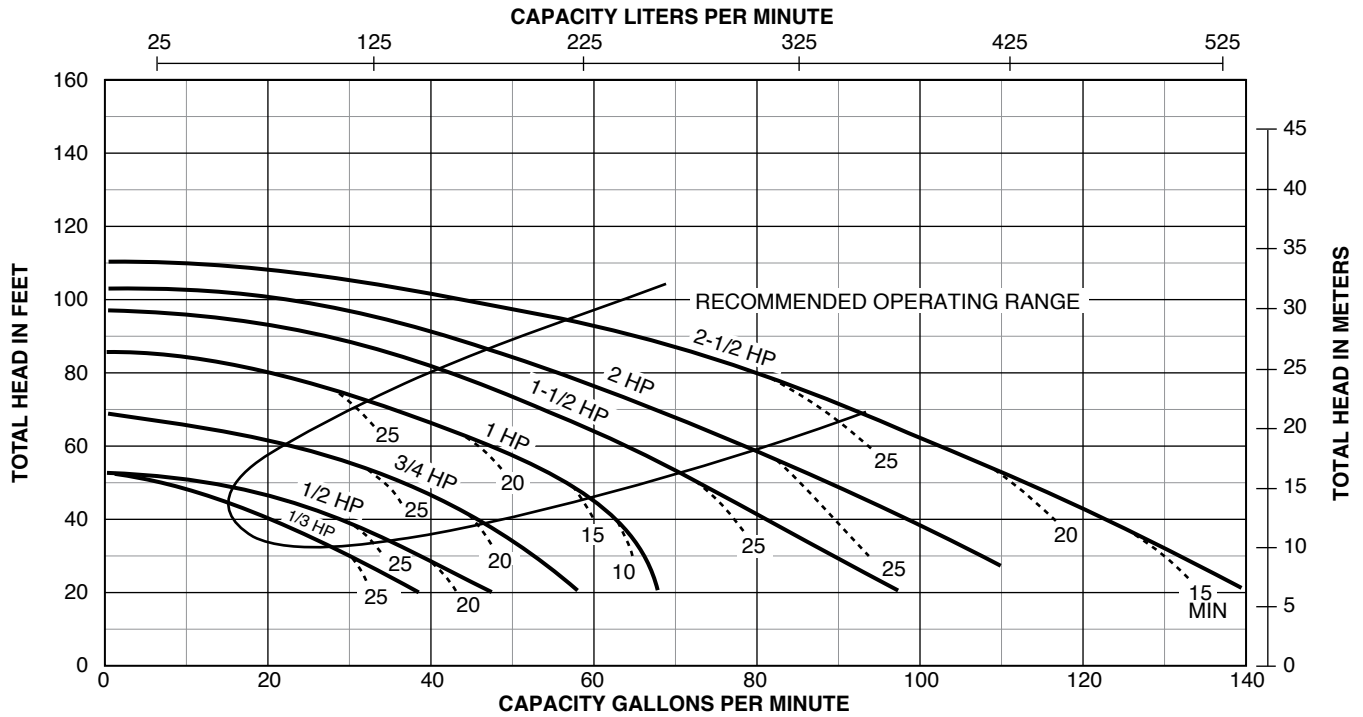
Tested and rated in accordance with Water Systems Council Standards.

NOTE: Pumps installed with a Pro-Source® tank require a 100 PSI relief valve. Pumps with a conventional tank require a 75 PSI relief valve. Relief valve must be capable of relieving entire flow of pump at relief pressure.

# STA-RITE® J/JB Series

General purpose centrifugal pumps

## PUMP PERFORMANCE: MEDIUM HEAD



NOTE: Dotted lines indicate performance reduction at high suction lift.

## PUMP PERFORMANCE (Capacity in gallons per minute)

### MEDIUM HEAD

HP	Discharge Pressure		Dynamic Suction Lift				
	PSI	Feet Head	5'	10'	15'	20'	25'
1/3	10	23.1	32	27	18	—	—
	20	46.2	—	—	—	—	—
1/2	10	23.1	40	37	32	27	17
	20	46.2	—	—	—	—	—
3/4	10	23.1	—	50	46	42	32
	20	46.2	37	29	21	—	—
1	20	46.2	54	51	44	40	33
	30	69.3	33	28	18	—	—
1-1/2	20	46.2	71	69	62	57	51
	30	69.3	52	47	34	30	20
2	20	46.2	88	84	78	70	66
	30	69.3	67	60	50	45	40
	40	92.4	25	13	—	—	—
2-1/2	20	46.2	111	106	101	95	90
	30	69.3	90	83	77	70	60
	40	92.4	46	38	20	—	—

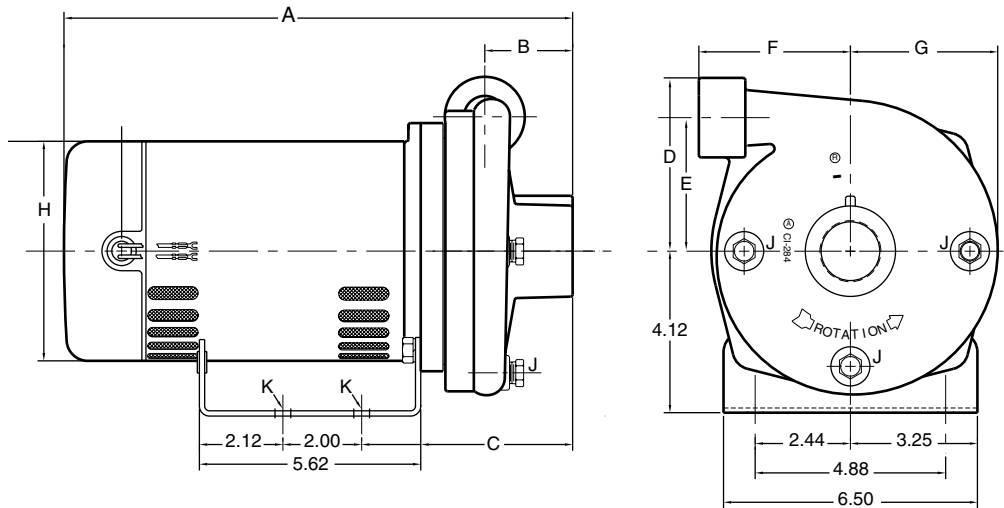
Tested and rated in accordance with Water Systems Council Standards.

NOTE: Pumps installed with a Pro-Source® tank require a 100 PSI relief valve. Pumps with a conventional tank require a 75 PSI relief valve. Relief valve must be capable of relieving entire flow of pump at relief pressure.

# STA-RITE® J/JB Series

General purpose centrifugal pumps

## OUTLINE DIMENSIONS



Dimensions (in inches) are for estimating purposes only.

## DIMENSIONS (IN INCHES)

### HIGH HEAD

HP	NPT Suct.	NPT Disch.	A (1 Phase)	A (3 Phase)	B	C	D	E	F	G	H	NPT J	K
1/3	1-1/4	1	13	13-3/8	2-1/16	5-9/16	4-1/2	3-7/16	3-7/8	3-15/16	5-5/8	1/4	3/8 Dia.
1/2	1-1/4	1	11-21/32	13-3/8	2-1/16	5-9/16	4-1/2	3-7/16	3-7/8	3-15/16	5-5/8	1/4	3/8 Dia.
3/4	1-1/4	1	11-25/32	13-3/8	2-1/16	5-9/16	4-1/2	3-7/16	3-7/8	3-15/16	5-5/8	1/4	3/8 Dia.
1	1-1/4	1	12-25/32	13-7/8	2-1/16	5-9/16	4-1/2	3-7/16	3-7/8	3-15/16	5-5/8	1/4	3/8 Dia.
1-1/2	1-1/4	1	13-39/64	14-3/8	2-1/16	5-9/16	4-1/2	3-7/16	3-7/8	3-15/16	5-5/8	1/4	3/8 Dia.
2	1-1/2	1-1/4	16-3/4	16-15/16	2-13/16	6-5/16	4-27/32	3-13/32	4-5/8	4	6-7/16	1/4	3/8 Dia.
2-1/2	2	1-1/2	17-3/4	17-1/4	2-13/16	6-5/16	4-27/32	3-13/32	4-5/8	4	6-7/16	1/4	3/8 Dia.

### MEDIUM HEAD

1/3	1-1/4	1	12-9/16	12-15/16	1-7/16	5-1/8	4-7/16	3-1/4	2-1/4	3-1/4	5-5/8	1/4	3/8 Dia.
1/2	1-1/4	1	11-7/32	12-15/16	1-7/16	5-1/8	4-7/16	3-1/4	2-1/4	3-1/4	5-5/8	1/4	3/8 Dia.
3/4	1-1/4	1	11-31/32	12-15/16	1-7/16	5-1/8	4-7/16	3-1/4	2-1/4	3-1/4	5-5/8	1/4	3/8 Dia.
1	1-1/2	1-1/4	12-11/32	13-7/16	1-7/16	5-1/8	4-7/16	3-1/4	2-1/4	3-1/4	5-5/8	1/4	3/8 Dia.
1-1/2	1-1/2	1-1/4	13-25/32	14-9/16	2	5-3/4	4-13/16	3-1/2	4-1/4	3-15/16	5-5/8	1/4	3/8 Dia.
2	1-1/2	1-1/4	16-3/16	16-3/8	2	5-3/4	4-13/16	3-1/2	4-1/4	3-15/16	6-7/16	1/4	3/8 Dia.
2-1/2	2	1-1/2	17-3/16	16-11/16	2	5-3/4	4-13/16	3-1/2	4-1/4	3-15/16	6-7/16	1/4	3/8 Dia.



US: 293 WRIGHT STREET, DELAVAN, WI 53115 WWW.STA-RITE.COM PH: 888-782-7483 ORDERS FAX: 800-426-9446

CANADA: 490 PINEBUSH ROAD, UNIT 4, CAMBRIDGE, ONTARIO N1T 0A5 PH: 800-363-7867 ORDERS FAX: 888-606-5484

Because we are continuously improving our products and services, Pentair reserves the right to change specifications without prior notice.