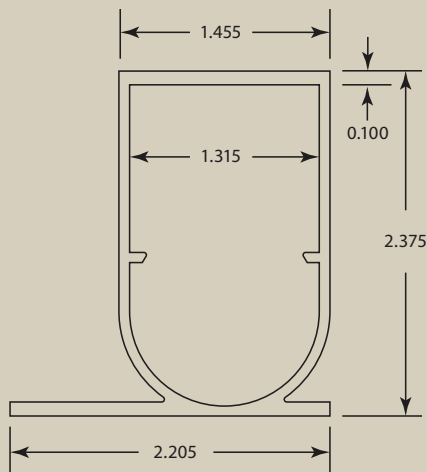


PAVER DRAIN PRO



PAVER DRAIN PRO is a one-piece PVC extruded drain designed to provide surface water drainage on paver decks. This drain accommodates most 60mm or 2 3/8" height pavers.



STEGMEIER
LLC

www.stegmeier.com
Toll-Free (800) 382-5430

COLORS AVAILABLE	TAN	GREY	WHITE
PART #	PD-PRO-T	PD-PRO-G	PD-PRO-W

CARTON INCLUDES: 8 each 10' lengths Paver Drain Pro and 8 each couplers

Patented – Stegmeier LLC

DOWNLOAD THE STEGMEIER LLC APP

