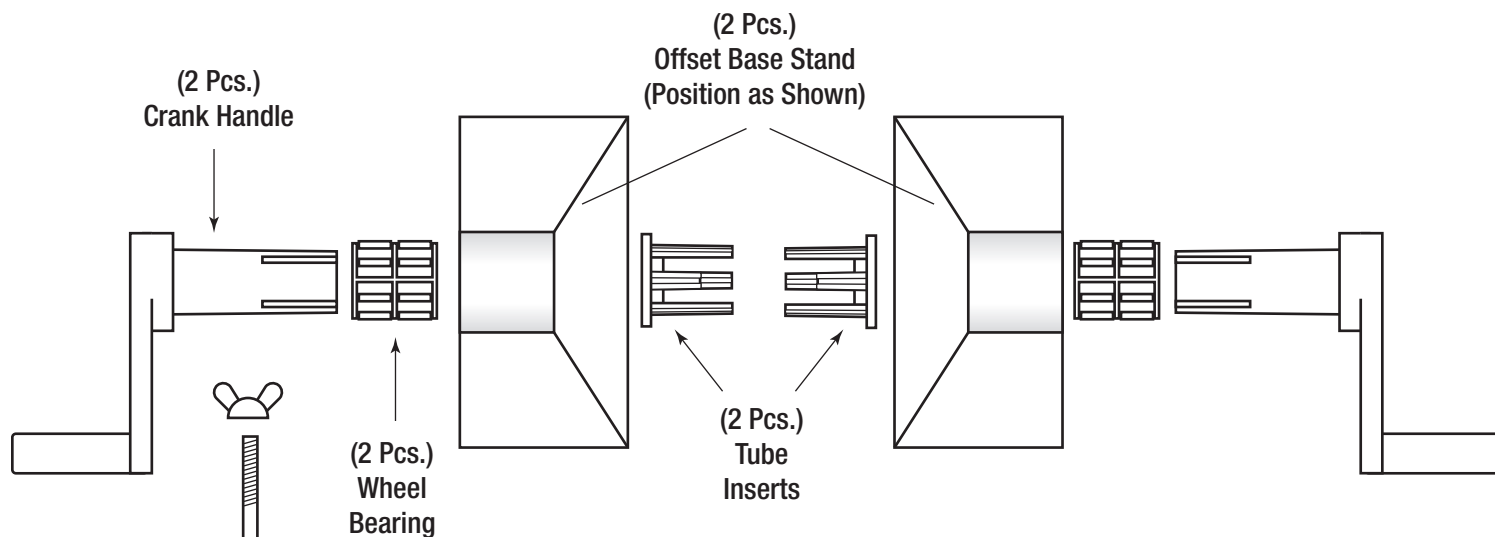


SWIMLINE®
HYDROTOOLS™
Solar Reel™

Item # 51050
**Resin Reel System
 For In Ground
 Solar Pool Covers**

1. Congratulation on your purchase of our Swimline Hydrottools Resin Solar Reel™ for In Ground Pools. Please follow the instructions carefully so as to not void our warranty.
2. Please use your solar blanket and reel assembly in the manner it was intended for:
 - a. Your solar blanket is not a safety cover
 - b. Remove the solar blanket and Solar Reel™ assembly from the pool completely before swimming use.
 - c. Do not store the solar blanket on the ground in direct sunlight, as it will burn the lawn
3. Preparation & Assembly: Check inventory of all items and assemble as illustrated below:



(4 Pcs.)
 Stainless Steel Axle Bolt/Nut

STRAP KIT

(11 Pcs.)
 Plastic Screw
 (1 extra piece)

(21 Pcs.)
 Plastic Strap Plate
 (1 extra piece)

(11 Pcs.)
 Stainless Steel
 Self-Drilling Screws
 (1 extra piece)

(1 Pc.)
 Driver Bit

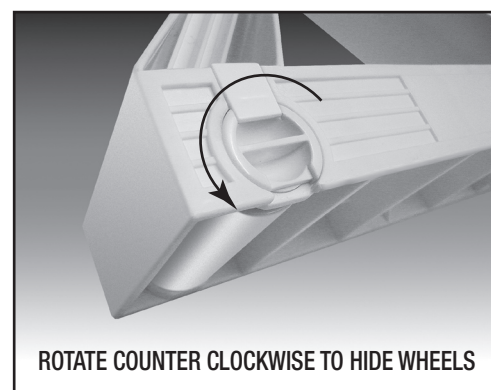
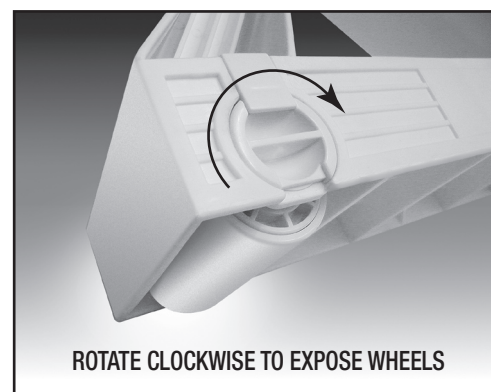
(10 Pcs.) Fabric Straps
 (1 extra piece)

**RETRACTABLE
 WHEEL FEATURE**

To expose wheels, tilt the reel stand in one direction to remove weight from the stand. Raise locking tooth and rotate thumbwheel clockwise. Lower the locking tooth to re-lock.
 To hide wheels, raise locking tooth and rotate thumbwheel counter clockwise. Lower locking tooth to re-lock.

PARTS LIST

- (2) Offset Base stands With Built-in Casters
- (2) Wheel Bearings
- (2) Crank handles
- (2) Tube Inserts
- (2) Axle Bolts with nuts



4. Depending upon the size of your pool you will also require one of the following Tube Kits: (Tube Assembly is detailed below and on back cover)

Item #5112 Tube Kit
 (fits up to 12' width pool)
 Contains:
 (1) 59-1/2" x 2.920" Diameter extruded aluminum shaft
 (2) 59-1/2" x 2.745" Diameter extruded aluminum shaft
 (13) SS Screws (1 extra)

Item #51120 Alt. Tube Kit
 Contains
 (1) 59-1/2" x 2.920" Diameter extruded aluminum shaft
 (2) 59-1/2" x 2.745" Diameter extruded aluminum shaft
 With (4) 3" Through Bolts

Item #5116 Tube Kit
 (fits up to 16' width pool)
 Contains:
 (2) 59-1/2" x 2.920" Diameter extruded aluminum shaft
 (2) 59-1/2" x 2.745" Diameter extruded aluminum shaft
 (19) SS Screws (1 extra)
 (1) Large Plastic Plug

Item #51160 Alt. Tube Kit
 Contains:
 (1) 72" x 2.920" Diameter extruded aluminum shaft
 (2) 72" x 2.745" Diameter extruded aluminum shaft
 With (4) 3" Through Bolts

Item #5120 Tube Kit
 (fits up to 20' width pool)
 Contains:
 (2) 59-1/2" x 2.920" Diameter extruded aluminum shaft
 (3) 59-1/2" x 2.745" Diameter extruded aluminum shaft
 (25) SS Screws (1 extra)

Item #51200 Alt. Tube Kit
 Contains:
 (2) 59-1/2" x 2.920" Diameter extruded aluminum shaft
 (3) 59-1/2" x 2.745" Diameter extruded aluminum shaft
 With (8) 3" Through Bolts

Part #51164 4" Tube Kit
 Fits up to 16' width pool
For larger pools and/or heavy gauge solar covers
 (1) 72" x 3.80" Diameter extruded aluminum shaft
 (2) 72" x 3.725" Diameter extruded aluminum shaft
 (6) Through Bolts
 (2) 6" Long Aluminum Inserts
 (2) 4" Diameter Plastic Plugs

Part #51204 4" Tube Kit
 Fits up to 20' width pool
For larger pools and/or heavy gauge solar covers
 (2) 59-1/2" x 3.80" Diameter extruded aluminum shaft
 (3) 59-1/2" x 3.725" Diameter extruded aluminum shaft
 (10) Through Bolts
 (2) 6" Long Aluminum Inserts
 (2) 4" Diameter Plastic Plugs

5. Positioning Your Solar Reel:

For Rectangular pools, place Stands at either end of pool.

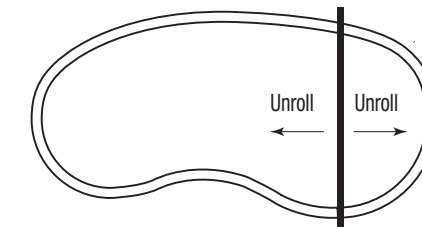
For Irregular shaped pools, place Stands at some convenient midway point. You will need to fold Blanket and allow Blanket to unroll in two directions. (See Figure A below)

Fig. A

RECTANGULAR



IRREGULAR



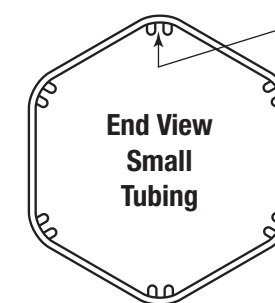
6. Trimming Your Solar Blanket:

- Lay your Solar Blanket (not provided) on top of water. IMPORTANT! Irregular Shaped Pools will need to have their solar covers folded at point of placement of Stands! The cover will unroll left and right of Stands & cross pole. Please allow 6 inches more material on length to allow for a fold where straps will be attached for wind onto reel system. (See Illustrations above)
- With scissors trim blanket to fit shape of pool. Be sure to clear pool edge coping.

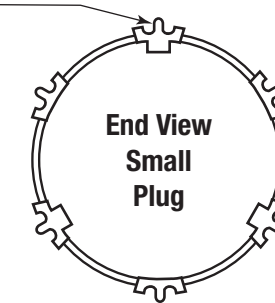
7. Assembling The Cross Poles:

All Tube Kits consist of 6 sided Hexagon shaped aluminum tubing. There are two diameters of tubing, the smaller size nesting into the larger size. All Tube Kits **Begin and End with Small Tubes** (with the exception of Tube Kit #5116 which ends with a Large Tube & Large Tube Plug). The Tube Plug Requires **CAREFUL ALIGNMENT!** (See Illustration Below For Proper Plug Insertion)

Fig. B



TEETH ON SMALL PLUG MUST ENGAGE SLOTS INSIDE SMALL TUBING!



8. 3 INCH RANGE TUBE KIT ASSEMBLY:

For 3 inch range pole sets, you will use a series of pre-drilled holes, spaced approximately 1-1/2" and 7-1/2" inches from each end, to join the large tubing to the small tubing. These holes are space 120 degrees apart. At the appropriate time you will secure with self-drilling and tapping SS screws. Also take note of large holes that pierce both end tubes. You will eventually use these holes to anchor tubing to Crank Handles with Axle Bolts provided.

NOTE: FOR 51120, 51160 & 51200 ALT. TUBE KITS FOLLOW 4" TUBE KIT ASSEMBLY DETAILED NEXT PAGE!