

Visscher



**INSTRUCTION
MANUAL**

ENGLISH

DUKE / BAKER

11X14

Important

Before you begin

- These instructions must be followed step by step. Deviation from the instructions may void the product's warranty. See Warranty Sheet for further details.
- Read all instructions thoroughly before starting assembly.
- Use the component list as a checklist for product parts.
- Unwrap parts only as needed to keep component dealer code label intact for reference.

Site preparation

- Assemble the structure on a firm, level surface. Protect the product from damage as some pieces may be fragile.

Assistance

- If you require assistance, or need to order replacement parts, contact your Visscher Dealer.
- For additional information call the number below. Please have the serial number ready to ensure quick service.



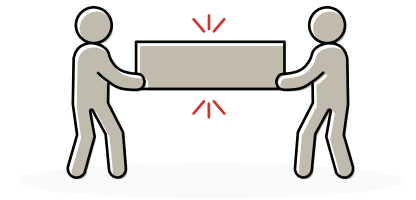
TOLL FREE 1 (877) 795-7423



Product may be subject to building code requirements. It is the consumer's responsibility to inform themselves of any restrictions prior to purchase.

Two person project

Product can be heavy.
Use care when lifting.



Estimated assembly
time: 8 hours.

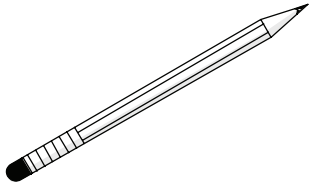


If you have purchased a 40" or 80" Extension Kit, please disregard this manual and use the provided **Baker-Duke 40" or 80" Extension Instruction Manual** to install the complete structure.

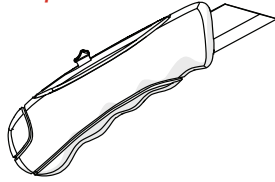
Tools

Some tools are required, others are suggested:

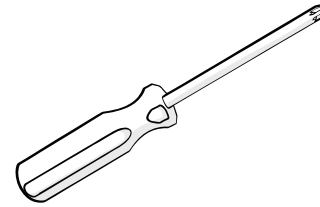
PENCIL



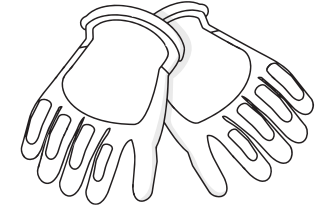
KNIFE
Required



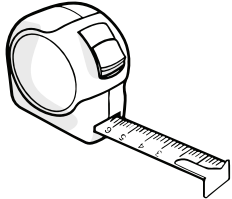
PHILLIPS SCREW DRIVER



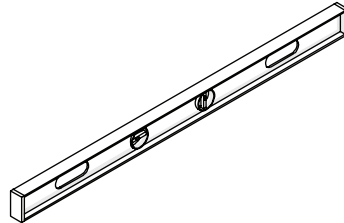
PROTECTIVE GLOVES



TAPE MEASURE



BUBBLE LEVEL TOOL
Required



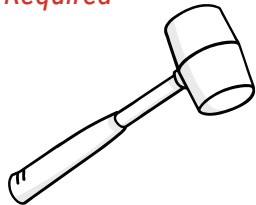
POWER DRILL
Required



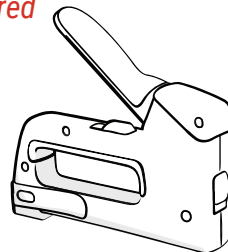
LADDER (8FT / 2.5M)
Required



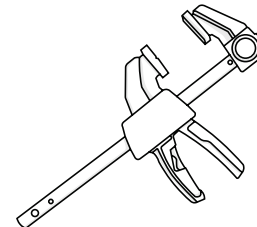
RUBBER MALLET
Required



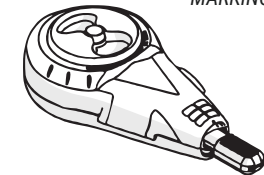
STAPLER
Required



TRIGGER CLAMP (X2)



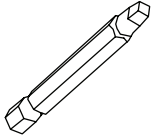
CHALK LINE MARKER
Required
OR A FLOOR MARKING TAPE



Hardware

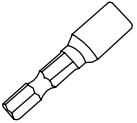
ROBERTSON BIT

1X



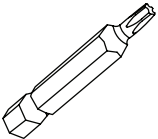
3/8" HEX HEAD BIT

1X



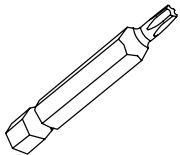
TORX T25 BIT

1X



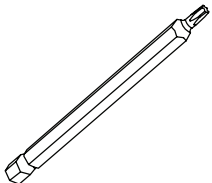
TORX T30 BIT

1X



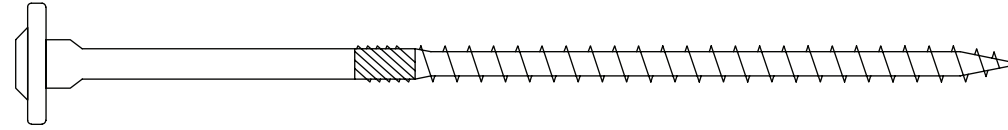
TORX T30 BIT 6"

1X



W

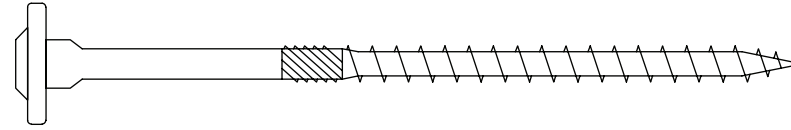
75X



5-1/8" X 5/16" RSS (T30 TORX)

V

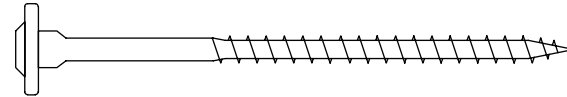
81X



4" X 5/16" RSS (T30 TORX)

U

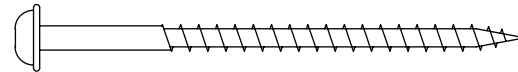
12X



2 3/4" #10 RSS (T25 TORX)

F

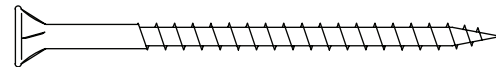
46X



2 1/2" #8 WASHER HEAD (#2 ROBERTSON)

B

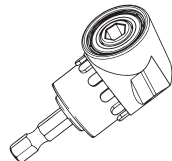
276X



2 1/2" #8 FLAT HEAD (#2 ROBERTSON)

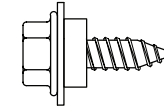
BIT ADAPTER 105°

1X



H

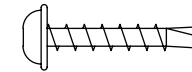
186X



3/4" #14 HEX

D

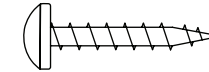
6X



1" #8 PAN HEAD (#2 ROBERTSON)
WITH SELF-DRILLING TIP

G

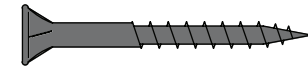
49X



1" #8 PAN HEAD
(#2 ROBERTSON)

A

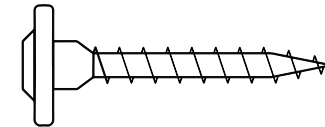
3X



1 1/2" #8 FLAT HEAD - BL
(#2 ROBERTSON)

Y

23X



1 1/2" X 1/4" RSS (T25 TORX)

Components

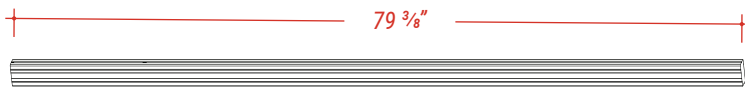
Panels



1X 4026 Long Threshold



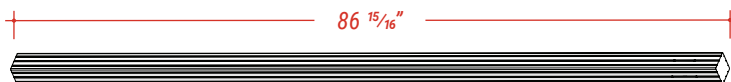
2X 4027 Short Threshold



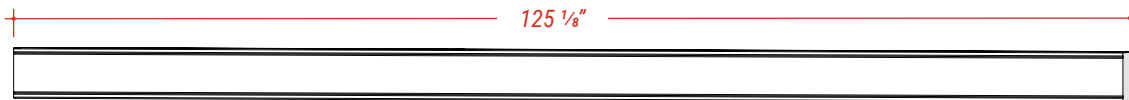
3X 4010 Narrow Post



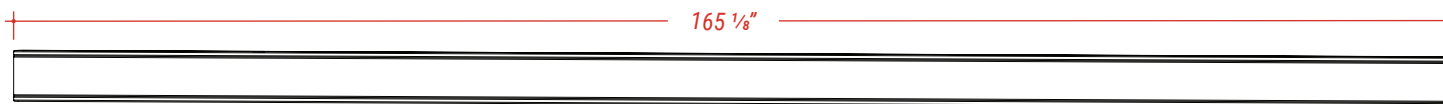
2X 4110 Front Post



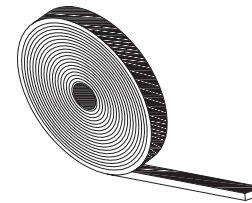
2X 4111 Back Post



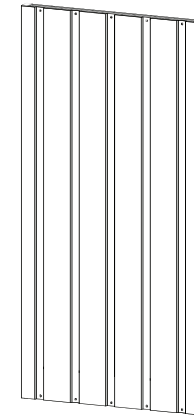
2X 4109 Side Beam



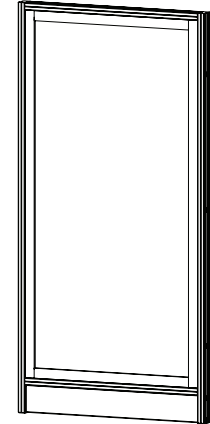
2X 4107 Beam



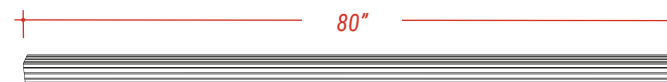
3X 1880 Foam Gasket



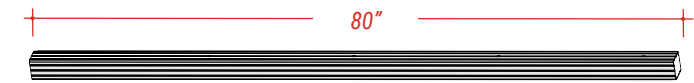
5X 3544 Shear Panel



2X 3506 Full Glass Window Panel



7X 5125 Side Post



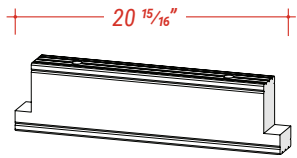
4X 4007 Side Post (Pre-drilled)

MEASUREMENTS ARE APPROXIMATE

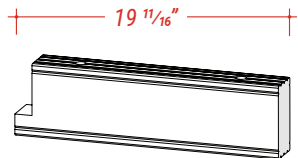
0400 Duke - Baker 11x14 Instructions V1.3 EN

Components

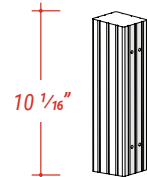
Roofing Structure & Upper Windows



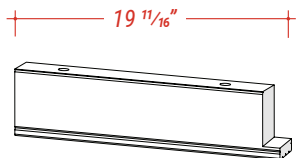
6X 4114 Back Filler (Mid)



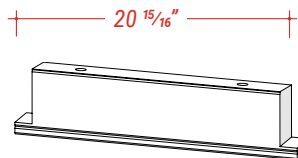
2X 4113 Back Filler (End)



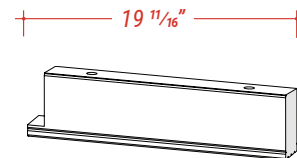
2X 4112 Upright (Pre-drilled)



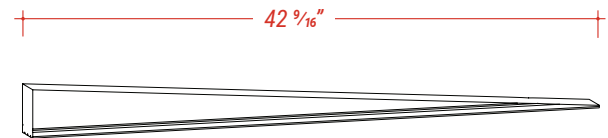
1X 4115 Front Filler (Left)



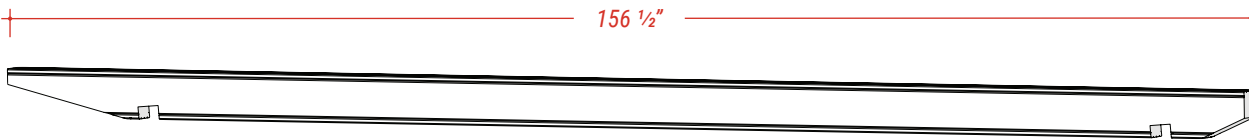
6X 4116 Front Filler (Mid)



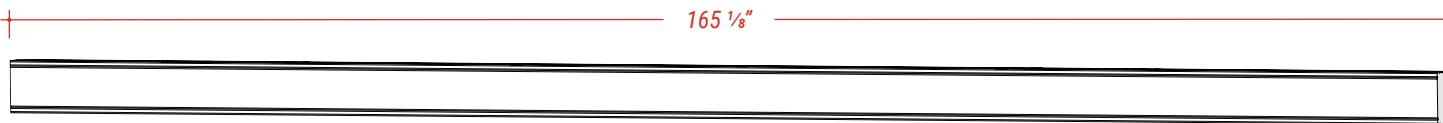
1X 4117 Front Filler (Right)



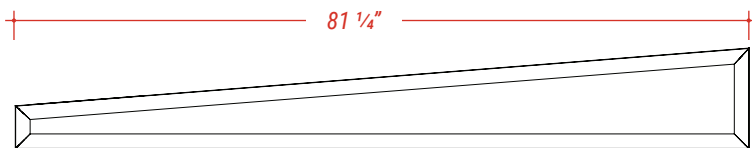
2X 4118 Gusset



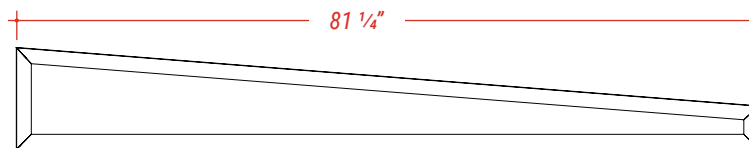
9X 4106 Rafter



2X 4108 Upper Beam (Pre-drilled)



1X 4219 Sloped Window (Left)



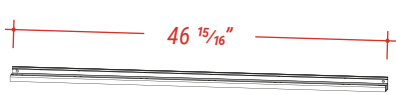
1X 4218 Sloped Window (Right)

MEASUREMENTS ARE APPROXIMATE

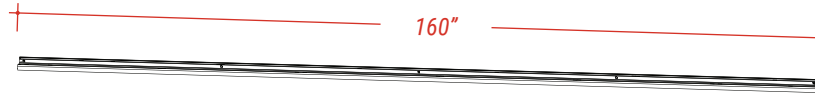
0400 Duke - Baker 11x14 Instructions V1.3 EN

Components

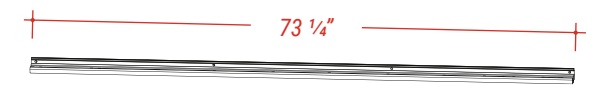
Door Systems



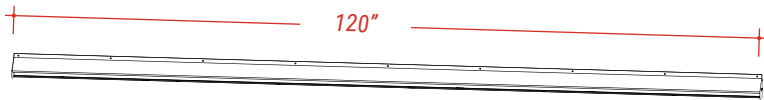
3X 2602 Short Bottom Track



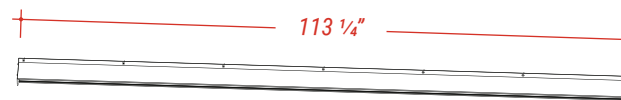
1X 2594 Three-Door Bottom Track



2X 2601 Two-Door Bottom Track



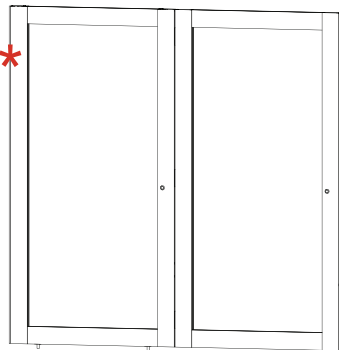
1X 2593 Long Top Track



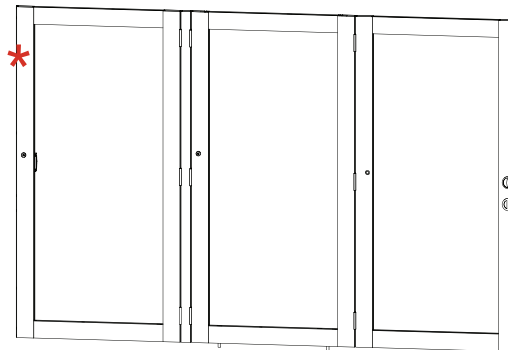
2X 2600 Short Top Track



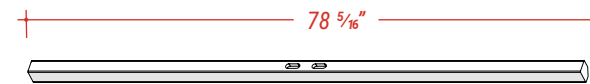
2X 2603 Spacer



2X 2570 Two-Door System

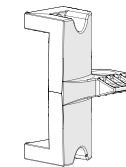


1X 2560 Three-Door System

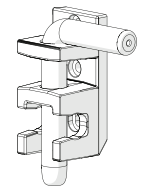


1X 4006 Strike Post

3X 2605 Handle



4X 2604 Pin and Keeper



* The small parts and tools for the Door System can be found in the packaging, located on the upper left corner of the door.



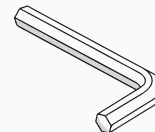
1X 2577 Strike Plate



6X 2606 Roller



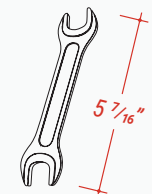
1X 2569 3 Keys Set



1X 8149 Hey Key for M6 Bolts



1X 8150 Wrench 3" (Roller Bolt shank)



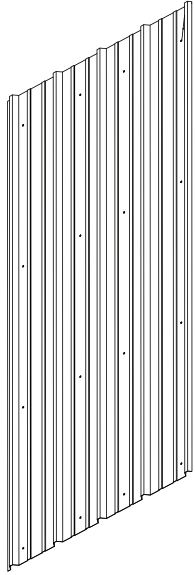
1X 8151 Wrench 5" (Roller Bolt nut)

MEASUREMENTS ARE APPROXIMATE

0400 Duke - Baker 11x14 Instructions V1.3 EN

Components

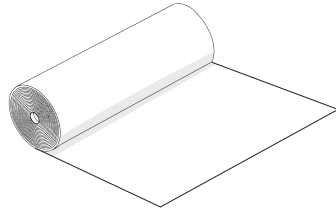
Roofing



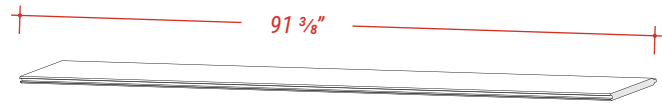
10X 2493 Roof Sheet



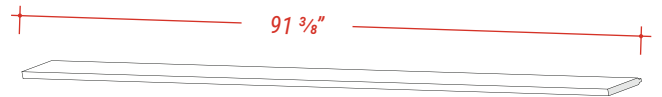
12X 1834 Foam Closure



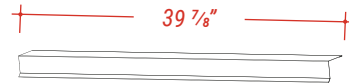
1X 4191 Tar Paper



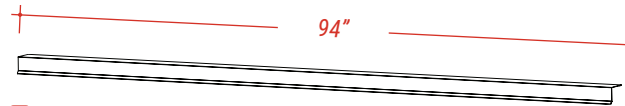
44X 2500 Full Ceiling Board



2X 2507 Starter Ceiling Board



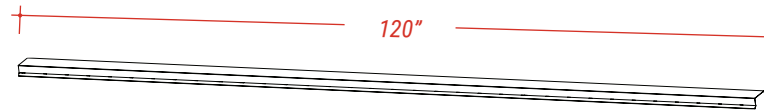
2X 2672 Overside Flashing 39"



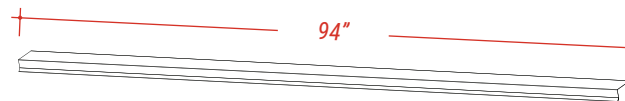
1X 2707 Overside Flashing 94"



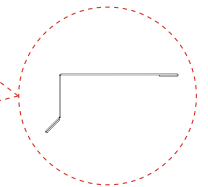
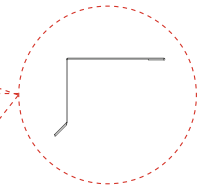
3X 2671 Overside Flashing 120"



1X 6034 Underside Flashing 120"



1X 2673 Underside Flashing 94"



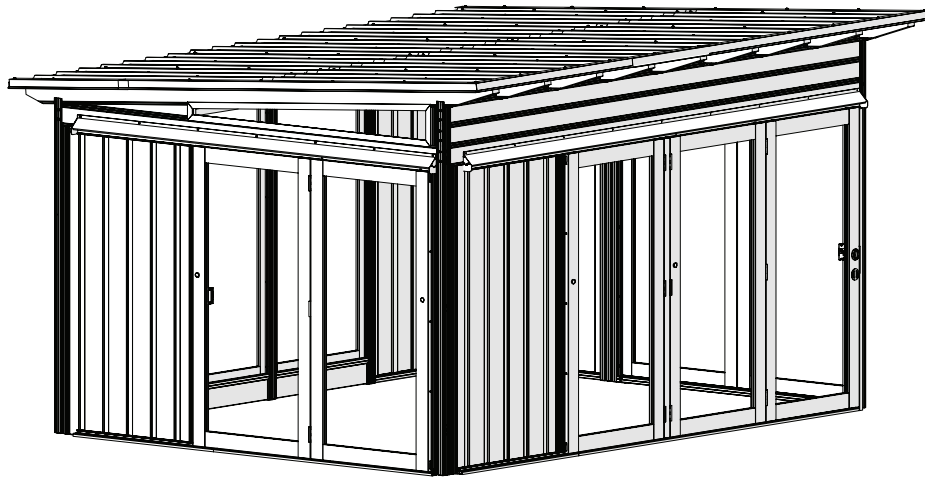
MEASUREMENTS ARE APPROXIMATE

0400 Duke - Baker 11x14 Instructions V1.3 EN

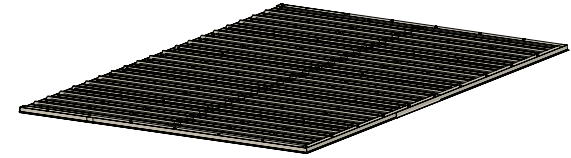
Phases

Follow the sequence of phases, as shown:

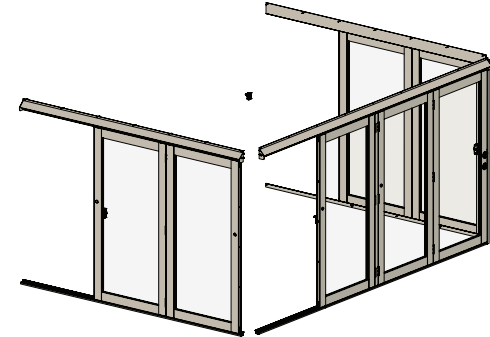
- A** Panels
- B** Roofing Structure & Upper Windows
- C** Doors System
- D** Roofing



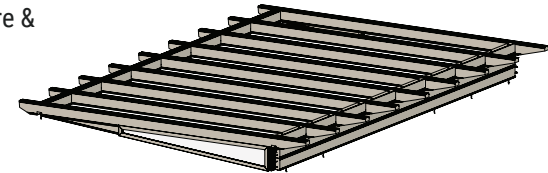
D Roofing



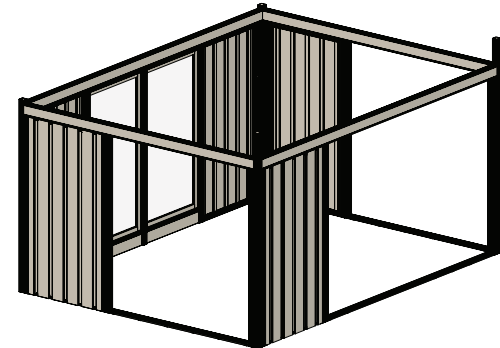
C Doors System



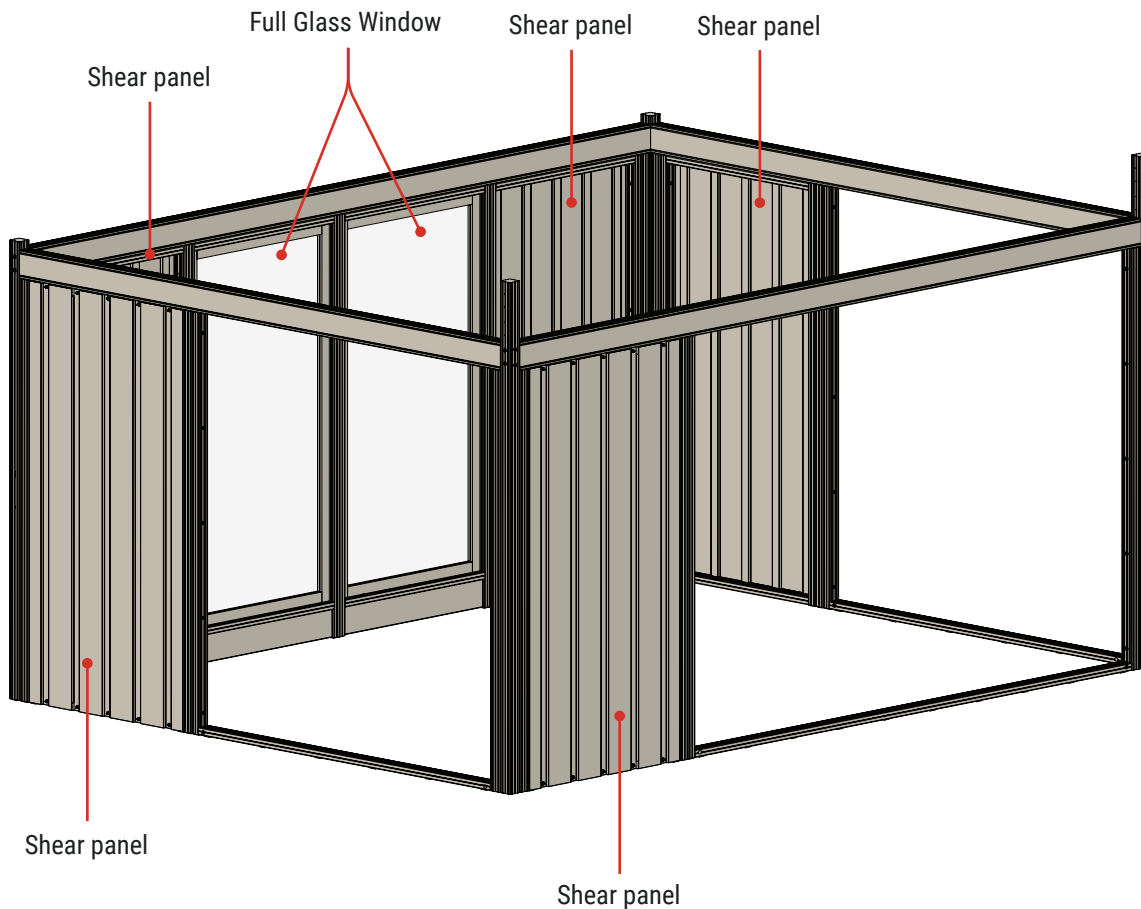
B Roofing Structure & Upper Windows



A Panels



Phase A



A Panels

Panel location **can be modified** to fit your needs.

Each side **must have** at least one Shear Panel.

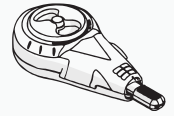
Door direction can be reversed.
See Door Flipping Instructions if you wish to change the orientation of the Doors.

CAUTION: Do not over sink Panel Screws.

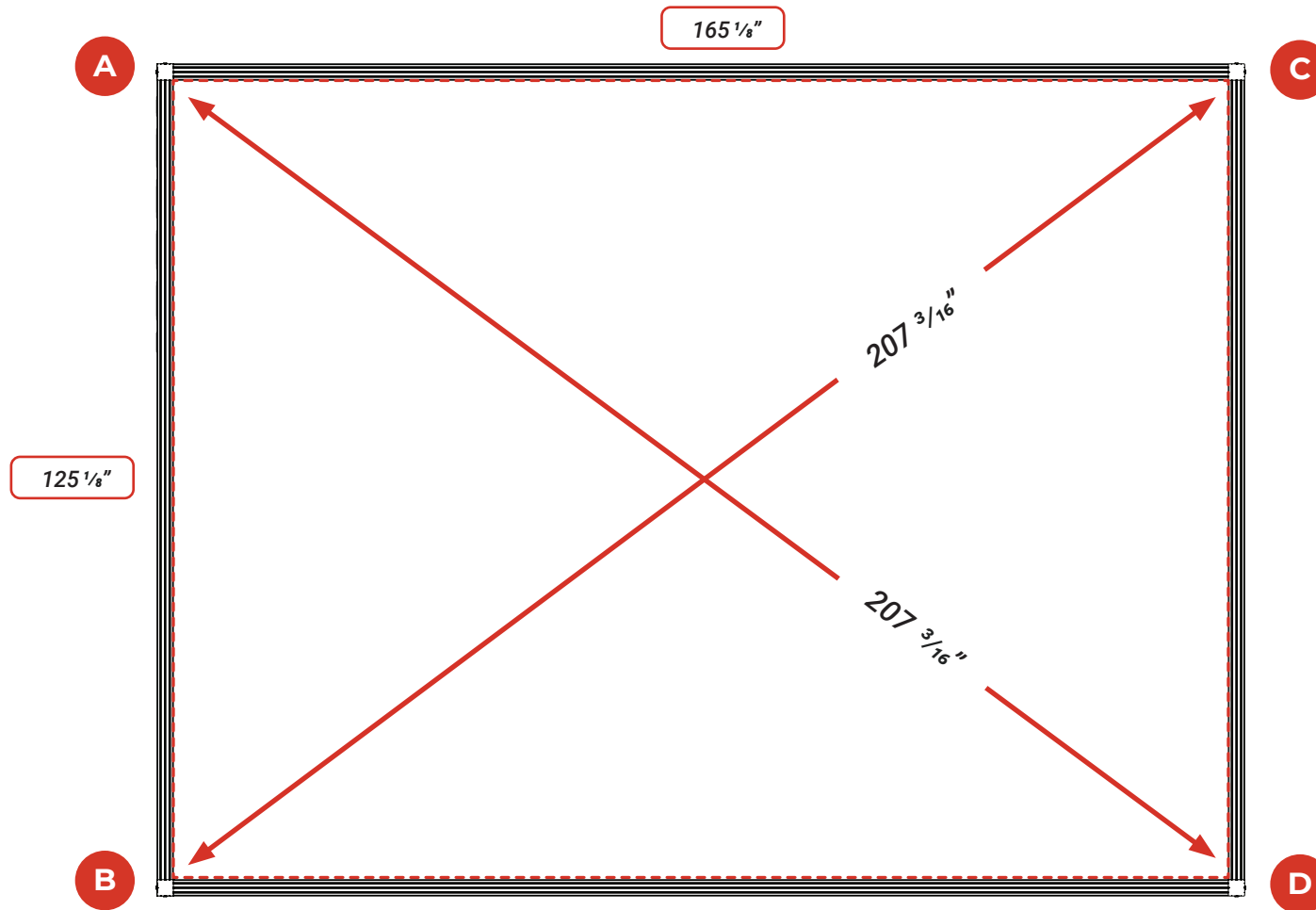
Step 1

1) Using Chalk tool (or a Floor Marking Tape), trace the inside edges of all four corners onto the ground at the exact location you wish your gazebo to be placed.

These markings will be helpful in placing your corner posts and panels in the steps to come.

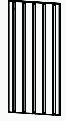


Chalk Line Marker



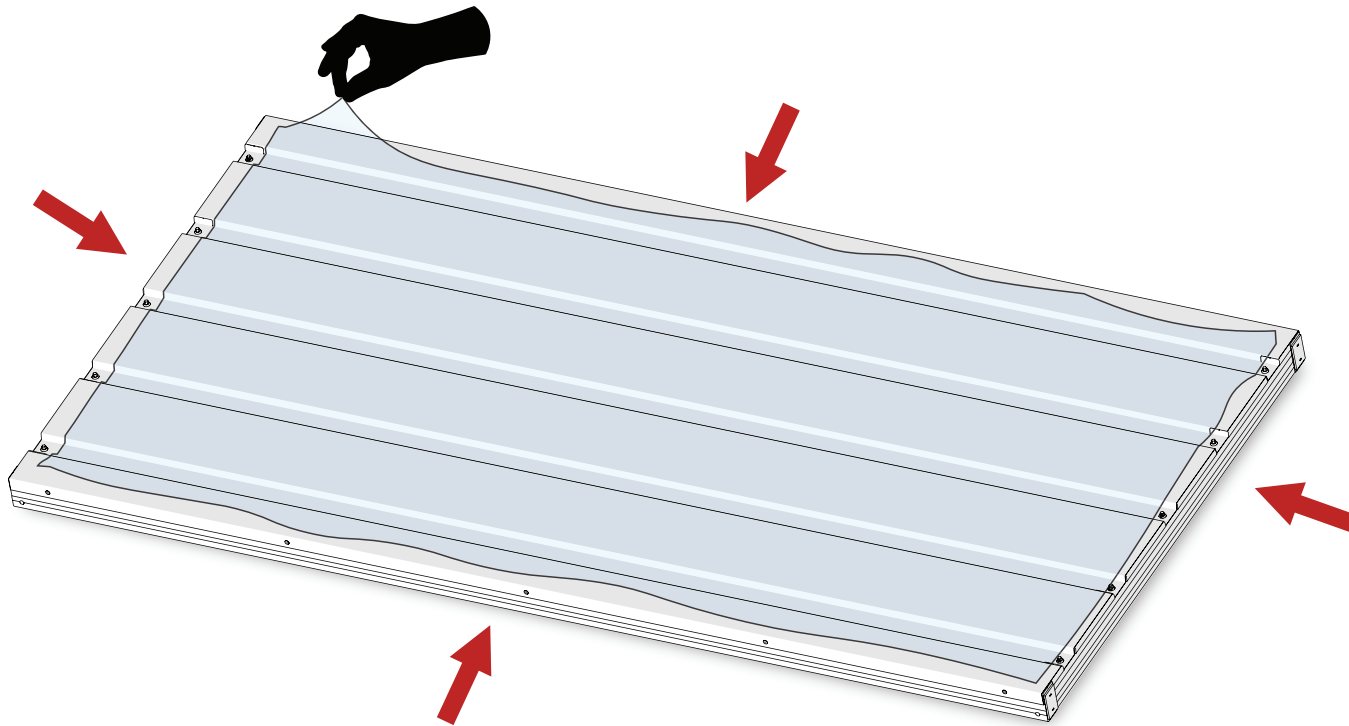
Step 2

1) Remove the protective plastic before assembling the Shear Panels (DC 3544).
The film on the panel is meant to reduce any chance of scratches or scuffs. It is not meant to be left on and will be extremely difficult to remove if left in the sun.



3544 Shear Panel

5X

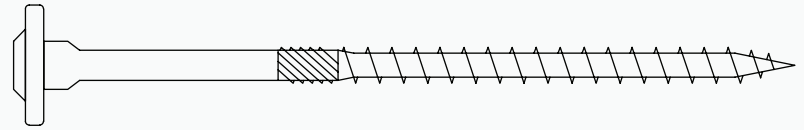


Step 3

1) Assemble two Back Post Assemblies (DC 4111 and DC 5125). Posts are to be flush to the bottom. Pre-drilled pilot holes must be oriented as shown in the diagram. Reserve the Back Post Assemblies for the next steps.



20X



4" X 5/16" RSS (T30 TORX)



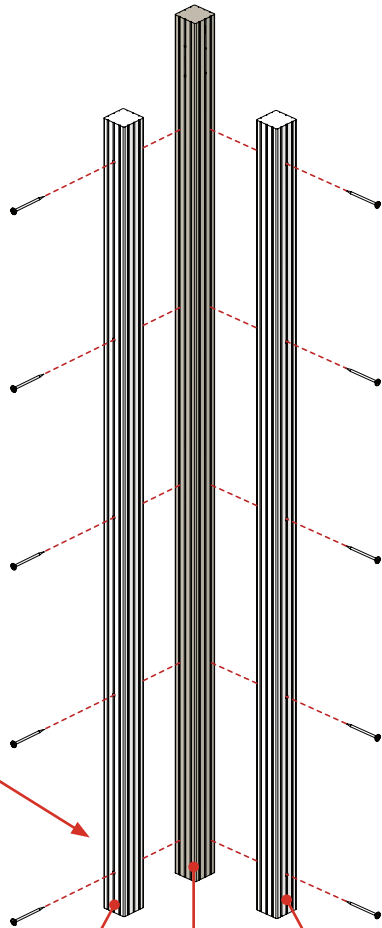
4111 Back Post



5125 Side Post

Inside view

2X



Posts are to be flush to the bottom

5125 Side Post

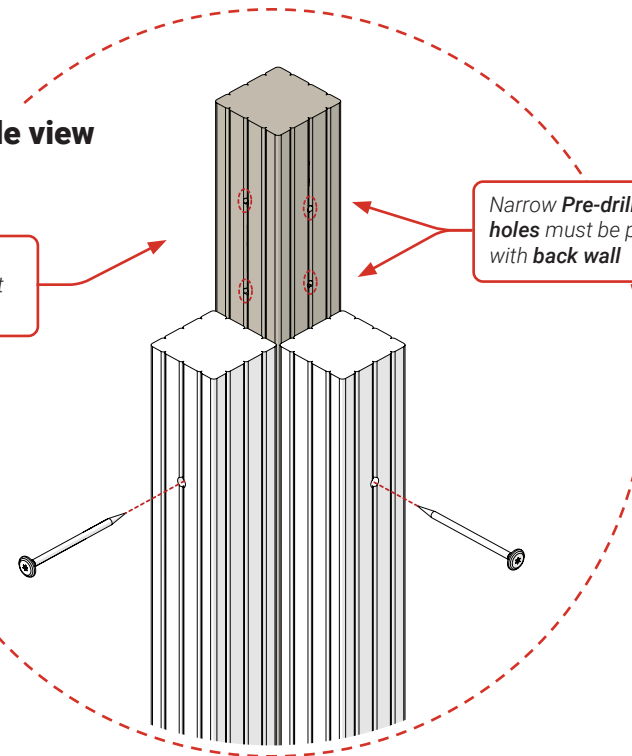
4111 Back Post

5125 Side Post

Inside view

Back Post has **four Pre-drilled sides** that should be on the top

Narrow **Pre-drilled holes** must be parallel with **back wall**



Step 4

1) Use Foam Gasket (DC 1880) and adhere to Panel edges (DC 3544) connecting to Back Post Assembly. Make sure the Back Post is facing the outside corner, as shown.



knife

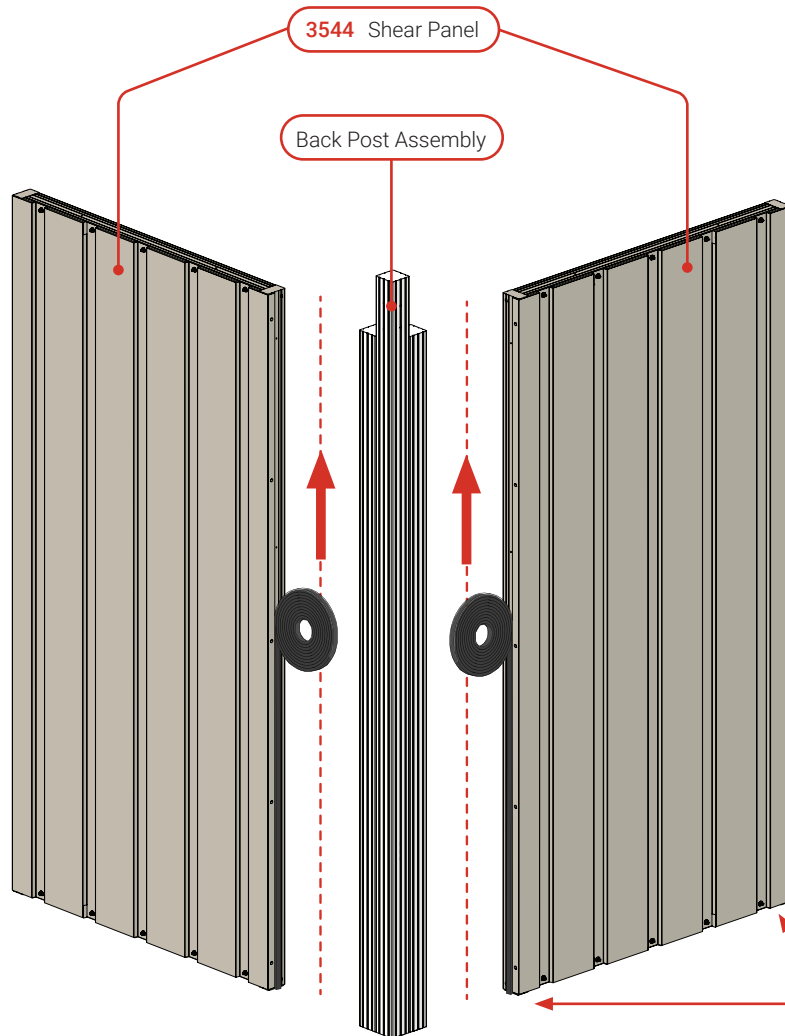


1880 Foam Gasket

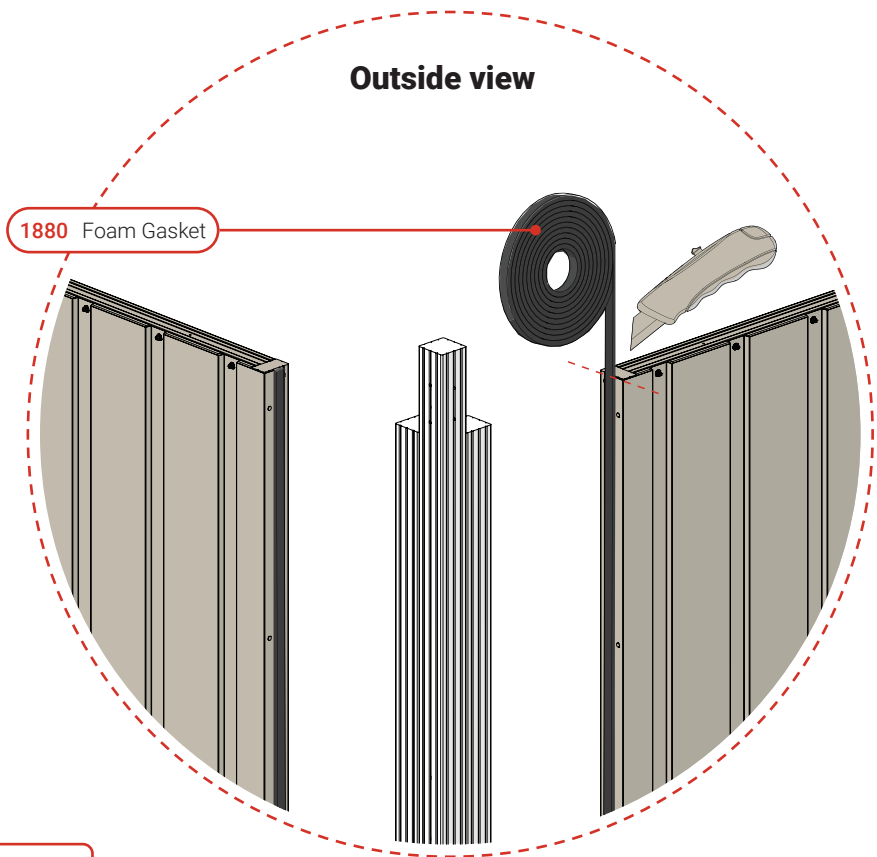


3544 Shear Panel

Outside view

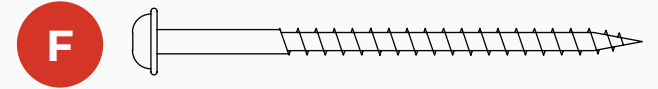


Ensure Plastic Shim is at the bottom



Step 5

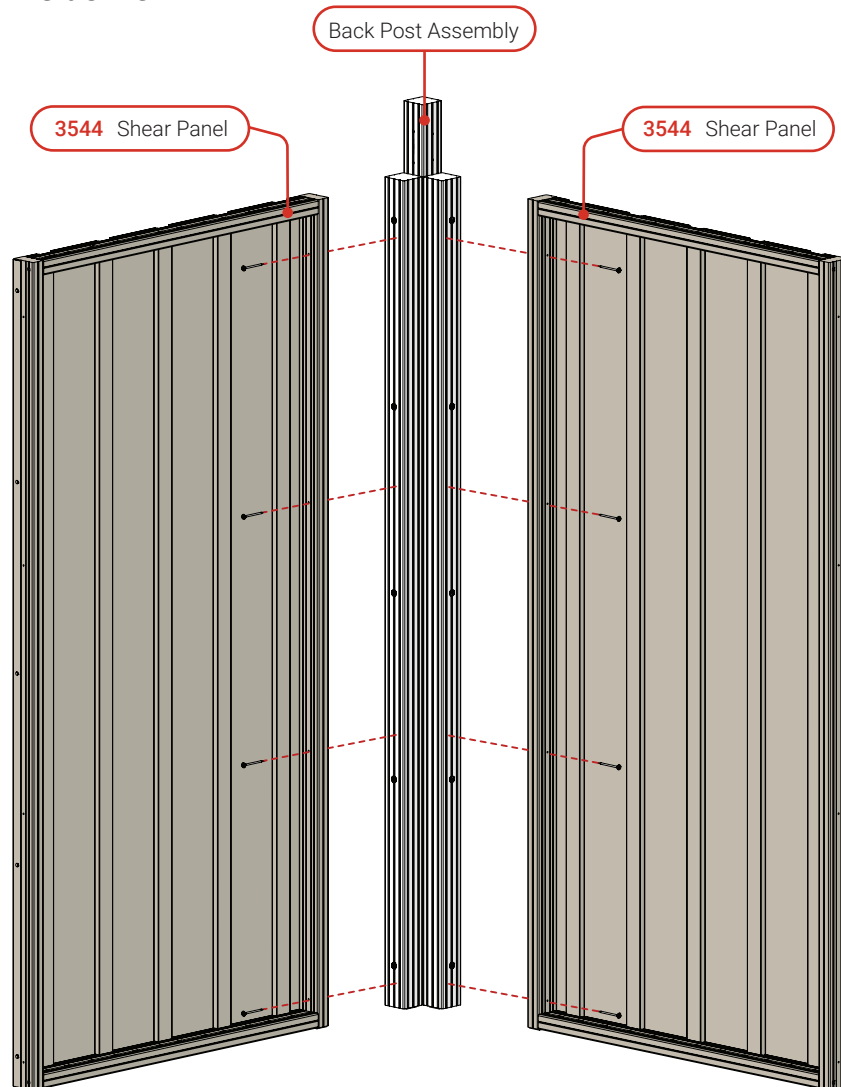
1) Fasten the Panels (DC 3544) to the Back post Assembly.
Wall Panels are to be flush at bottom.



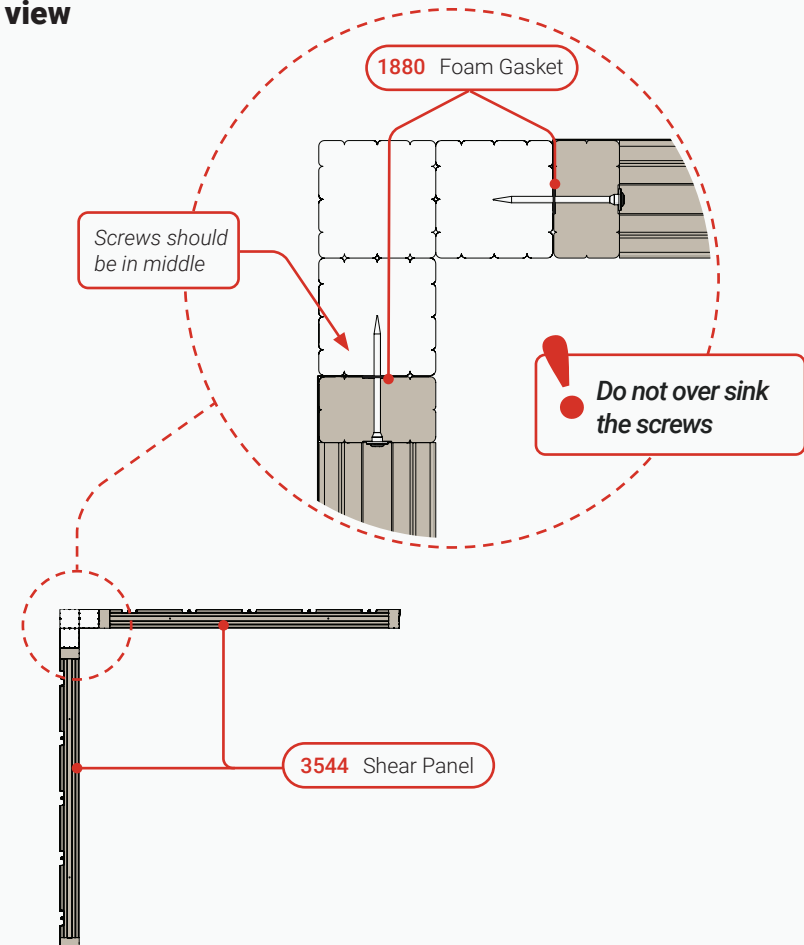
8X

2 1/2" #8 WASHER HEAD (#2 ROBERTSON)

Inside view

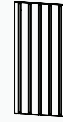


Top view



Step 6

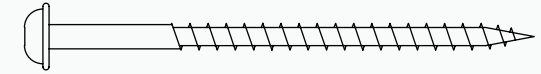
- 1) Repeat Steps 4 and 5 for the other side of the structure.
- 2) Arrange two sets of panels (DC 3544) and Back Post Assemblies.



3544 Shear Panel



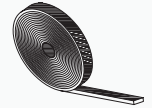
8X



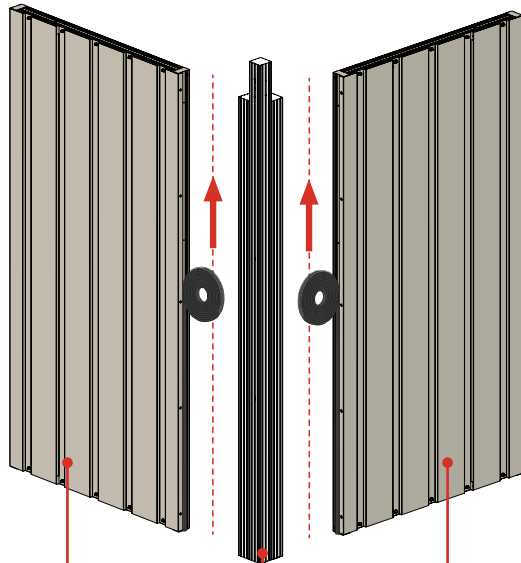
2 1/2" #8 WASHER HEAD (#2 ROBERTSON)



knife

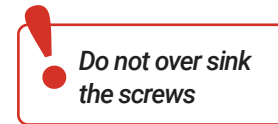
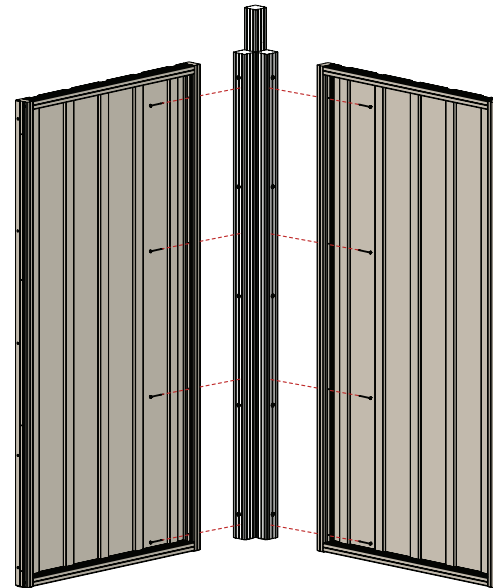


1880 Foam Gasket



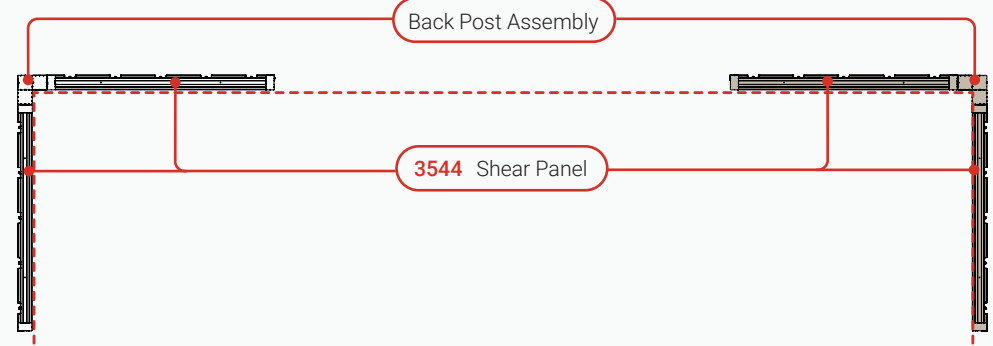
Back Post Assembly

3544 Shear Panel



*Do not over sink
the screws*

Top view



Back Post Assembly

3544 Shear Panel

Step 7

- 1) Use Foam Gasket (DC 1880) and adhere to Panel edges (DC 3506 and DC 3544).
- 2) Fasten the Panels together. Wall Panels are to be flush at top and bottom. If necessary, use Trigger Clamps to assist wall assembly.



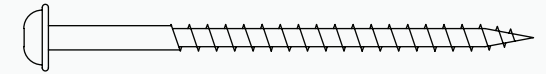
3506 Full Glass Window



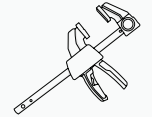
1880 Foam Gasket



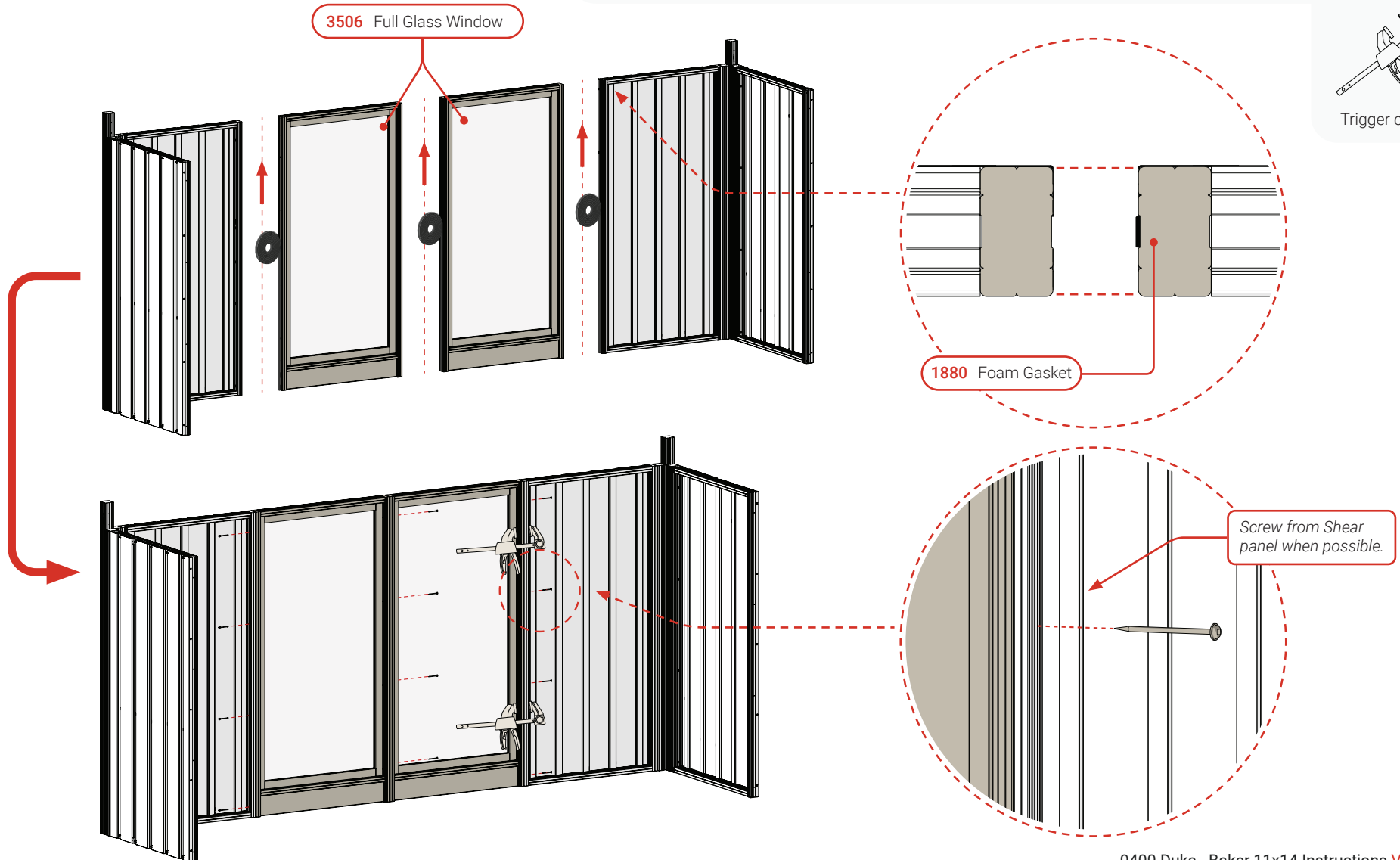
12X



2 1/2" #8 WASHER HEAD (#2 ROBERTSON)



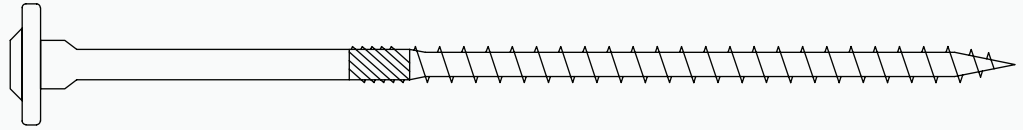
Trigger clamp



Step 8

- 1) Use Foam Gasket (DC 1880) and adhere to Panel edges (DC 3544).
- 2) Fit the Side Post (DC 5125) to Shear Panel edges, then Narrow Post (DC 4010) to Side Post edge. Posts to sit tight to floor.
- 3) Fasten Posts to Shear Panels, as shown. Do the same for both sides of the structure. If necessary, use Trigger Clamps to assist Posts assembly.

W



10X

5-1/8" X 5/16" RSS (T30 TORX)



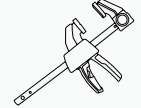
4010 Narrow Post



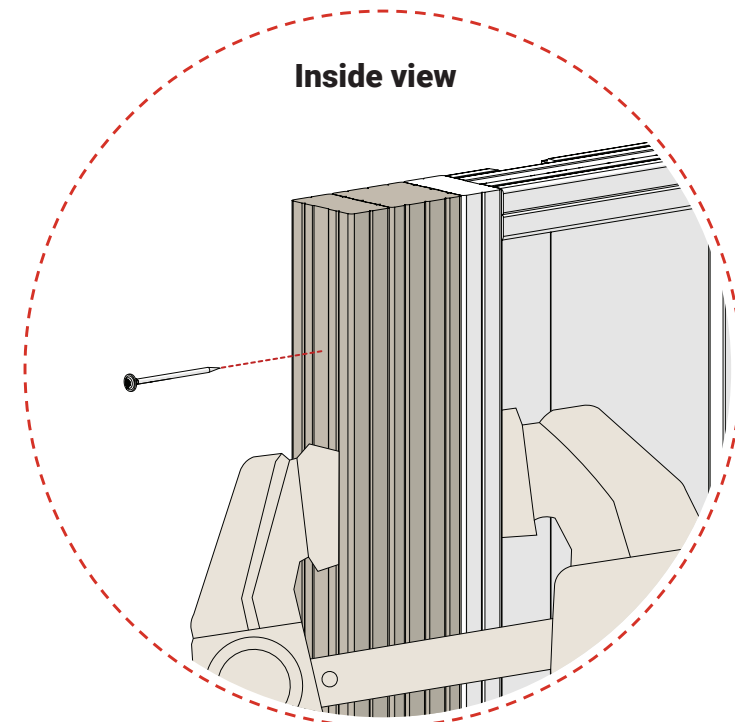
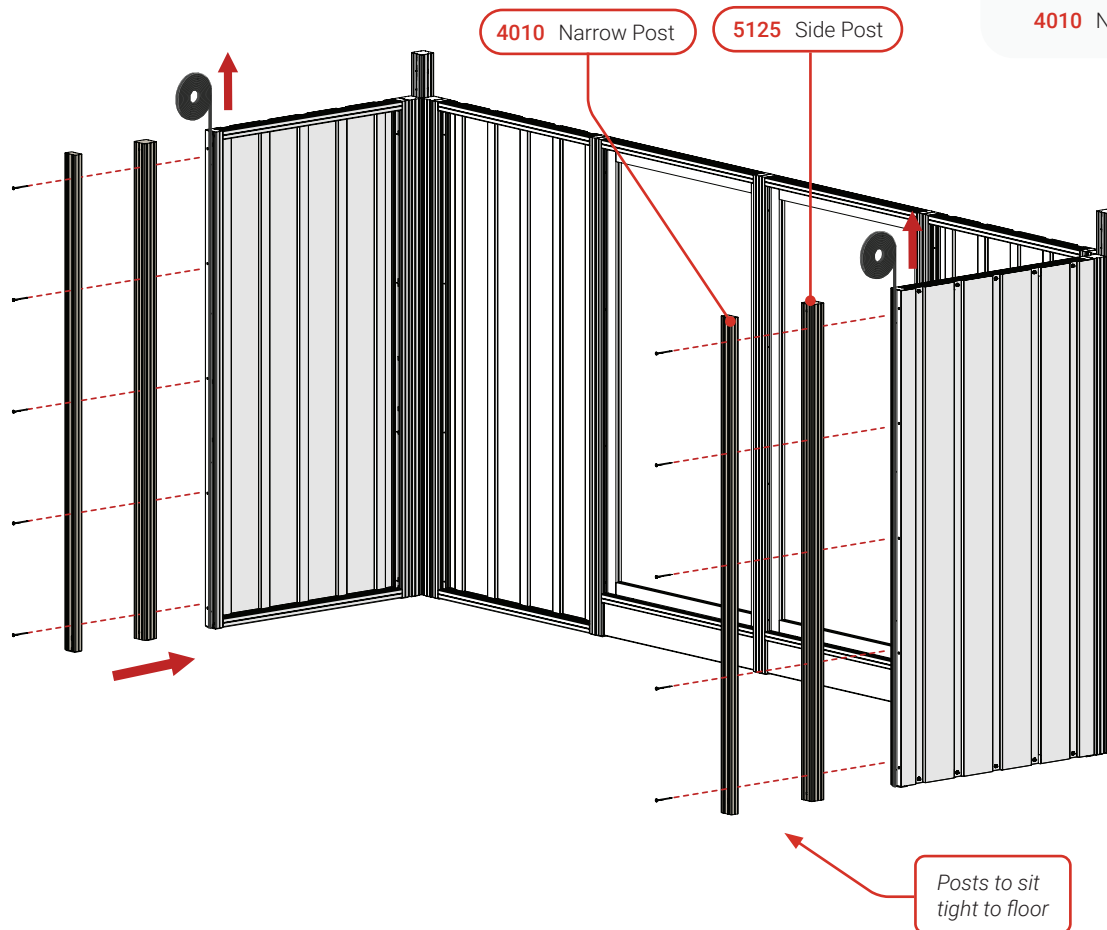
5125 Side Post



1880 Foam Gasket



Trigger clamp



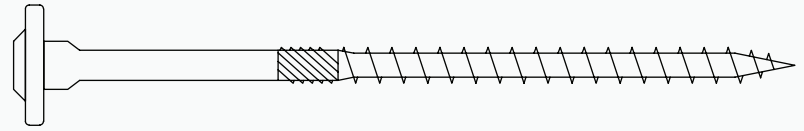
Inside view

Step 9

1) Assemble two Front Post Assemblies (DC 4110 and DC 4007), as shown.
All the Posts of the Assembly are to be flush to the bottom.
Front Post (DC 4110) has 6 pre-drilled holes that must face each other. The 2 pre-drilled holes side must face the back of the structure.



20X



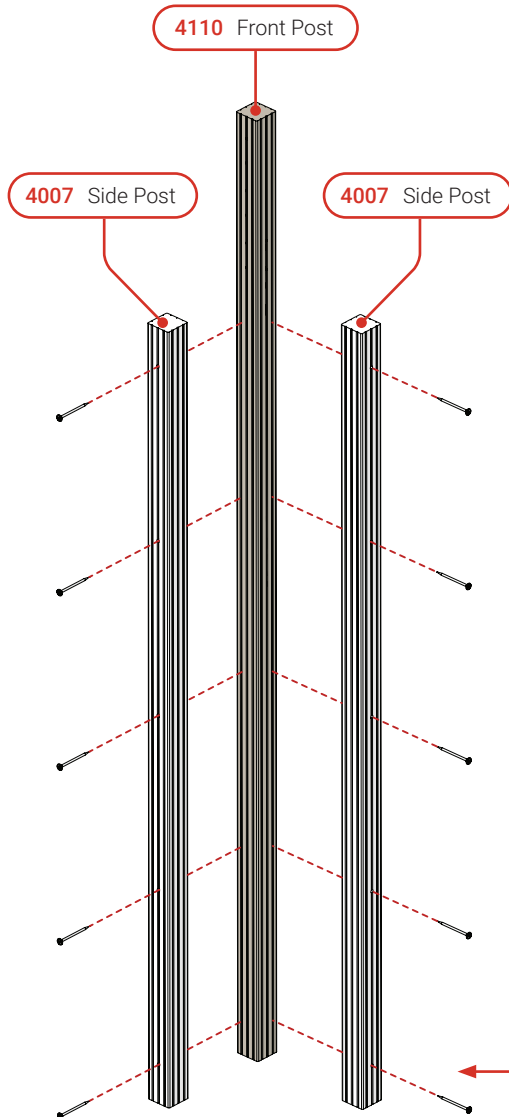
4" X 5/16" RSS (T30 TORX)



4110 Front Post

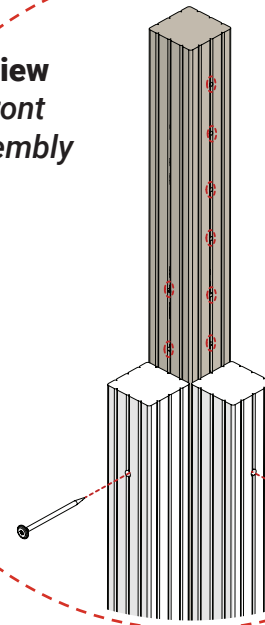


4007 Side Post (Pre-drilled)



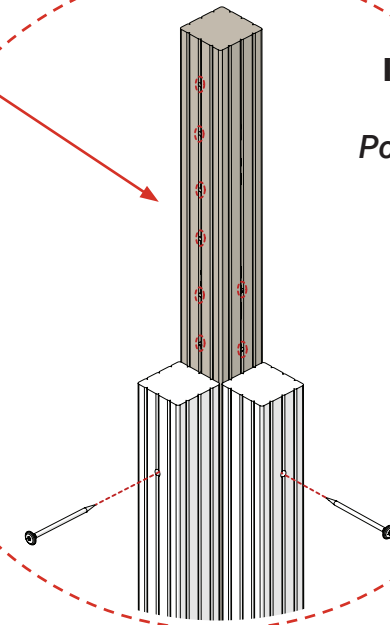
2X

Inside view
Right Front
Post Assembly



The side that contains
6 holes must face
each other

Inside view
Left Front
Post Assembly

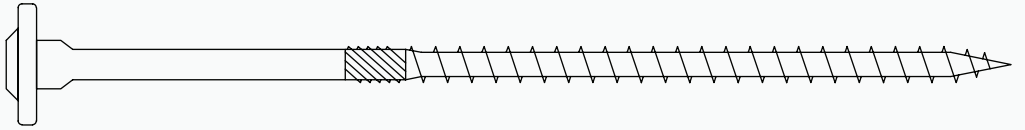


Posts are to be flush
to the bottom

Step 10

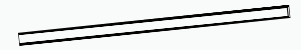
- 1) Assemble the Side Beams (DC 4109) to Front Post Assemblies.
- 2) Fasten the Side Beams through the two pre-drilled holes, as shown.

W

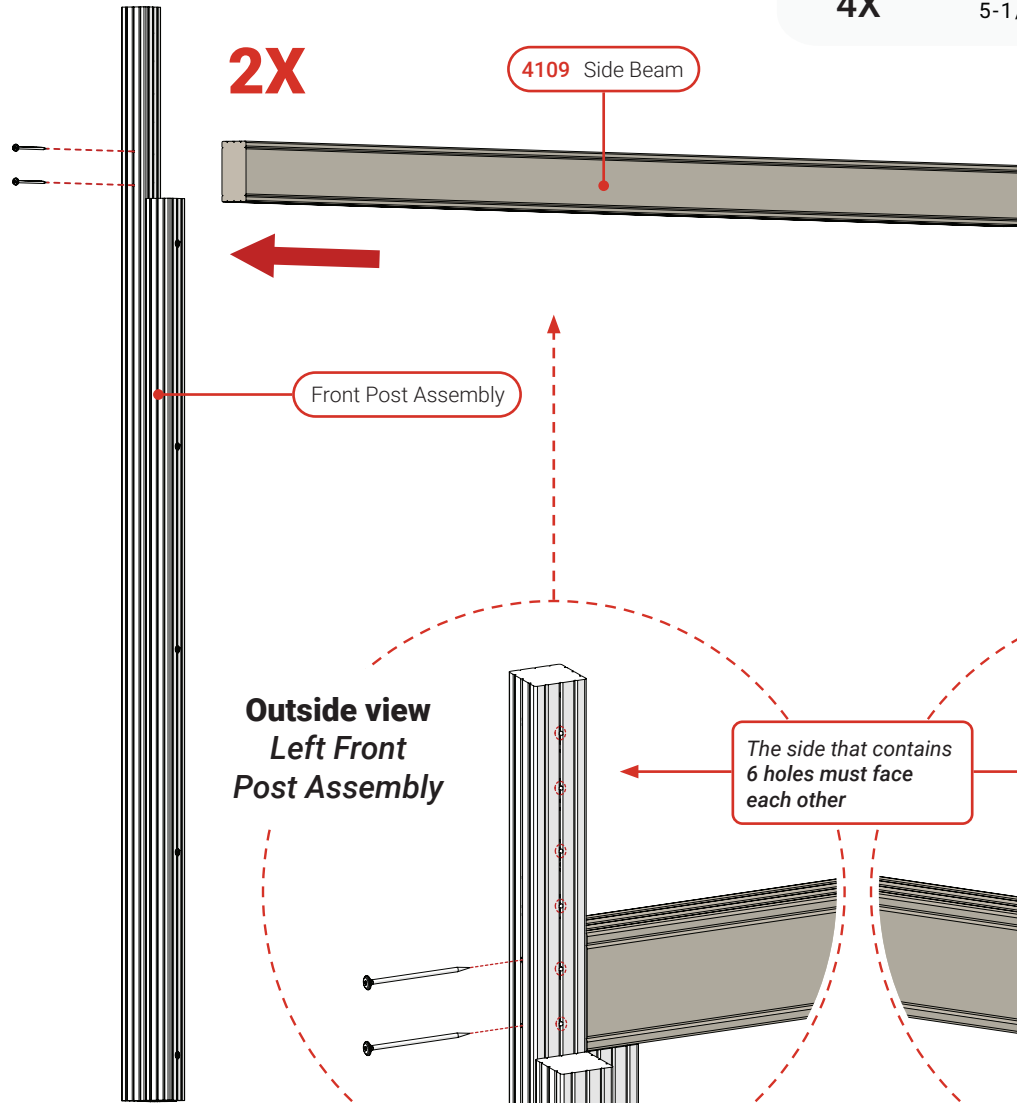


4X

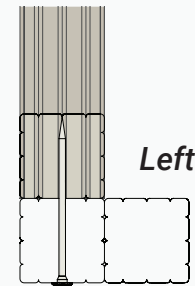
5-1/8" X 5/16" RSS (T30 TORX)



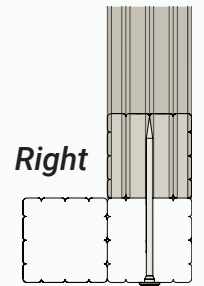
4109 Side Beam



Top view



Left



Right

Outside view
Left Front
Post Assembly

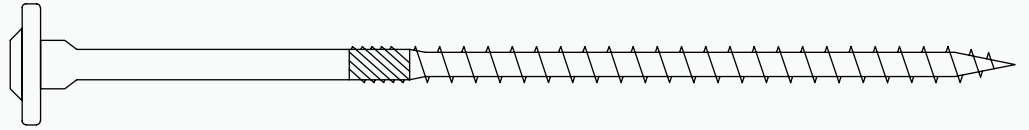
The side that contains
6 holes must face
each other

Outside view
Right Front
Post Assembly

Step 11

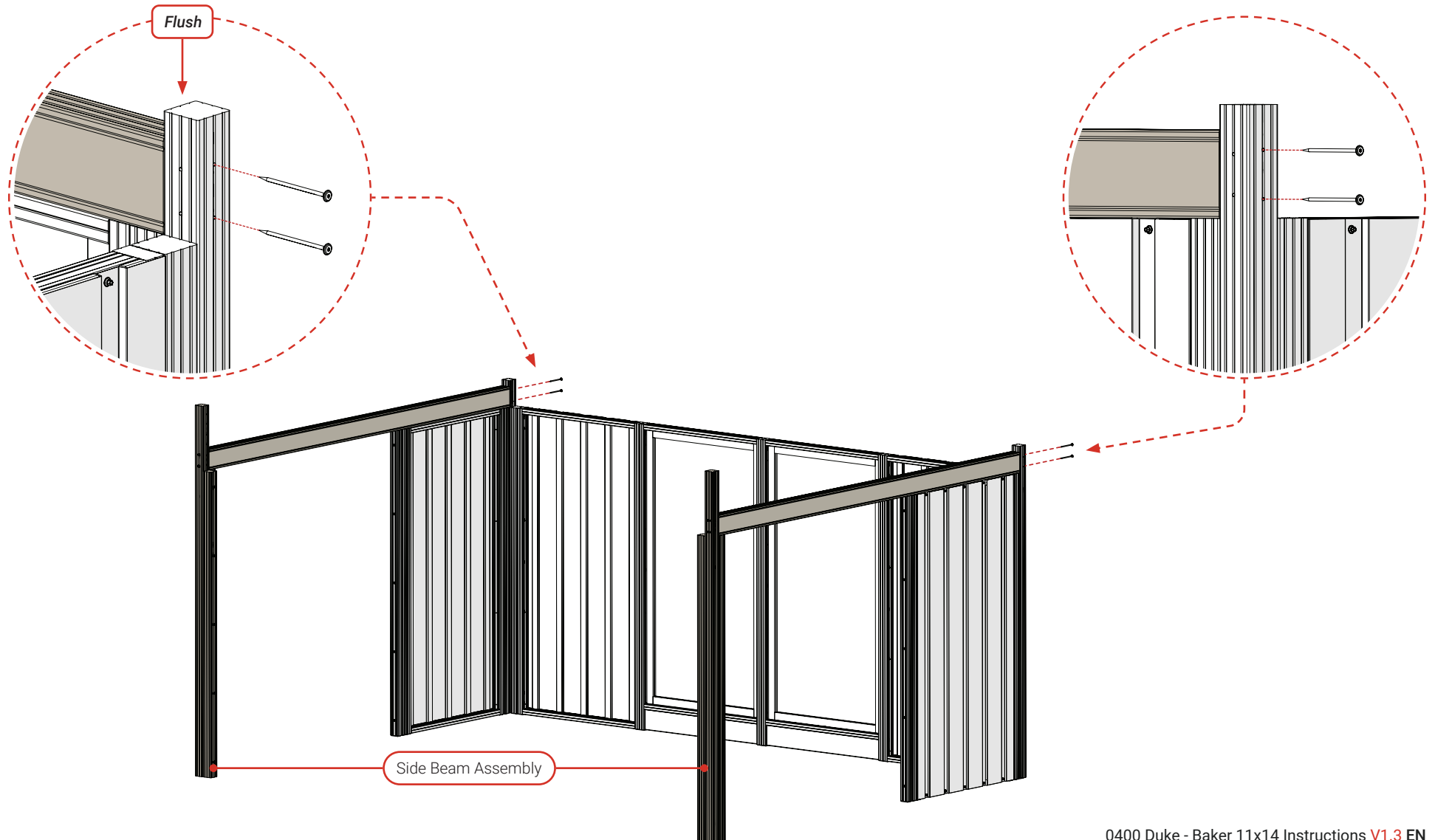
- 1) Carefully place the Side Beam Assemblies on both sides.
- 2) Fasten the Side Beam Assembly to Back Posts through the two pre-drilled holes, as shown.

W



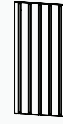
4X

5-1/8" X 5/16" RSS (T30 TORX)



Step 12

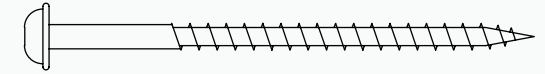
- 1) Use Foam Gasket (DC 1880) and adhere to Panel edges (DC 3544).
- 2) Fasten the Shear Panel to the structure from the inside, as shown.



3544 Shear Panel



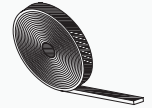
4X



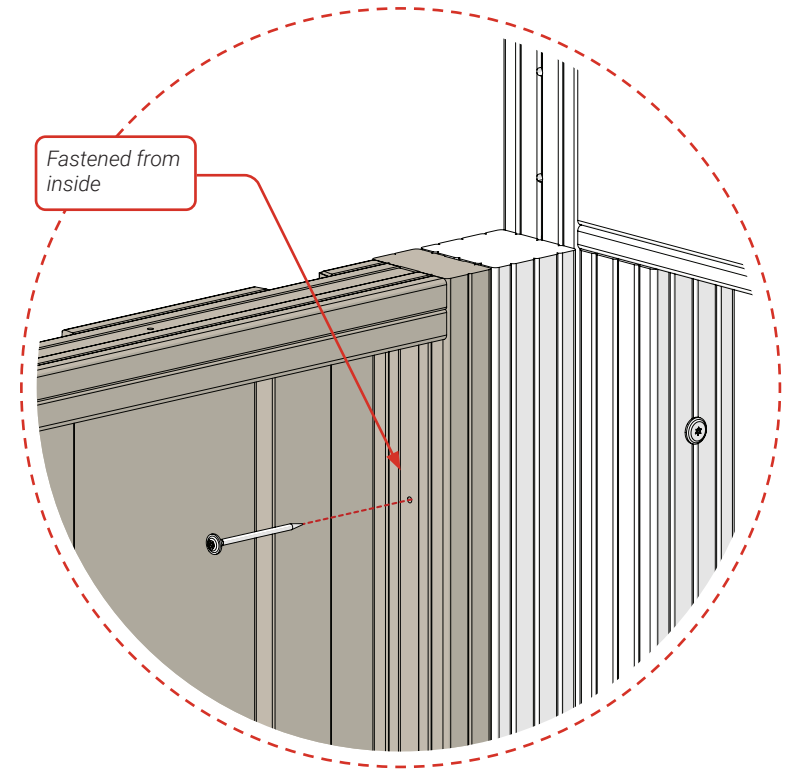
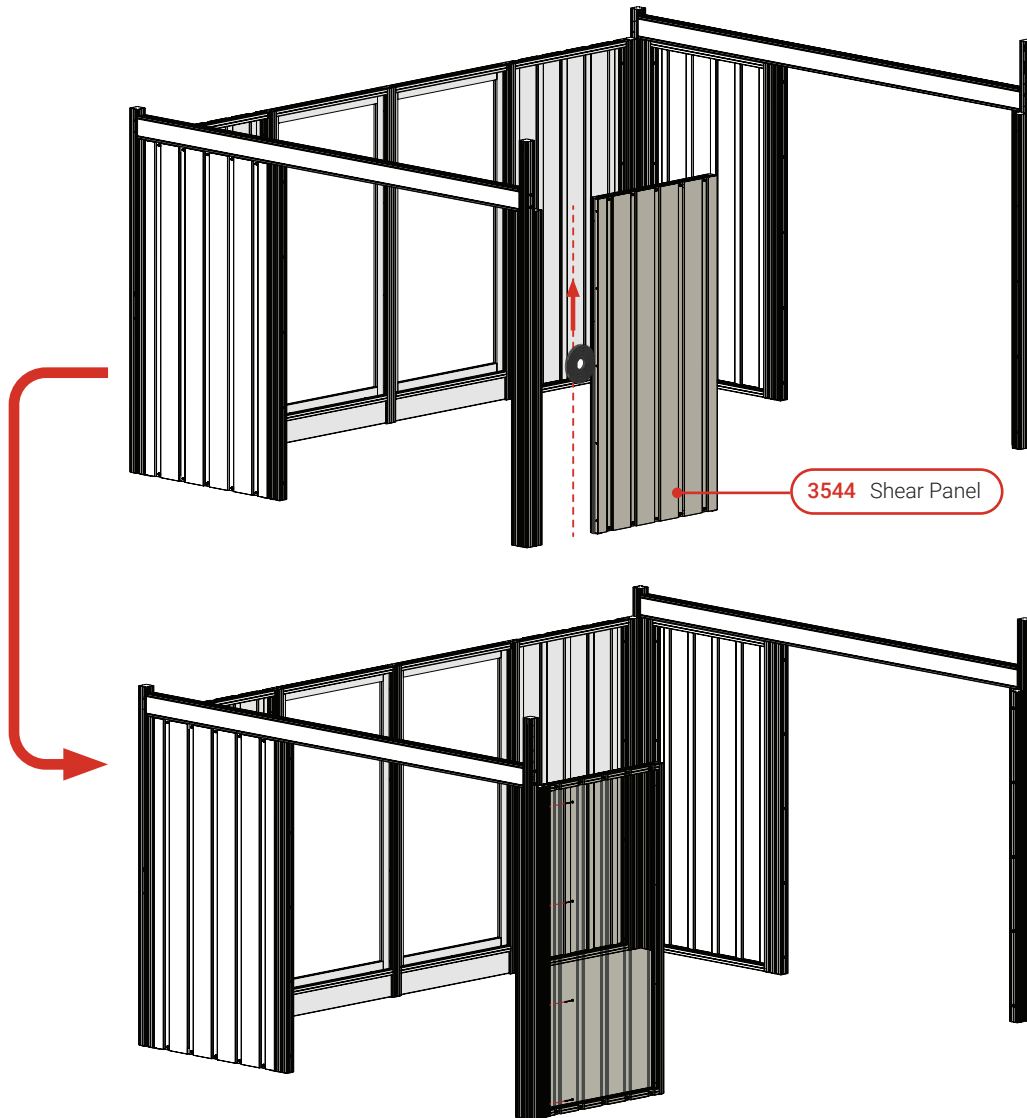
2 1/2" #8 WASHER HEAD (#2 ROBERTSON)



knife



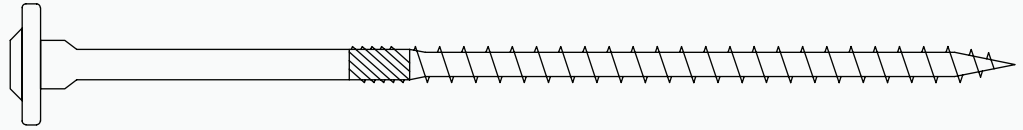
1880 Foam Gasket



Step 13

- 1) Use Foam Gasket (DC 1880) and adhere to Panel edges (DC 3544).
- 2) Fit the Side Post (DC 5125) to Shear Panel edge, then Narrow Post (DC 4010) to Side Post edge. Posts to sit tight to floor.
- 3) Fasten Posts to Shear Panel, as shown. If necessary, use Trigger Clamps to assist Posts assembly.

W



5X

5-1/8" X 5/16" RSS (T30 TORX)



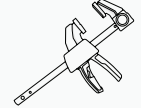
4010 Narrow Post



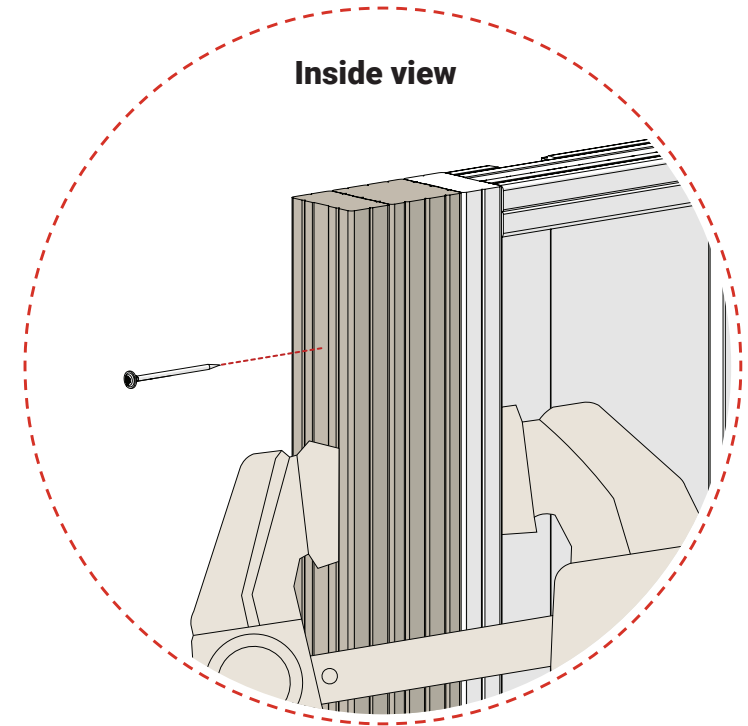
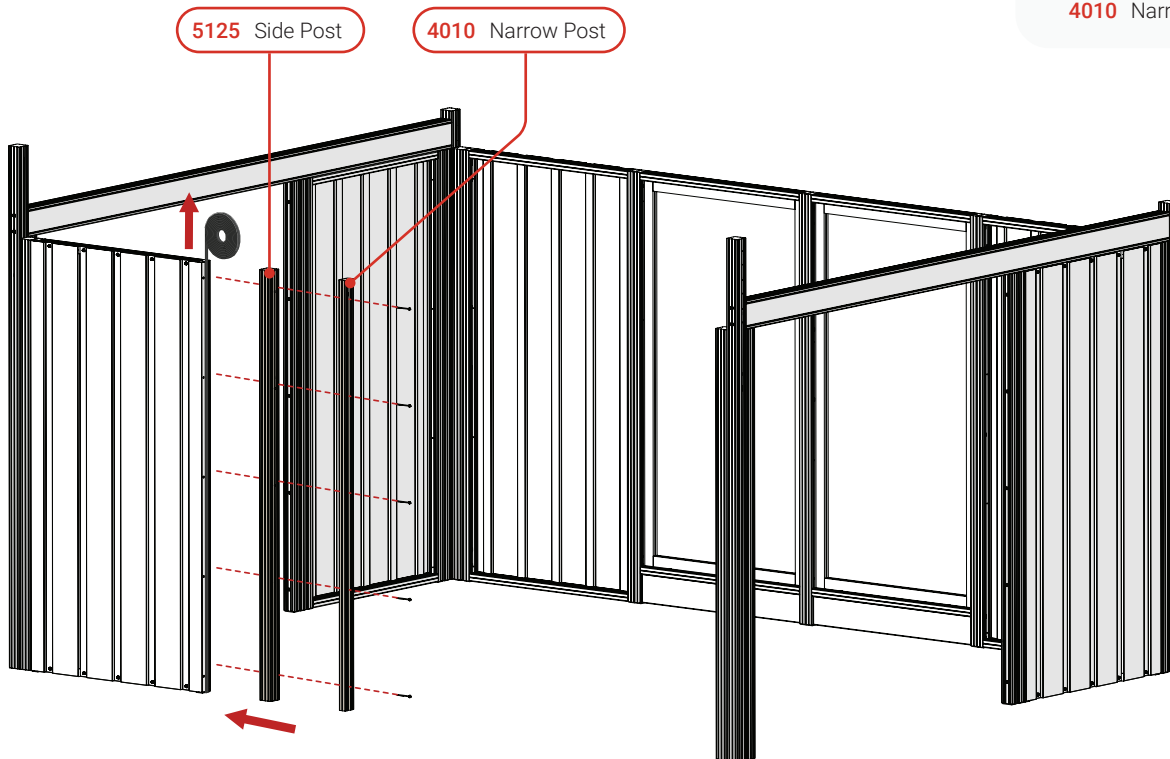
5125 Side Post



1880 Foam Gasket



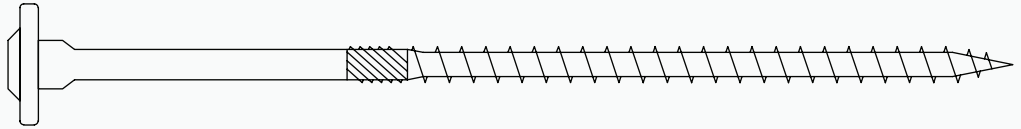
Trigger clamp



Step 14

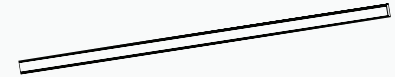
- 1) Place the Beam (DC 4107) between Front Posts.
- 2) Fasten the Beam through the Front Posts Pre-drilled holes in both sides, as shown.

W

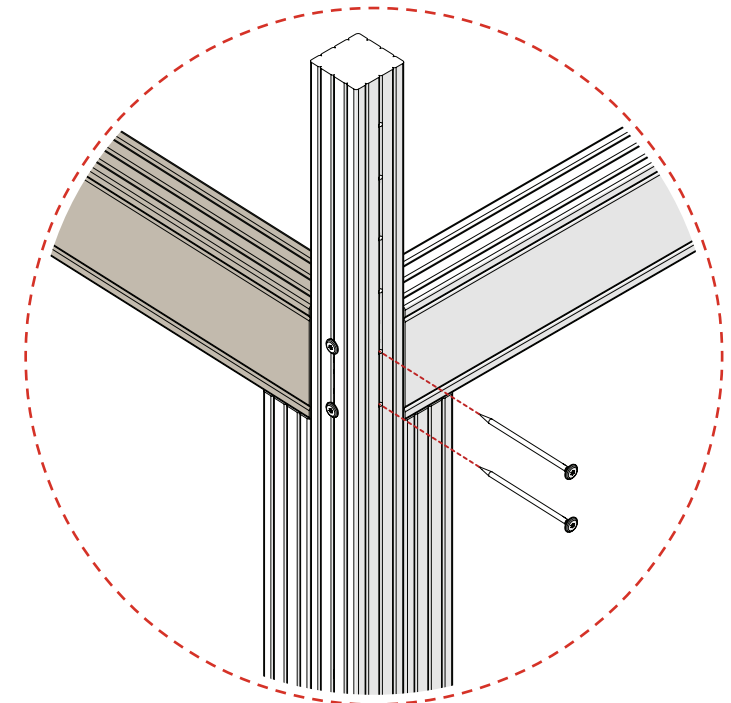
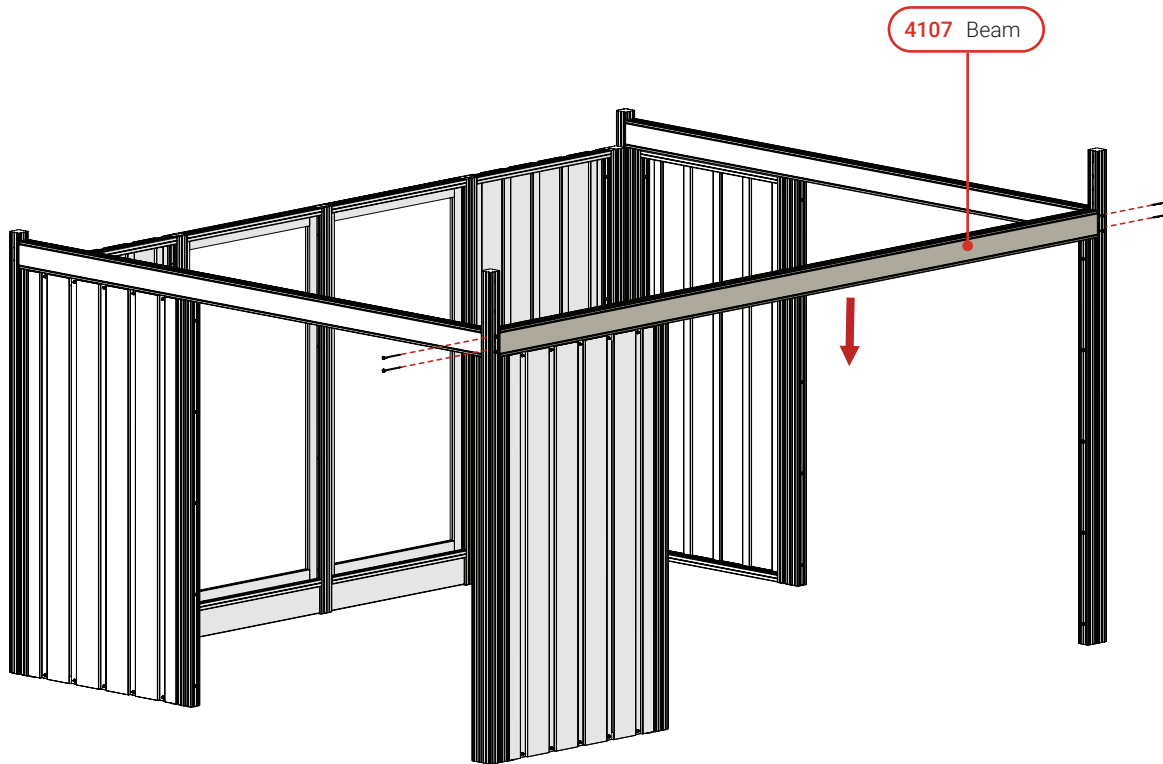


4X

5-1/8" X 5/16" RSS (T30 TORX)



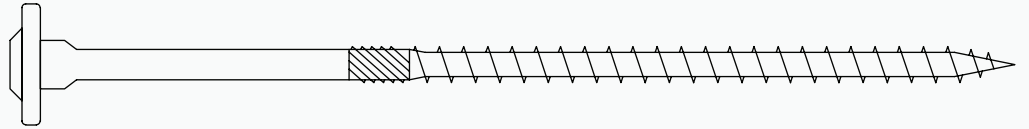
4107 Beam



Step 15

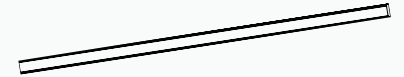
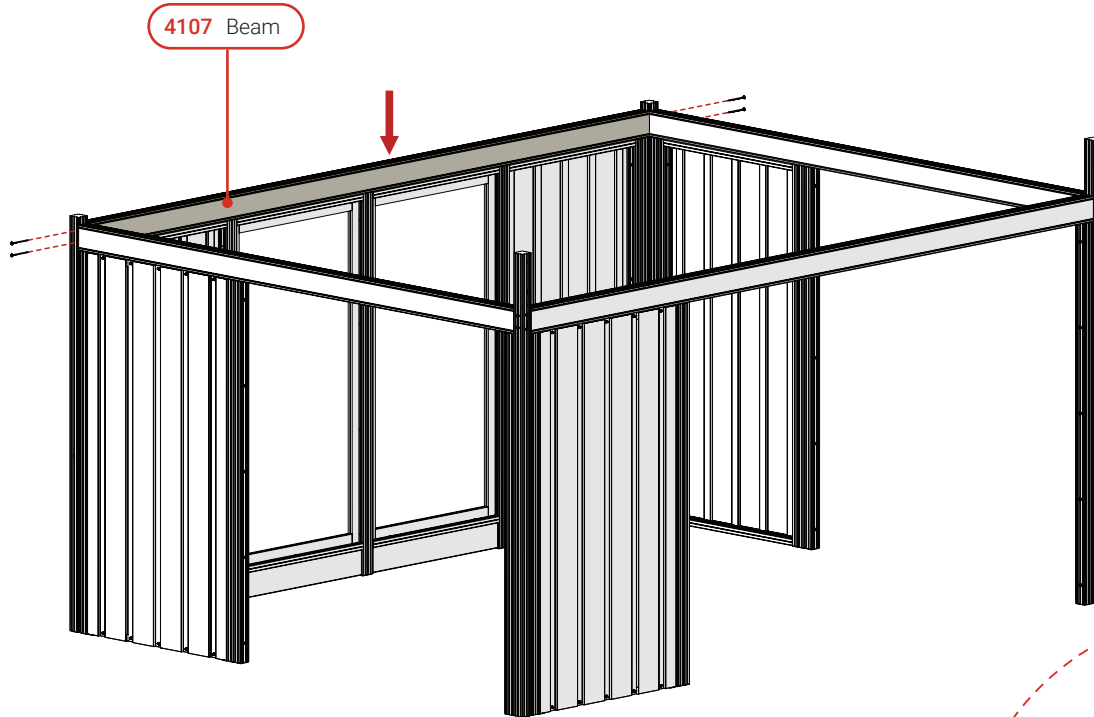
- 1) Place the Beam (DC 4107) between Back Posts.
- 2) Fasten the Beam through the Back Posts Pre-drilled holes in both sides, as shown.

W

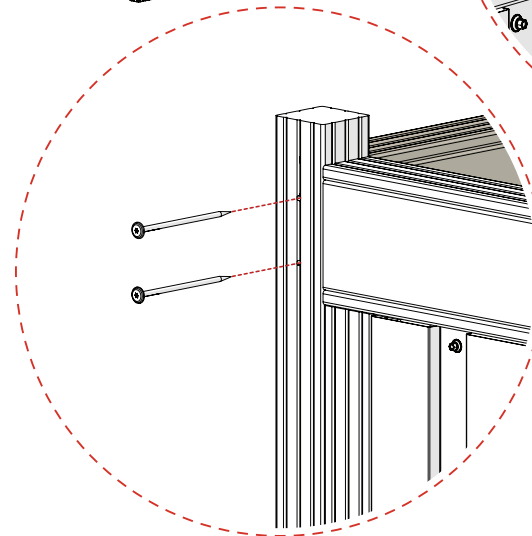
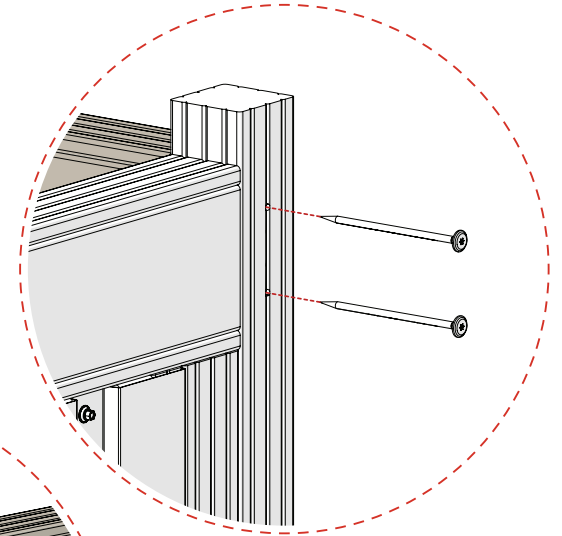


4X

5-1/8" X 5/16" RSS (T30 TORX)



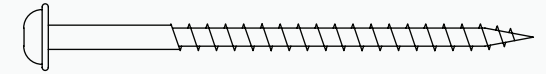
4107 Beam



Step 16

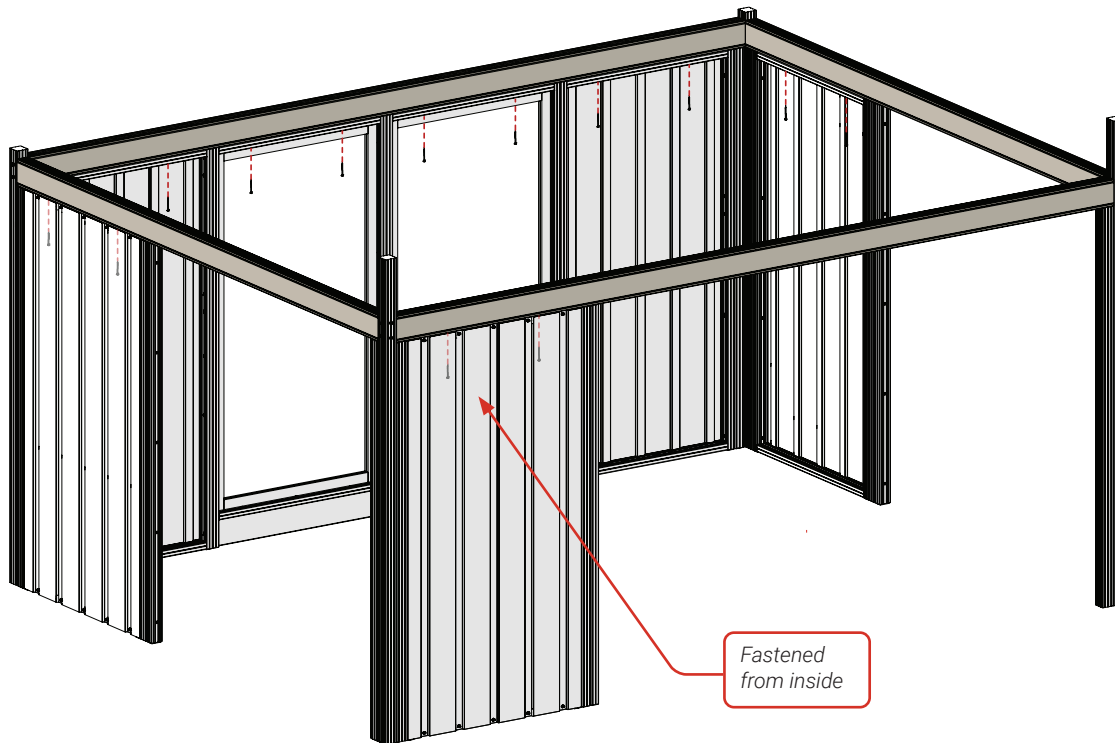
1) Fasten the Beams to Full Glass Windows and Shear Panels from inside.
Use two screws per Panel.

F

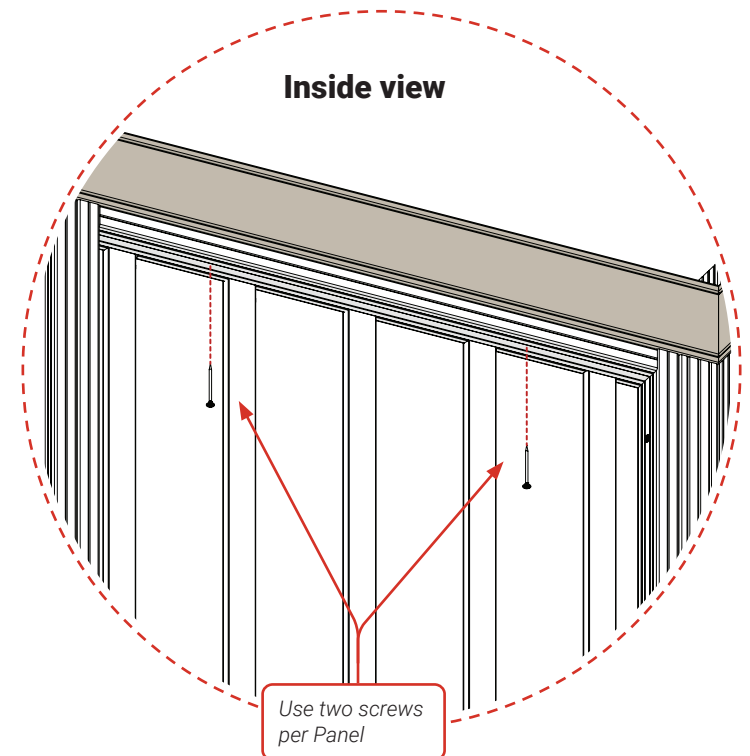


14X

2 1/2" #8 WASHER HEAD (#2 ROBERTSON)



Fastened
from inside



Inside view

Use two screws
per Panel

Step 17

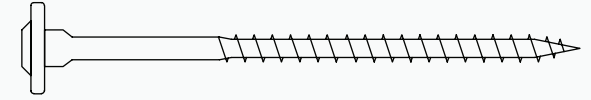
- 1) Fit the three Threshold Pieces (DC 4026 and DC 4027) between Posts and flat on the floor.
- 2) Fasten Thresholds to the Posts, as shown.

4026 Long Threshold

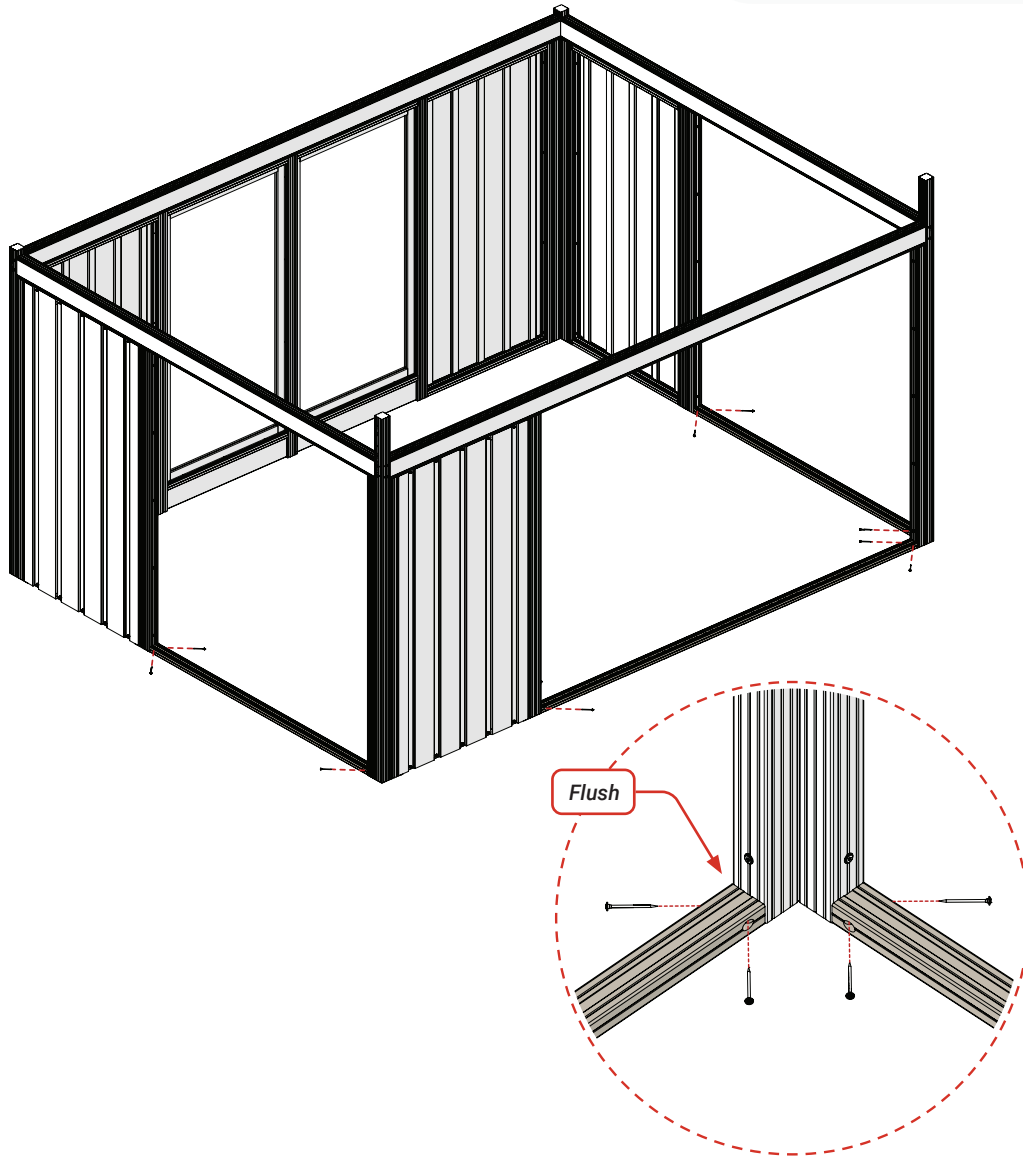
4027 Short Threshold



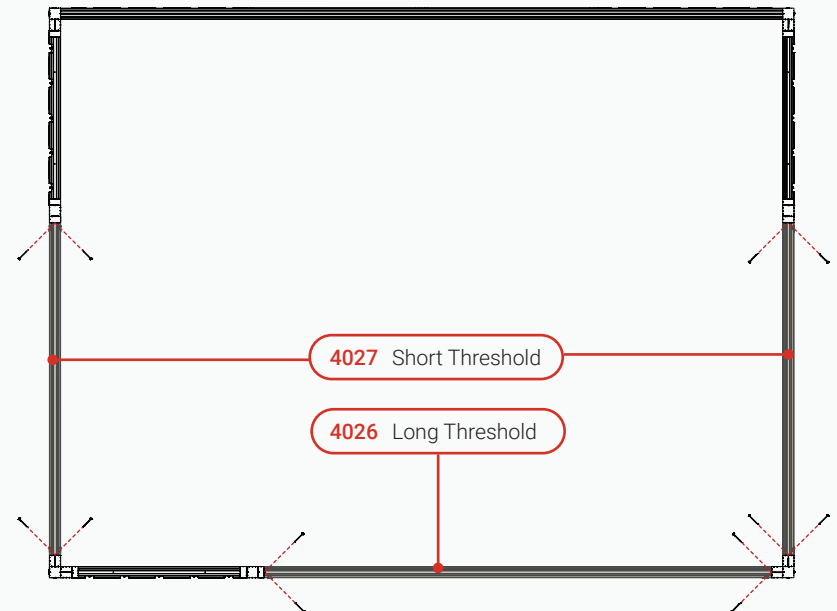
12X



2 3/4" #10 RSS (T25 TORX)

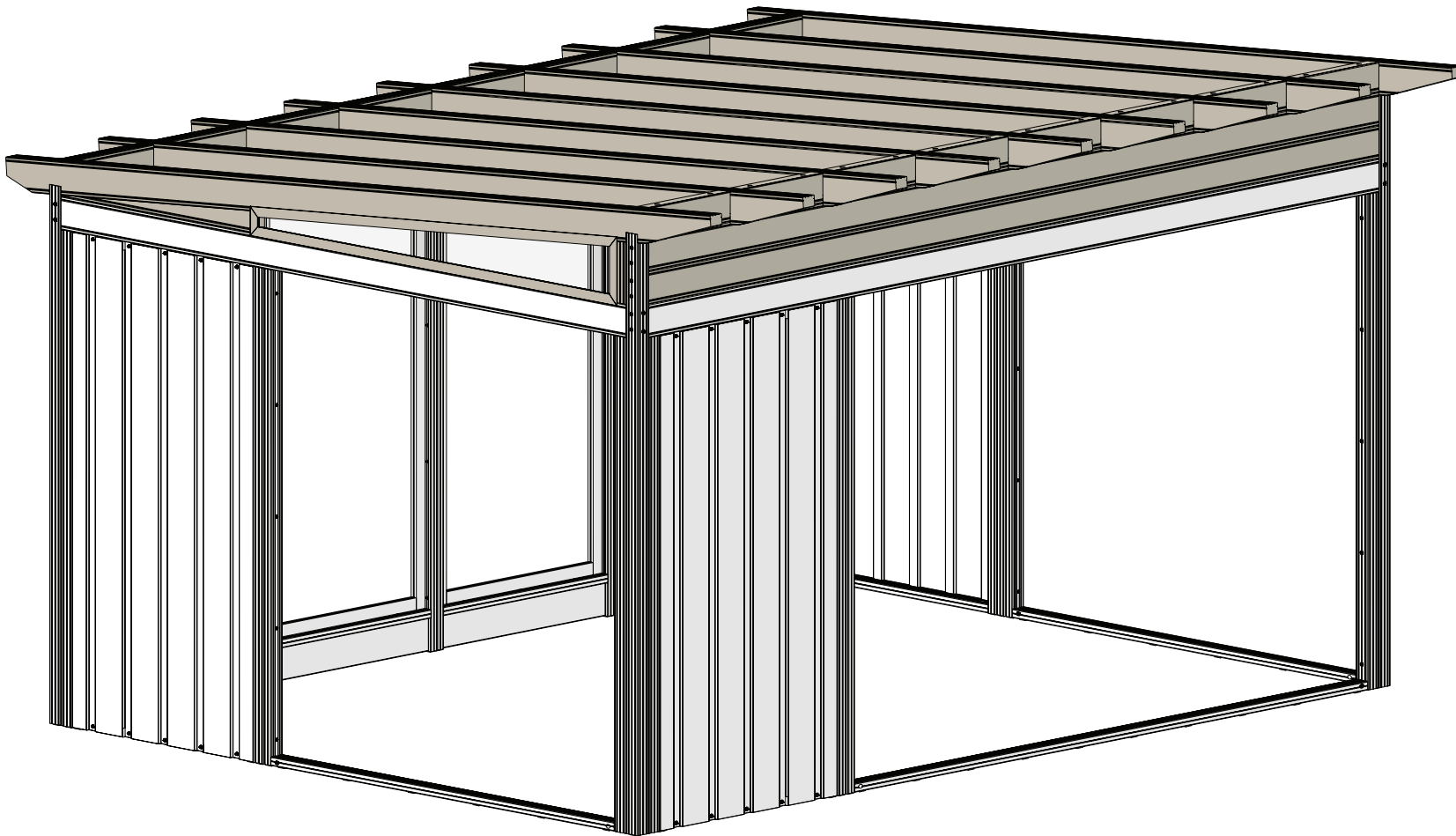


Top view



Phase B

B Roofing Structure & Upper Windows

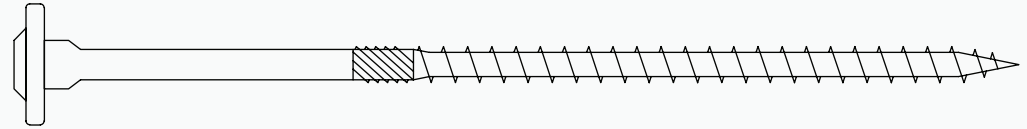


Step 18

- 1) Place the first Upper Beam (DC 4108) between Posts as shown.
- 2) Fasten through the pre-drilled holes following the order shown on Detail Views. Use the Torx T30 6" Bit to reach full depth.

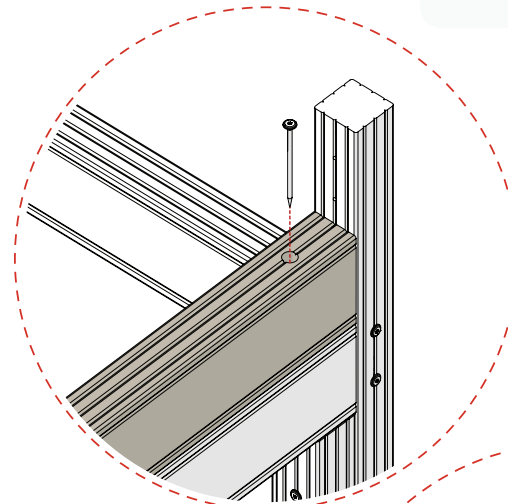
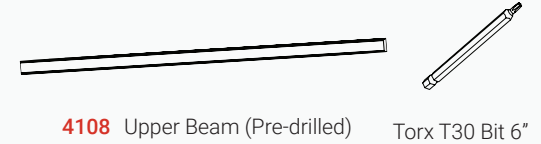
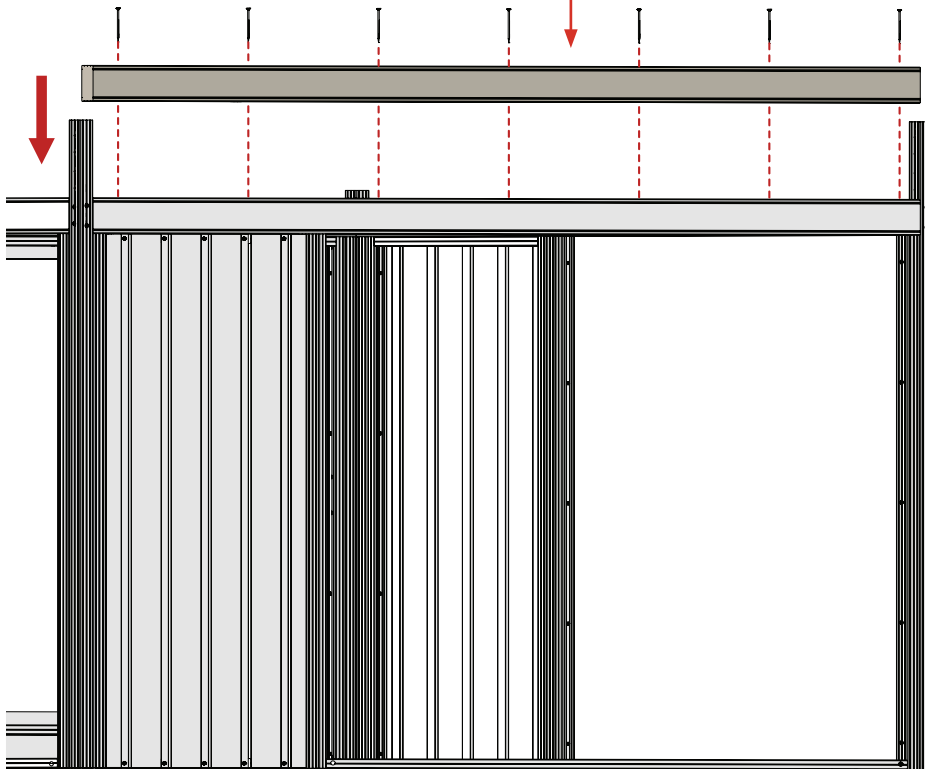
W

11X

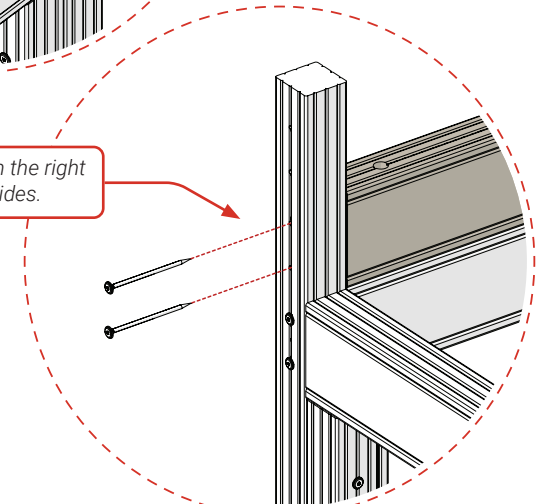


5-1/8" X 5/16" RSS (T30 TORX)

4108 Upper Beam



Fasten on the right and left sides.

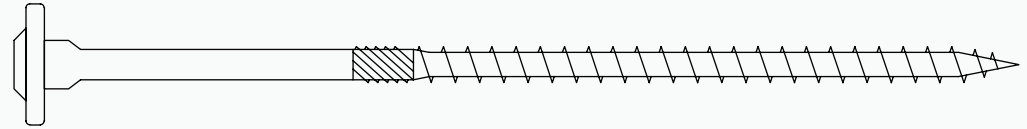


Step 19

- 1) Flip the second Upper Beams (DC 4108) and Place between Posts as shown. *Flip horizontally the second Upper Beam to change the holes positions.*
- 2) Fasten through the pre-drilled holes following the order shown on Detail Views. *Use the Torx T30 6" Bit to reach full depth.*

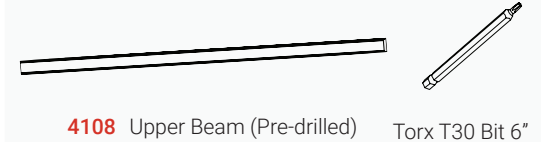
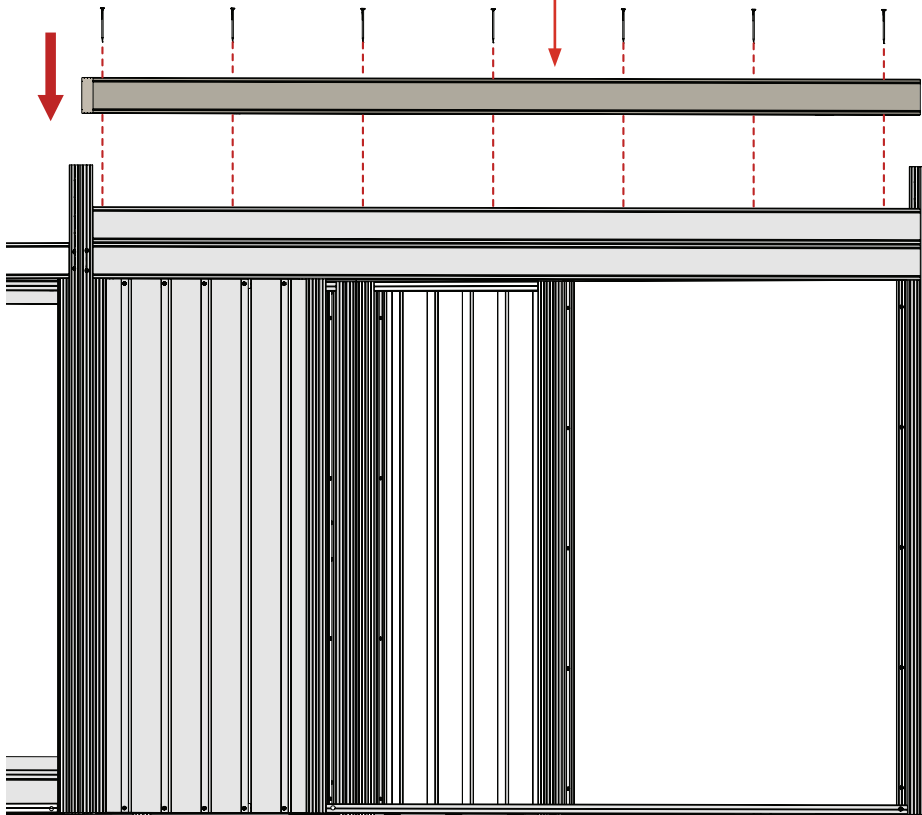
W

11X



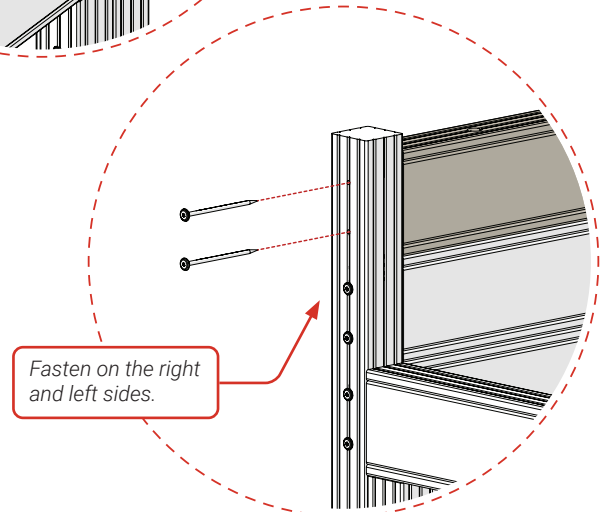
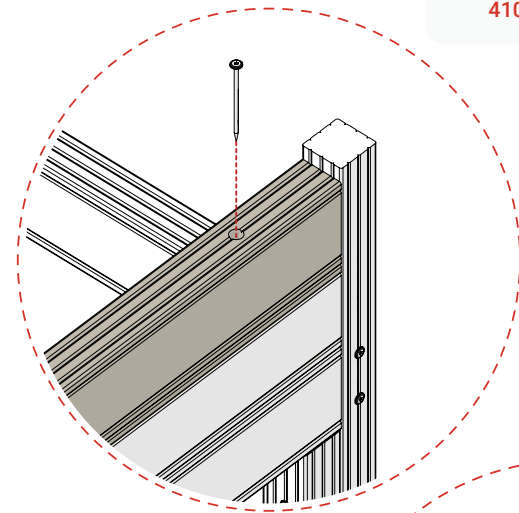
5-1/8" X 5/16" RSS (T30 TORX)

4108 Upper Beam



4108 Upper Beam (Pre-drilled)

Torx T30 Bit 6"



Fasten on the right and left sides.

Step 20

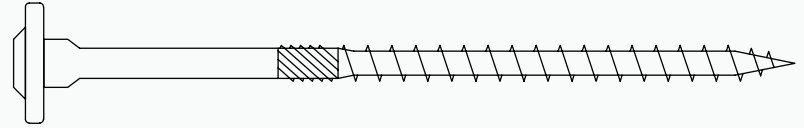
1) Fasten the Uprights (DC 4112) to Front Posts in the inside holes.
Align the longest face to the Post and the shortest face to backwards.



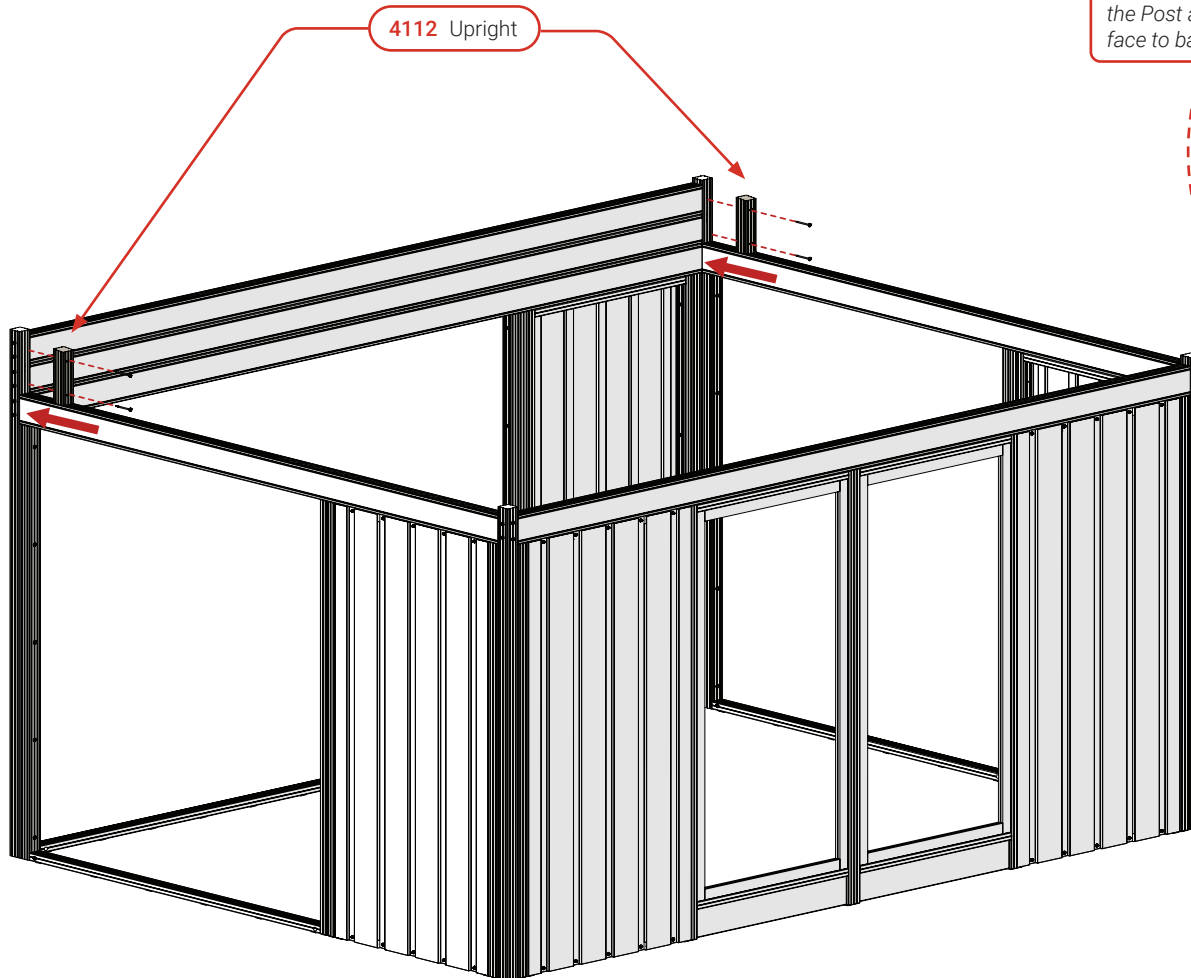
4112 Upright



4X

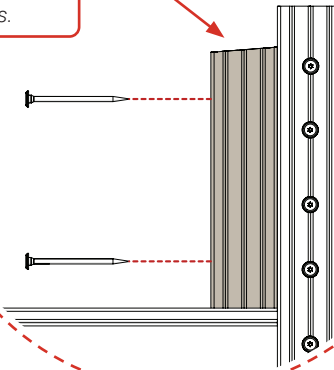


4" X 5/16" RSS (T30 TORX)

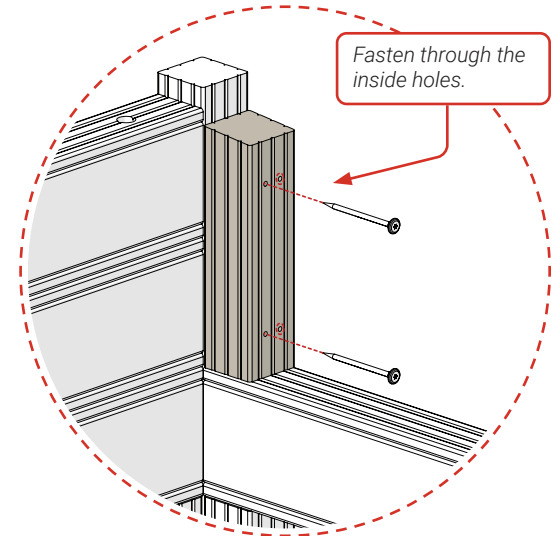


Side view

Align the longest face to the Post and the shortest face to backwards.



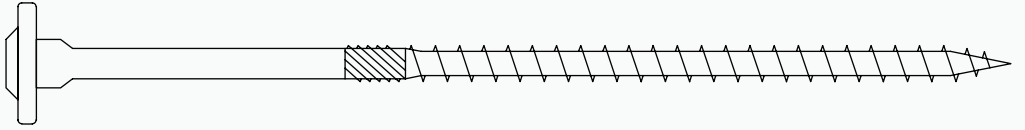
Fasten through the inside holes.



Step 21

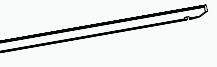
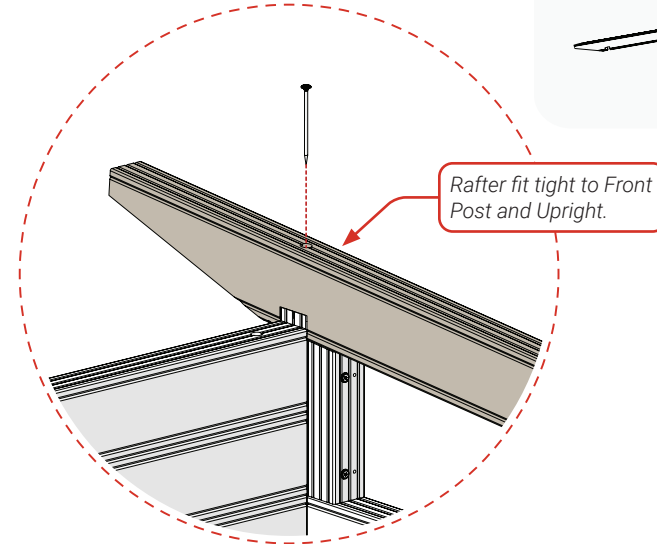
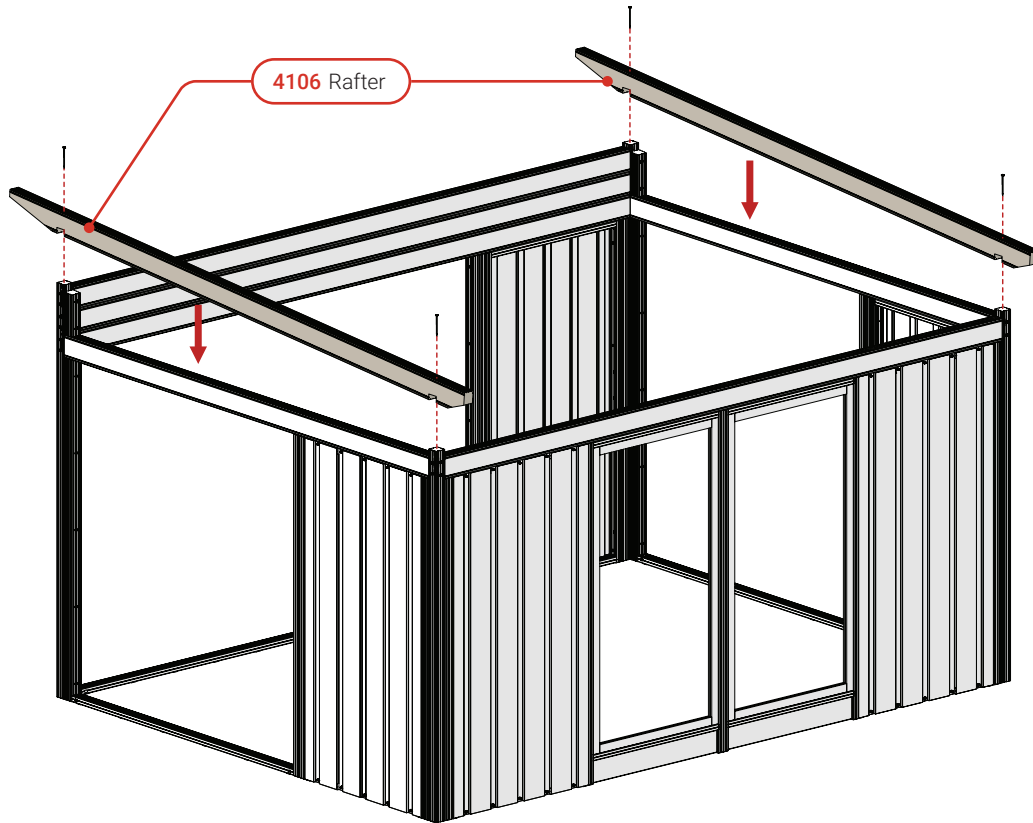
1) Fit Rafters (DC 4106) and fasten to the Front and Back Posts.
The Rafter notches must fit to the Posts.

W

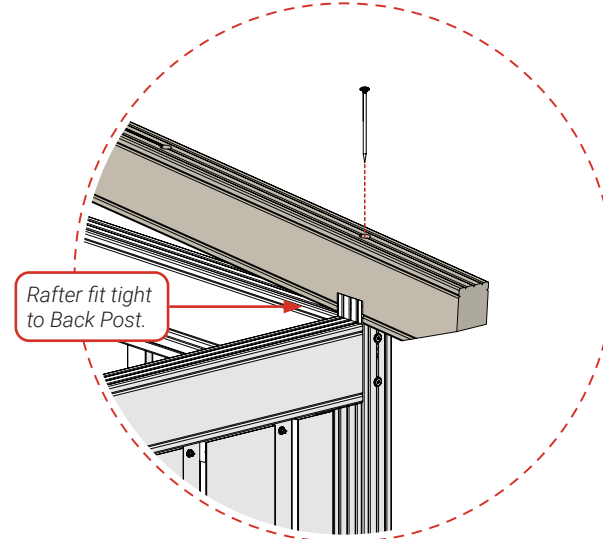


4X

5-1/8" X 5/16" RSS (T30 TORX)



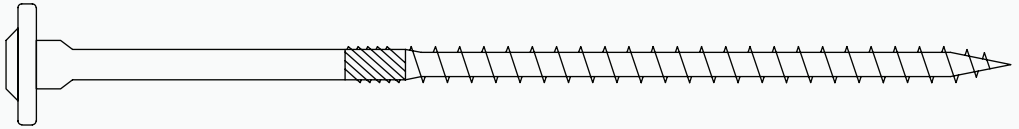
4106 Rafter



Step 22

1) Fit Gussets (DC 4118) and fasten to Rafters through the pre-drilled holes, as shown. If necessary, use Rubber Mallet to push the Gussets to the back.

W



4X

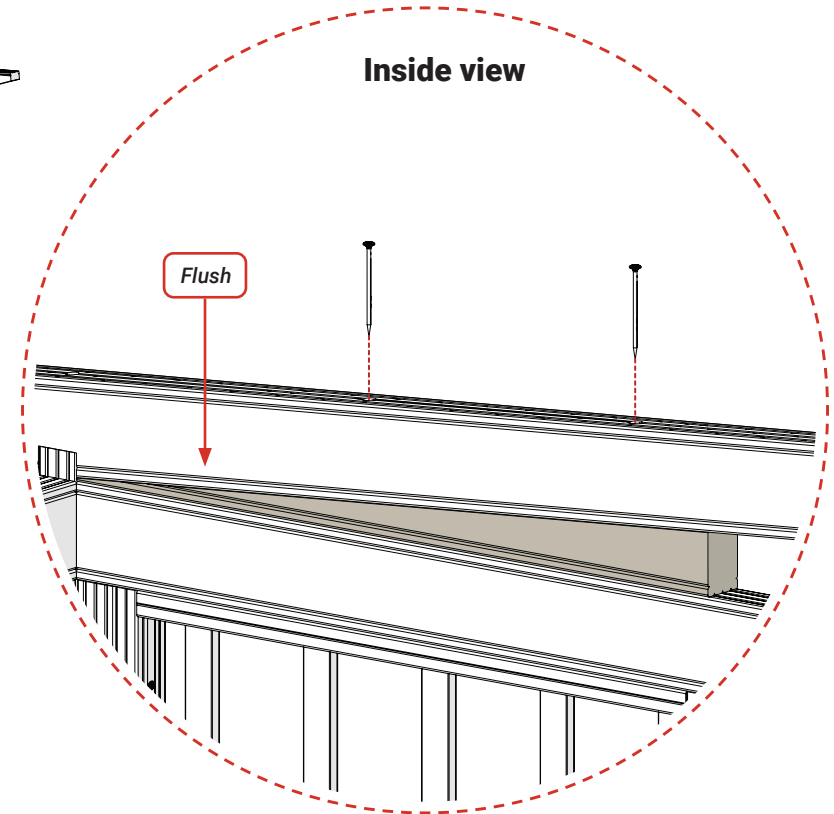
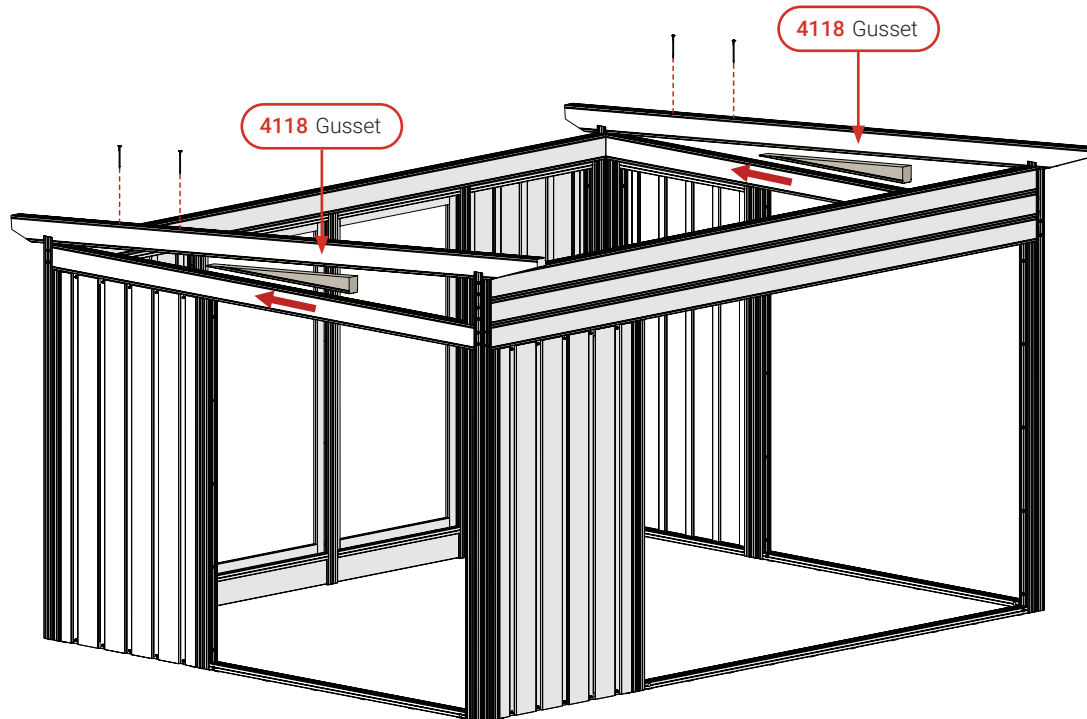
5-1/8" X 5/16" RSS (T30 TORX)



4118 Gusset

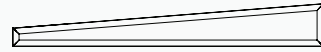


Rubber Mallet

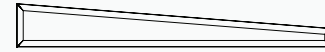


Step 23

1) Fasten Right and Left Sloped Windows (DC 4218 and DC 4219) to Beams, Rafters and Gussets, as shown.



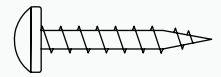
4219 Sloped Window (Left)



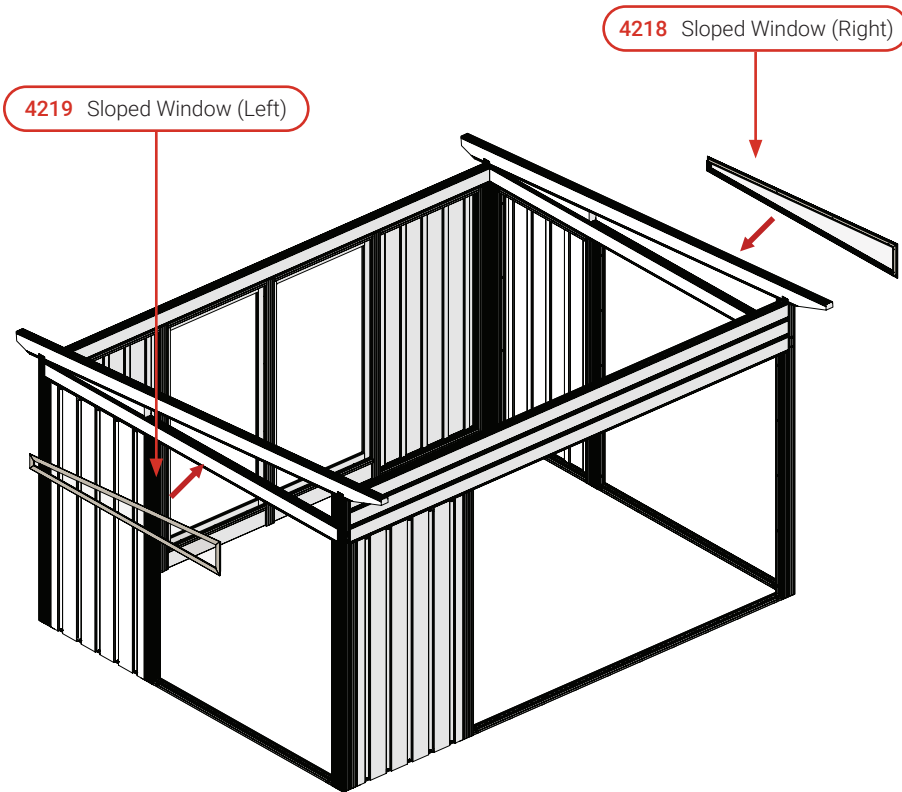
4218 Sloped Window (Right)



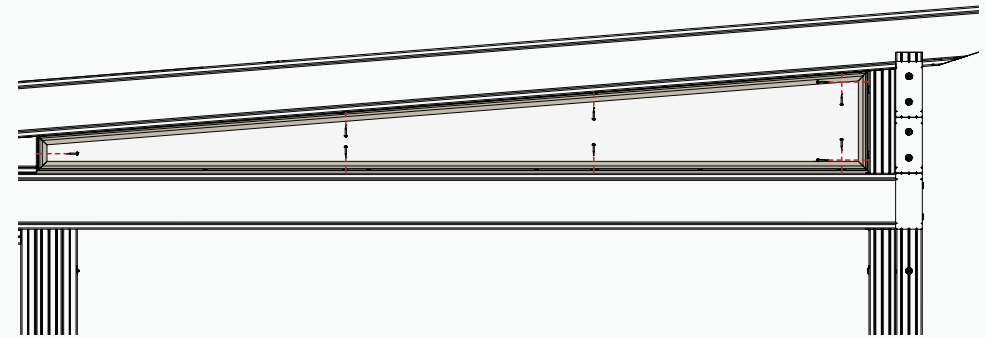
18X



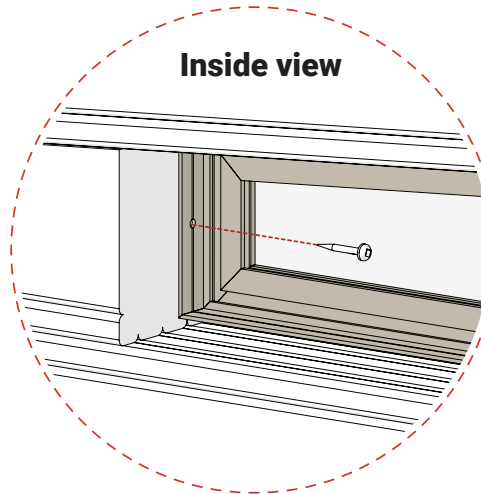
1" #8 PAN HEAD
(#2 ROBERTSON)



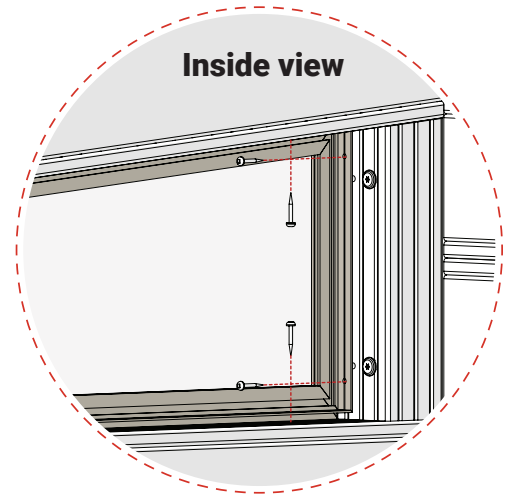
Side view



Inside view



Inside view



Step 24

1) Fit the Back Fillers (DC 4114 and DC 4113) and fasten to Upper Beam. *The tab side of each Filler must be fit together in the middle of the structure as shown on Detail View. Use the Torx T30 6" Bit to reach full depth.*



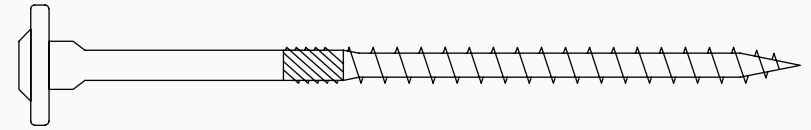
4114
Back Filler (Mid)



4113
Back Filler (End)



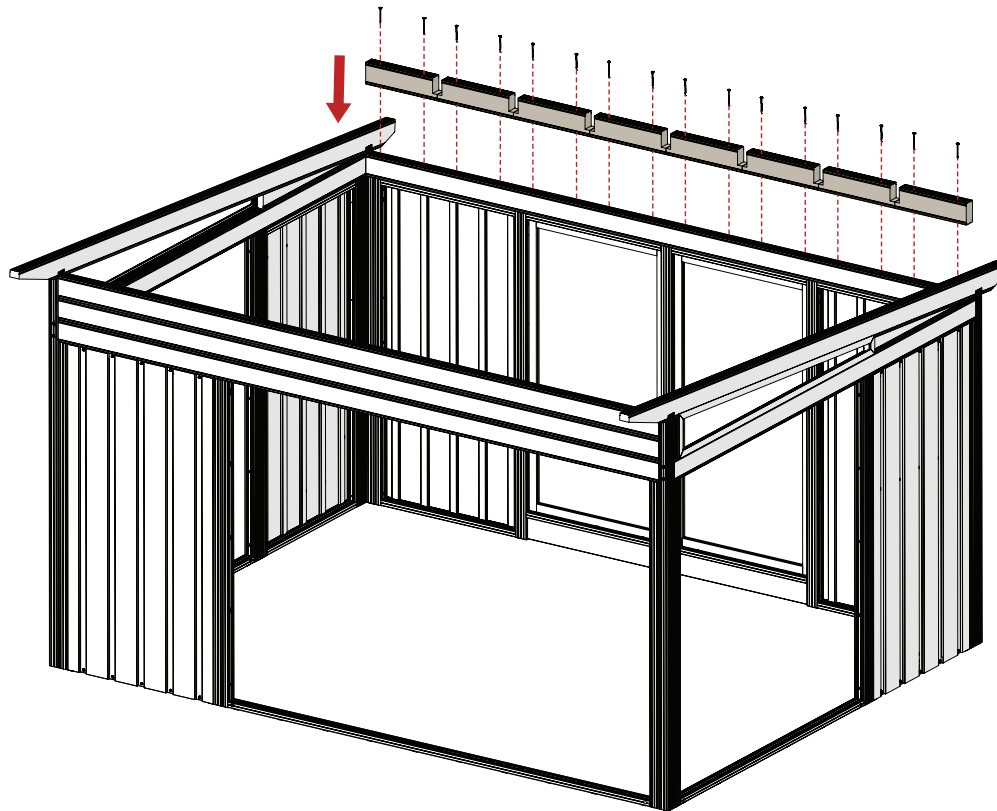
16X



4" X 5/16" RSS (T30 TORX)



Torx T30 Bit 6"

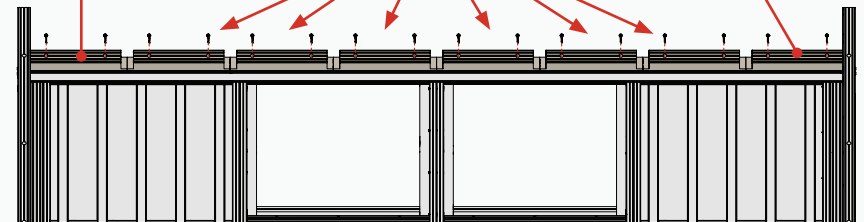


Front view from inside

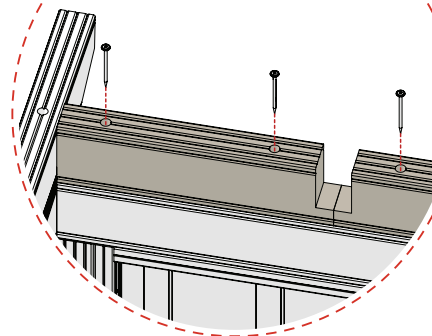
4113 Back Filler (End)

4114 Back Filler (Mid)

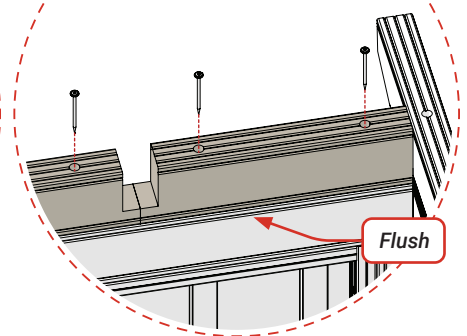
4113 Back Filler (End)



Inside view

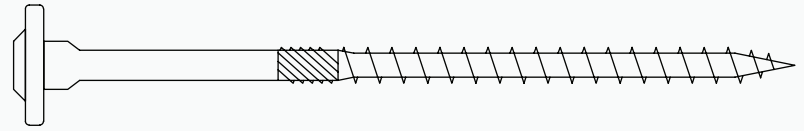


Inside view



Step 25

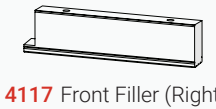
1) Fit Left, Mid and Right Front Fillers (DC 4115, DC 4116 and DC 4117) and fasten to Upper Beam. The tab side of each Filler must be fit together in the middle of the structure as shown on Detail View. Use the Torx T30 6" Bit to reach full depth.



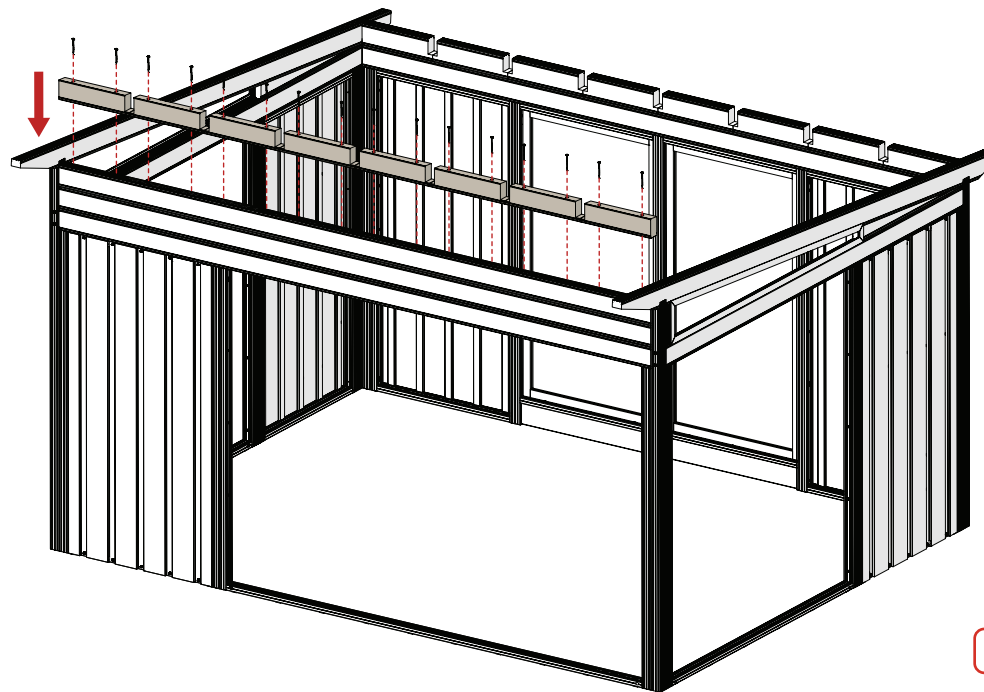
4115 Front Filler (Left)



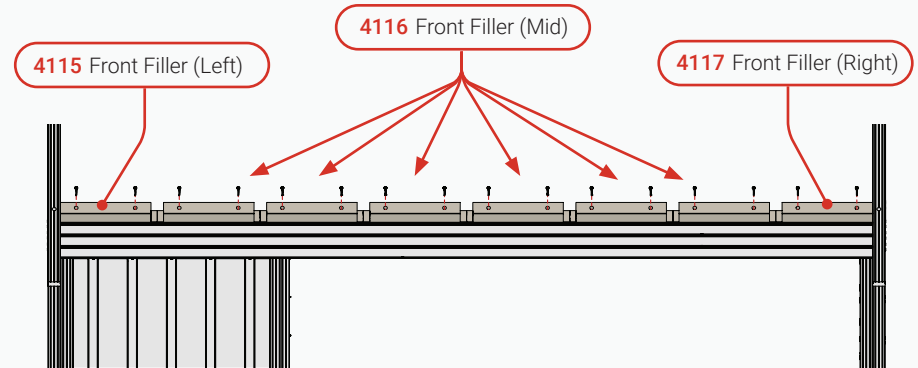
4116 Front Filler (Mid)



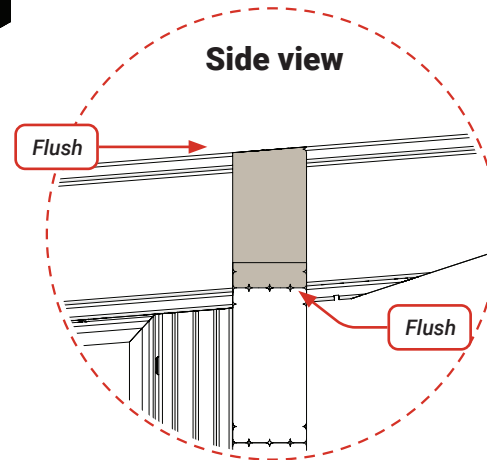
4117 Front Filler (Right)



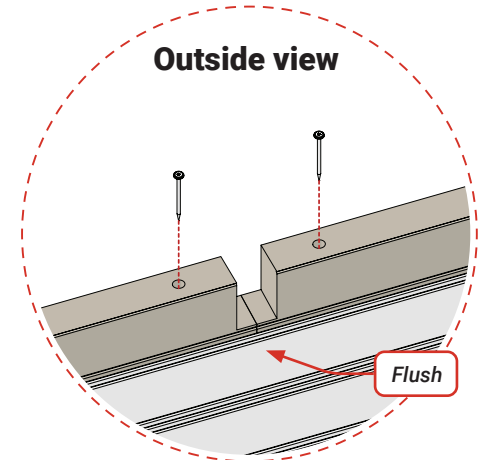
Front view



Side view

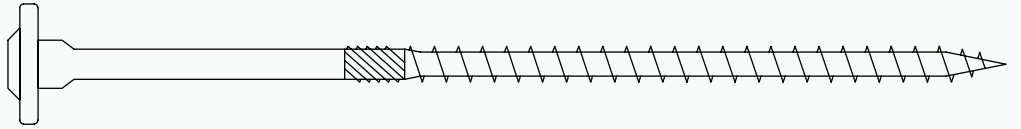


Outside view



Step 26

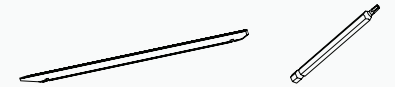
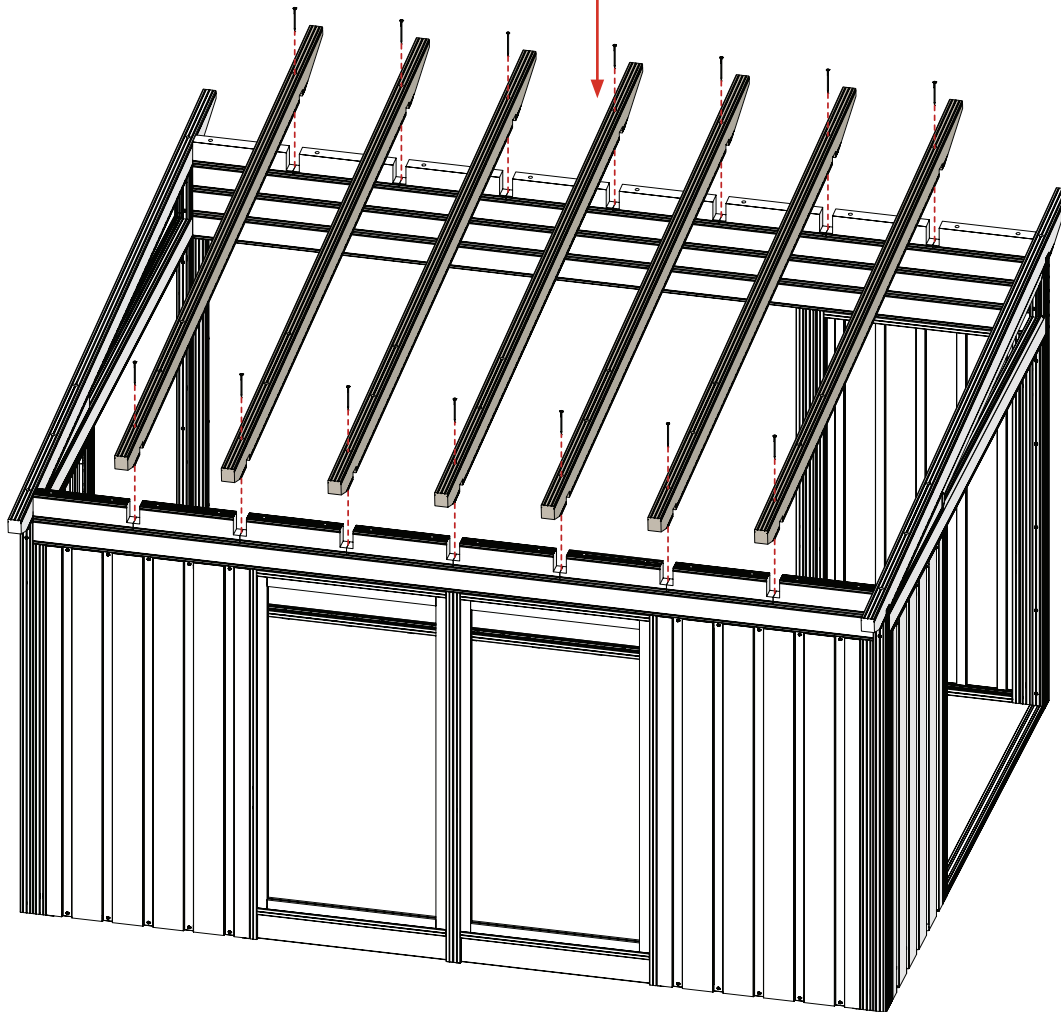
1) Fit Rafters (DC 4106) and fasten to Front and Back Fillers.
Use the Torx T30 Bit 6" to reach full depth.



14X

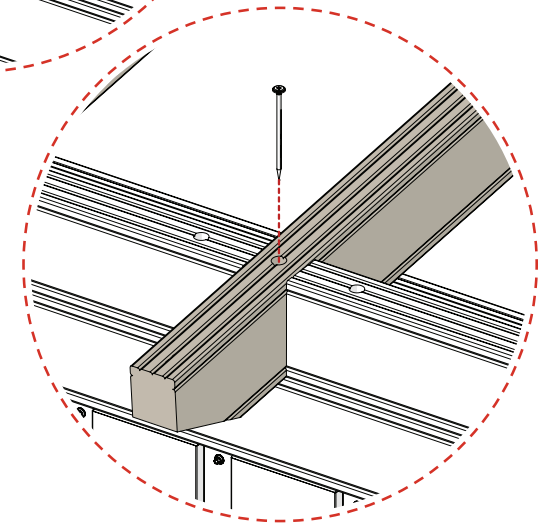
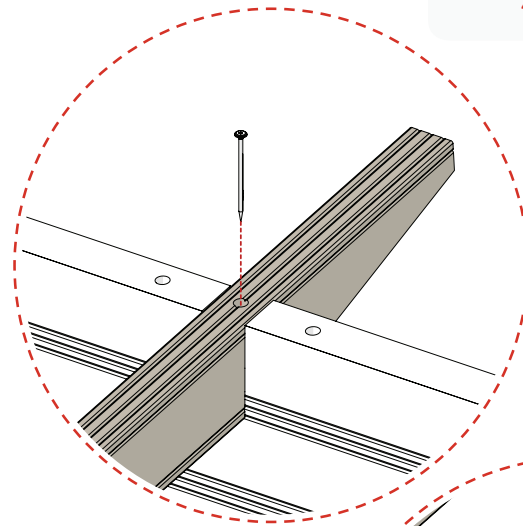
5-1/8" X 5/16" RSS (T30 TORX)

4106 Rafter



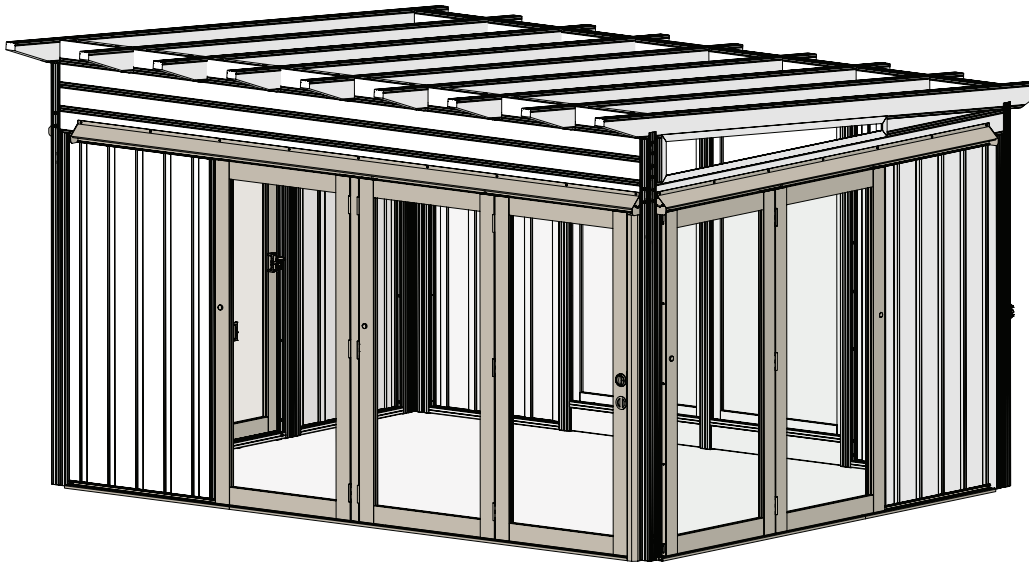
4106 Rafter

Torx T30 Bit 6"



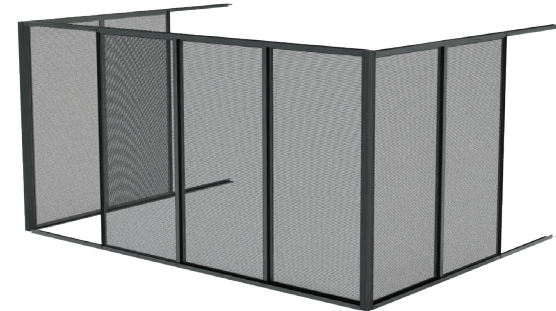
Phase C

C Doors System



Optional Sliding Screen Doors

Enhance your VISSCHER fully enclosed structure with our Sliding Screen Door Kits. Embrace the fresh breeze while keeping the bugs out. Crafted with high-quality insect screens that glide effortlessly along an aluminum track, these kits ensure a smooth and seamless open-close experience



If you wish to purchase optional **Sliding Screen Door Kit**, please contact your **local Visscher dealer**.

Step 27

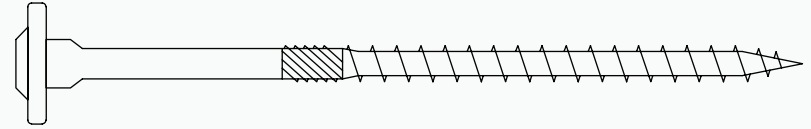
- 1) Fit strike Post (DC 4006) to Front Right Post Assembly. Strike Post to sit tight to floor. Follow the critical dimension on the diagram below before fastening.
- 2) Use pre-drilled pilot holes to set the locations of the fasteners.



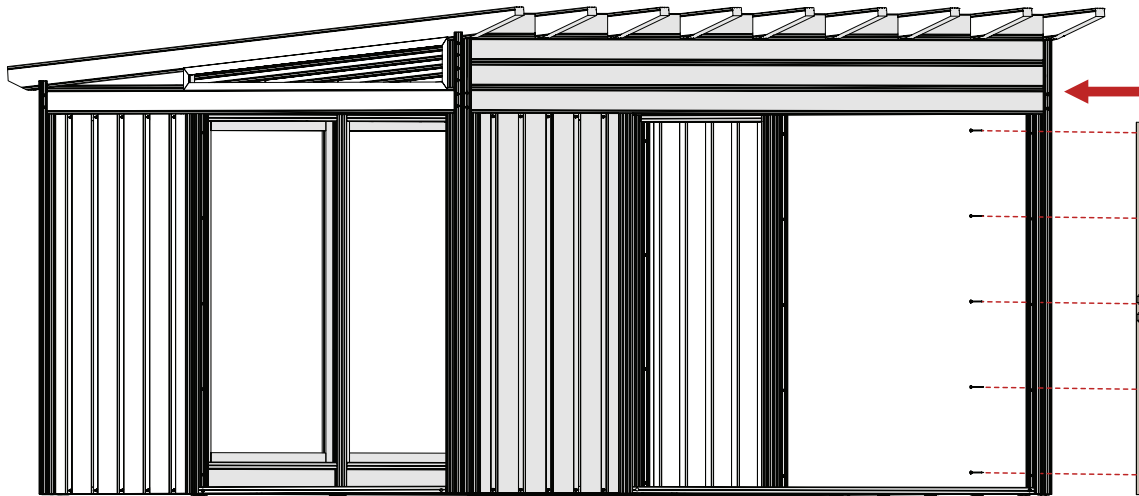
4006 Strike Post



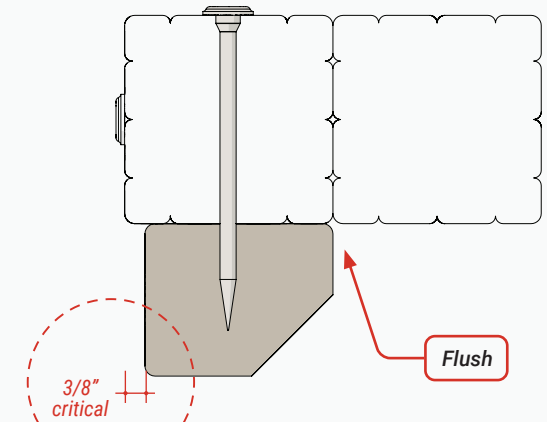
5X



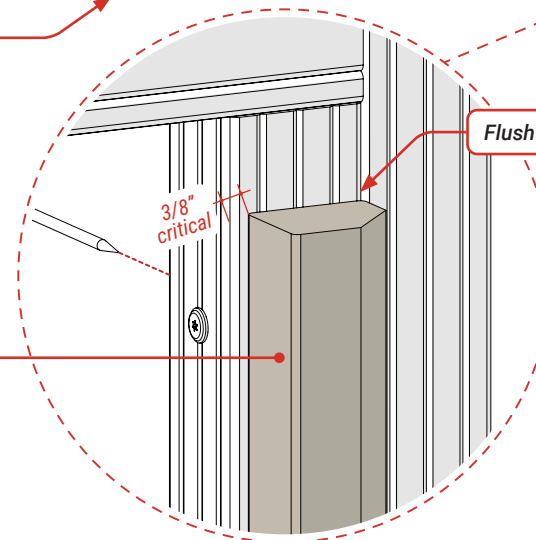
4" X 5/16" RSS (T30 TORX)



Top view



Tight to floor



4006 Strike Post

Step 28

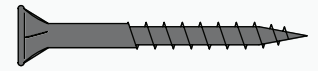
- 1) Align the Strike Plate (DC 2577) so the Strike and Deadbolt both align with the holes.
- 2) Fasten Strike Plate to the Strike Post.



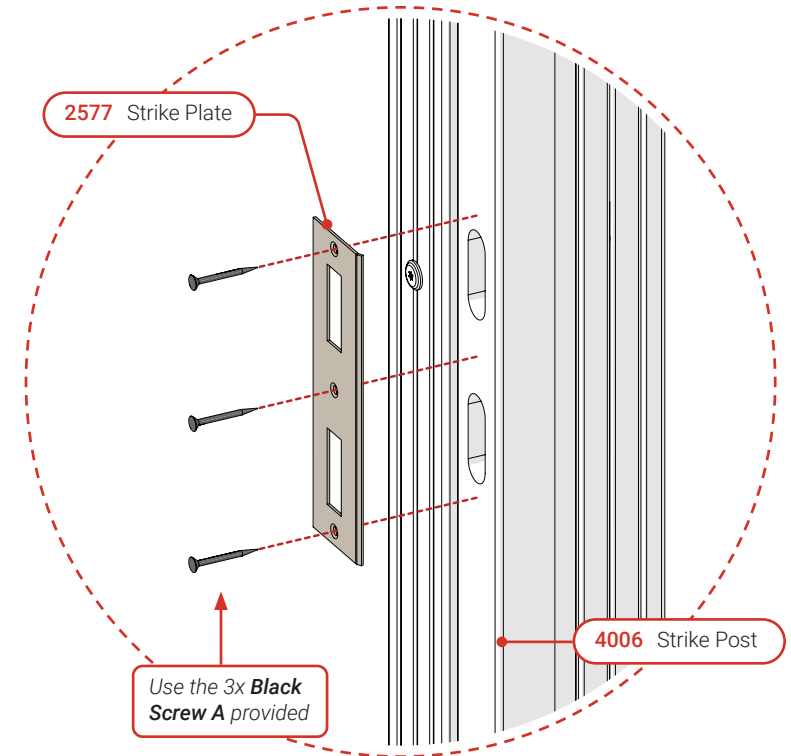
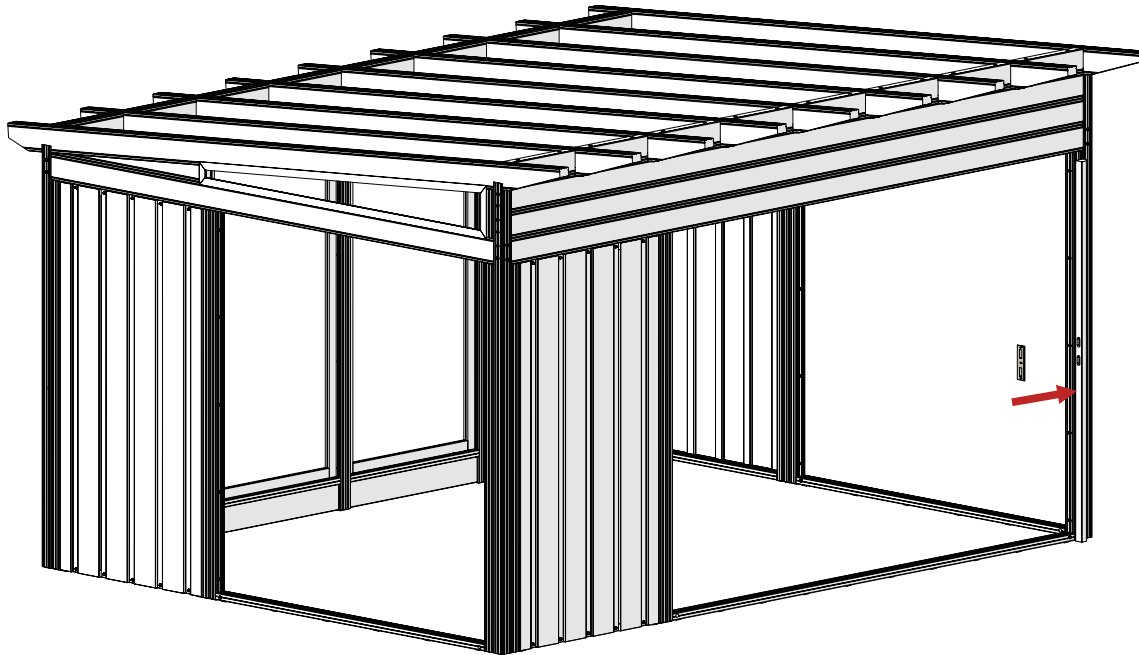
2577 Strike Plate



3X



1 1/2" #8 FLAT HEAD - BL
(#2 ROBERTSON)

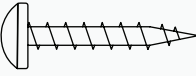


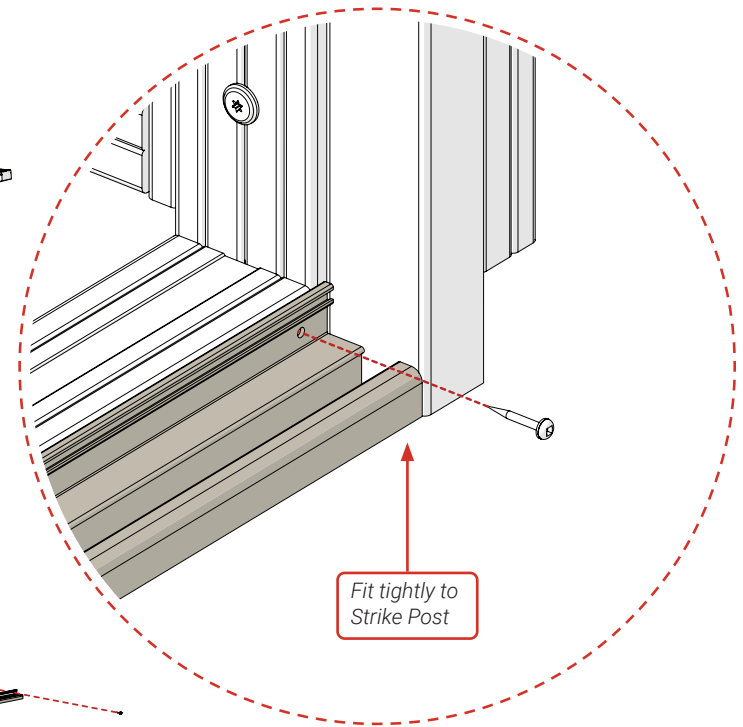
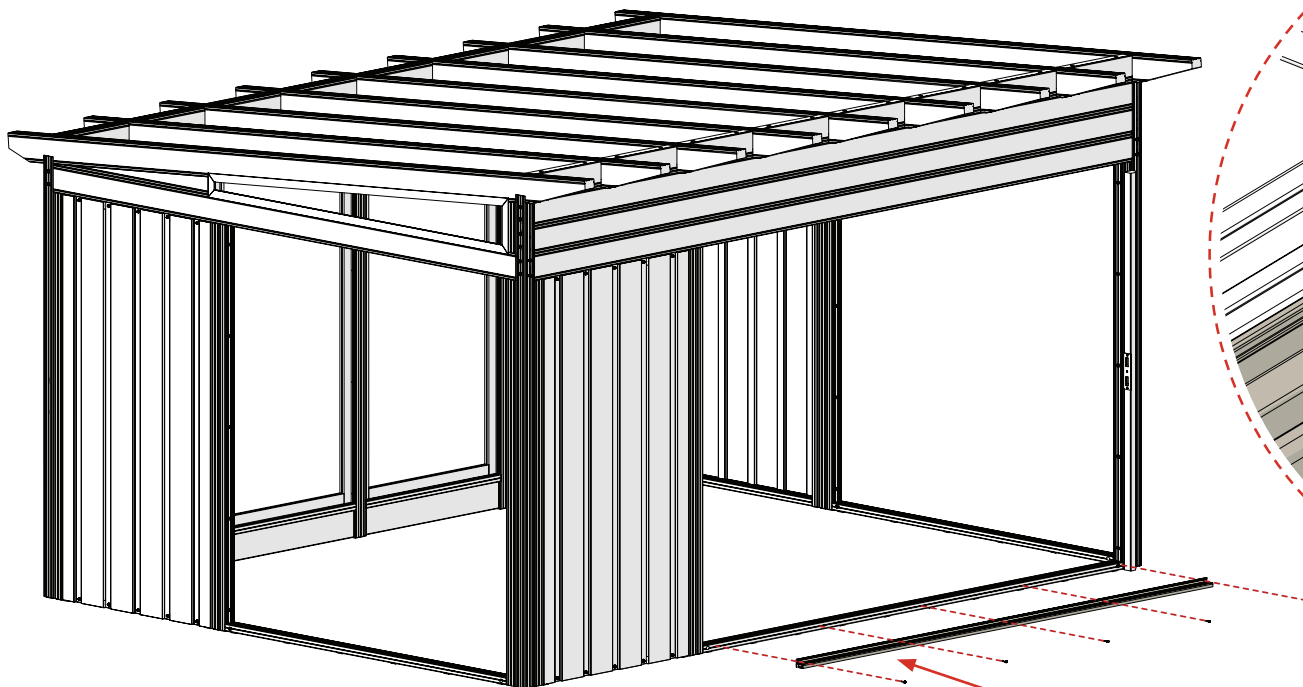
Step 29

- 1) Fit the Three-Door Bottom Track (DC 2594) to the Threshold and tight to the Strike Post.
- 2) Fasten through the pre-drilled holes.

2594 Three-Door Bottom Track

G
5X

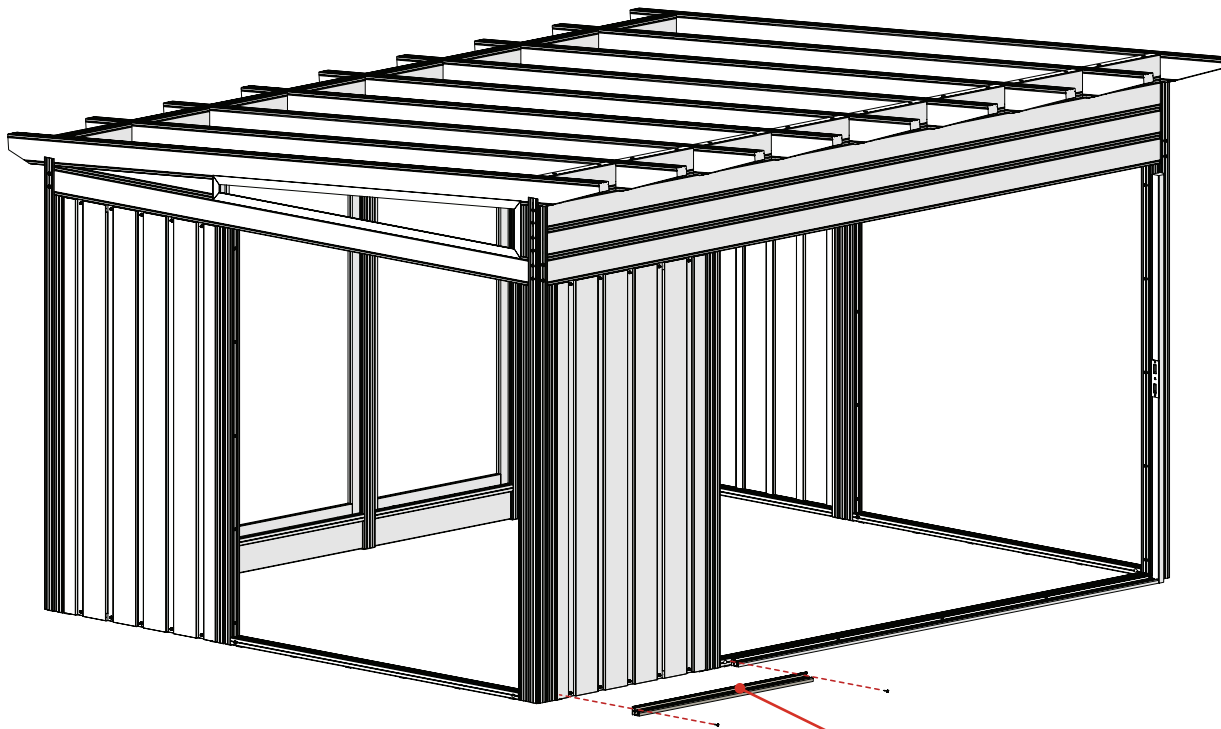

1" #8 PAN HEAD
(#2 ROBERTSON)



2594 Three-Door Bottom Track

Step 30

- 1) Fit the Short Bottom Track (DC 2602) to the Threshold and tight to the adjacent track.
- 2) Push Wall Panel inwards or outwards to ensure track are in-line with each other.



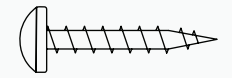
2602 Short Bottom Track



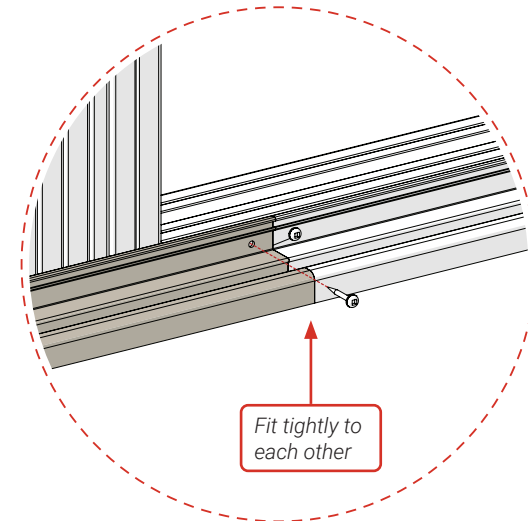
2602 Short Bottom Track



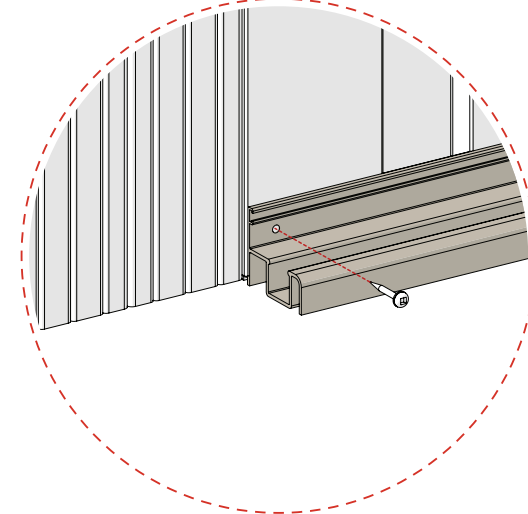
2X



1" #8 PAN HEAD
(#2 ROBERTSON)



Fit tightly to
each other

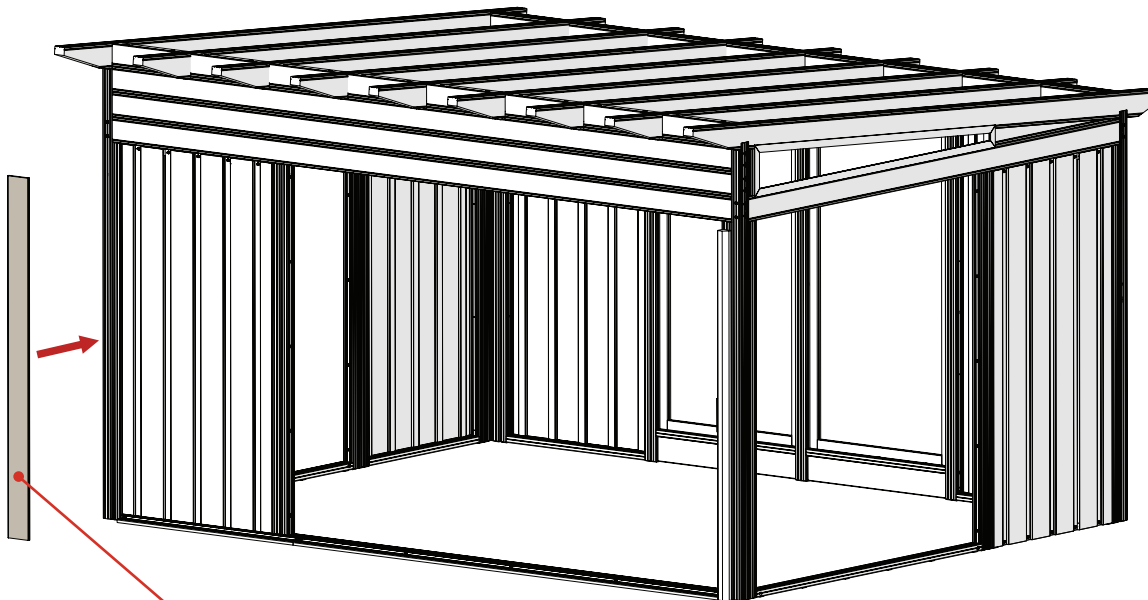


Step 31

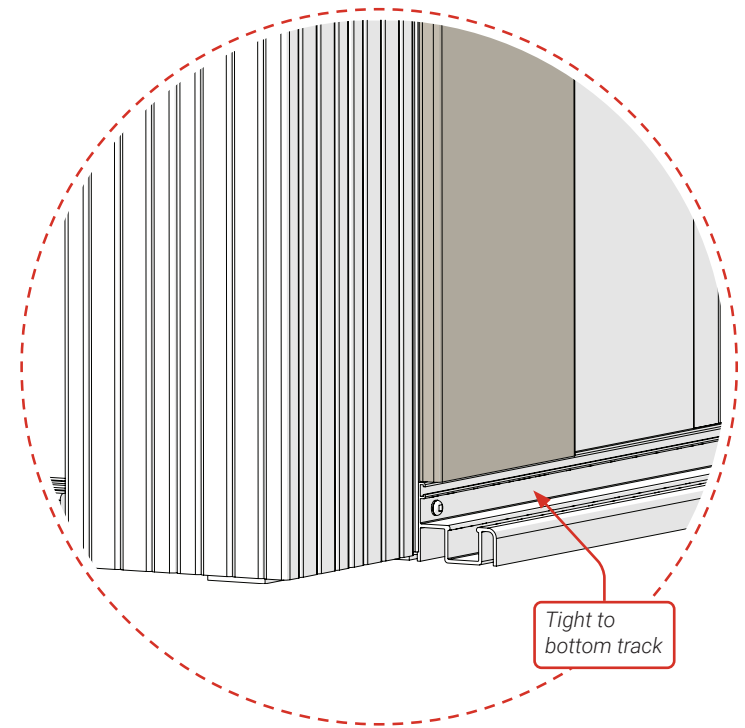
1) Place one Spacer (DC 2603) near the Front Left Post and fit tightly to the Bottom Track.
The Spacer will help the installation of the Top Track in the right position.



2603 Spacer



2603 Spacer



Tight to
bottom track

Step 32

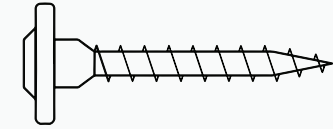
- 1) Fit the Long Top Track (DC 2593) to the Front Beam, resting on the Spacer and Strike Post.
- 2) Align the Top Track to the inside edge of the Front Right Post.



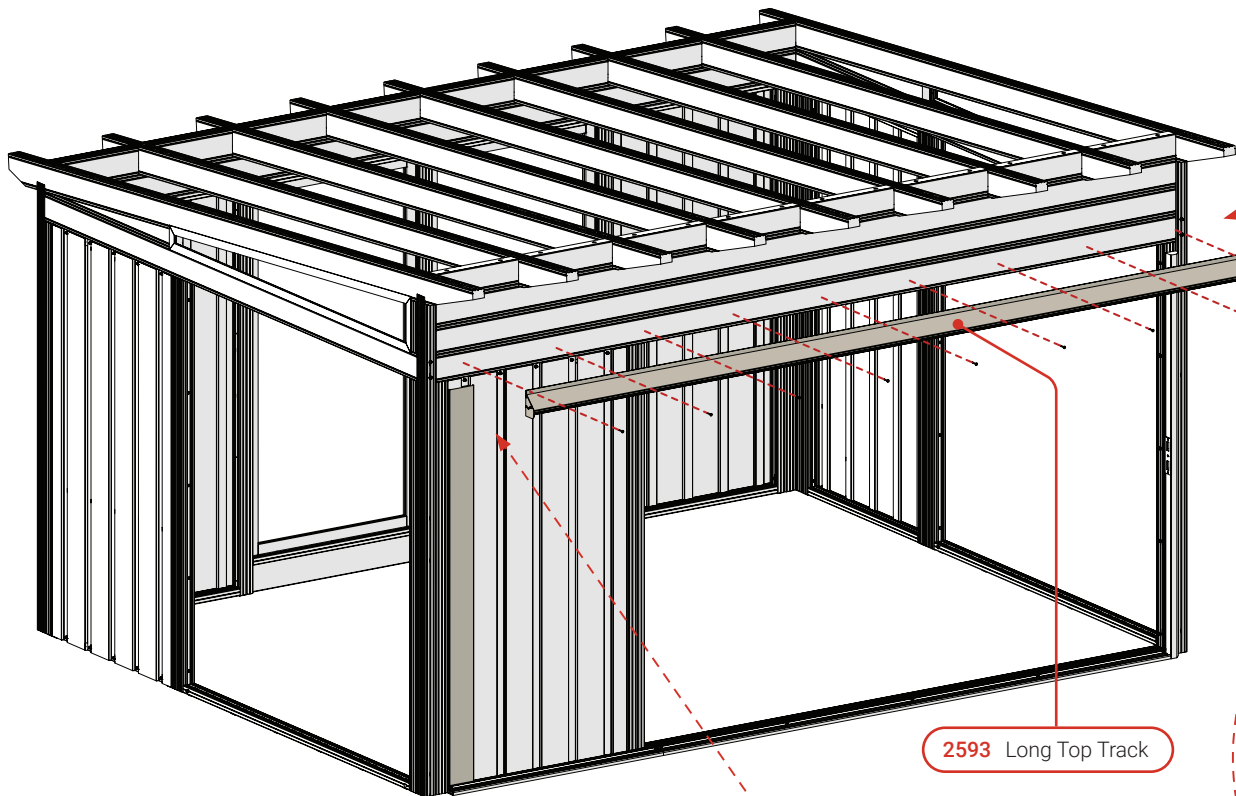
2593 Long Top Track



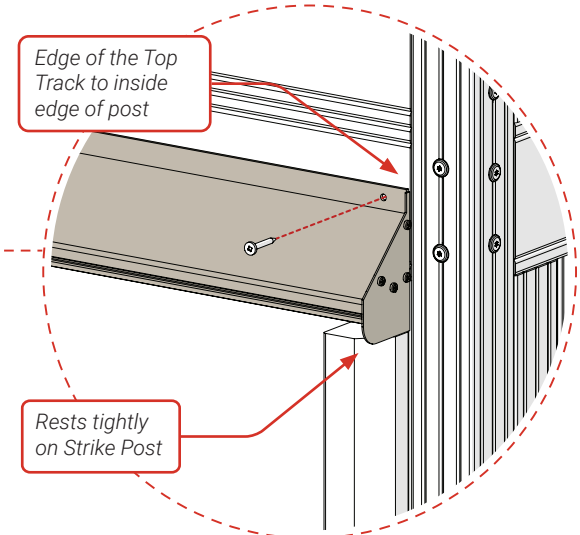
9X



1 1/2" X 1/4" RSS (T25 TORX)

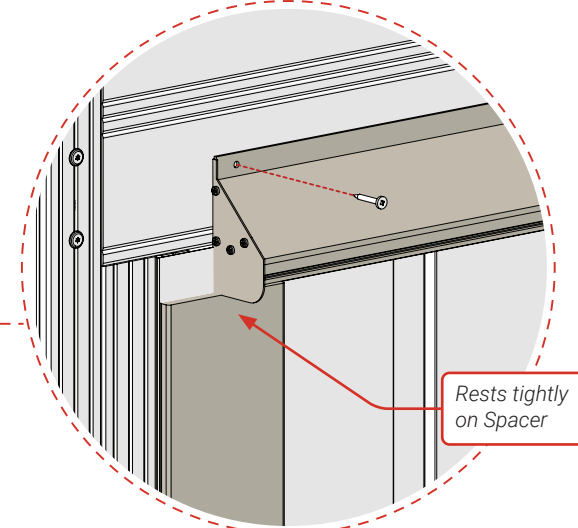


2593 Long Top Track



Edge of the Top Track to inside edge of post

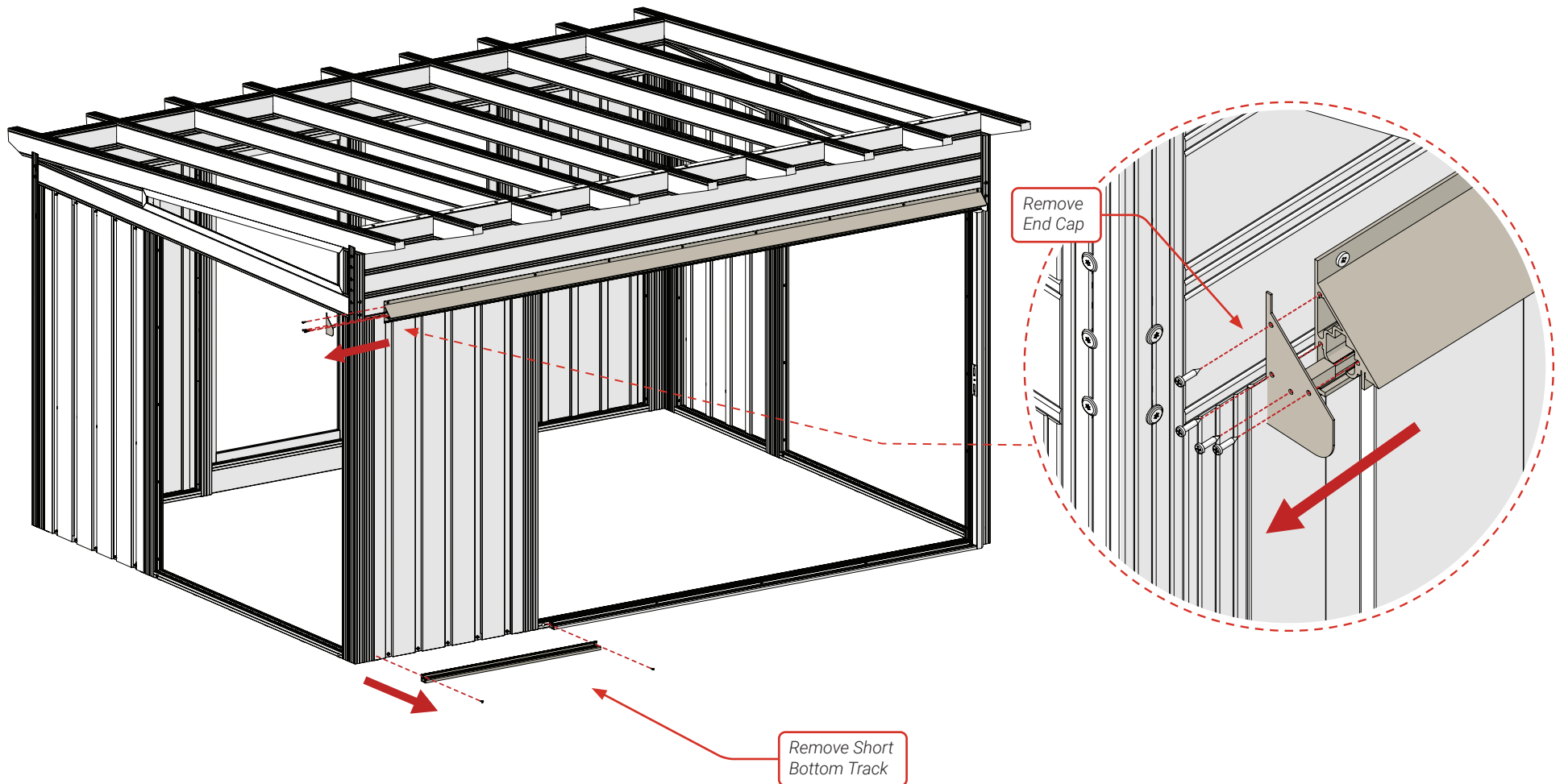
Rests tightly on Strike Post



Rests tightly on Spacer

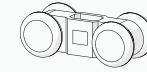
Step 33

1) To facilitate the installation of the Three-Door System, remove the Short Bottom Track and the End Cap of the Top Track.



Step 34

1) Adjust the Pins up of the Three-Door System (DC 2560) and fit the Rollers (DC 2606) to be placed at the same level.

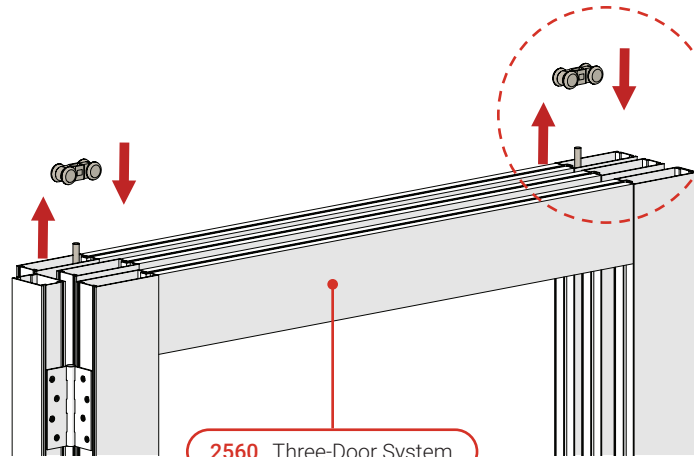


2606 Roller

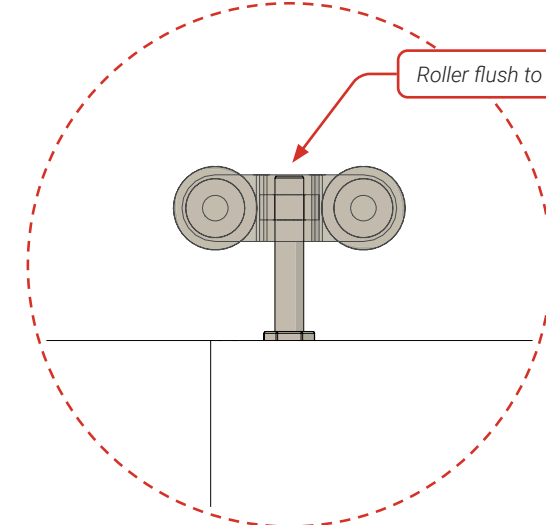
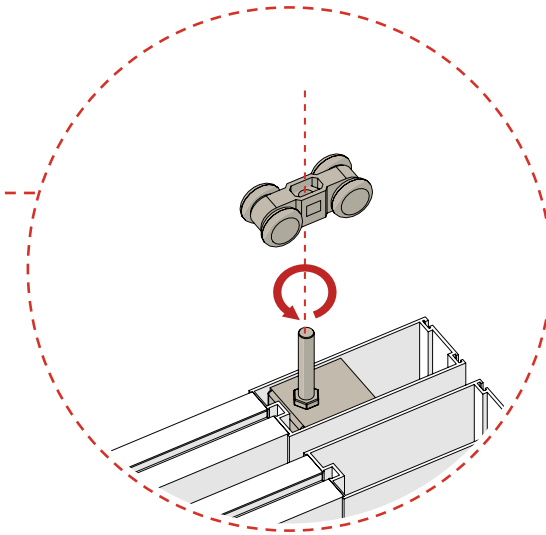
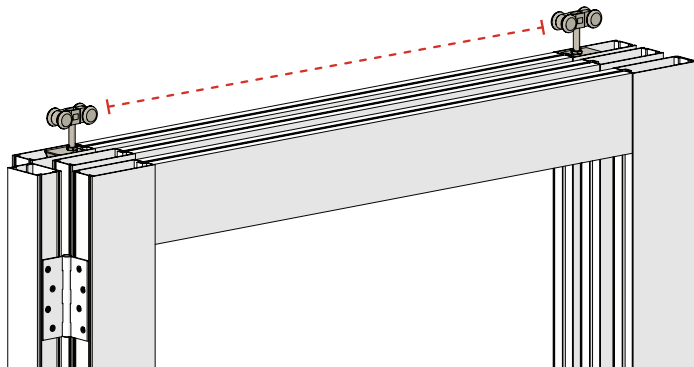


2560 Three-Door System

The Door System is extremely heavy.
Use caution when lifting and maneuvering the product.

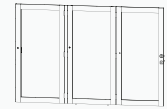


2560 Three-Door System

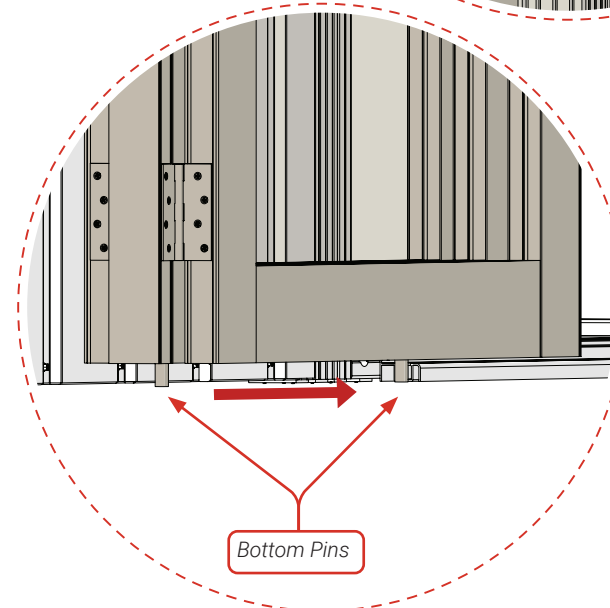
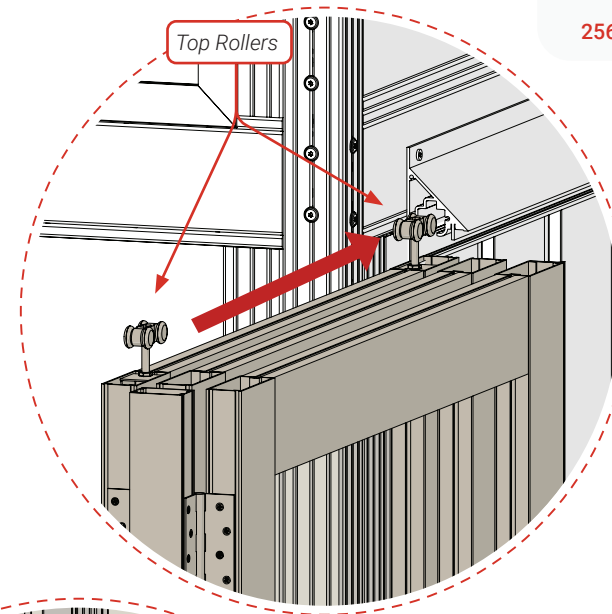
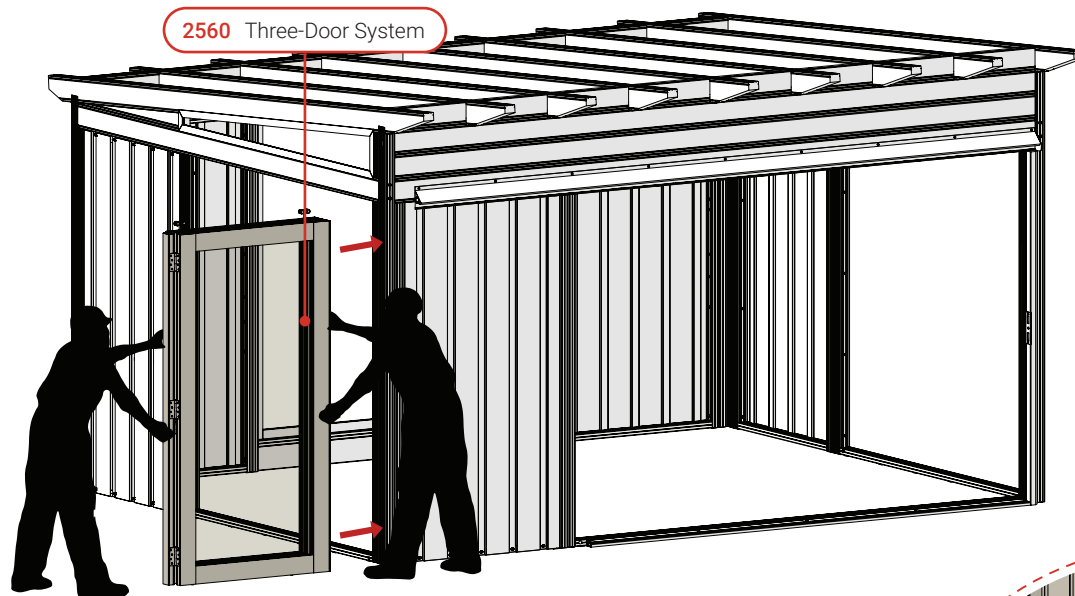


Step 35

- 1) Maneuver the Three-Door System (DC 2560) so the Top Rollers are in-line with the Top Track.
- 2) Carefully lift the Three-Door System up and move the Top Rollers into the Top Track.
- 3) Align the Bottom Pins so they enter the channel in the Bottom Track.



2560 Three-Door System



The Door System is extremely heavy.
Use caution when lifting and maneuvering the product.

- If necessary, reduce the amount of Door Panels handled at one time by removing the screws at the hinges.
- Do not rest Door System on ground that could cause damage to the product.
- It is advised to wear protective gloves when handling the Door System as edges of metal can be sharp.

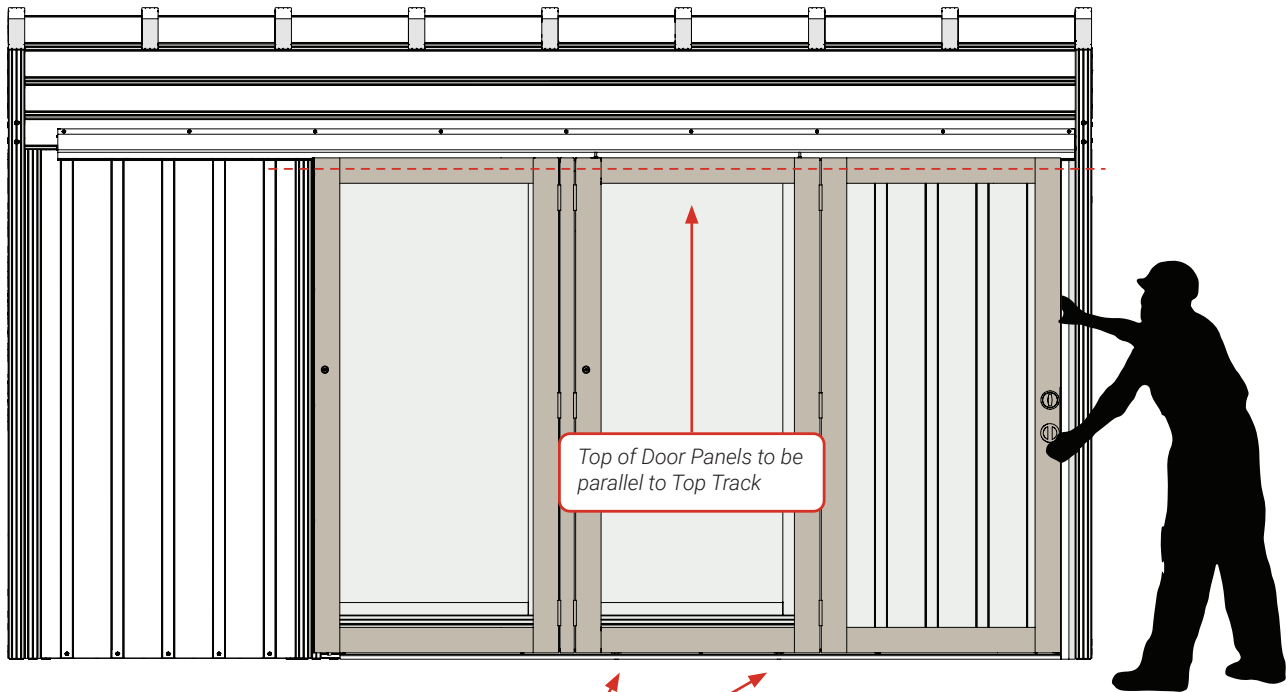
Step 36

- 1) The Top of the Door Panels are to be parallel with the Top Track.
- 2) The Bottom Pins are to be embedded in the Bottom Track along full distance of Track.
- 3) If adjustment is required to meet these criteria, remove Door System from Top Track one roller at a time and spin the top Roller in the direction necessary.

The Door System is extremely heavy.
Use caution when lifting and maneuvering the product.

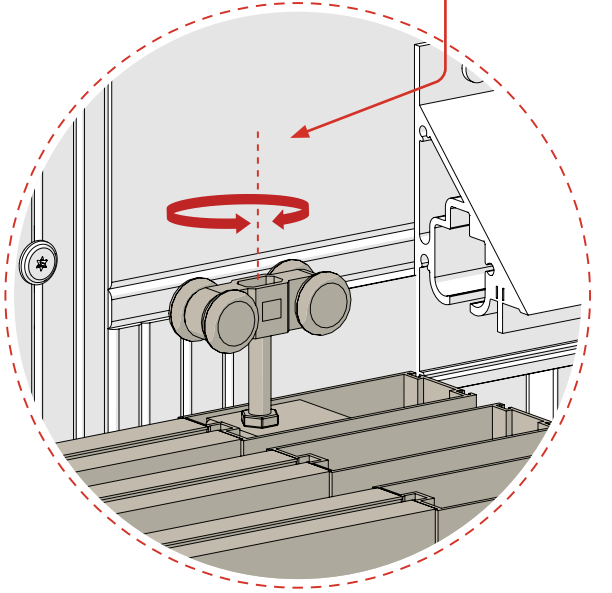
The Door System is prone to rolling out of the track if not monitored, resulting in damage to property or personal injury.

Top Rollers spin upwards and downwards to adjust door height and alignment as necessary.



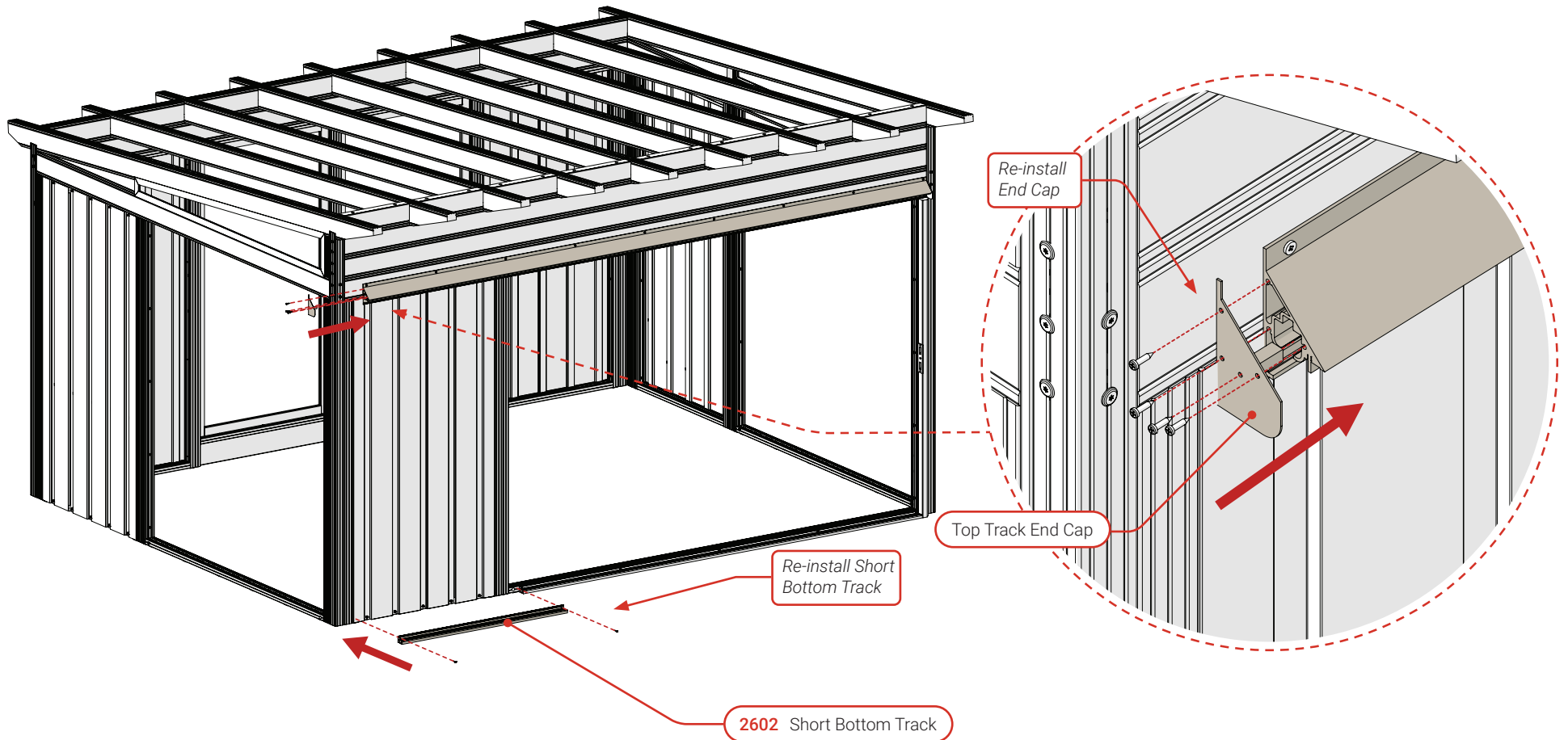
Top of Door Panels to be parallel to Top Track

Bottom Pins to be embedded in Bottom Track along full distance of track.



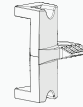
Step 37

1) Re-install the Short Bottom Track and Top Track End Cap.



Step 38

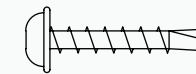
- 1) Measure 40 inches from the floor to set the Handle (DC 2605) to the metal frame of the Door.
Two tabs on the Handle are to fit tightly to inside of metal frame of the Door.
- 2) Fasten the Handle to the metal frame using two self-drilling screws.



2605 Handle

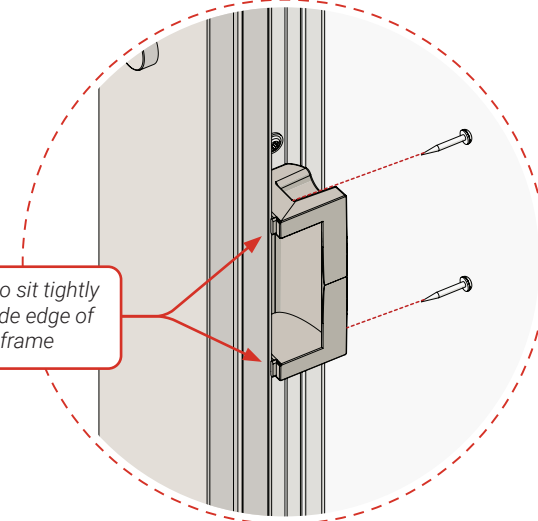
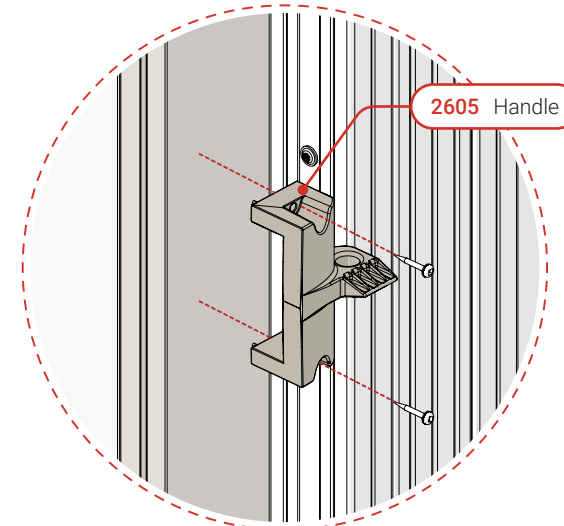
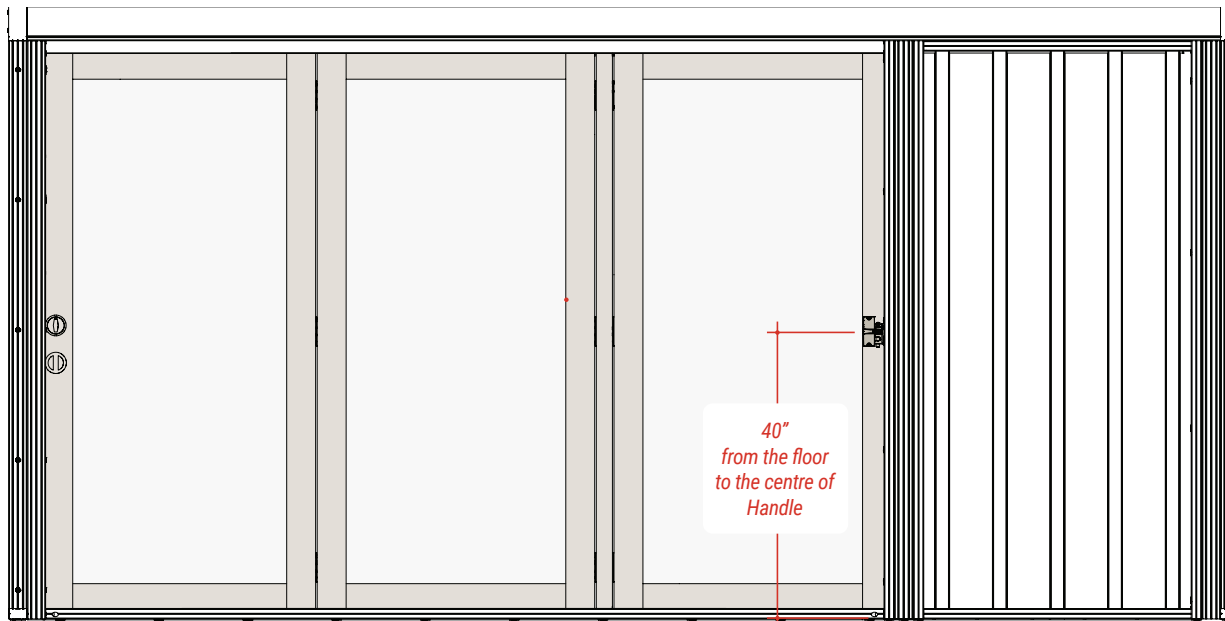


2X



1" #8 PAN HEAD (#2 ROBERTSON)
WITH SELF-DRILLING TIP

Inside view

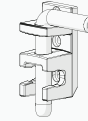


Step 39

- 1) To determine the placement of the Keeper, assemble the Handle, pin and Keeper (DC 2604) together.
- 2) Pull the Handle inwards and tight towards the Narrow Post.
- 3) Mark the edges of the Keeper on the Narrow Post with a Pencil.
- 4) Disassemble and re-align the Keeper to the markings. Fasten to Narrow Post.



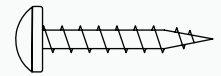
Pencil



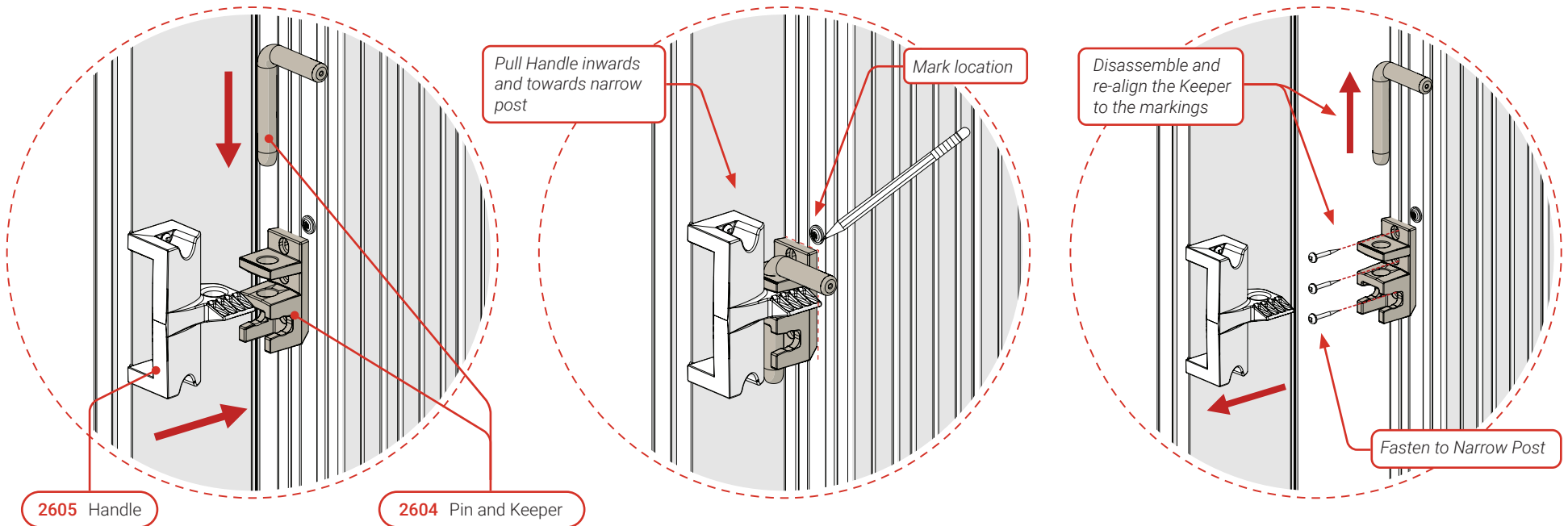
2604 Pin and Keeper



3X



1" #8 PAN HEAD
(#2 ROBERTSON)



Step 40

- 1) Fit the Two-Door Bottom Track (DC 2601) to the threshold, as shown on Top View.
- 2) Fit the Short Bottom Track (DC 2602) to the threshold, Post and tight to the adjacent track.
- 3) Push Wall Panel inwards or outwards to ensure track are in-line with each other.
- 4) Fasten through the pre-drilled holes.



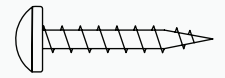
2601
Two-Door Bottom Track



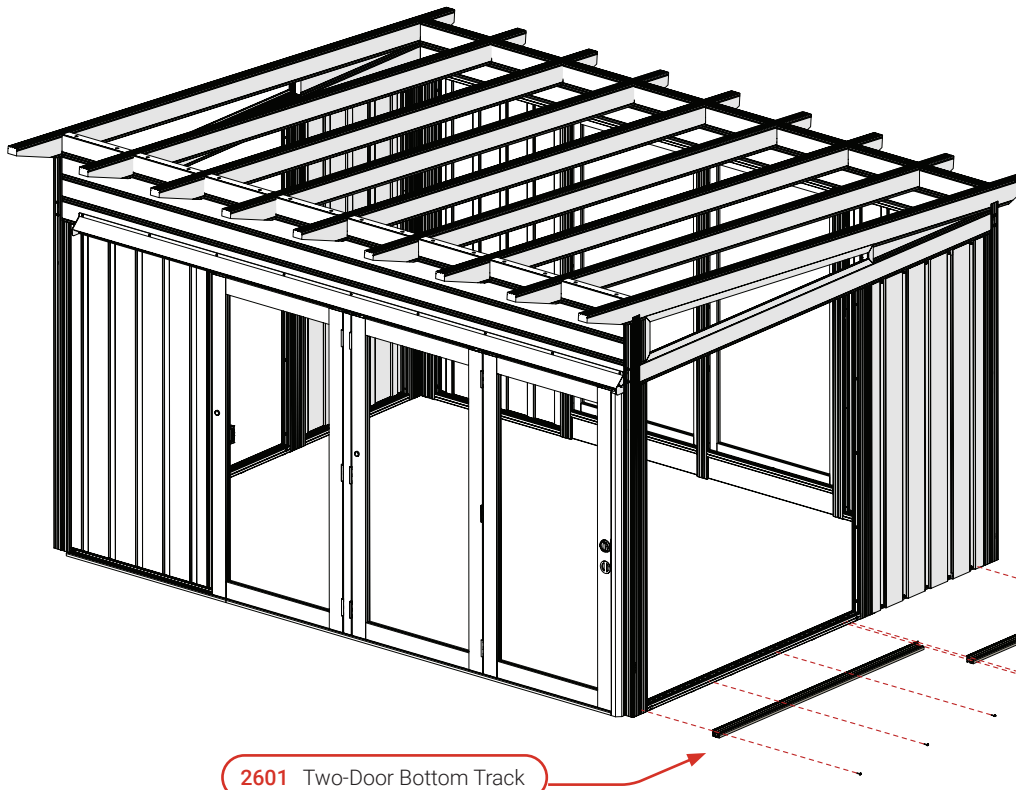
2602
Short Bottom Track



6X



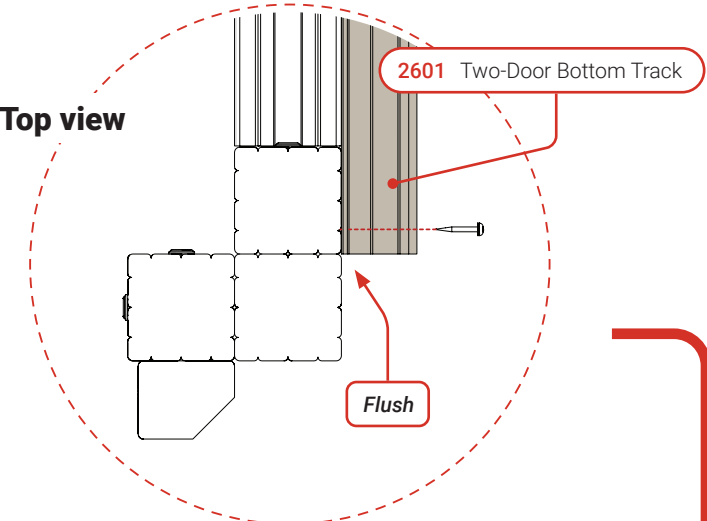
1" #8 PAN HEAD
(#2 ROBERTSON)



2601 Two-Door Bottom Track

2602 Short Bottom Track

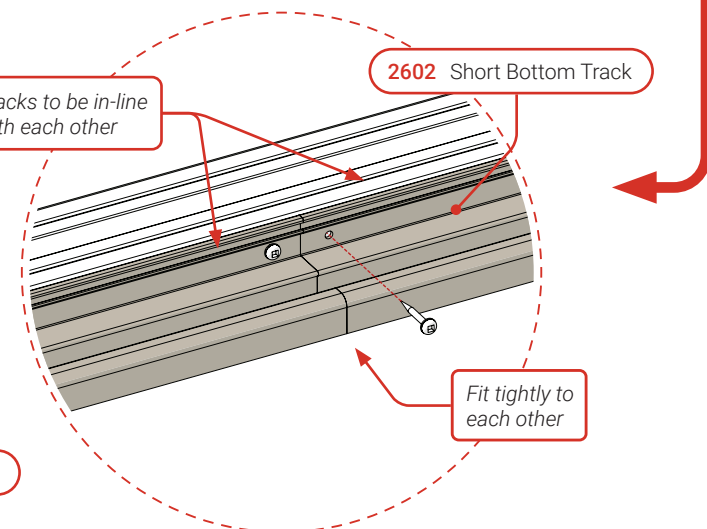
Top view



2601 Two-Door Bottom Track

Flush

Tracks to be in-line
with each other

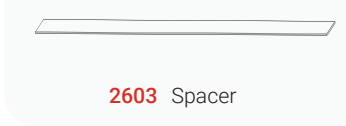
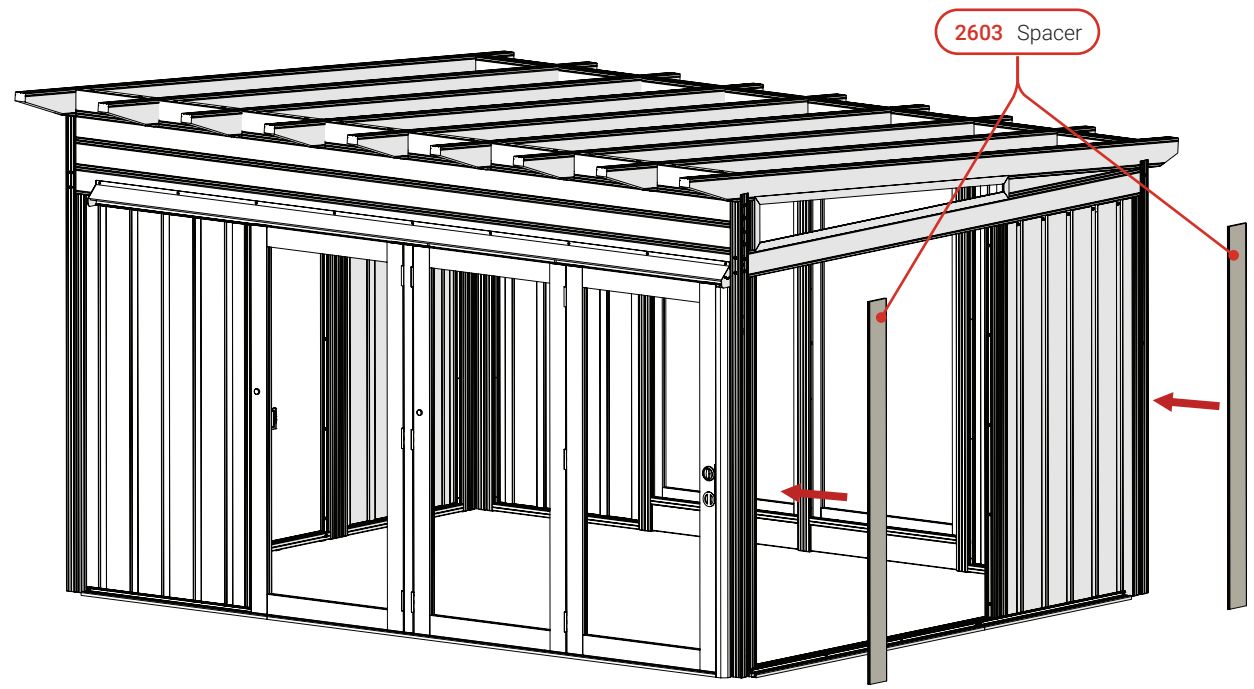


2602 Short Bottom Track

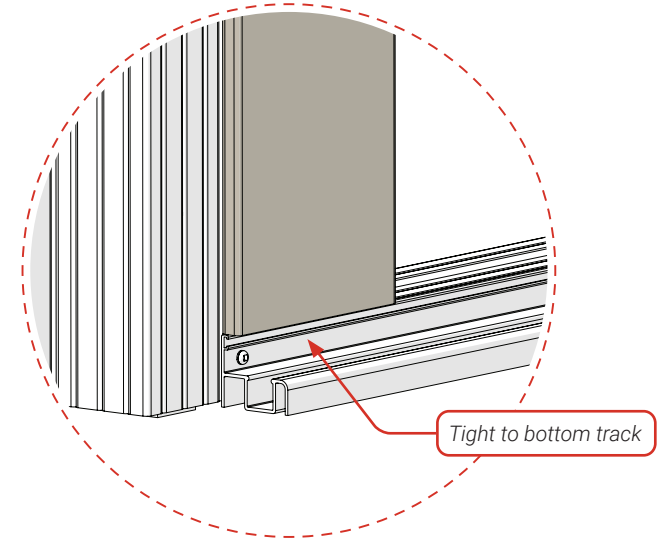
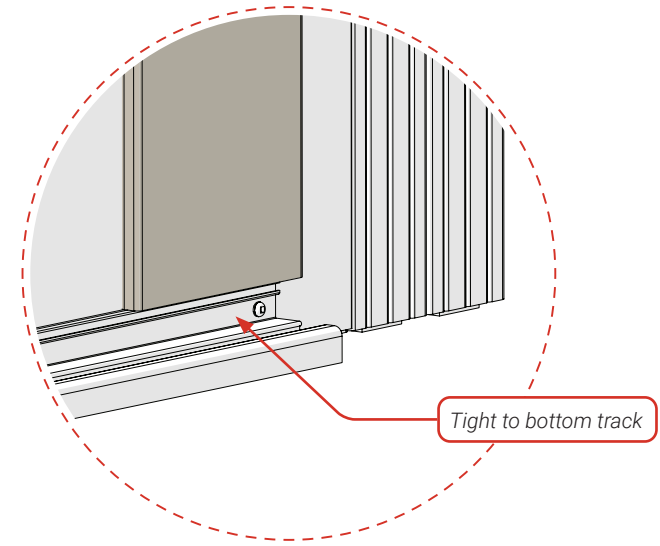
Fit tightly to
each other

Step 41

1) Place two Spacers (DC 2603) and fit tightly to bottom tracks.



2603 Spacer

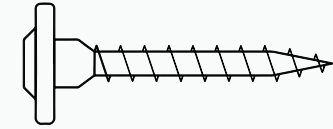


Step 42

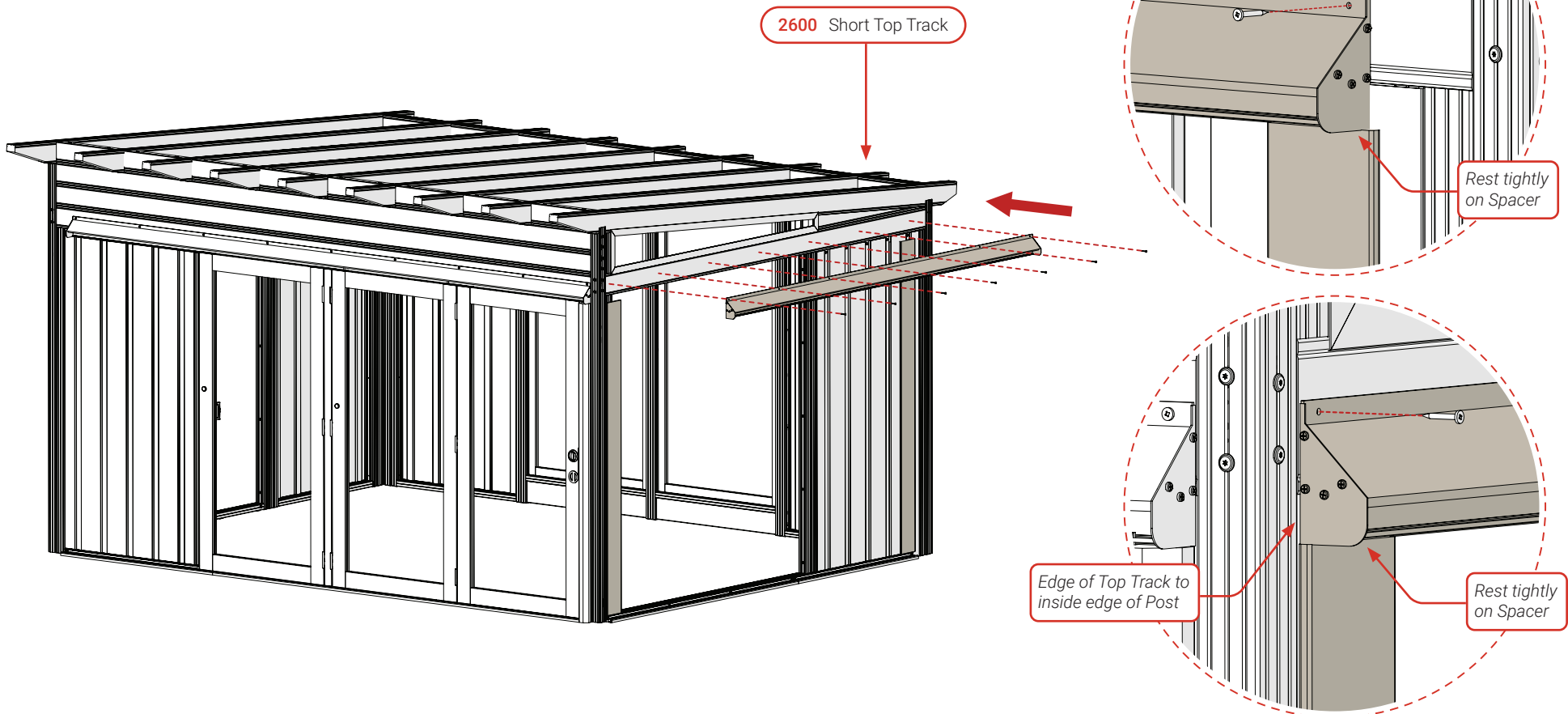
- 1) Fit the Short Top Track (DC 2600) to the Side Beam, resting on both Spacers.
- 2) Align the Short Top Track to the inside edges of the Front Right Post.



2600 Short Top Track

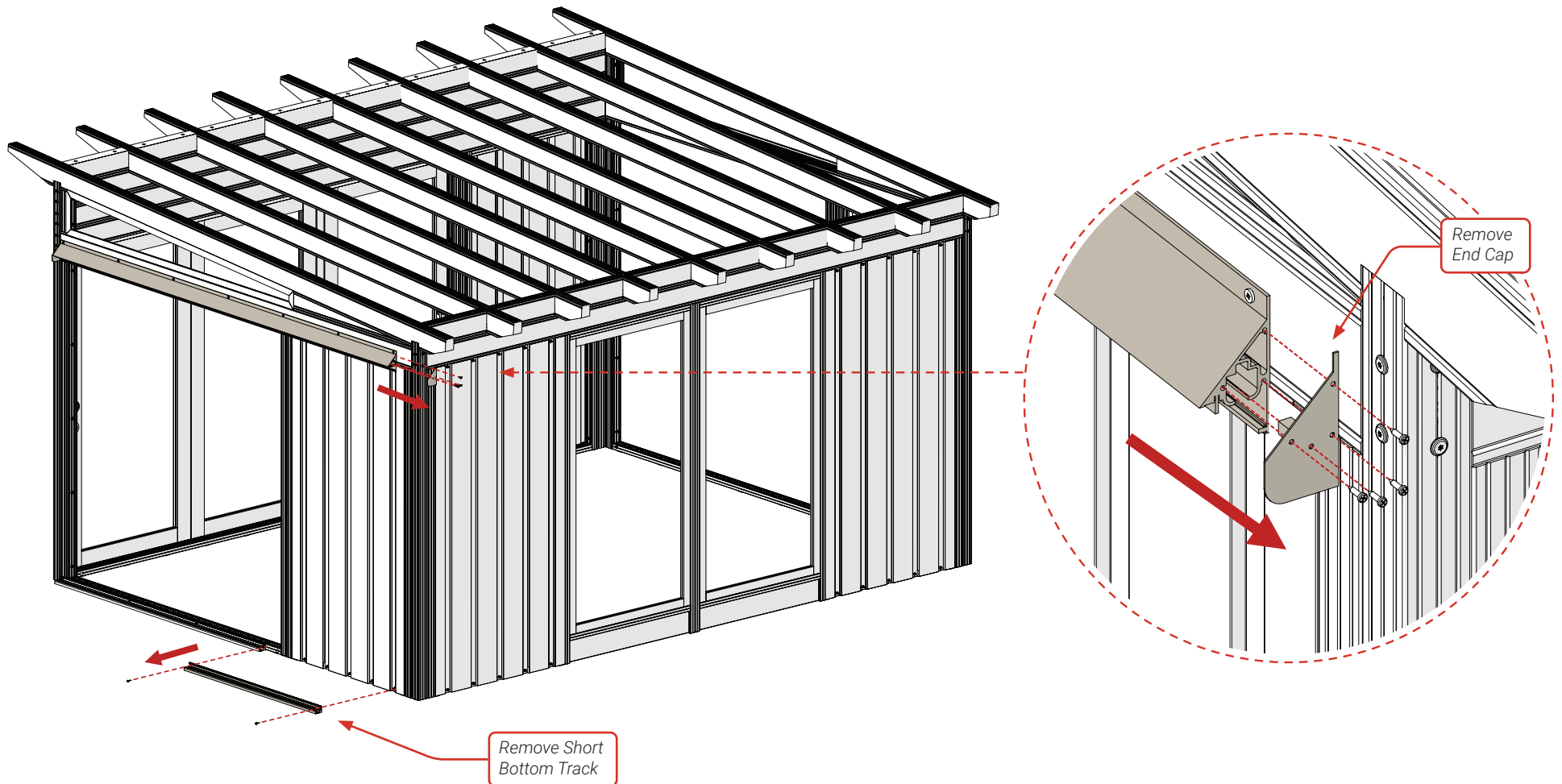


1 1/2" X 1/4" RSS (T25 TORX)



Step 43

1) To facilitate the installation of the Two-Door System, remove the Short Bottom Track and the End Cap of the Top Track.

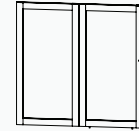


Step 44

1) Adjust the Pins up of the Passive Two-Door System (DC 2753) and fit the Rollers (DC 2606) to be placed at the same level.

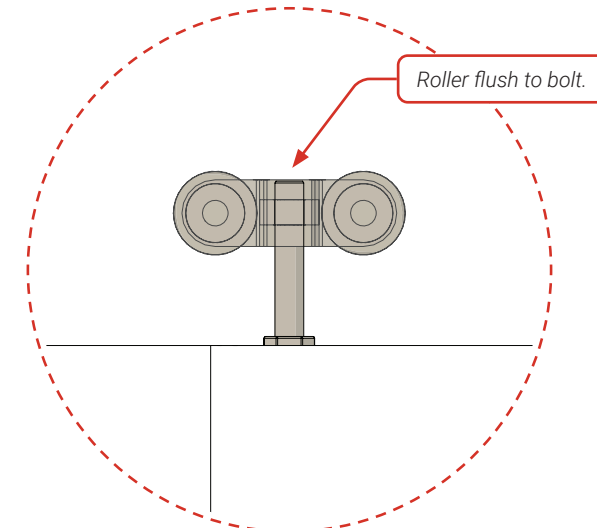
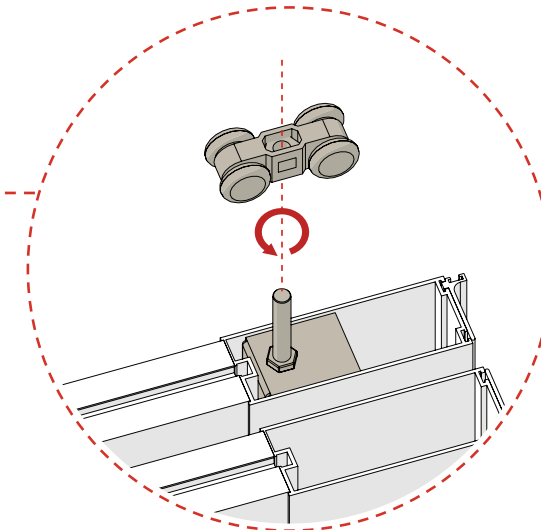
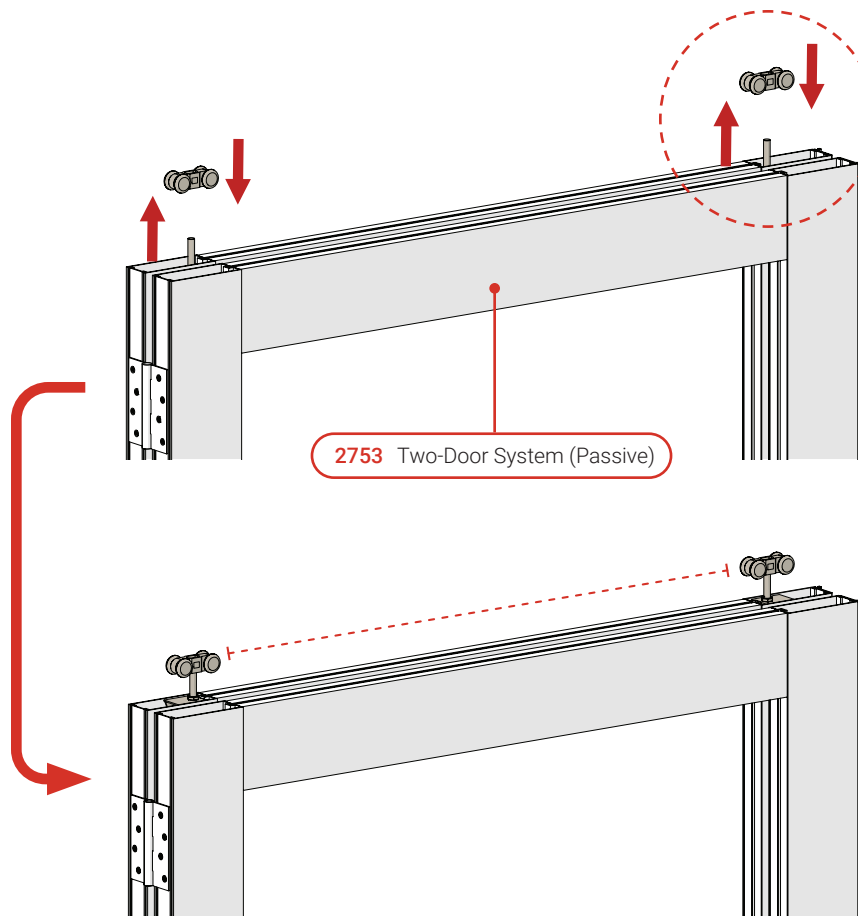


2606 Roller



2753 Two-Door System (Passive)

The Door System is extremely heavy.
Use caution when lifting and maneuvering the product.

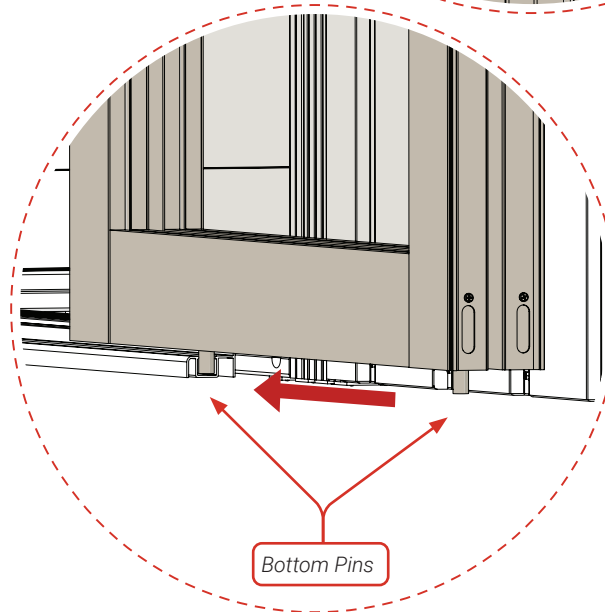
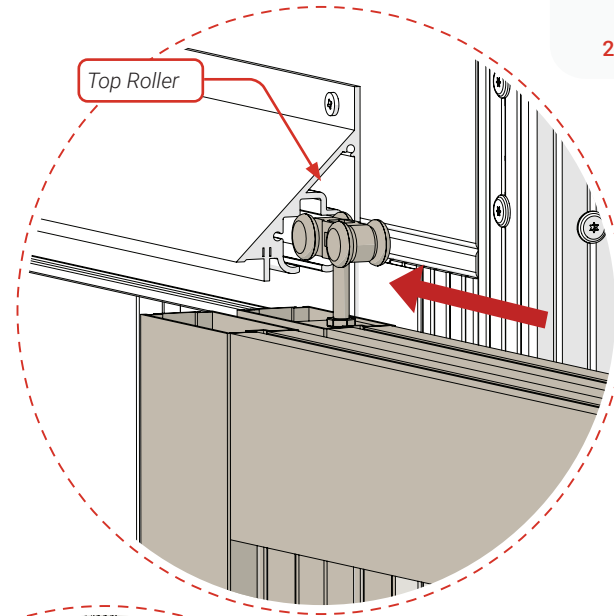
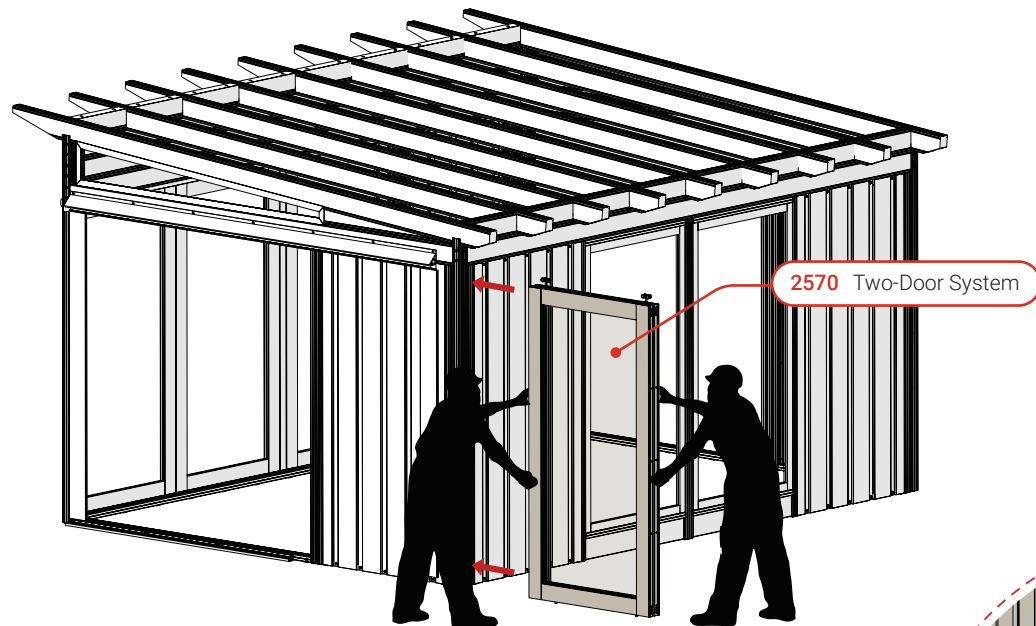


Step 45

- 1) Maneuver the Two-Door System (DC 2570) so the Top Rollers are in-line with the Top Track.
- 2) Carefully lift the Two-Door System up and move the Top Rollers into the Top Track.
- 3) Align the Bottom Pins so they enter the channel in the Bottom Track.



2570 Two-Door System



The Door System is extremely heavy.
Use caution when lifting and maneuvering the product.

If necessary, reduce the amount of Door Panels handled at one time by removing the screws at the hinges.

Do not rest Door System on ground that could cause damage to the product.

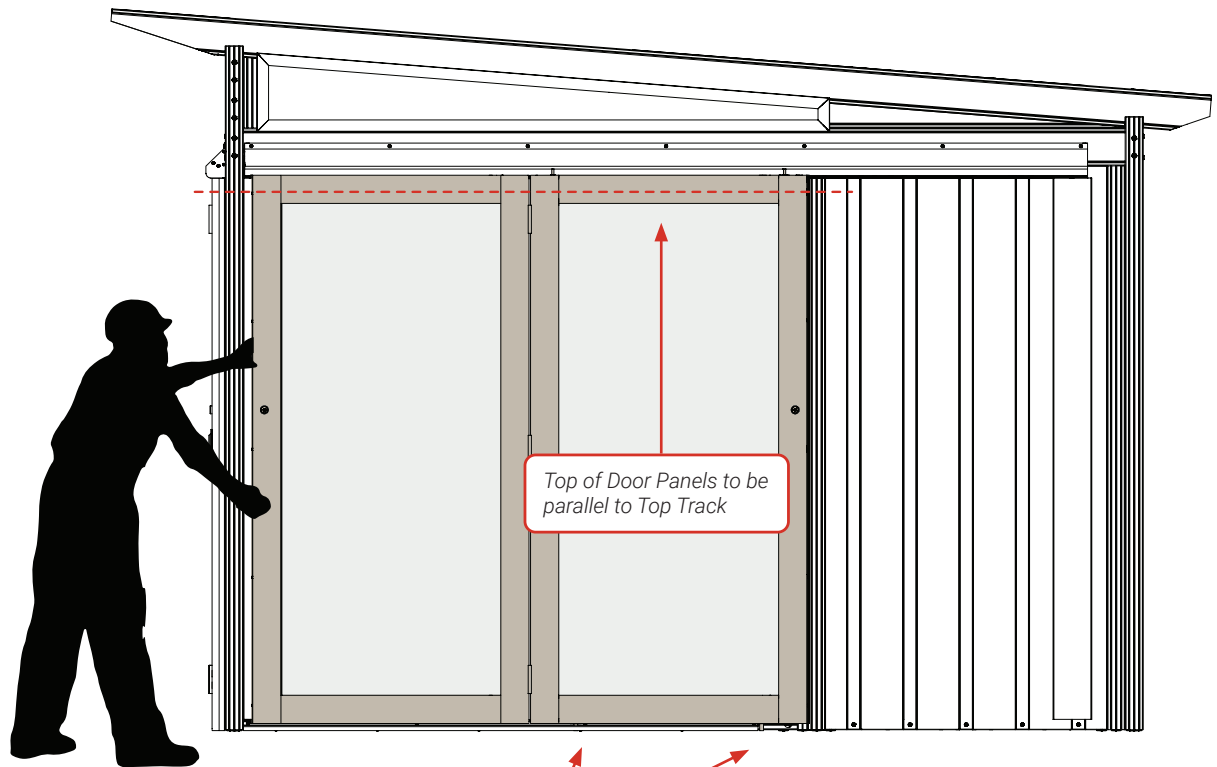
It is advised to wear protective gloves when handling the Door System as edges of metal can be sharp.

Step 46

- 1) The Top of the Door Panels are to be parallel with the Top Track.
- 2) The Bottom Pins are to be embedded in the Bottom Track along full distance of Track.
- 3) If adjustment is required to meet these criteria, remove Door System from Top Track one roller at a time and spin the Top Roller in the direction necessary.

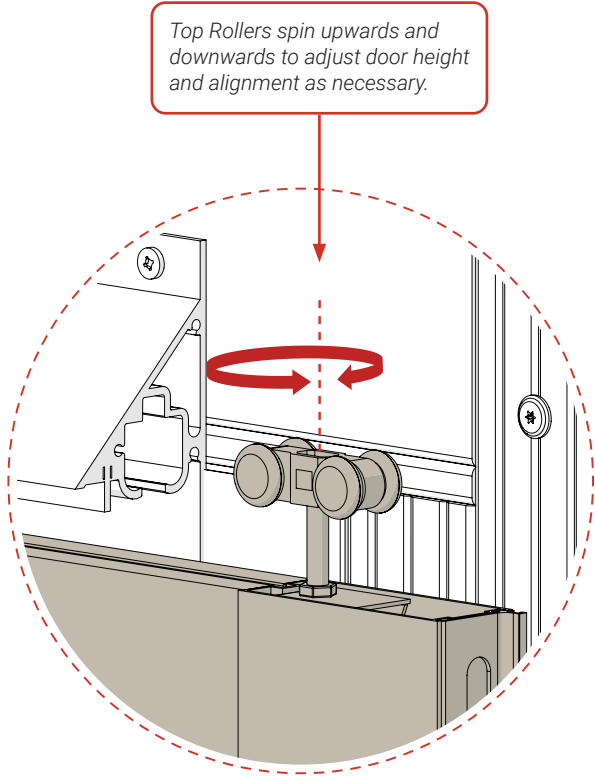
The Door System is extremely heavy.
Use caution when lifting and maneuvering the product.

The Door System is prone to rolling out of the track if not monitored, resulting in damage to property or personal injury.



Top of Door Panels to be parallel to Top Track

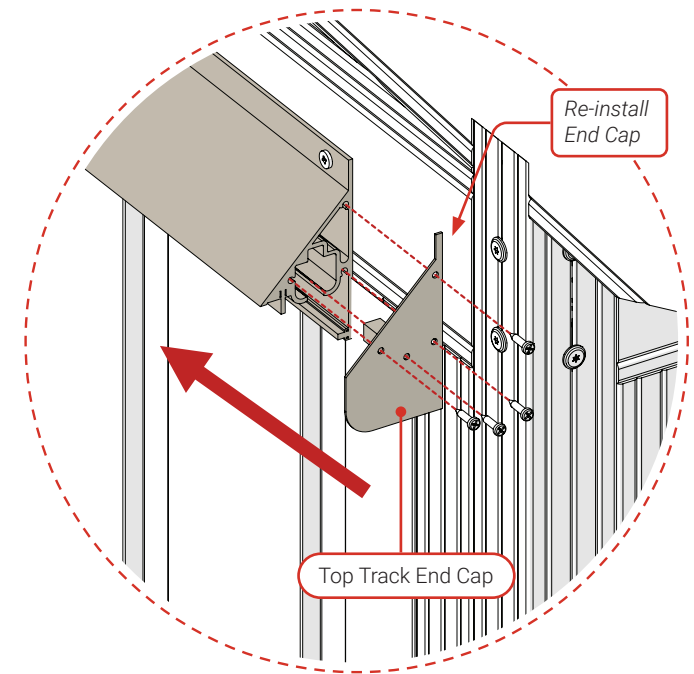
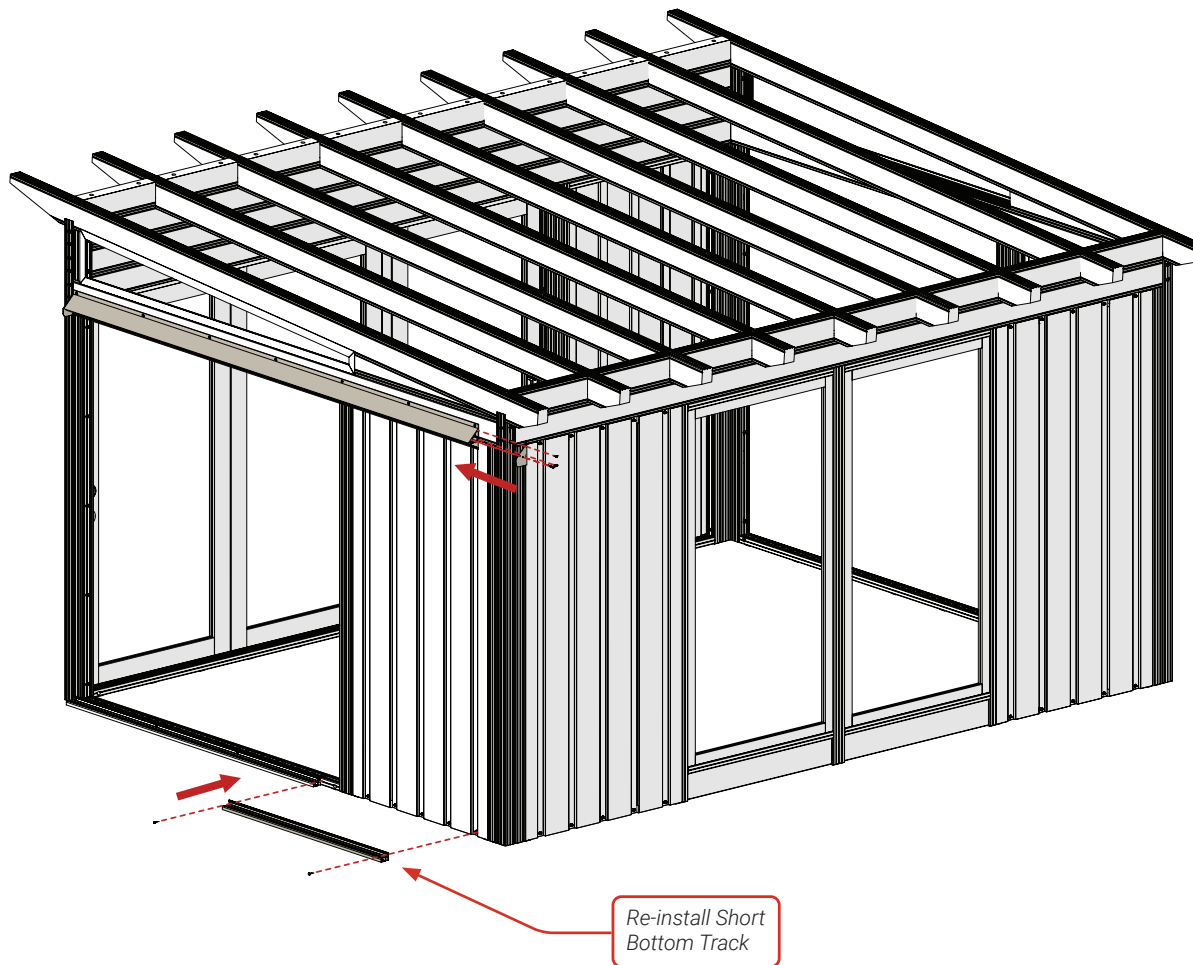
Bottom Pins to be embedded in Bottom Track along full distance of track.



Top Rollers spin upwards and downwards to adjust door height and alignment as necessary.

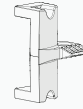
Step 47

1) Re-install the Short Bottom Track and Top Track End Cap.



Step 48

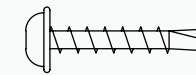
- 1) Measure 40 inches from the floor to set the Handle (DC 2605) to the metal frame of the Door.
Two tabs on the Handle are to fit tightly to inside of metal frame of the Door.
- 2) Fasten the Handle to the metal frame using two self-drilling screws.



2605 Handle

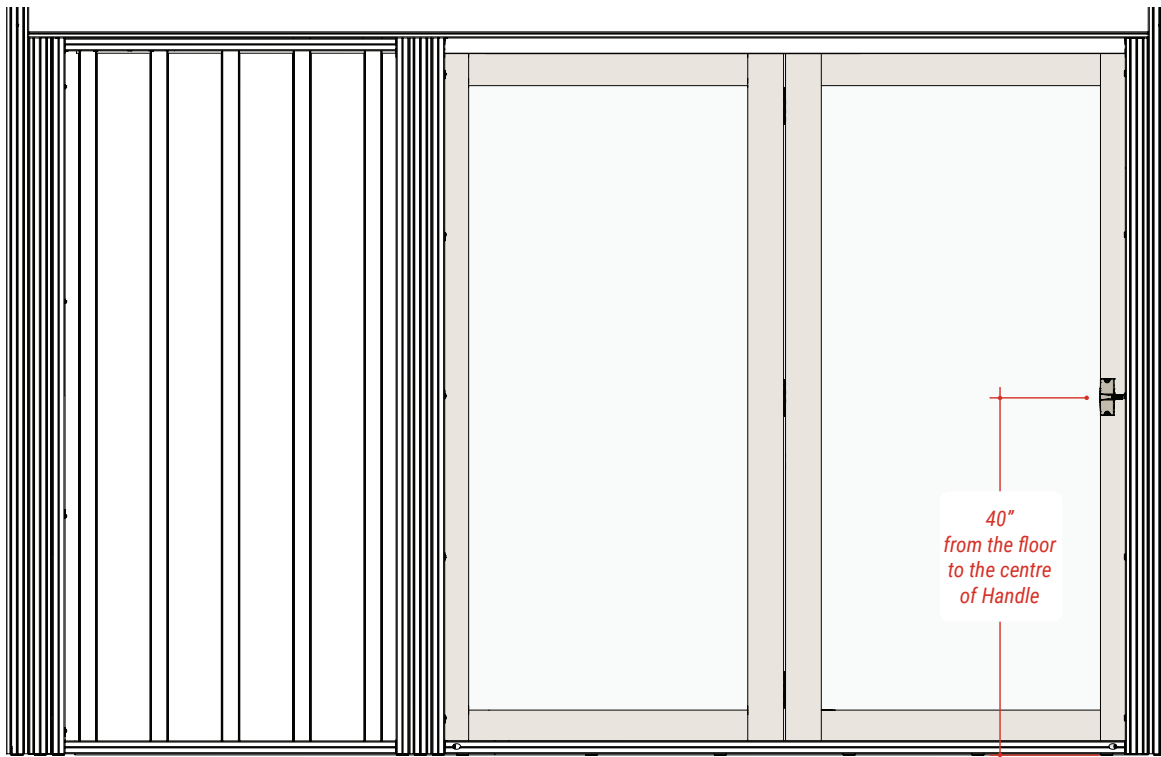


2X



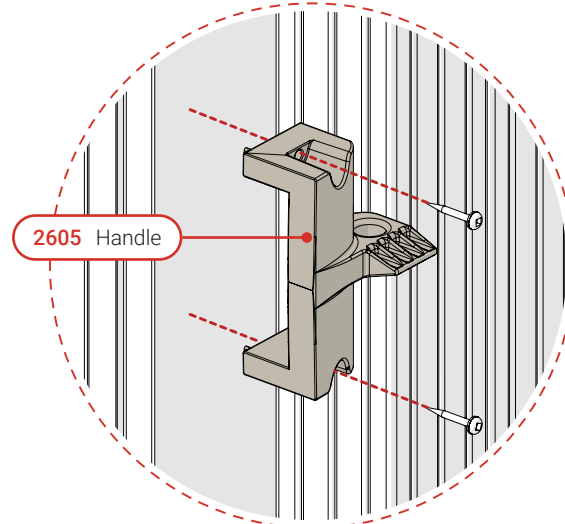
1" #8 PAN HEAD (#2 ROBERTSON)
WITH SELF-DRILLING TIP

Inside view

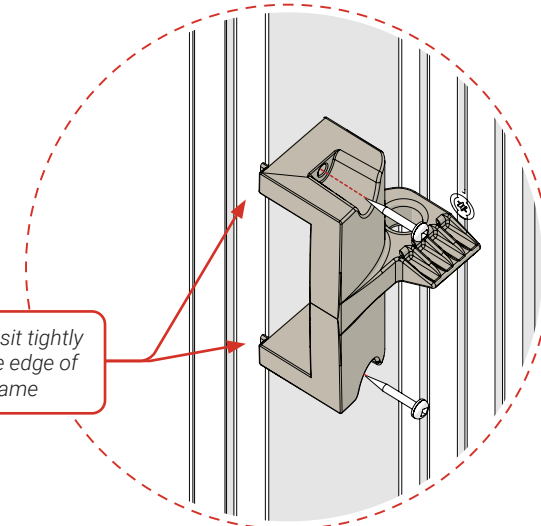


40"
from the floor
to the centre
of Handle

2605 Handle



Tabs to sit tightly
to inside edge of
metal frame

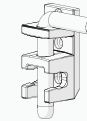


Step 49

- 1) The Two-Door System will rest un-level. To level, lift upwards on the Handle when locating the placement of the Keeper.
- 2) Assemble the Handle, Pin and Keeper (DC 2504) together.
- 3) Pull the Handle inwards, upwards and tight towards the post.
- 4) Mark the edges of the Keeper on the Post with a Pencil.
- 5) Disassemble and re-align the Keeper to the markings. Fasten to Narrow Post.



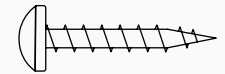
Pencil



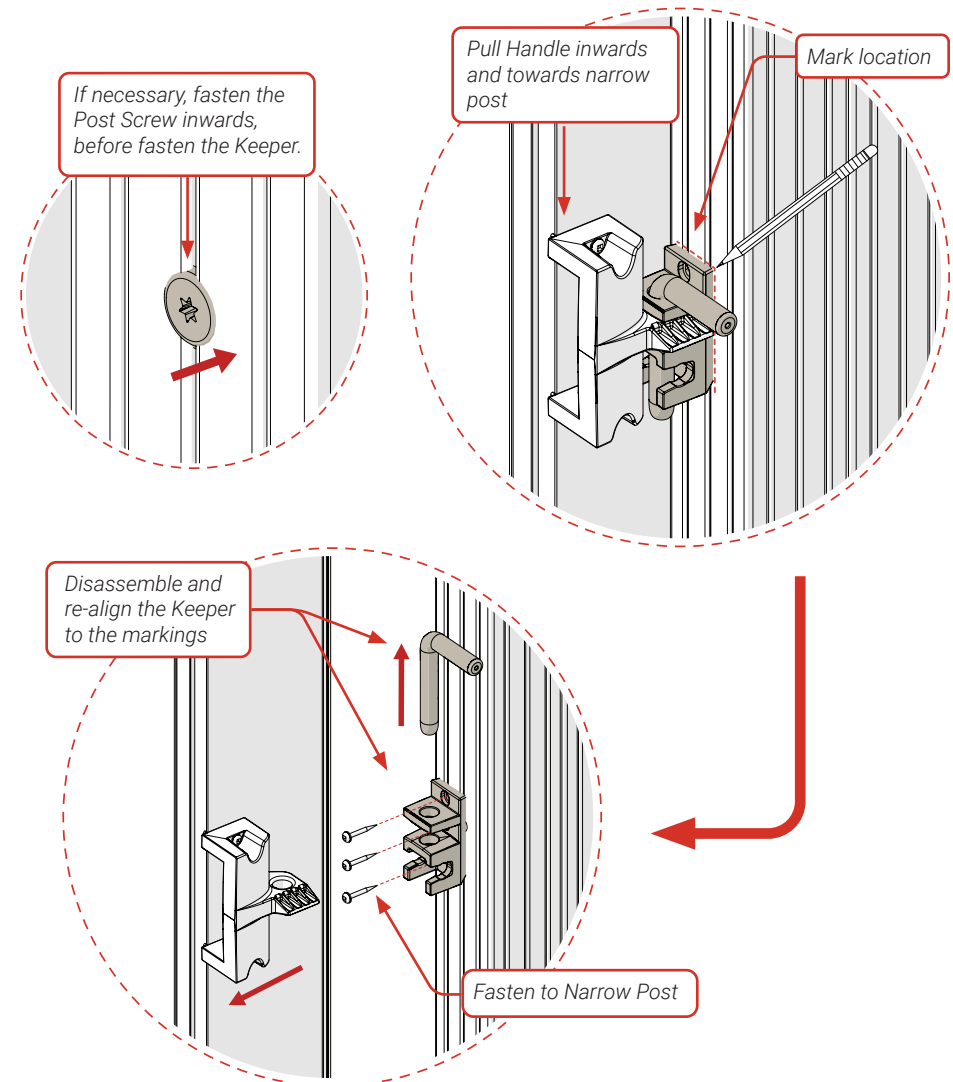
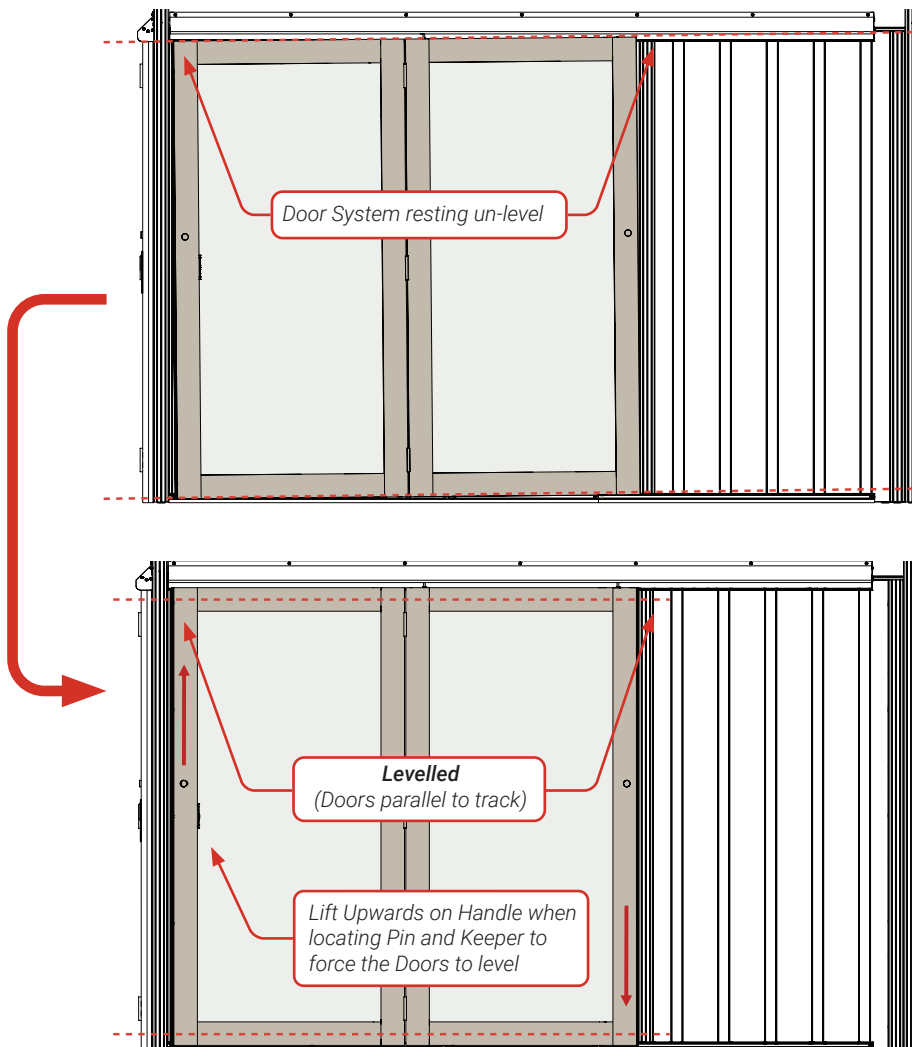
2604 Pin and Keeper



3X

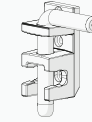


1" #8 PAN HEAD
(#2 ROBERTSON)



Step 50

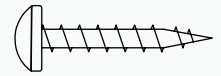
- 1) Fold the Two-Door System and move in front of the Wall Panel.
- 2) Place a Keeper (DC 2604) on the Back Post at the same height as the Handle.



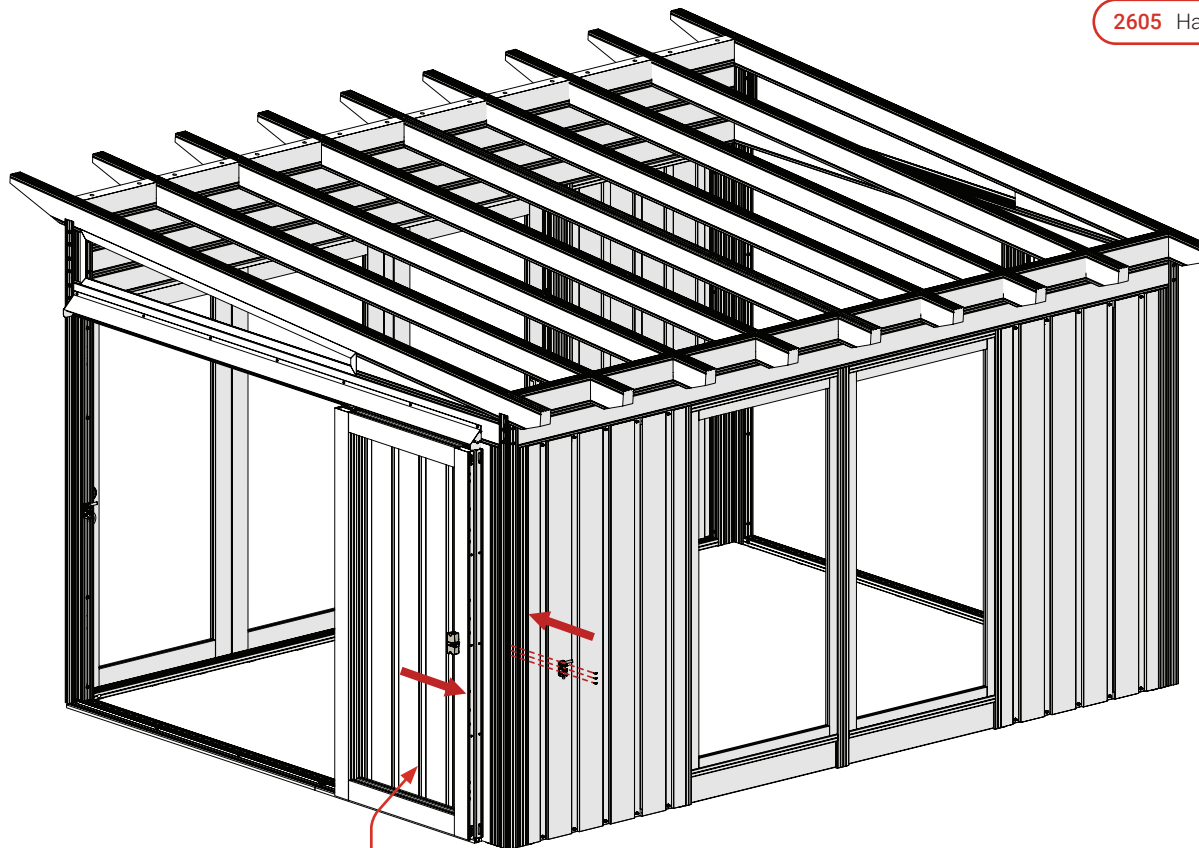
2604 Pin and Keeper



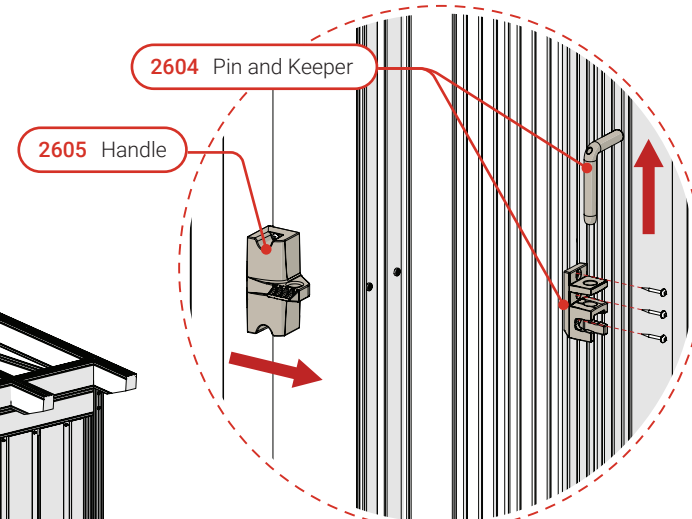
3X



1" #8 PAN HEAD
(#2 ROBERTSON)

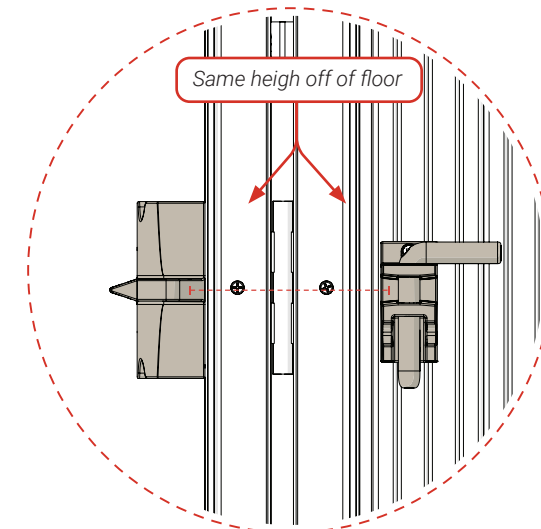


Fold the Two-Door System



2604 Pin and Keeper

2605 Handle



Same height off of floor

Step 51

- 1) Fit the Two-Door Bottom Track (DC 2601) to the threshold and flush to Front Left Post.
- 2) Fit the Short Bottom Track (DC 2602) to the threshold and tight to the adjacent track.
- 3) Push Wall Panel inwards or outwards to ensure track are in-line with each other.
- 4) Fasten through the pre-drilled holes.



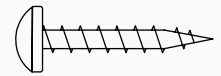
2601
Two-Door Bottom Track



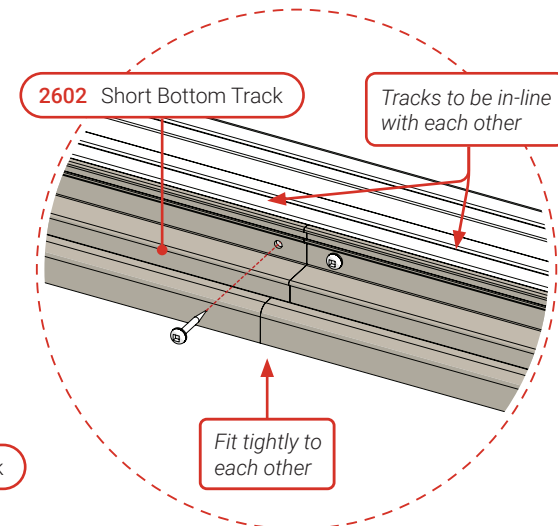
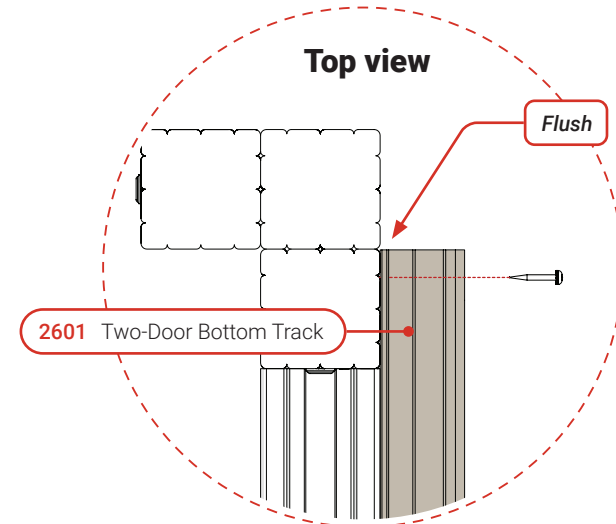
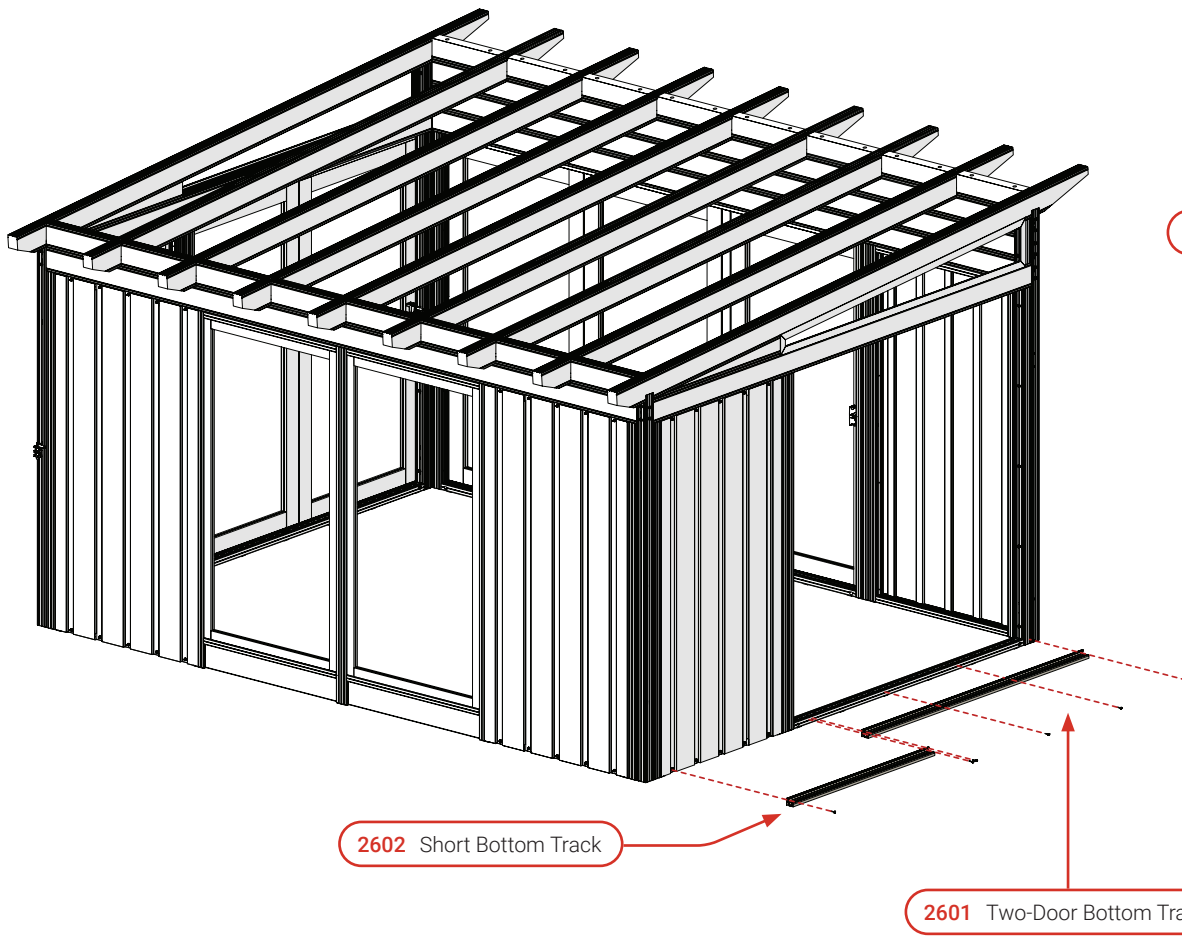
2602
Short Bottom Track



6X

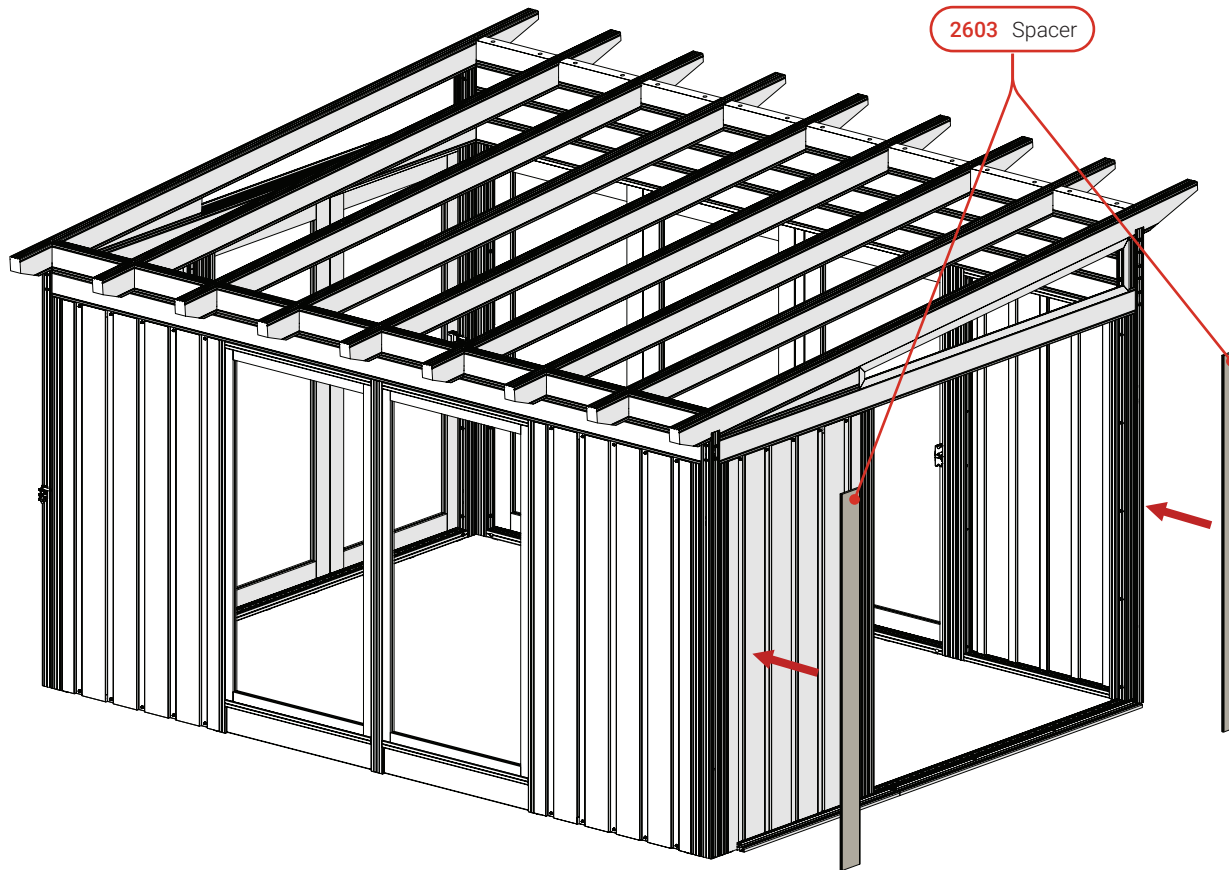


1" #8 PAN HEAD
(#2 ROBERTSON)

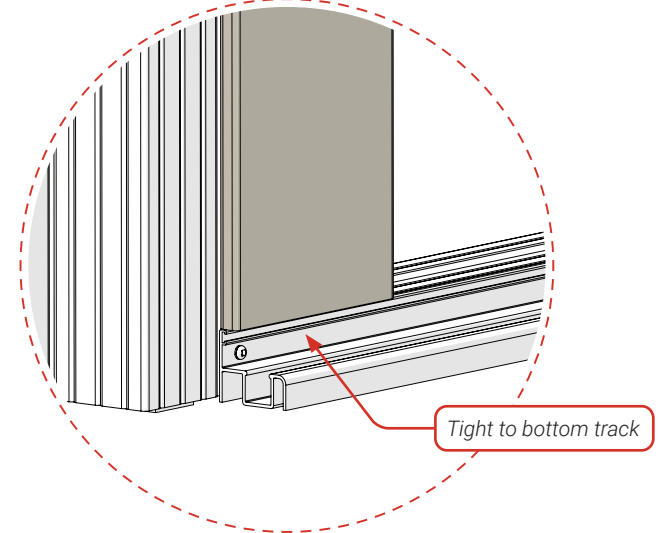
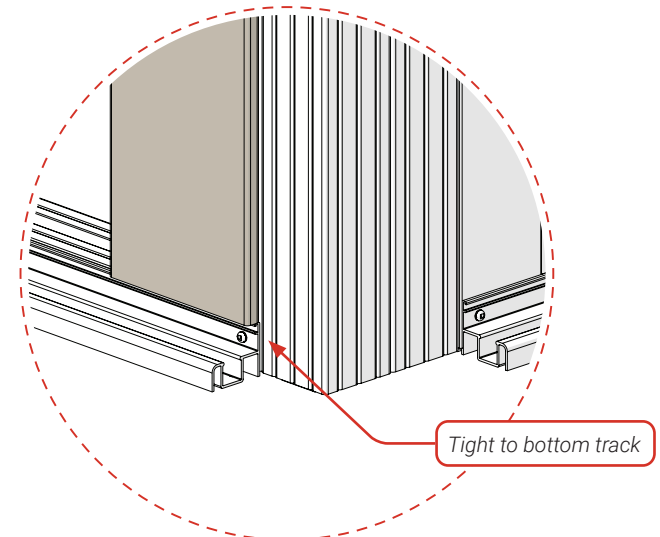


Step 52

1) Place two Spacers (DC 2603) and fit tightly to bottom tracks.



2603 Spacer



Step 53

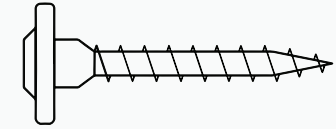
- 1) Fit the Short Top Track (DC 2600) to the Side Beam, resting on both Spacers.
- 2) Align the Short Top Track to the inside edges of the Front Left Post.



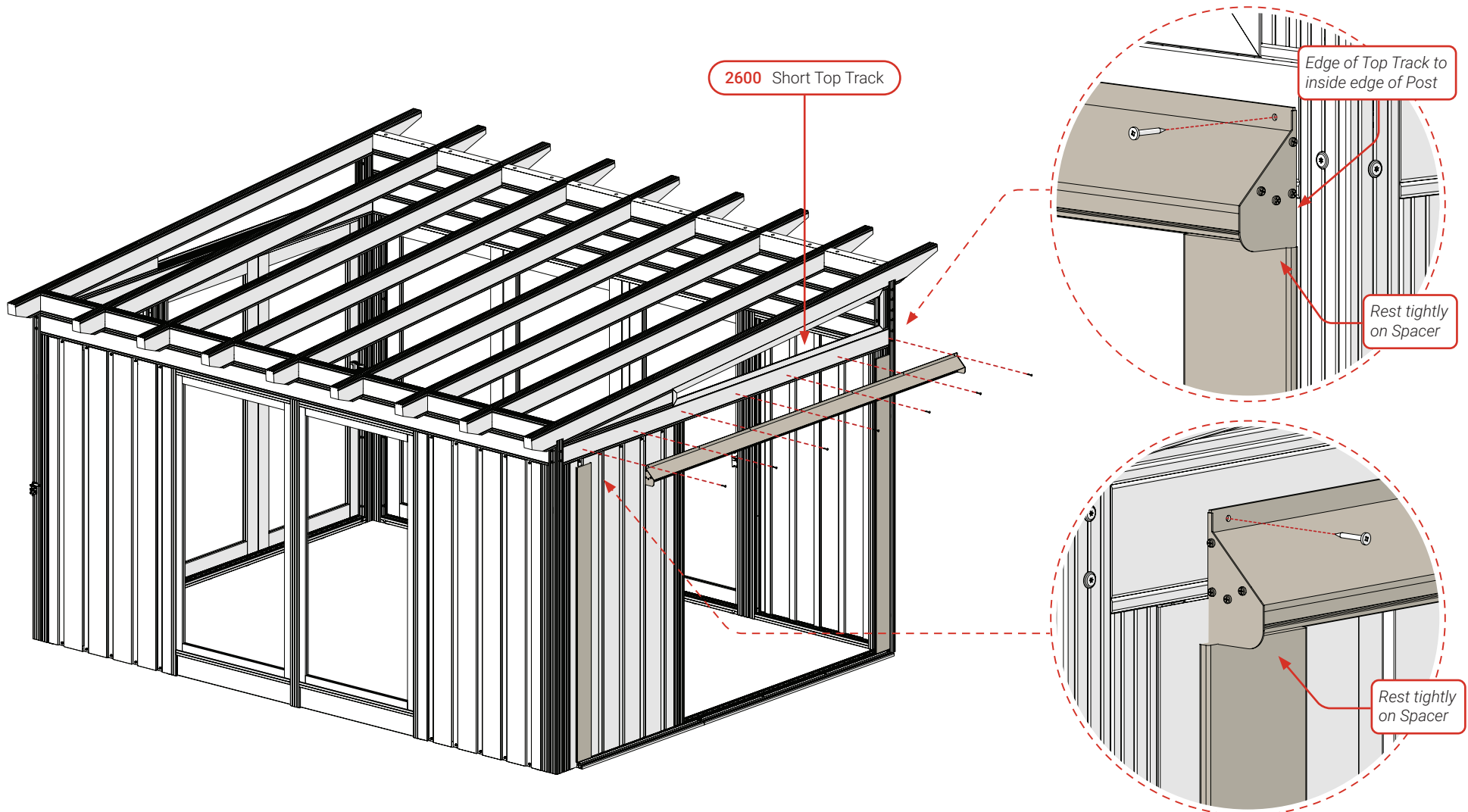
2600 Short Top Track



7X

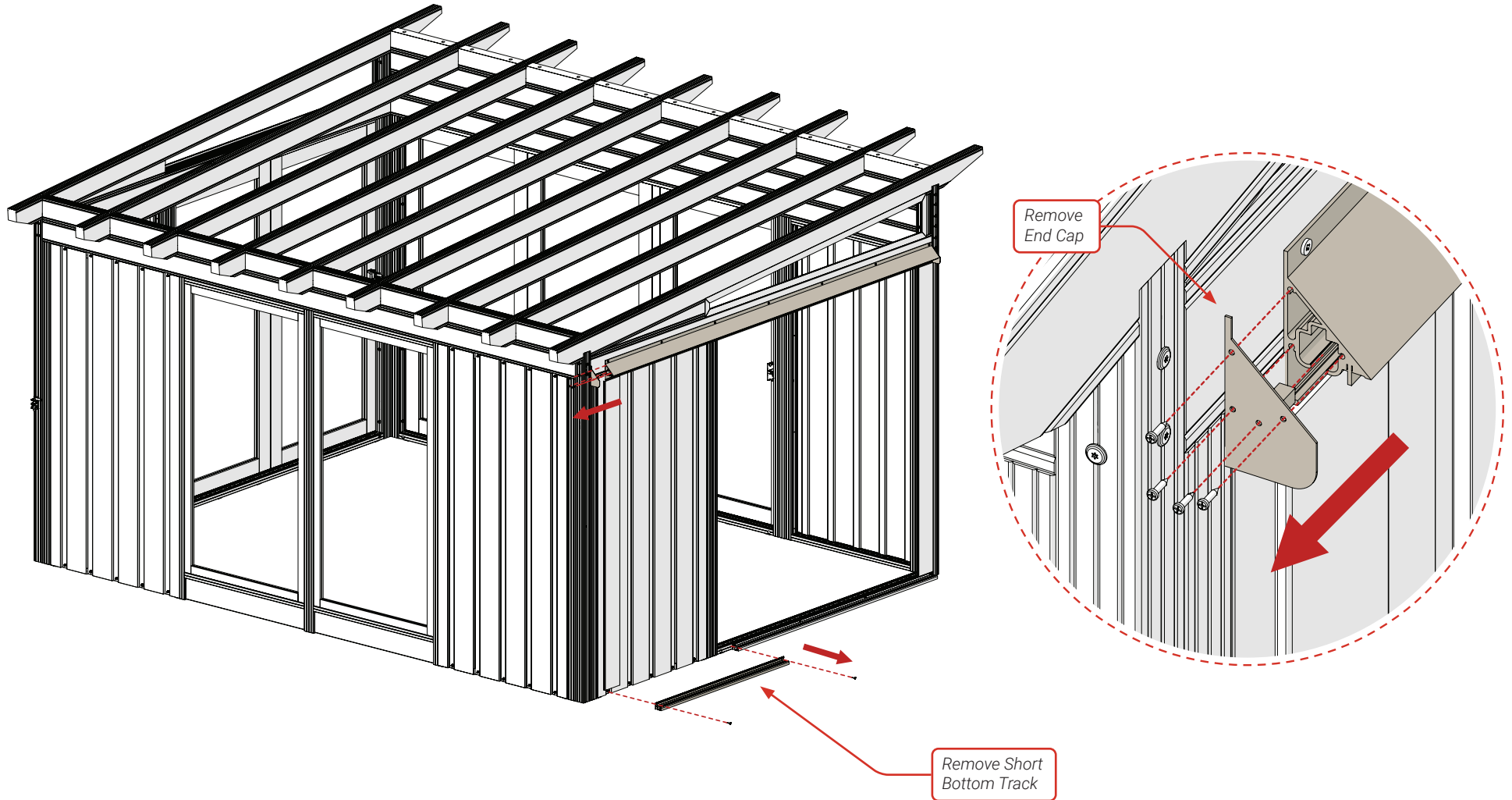


1 1/2" X 1/4" RSS (T25 TORX)



Step 54

1) To facilitate the installation of the Two-Door System, remove the Short Bottom Track and the End Cap of the Top Track.

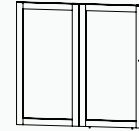


Step 55

1) Adjust the Pins up of the Passive Two-Door System (DC 2753) and fit the Rollers (DC 2606) to be placed at the same level.

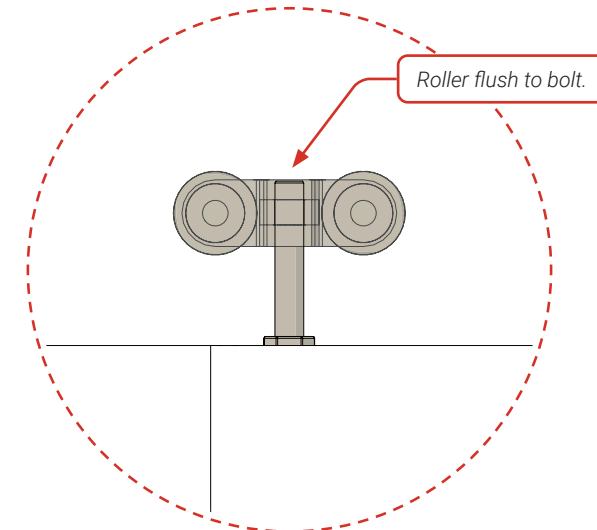
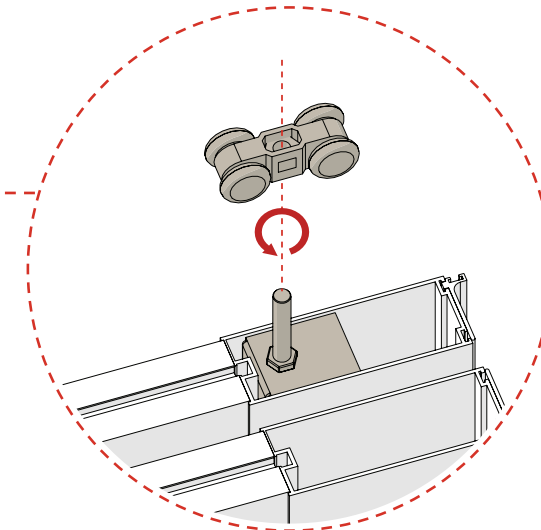
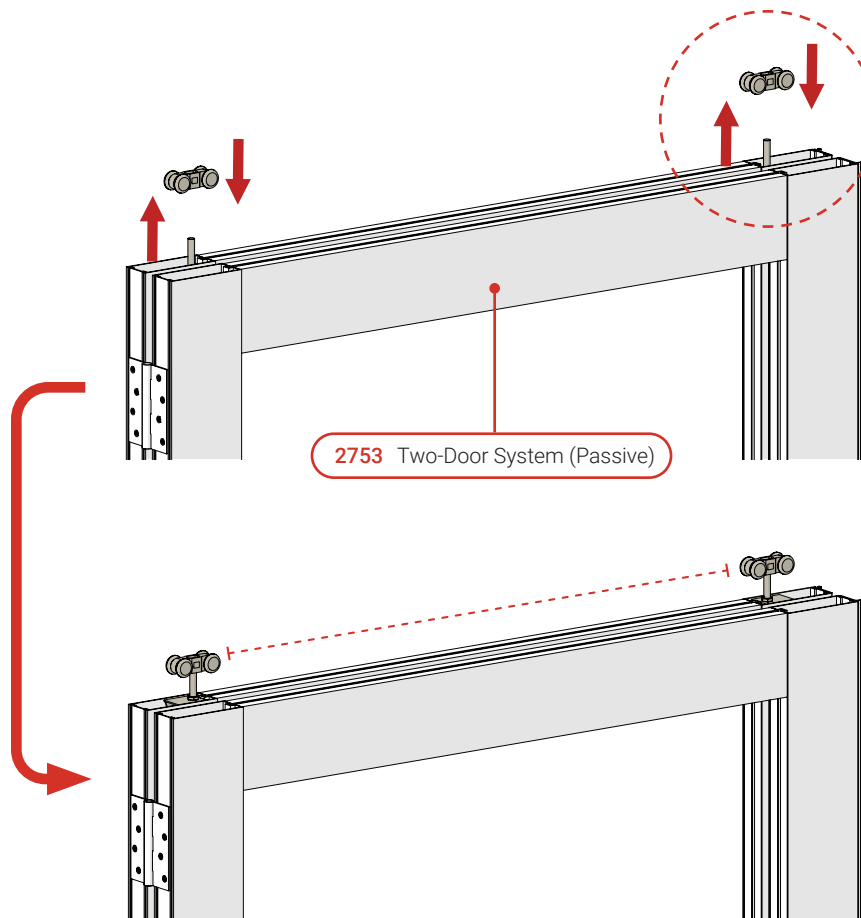


2606 Roller



2753 Two-Door System (Passive)

The Door System is extremely heavy.
Use caution when lifting and maneuvering the product.

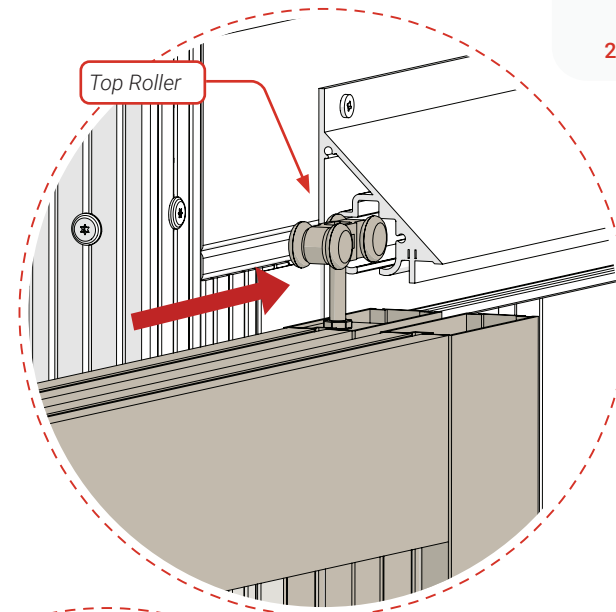
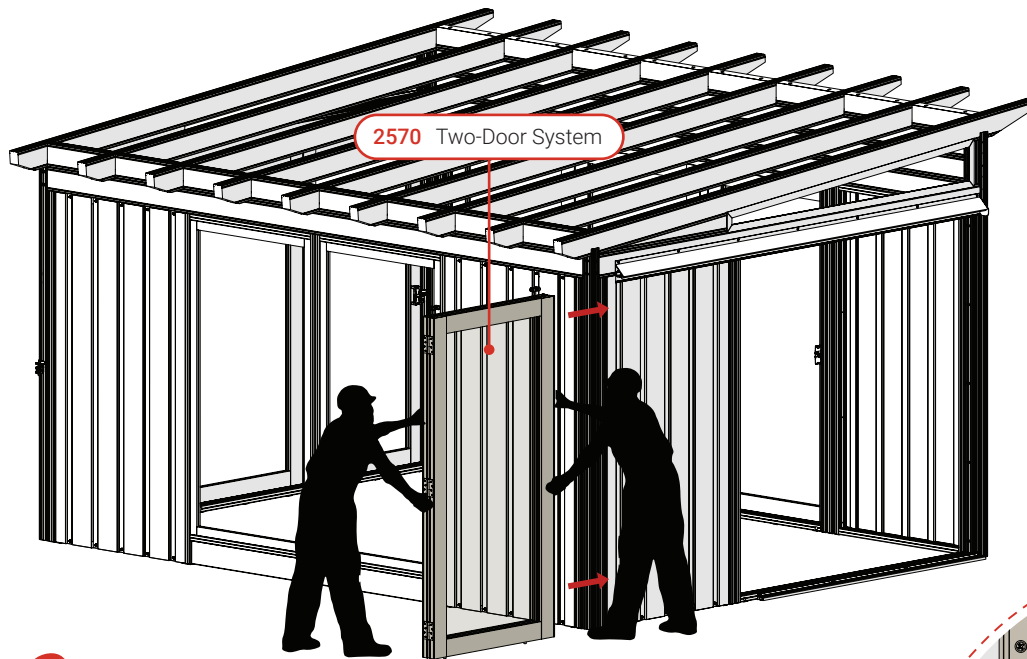


Step 56

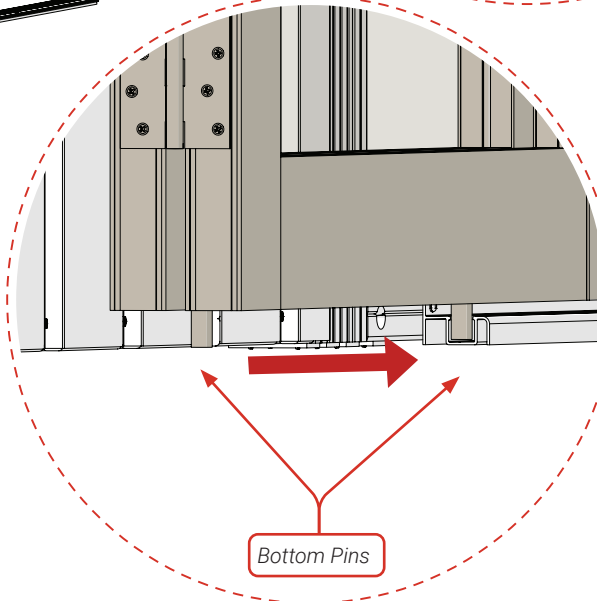
- 1) Maneuver the Two-Door System (DC 2570) so the Top Rollers are in-line with the Top Track.
- 2) Carefully lift the Two-Door System up and move the Top Rollers into the Top Track.
- 3) Align the Bottom Pins so they enter the channel in the Bottom Track.



2570 Two-Door System



Top Roller



Bottom Pins

The Door System is extremely heavy.

Use caution when lifting and maneuvering the product.

If necessary, reduce the amount of Door Panels handled at one time by removing the screws at the hinges.

Do not rest Door System on ground that could cause damage to the product.

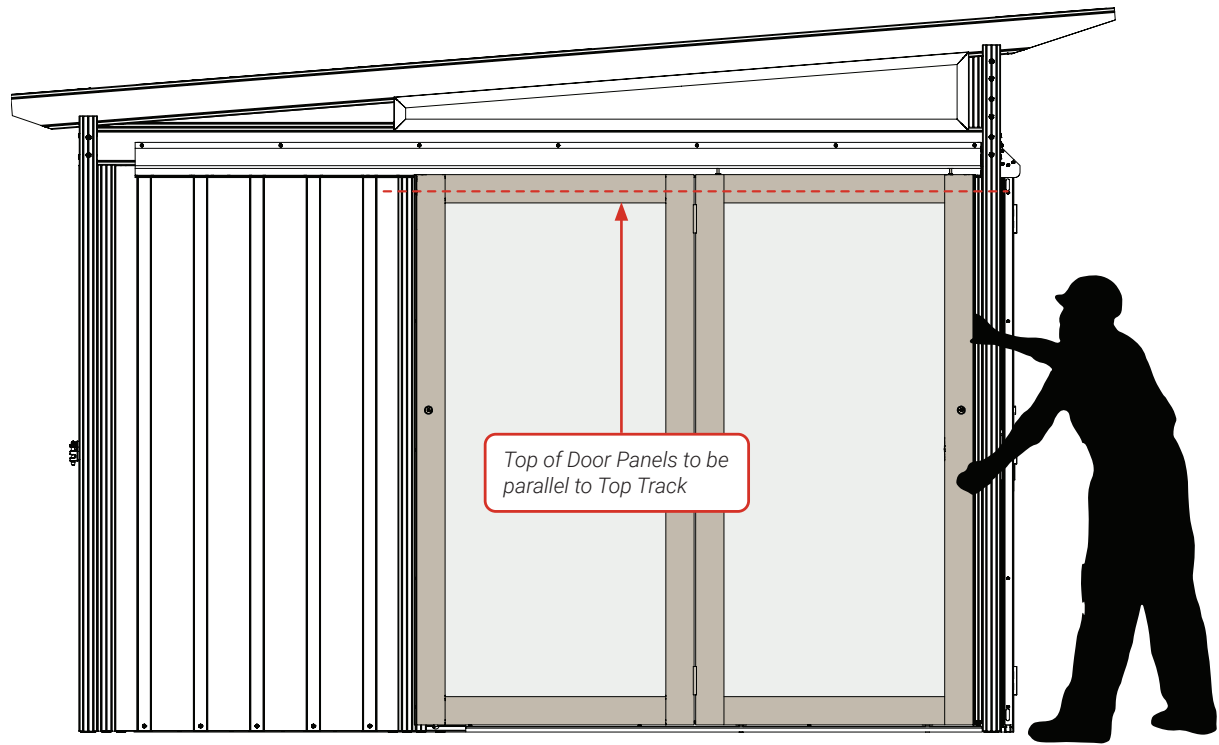
It is advised to wear protective gloves when handling the Door System as edges of metal can be sharp.

Step 57

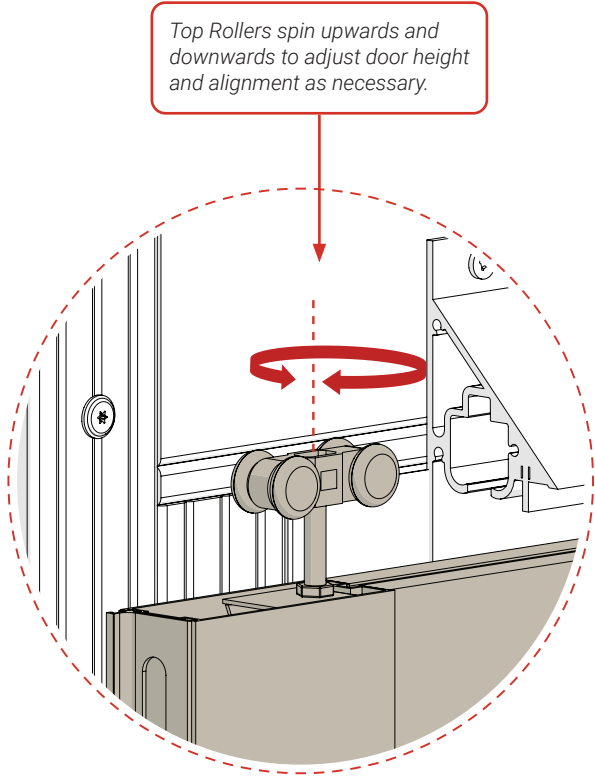
- 1) The Top of the Door Panels are to be parallel with the Top Track.
- 2) The Bottom Pins are to be embedded in the Bottom Track along full distance of Track.
- 3) If adjustment is required to meet these criteria, remove Door System from Top Track one roller at a time and spin the Top Roller in the direction necessary.

The Door System is extremely heavy.
Use caution when lifting and maneuvering the product.

The Door System is prone to rolling out of the track if not monitored, resulting in damage to property or personal injury.

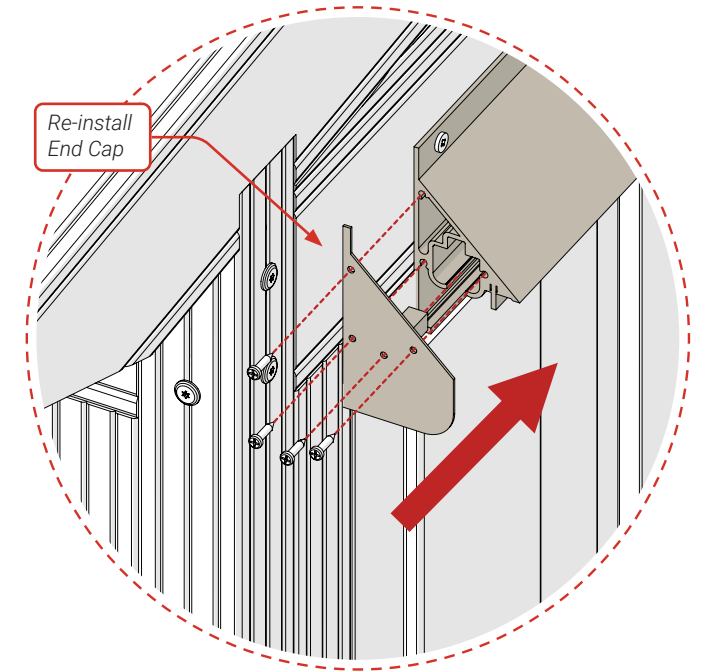
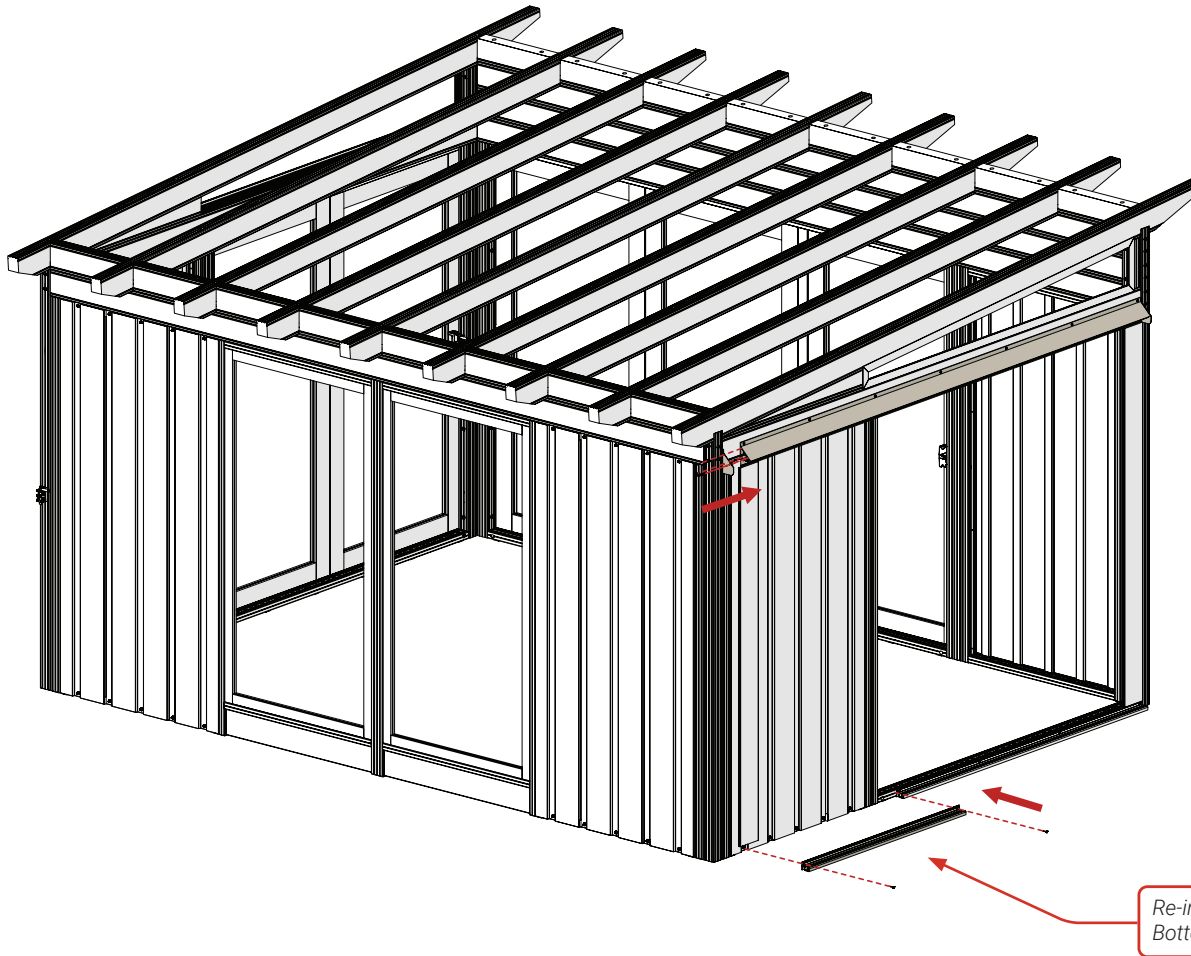


Bottom Pins to be embedded in Bottom Track along full distance of track.



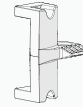
Step 58

1) Re-install the Short Bottom Track and Top Track End Cap.



Step 59

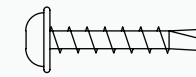
- 1) Measure 40 inches from the floor to set the Handle (DC 2605) to the metal frame of the Door.
Two tabs on the Handle are to fit tightly to inside of metal frame of the Door.
- 2) Fasten the Handle to the metal frame using two self-drilling screws.



2605 Handle

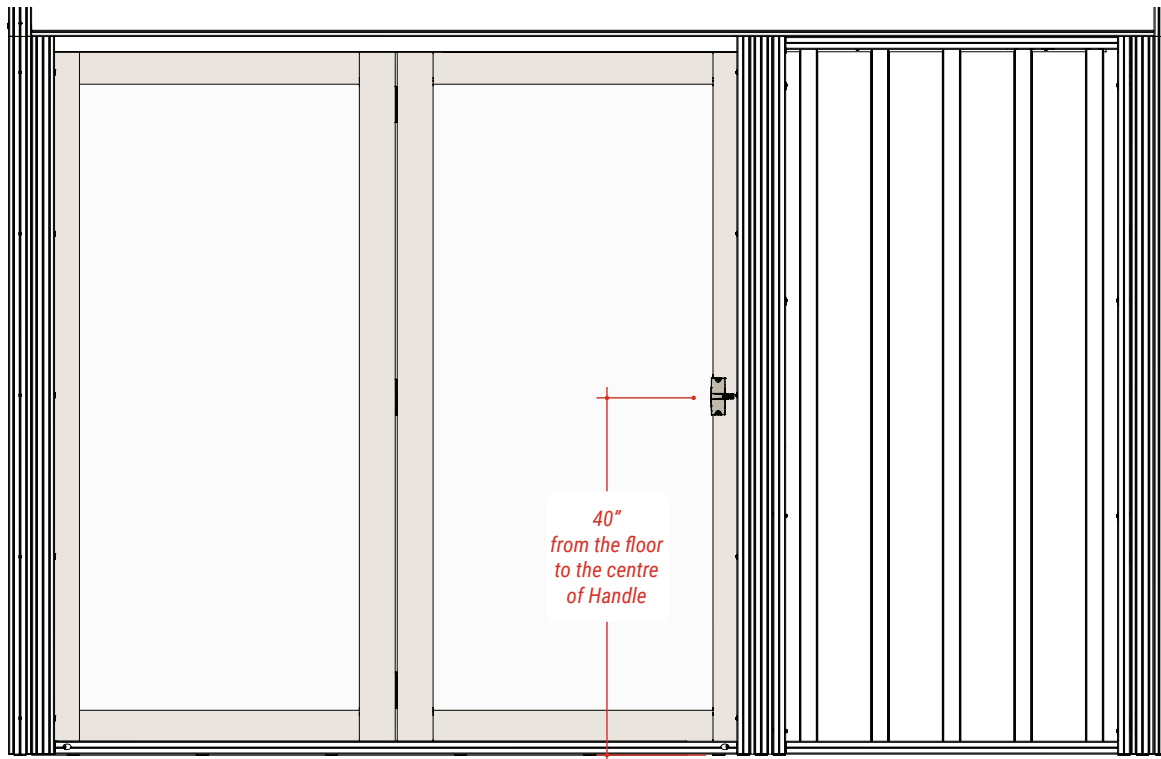


2X

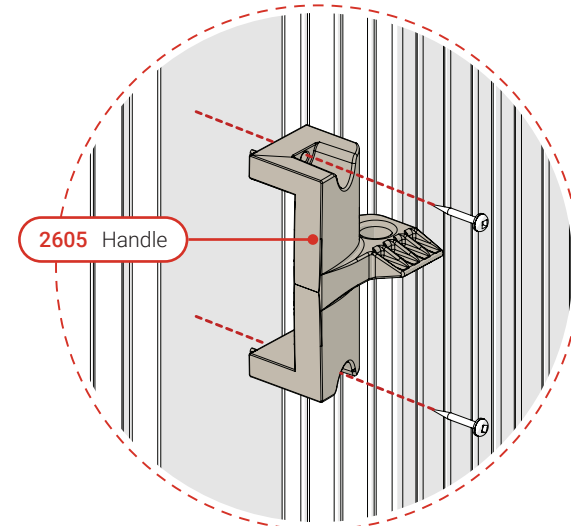


1" #8 PAN HEAD (#2 ROBERTSON)
WITH SELF-DRILLING TIP

Inside view

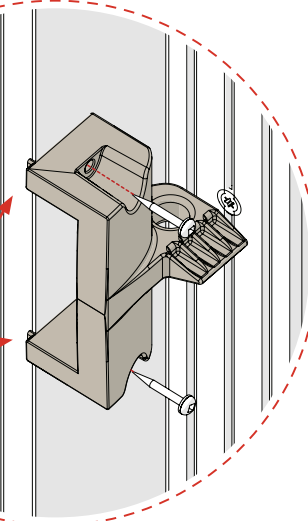


40"
from the floor
to the centre
of Handle



2605 Handle

2
Tabs to sit tightly
to inside edge of
metal frame

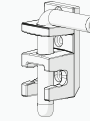


Step 60

- 1) The Two-Door System will rest un-level. To level, lift upwards on the Handle when locating the placement of the Keeper.
- 2) Assemble the Handle, Pin and Keeper (DC 2504) together.
- 3) Pull the Handle inwards, upwards and tight towards the post.
- 4) Mark the edges of the Keeper on the Post with a Pencil.
- 5) Disassemble and re-align the Keeper to the markings. Fasten to Narrow Post.



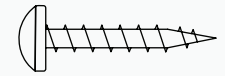
Pencil



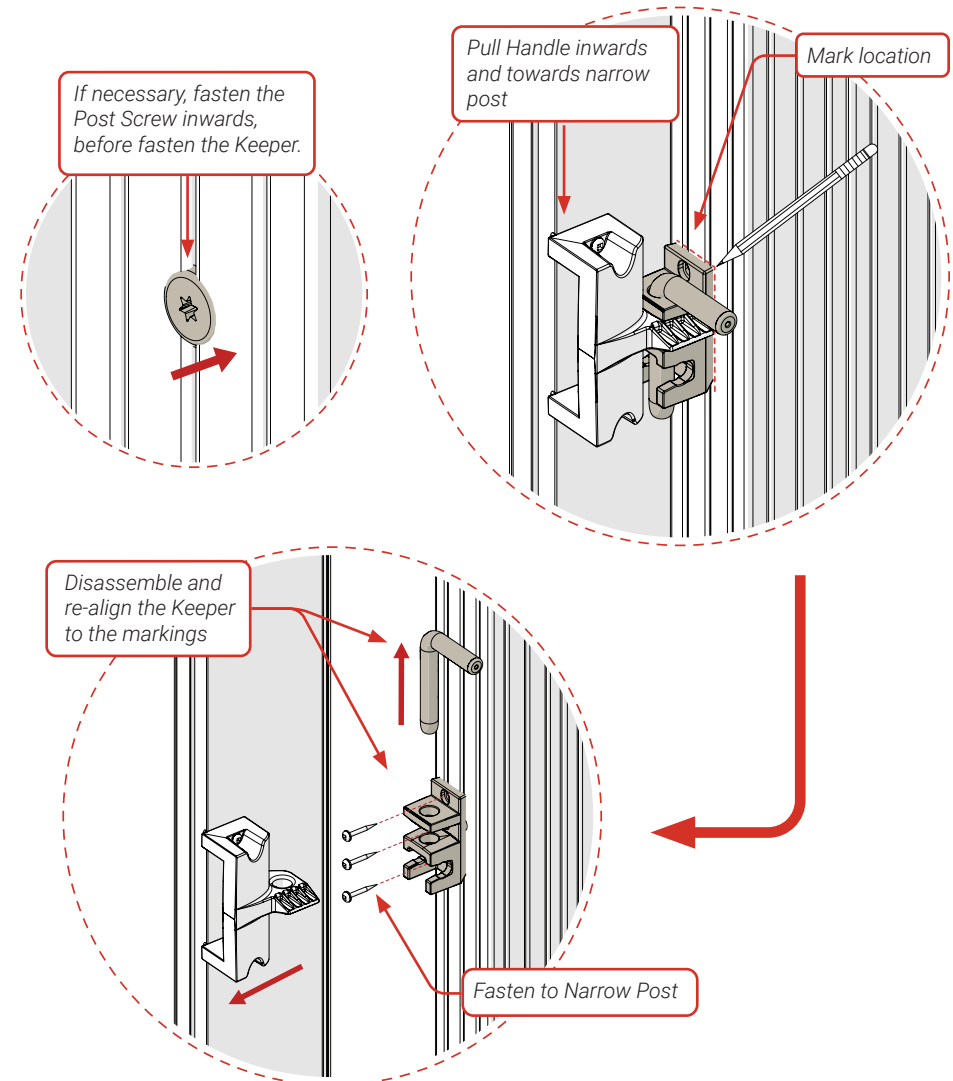
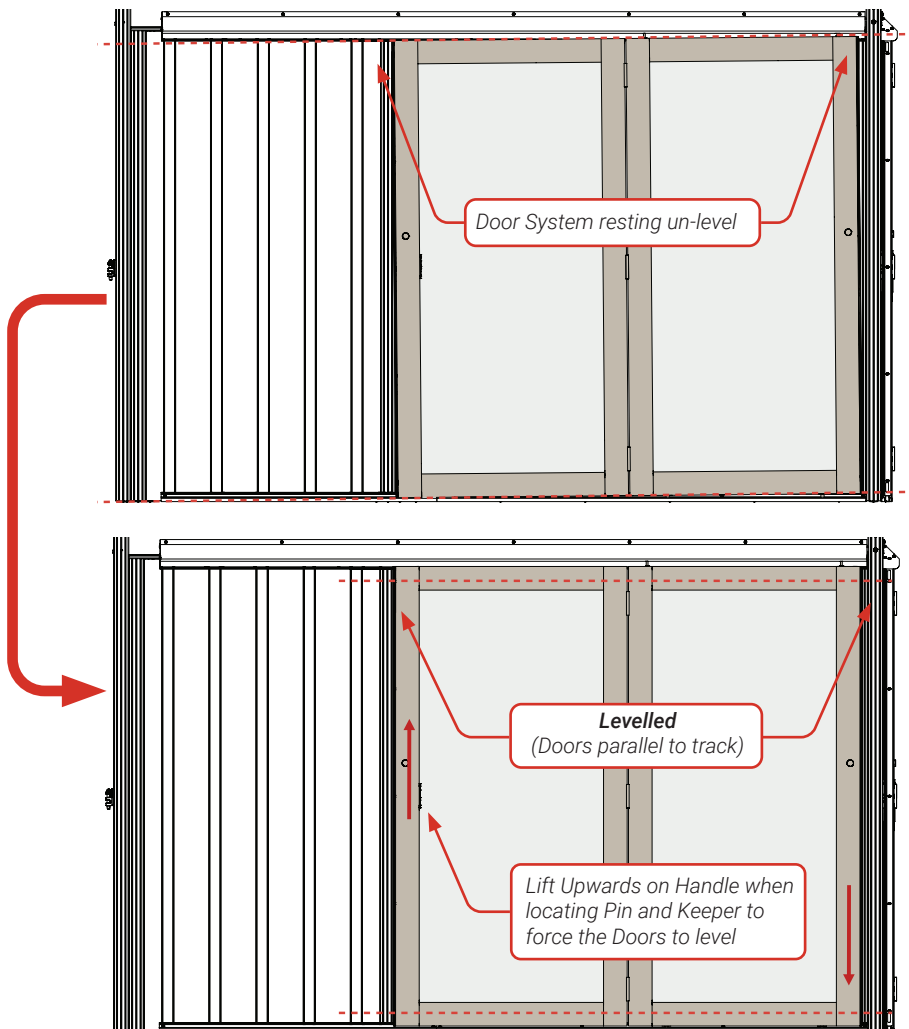
2604 Pin and Keeper



3X



1" #8 PAN HEAD
(#2 ROBERTSON)



OPTIONAL VERANDA

*If you have purchased an optional 11x11 Veranda for your outdoor structure, please move on to **Phases A, B and C** of the **Veranda Instructions** provided with the respective addition at this time.*



Veranda

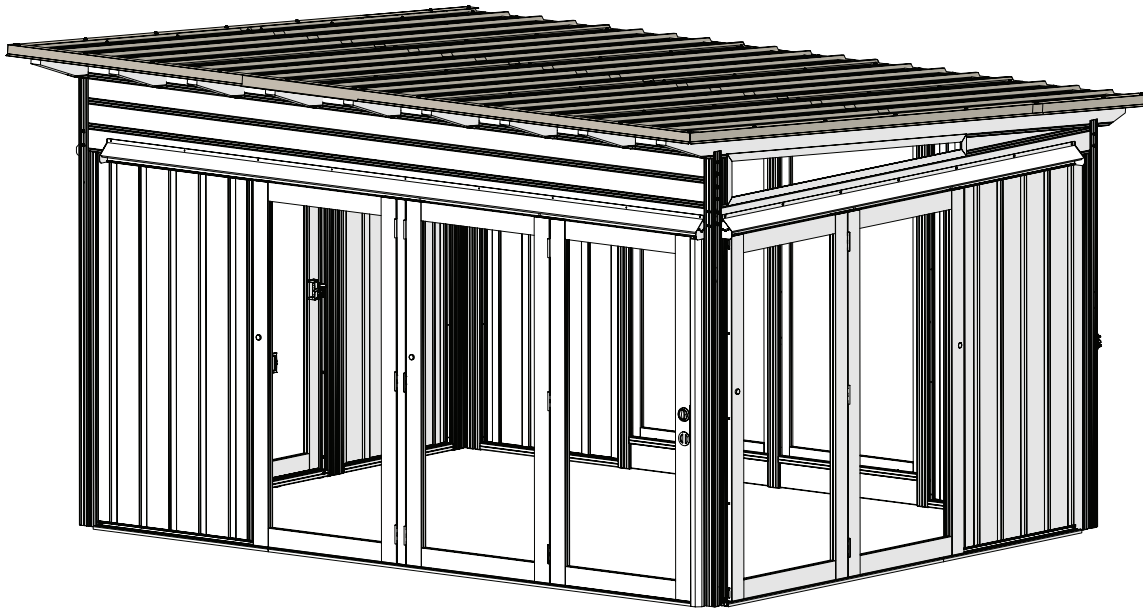
The **11x11 Veranda** redefines outdoor living. Elevate your VISSCHER fully enclosed structure by incorporating a covered outdoor space, offering a new dimension of living to your environment.

If you wish to purchase optional **11x11 Veranda**, please contact your **local Visscher dealer**.



11X11 Veranda

Phase D



D Roofing

Only put screws at **pre-punched locations**.

When stepping on Roof, step on Screw Line and **avoid stepping on Ribs** as they can dent and deform.

Step 61

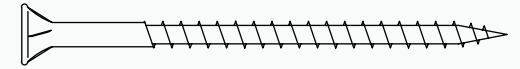
- 1) Fit the two Starter Ceiling Boards (DC 2507) on the Rafters and flush to the bottom edges of the Rafters, tongue facing upwards. *Ceiling boards to touch at the centre of the middle rafter.*
- 2) Fasten to every two Rafters as shown. *Six screws per Starter. Screws at Middle Rafter must enter on an angle.*



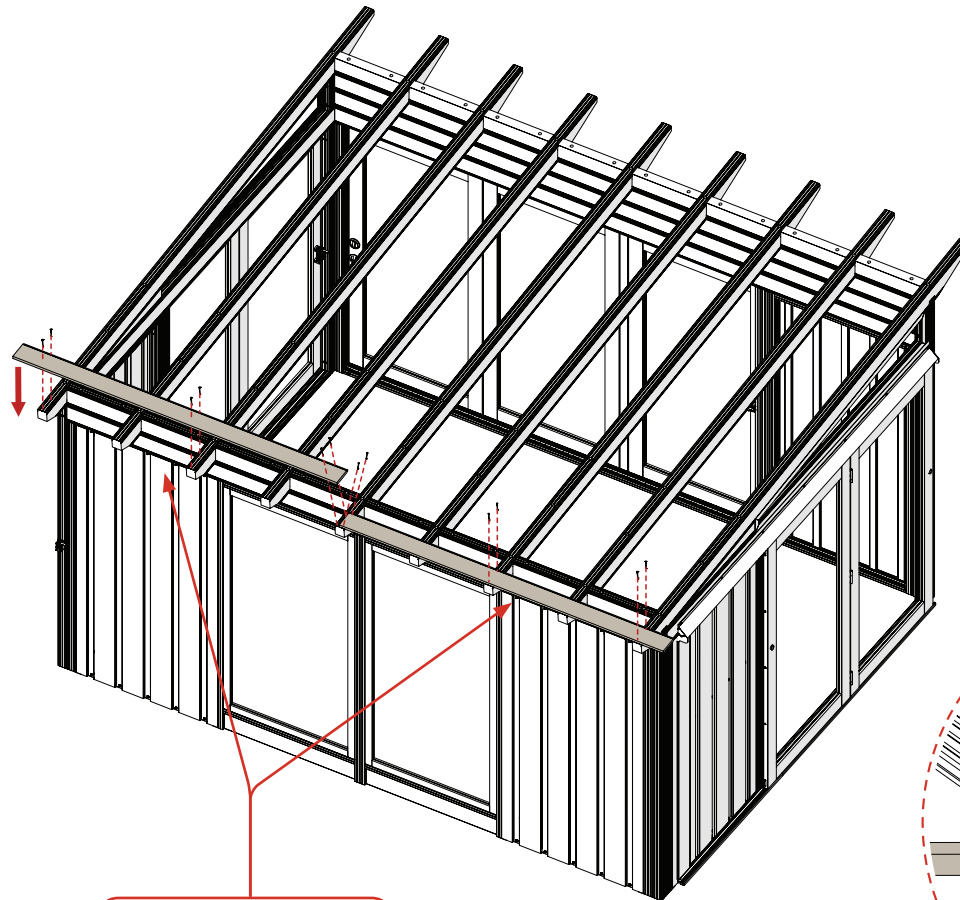
2507 Starter Ceiling Board



12X

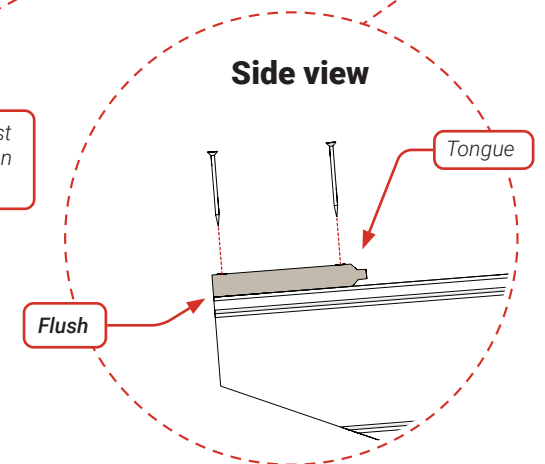
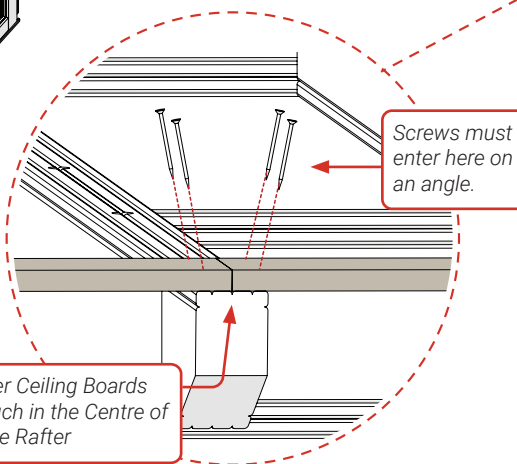
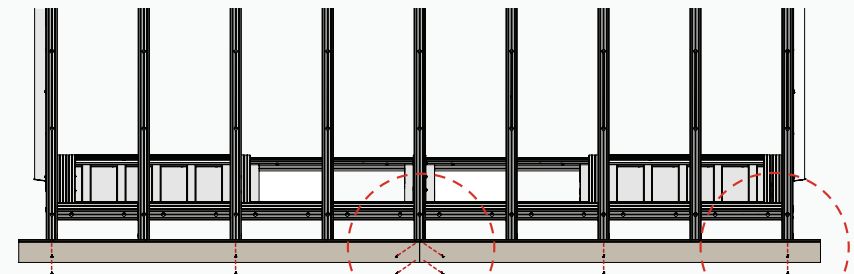


2 1/2" #8 FLAT HEAD (#2 ROBERTSON)



2507 Starter Ceiling Board

Top view



Step 62

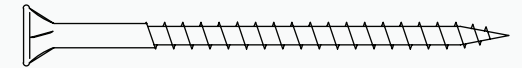
- 1) Fit two Ceiling Boards (DC 2500), groove-to-tongue with the Starter Ceiling Boards. Ceiling Boards to touch at the centre of the Middle Rafter.
- 2) Fasten to every two Rafters as shown. Six screws per Ceiling Board. Screws at Middle Rafter must enter on an angle.



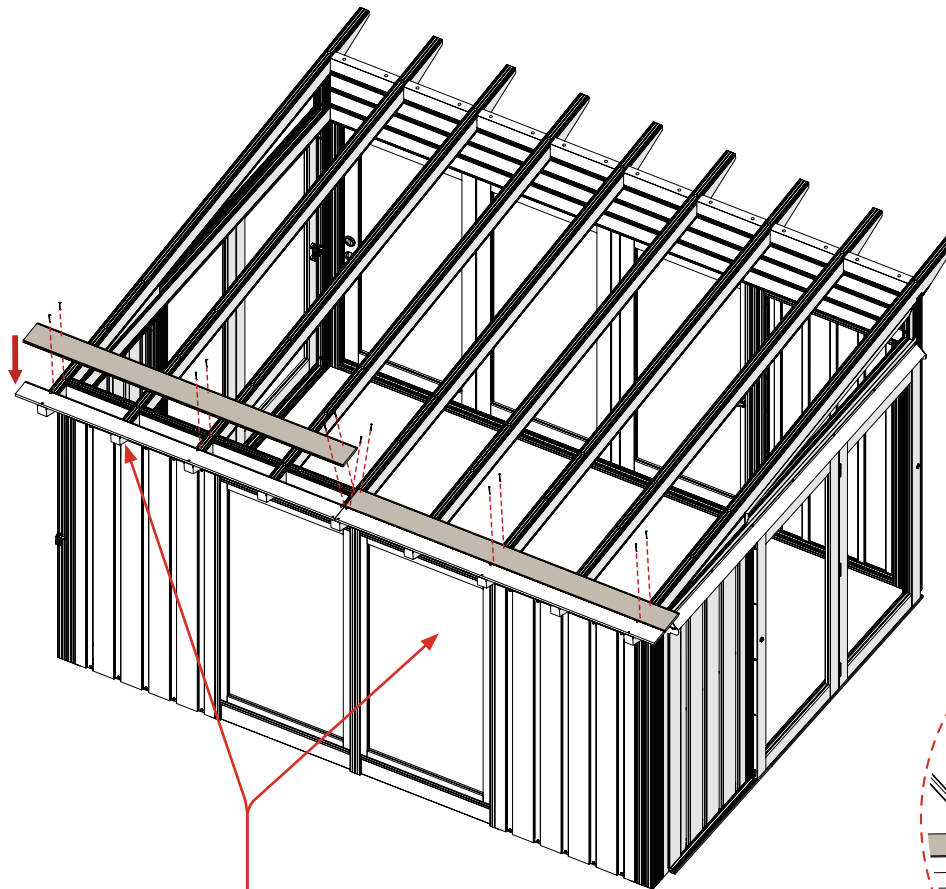
2500 Full Ceiling Board



12X

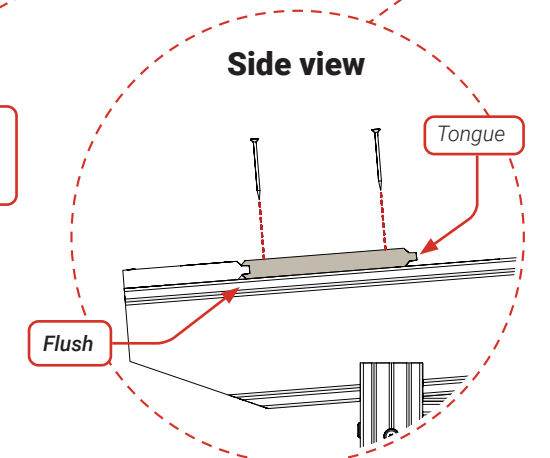
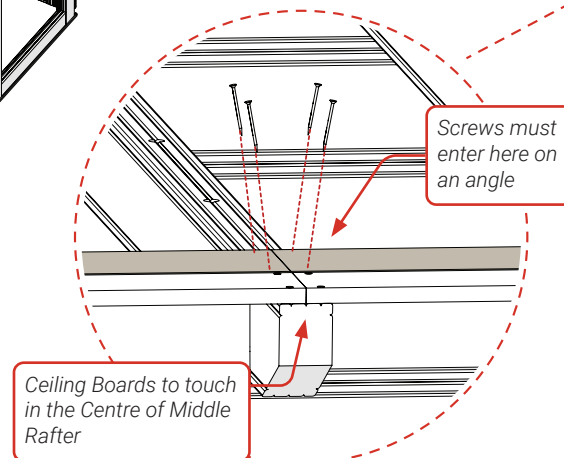
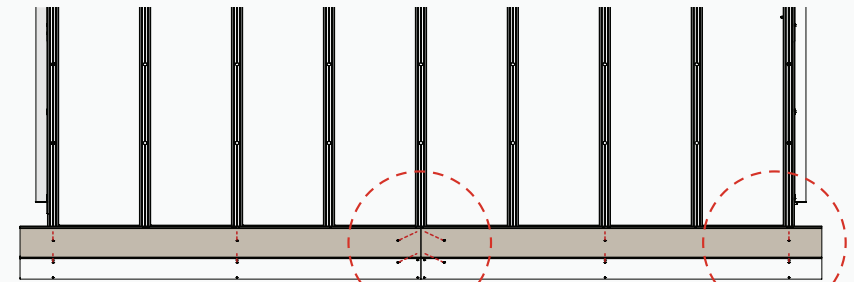


2 1/2" #8 FLAT HEAD (#2 ROBERTSON)



2500 Full Ceiling Board

Top view



Step 63

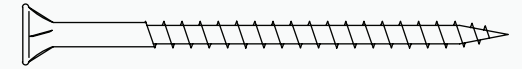
- 1) Fit the remaining Full Ceiling Boards (DC 2500), fastening each row fully before moving to the next. Ceiling Boards to touch at the centre of the Middle Rafter, tight to each end.
- 2) Fasten to every two Rafters as shown. Six screws per Ceiling Board. Screws at Middle Rafter must enter on an angle.



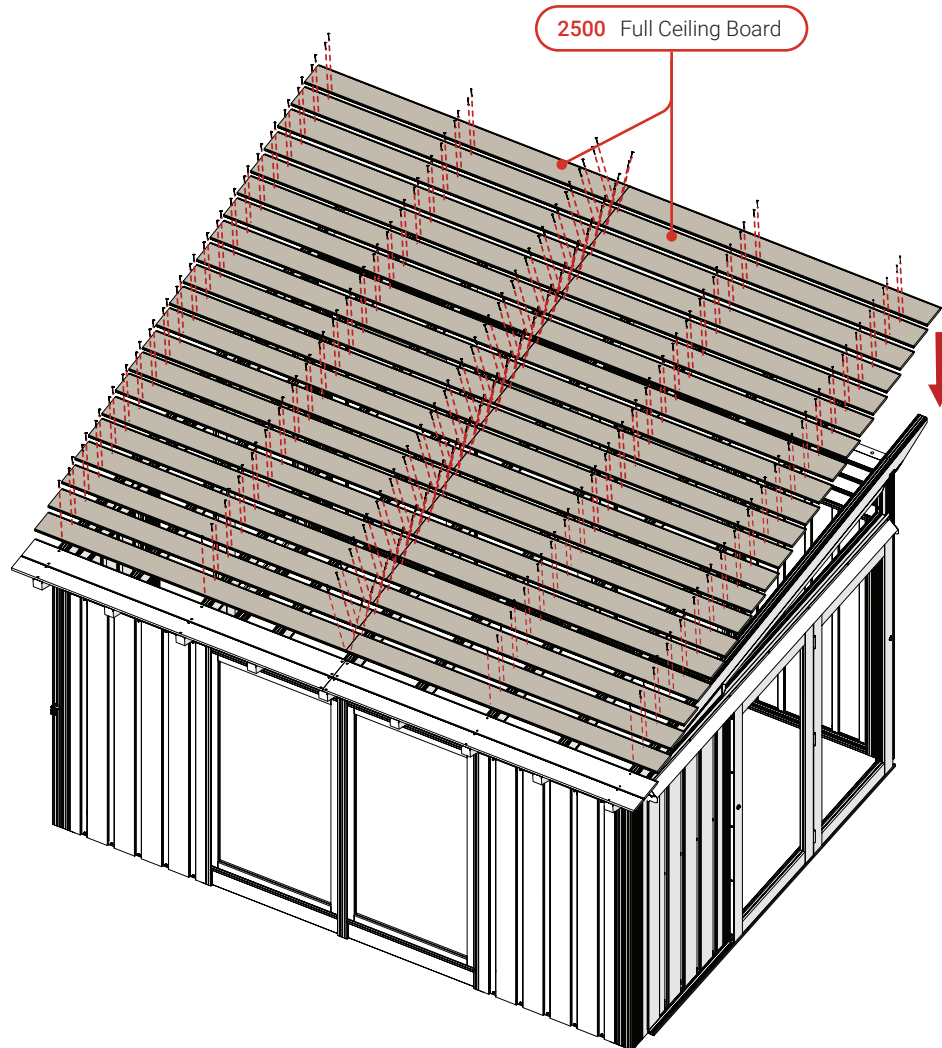
2500 Full Ceiling Board



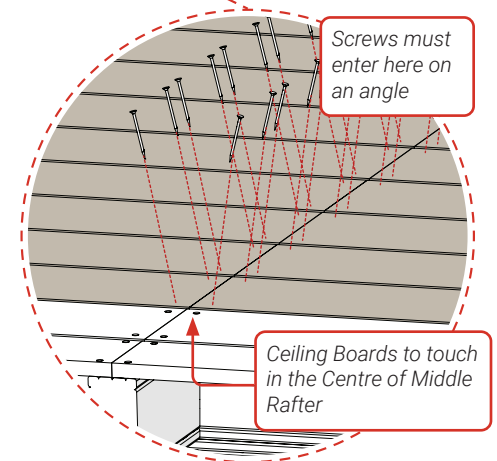
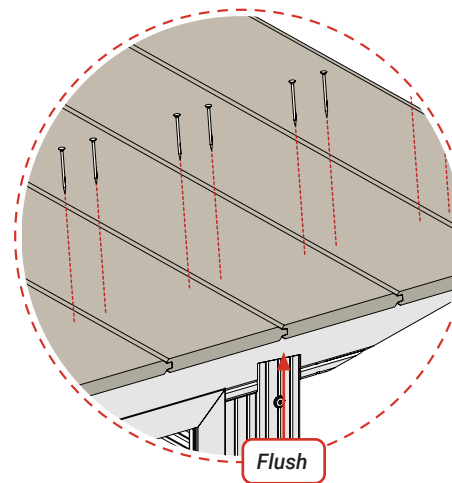
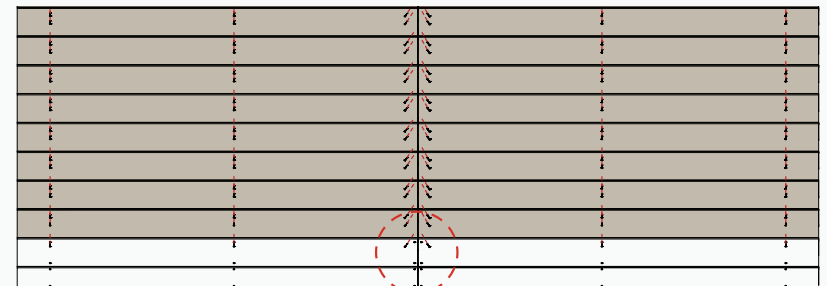
252X



2 1/2" #8 FLAT HEAD (#2 ROBERTSON)

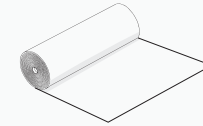


Top view



Step 64

- 1) Roll Tar Paper (DC 4191) flat across Ceiling Boards, tight to the bottom most edge of the ceiling.
- 2) Staple the first row of Tar Paper to the Ceiling Boards using 1/2" staples, spaced a maximum of 12" apart from each other. *Fasten each row of Tar Paper before moving on the next row.*



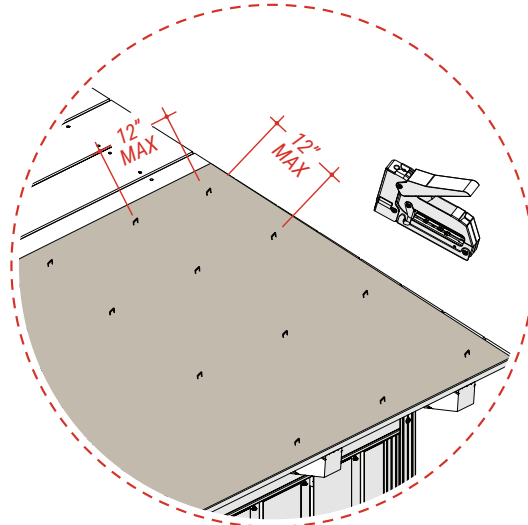
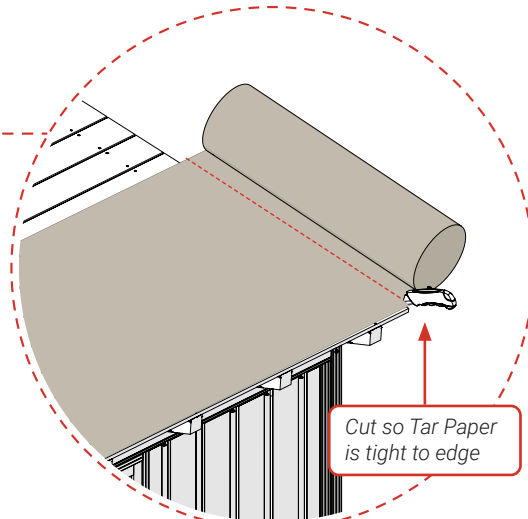
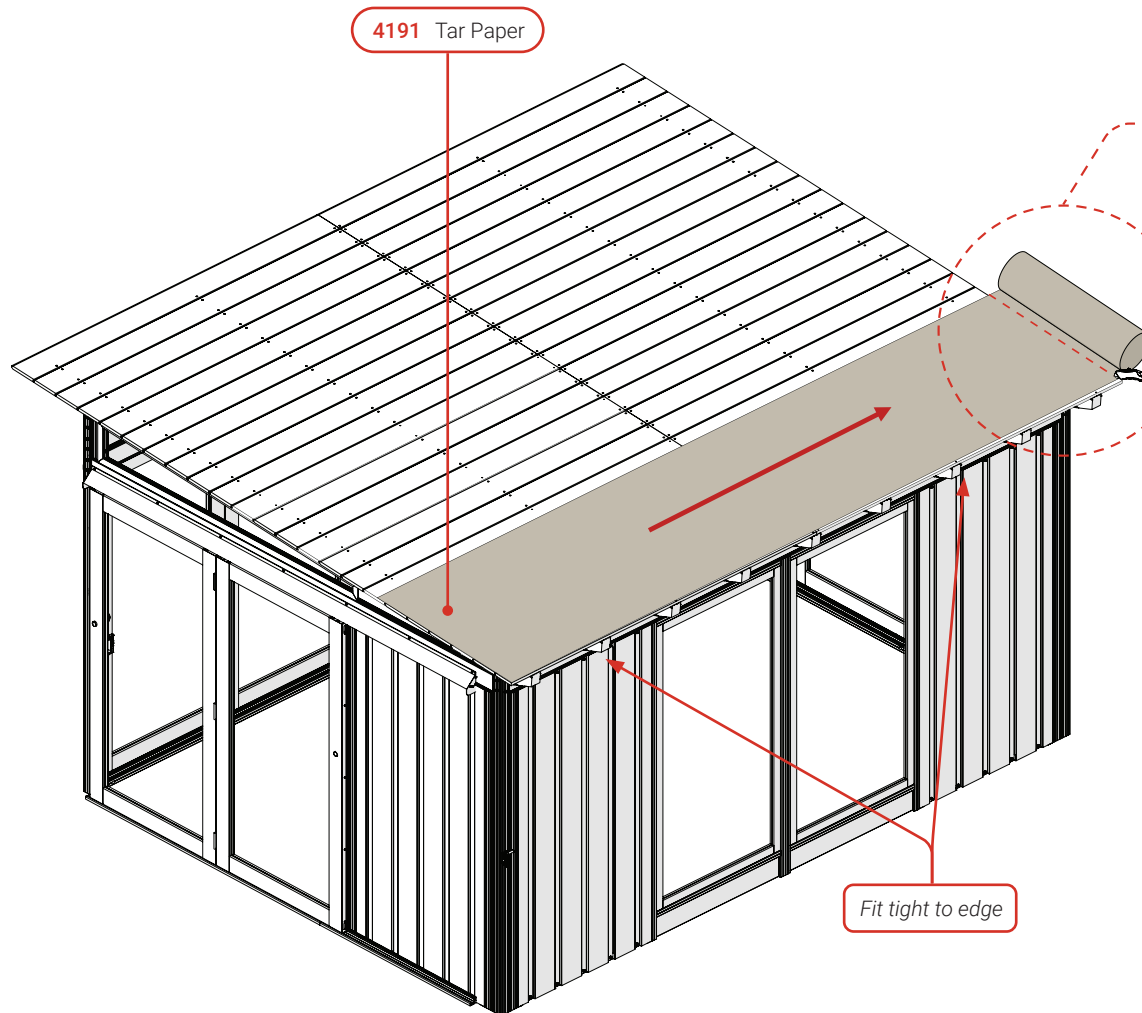
4191 Tar Paper



Knife

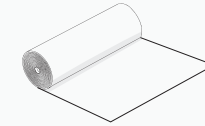


Staple



Step 65

- 1) Roll four more rows of Tar Paper (DC 4191) flat across Ceiling Boards, overlapping each previous row by 6 inches.
- 2) Staple to the Ceiling Board using 1/2" staples, spaced a maximum of 12" apart from each other. *Fasten each row of Tar Paper before moving on the next row. The final row to be tight top edge of the top Ceiling Board.*



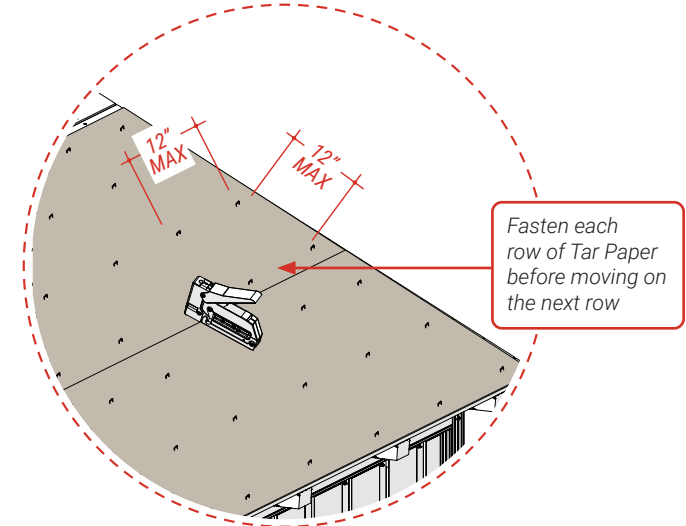
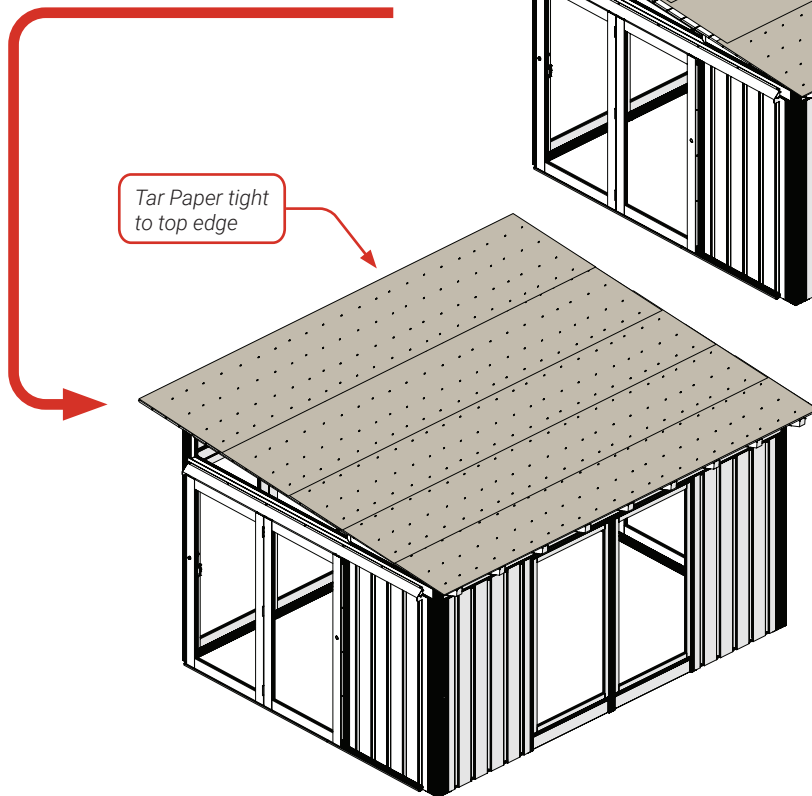
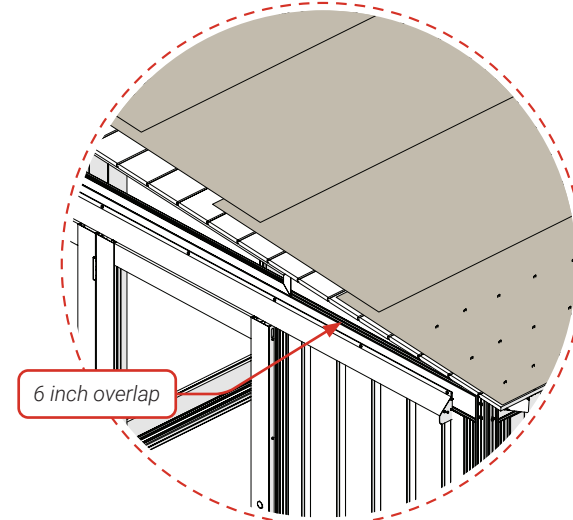
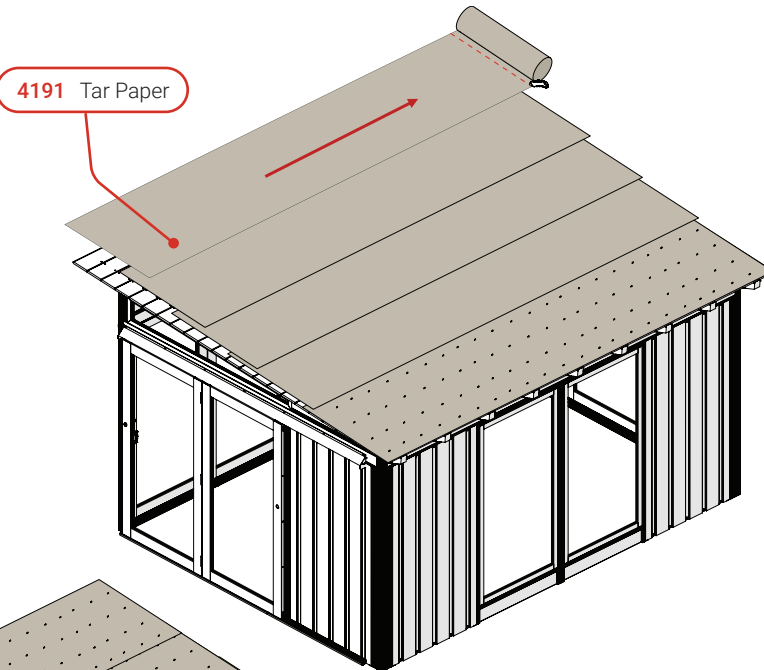
4191 Tar Paper



Knife

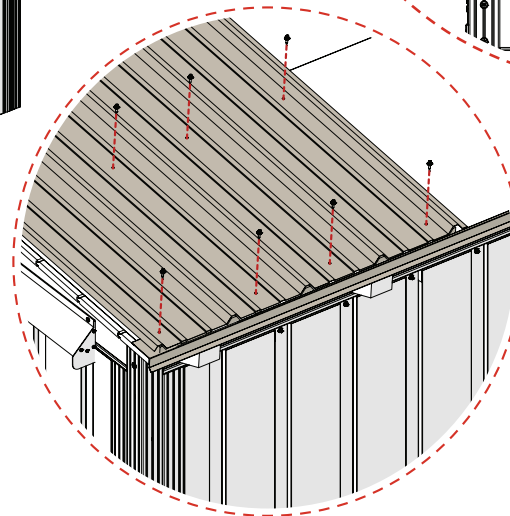
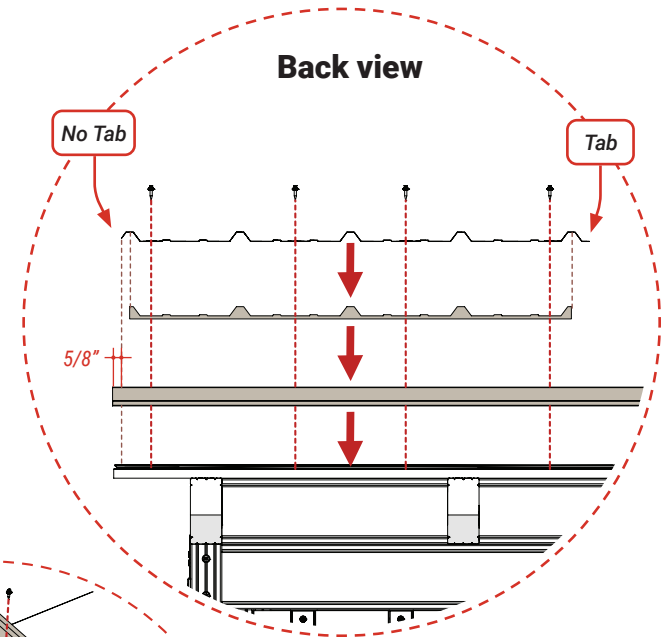
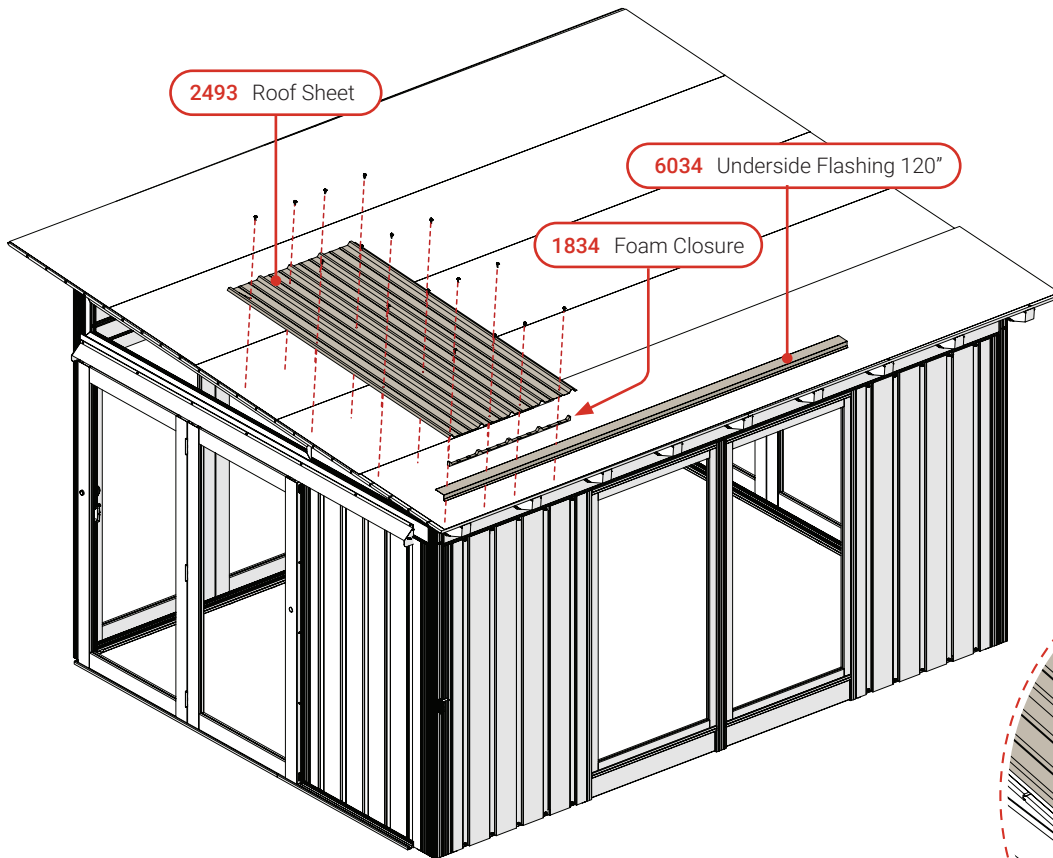
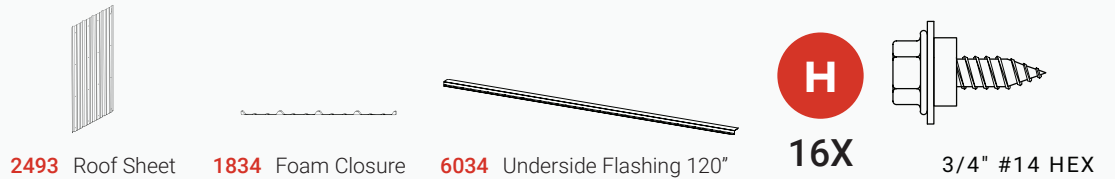


Staple



Step 66

- 1) Fit the Underside Flashing 120" (DC 6034) on the bottom edge of the Roof Assembly, tight to the end of the Ceiling Board.
- 2) Review the orientation of Tabs found on the first Roof Sheet (DC 2493) in the Back View.
- 3) Adhere a Foam Closure (DC 1834) to the bottom underside of a Roof Sheet by exposing the Foam Closure's glue strip.



Step 67

- 1) Continue Laying Foam Closures, Roof Sheets and Underside Flashing 94" (DC 2673) to complete the first row of Roofing.
- 2) Fasten through the pre-punched hole locations, and through the Underside Flashings.



2493 Roof Sheet



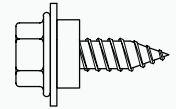
1834 Foam Closure



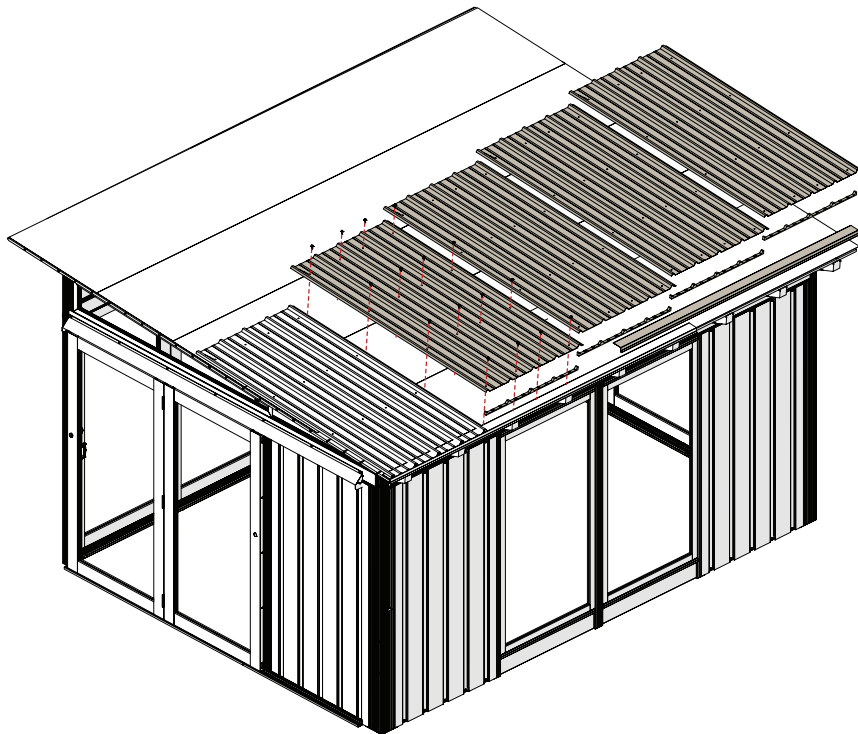
2673 Underside Flashing 94"



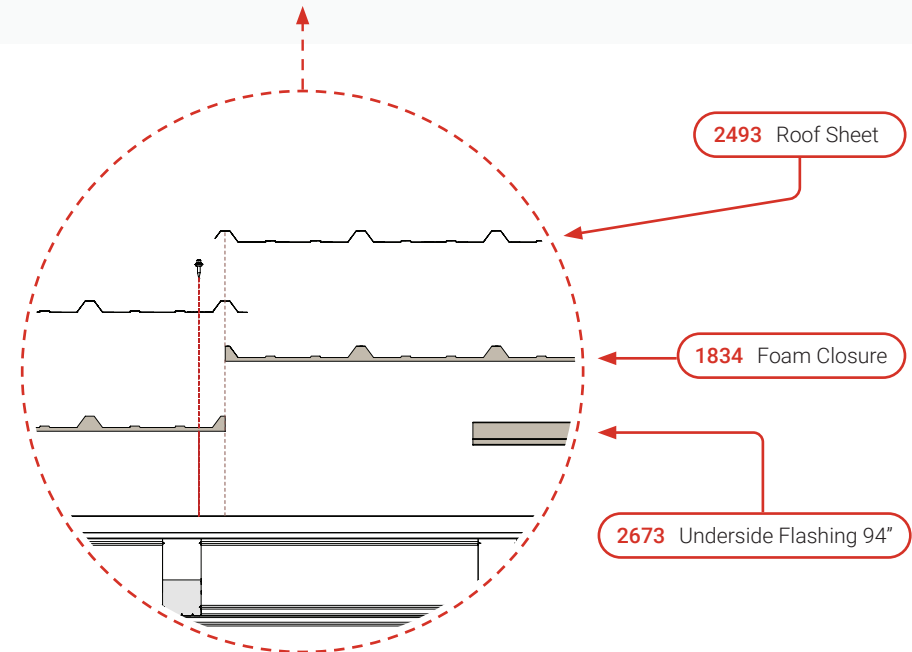
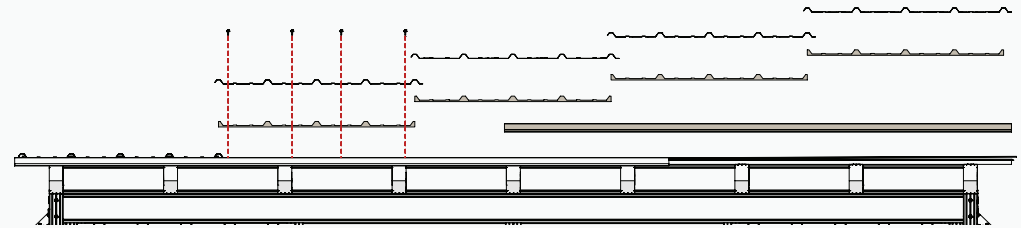
64X



3/4" #14 HEX

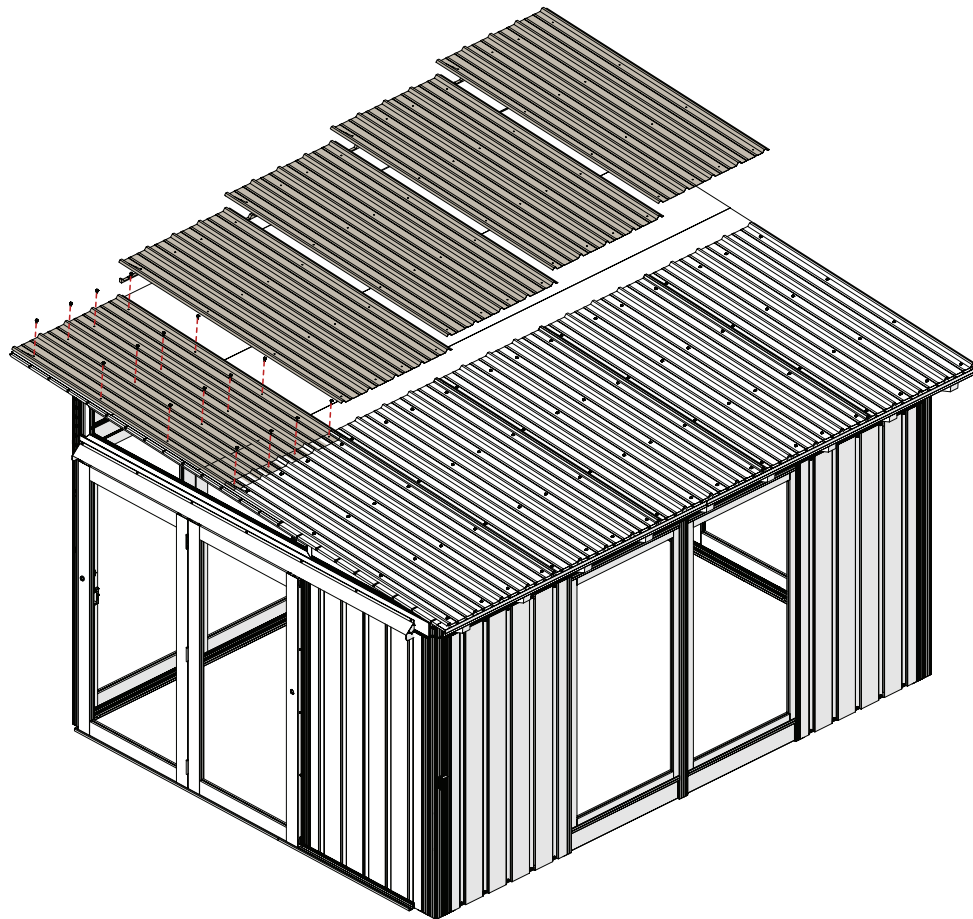


Back view



Step 68

- 1) Align the next row of Roof Sheet and Foam Closures to the edges of the Ceiling Board.
- 2) Fasten through the pre-punched hole locations, and through the underlapped Roof Sheet.
- 3) Continue Laying Foam Closures and Roof Sheets to complete the last row of Roofing.



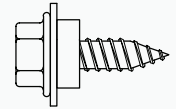
2493 Roof Sheet



1834 Foam Closure

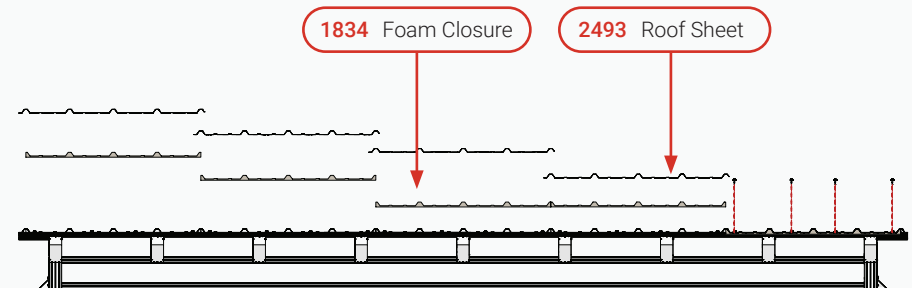


80X

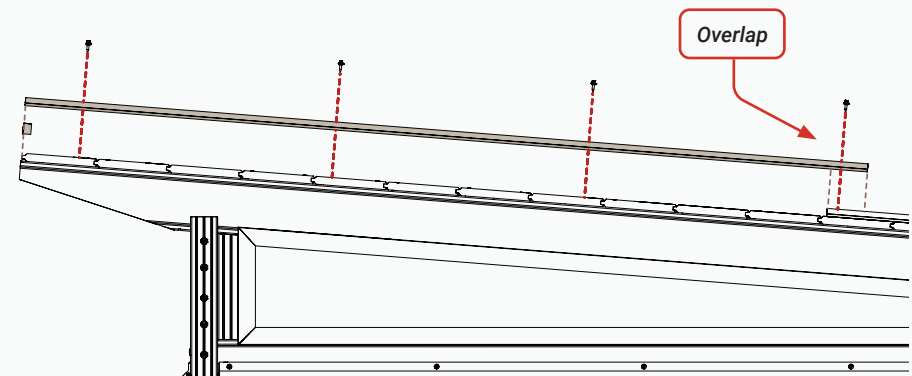


3/4" #14 HEX

Front view

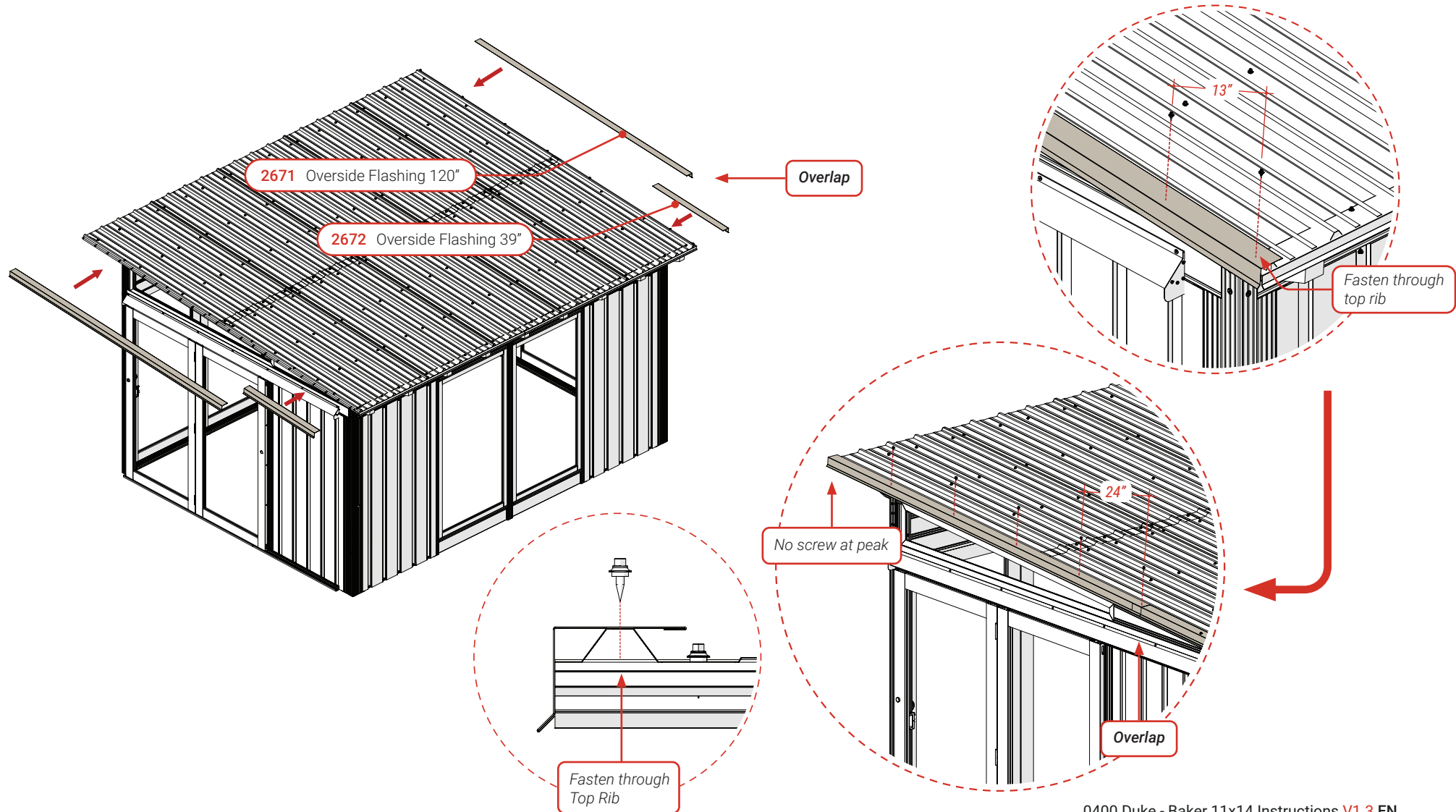


Side view



Step 69

- 1) Fit the Overside Flashing 39" (DC 2672) so it reaches the bottom edge of the bottom Roof Sheet. Fasten with two screws only at locations shown in diagram (13 inches apart).
- 2) Fit the Overside Flashing 120" (DC 2671) over the short portion, and have it reach the top edge of the top Roof Sheet. Fasten with five screws through top rib (24 inches apart). Refrain from adding a screw at the very peak of the Roof at this time.



Step 70

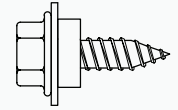
- 1) Fit the Front Edge and Overside Flashing 120" (DC 2707 and DC 2671) so that it overlaps the side Flashings.
- 2) Fasten to the roof metal through every second rib.



2707 Overside Flashing 94"

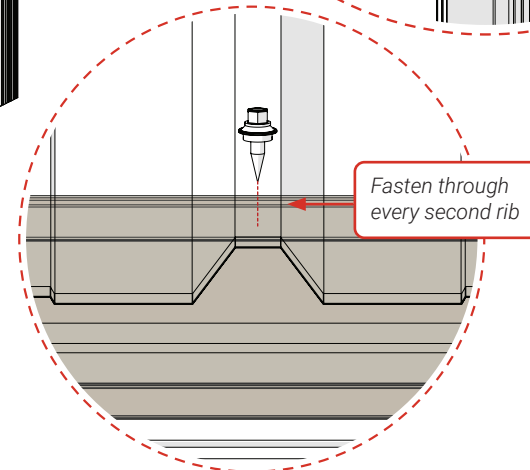
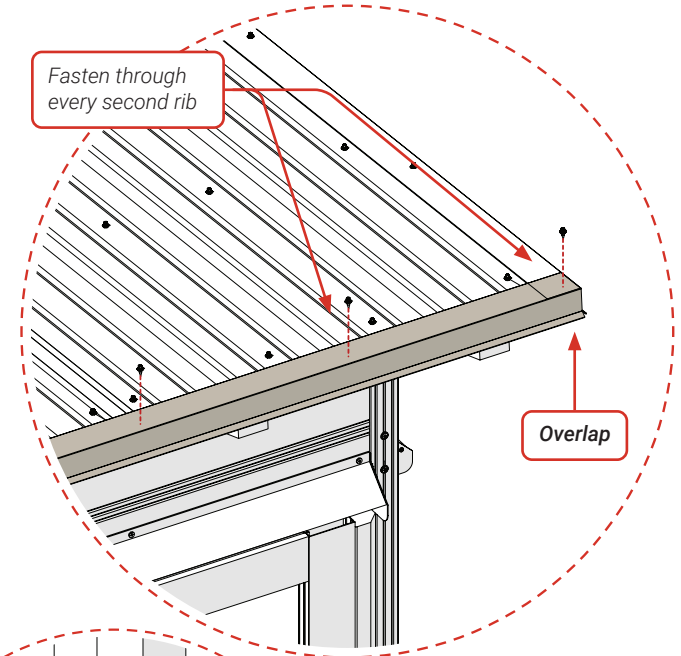
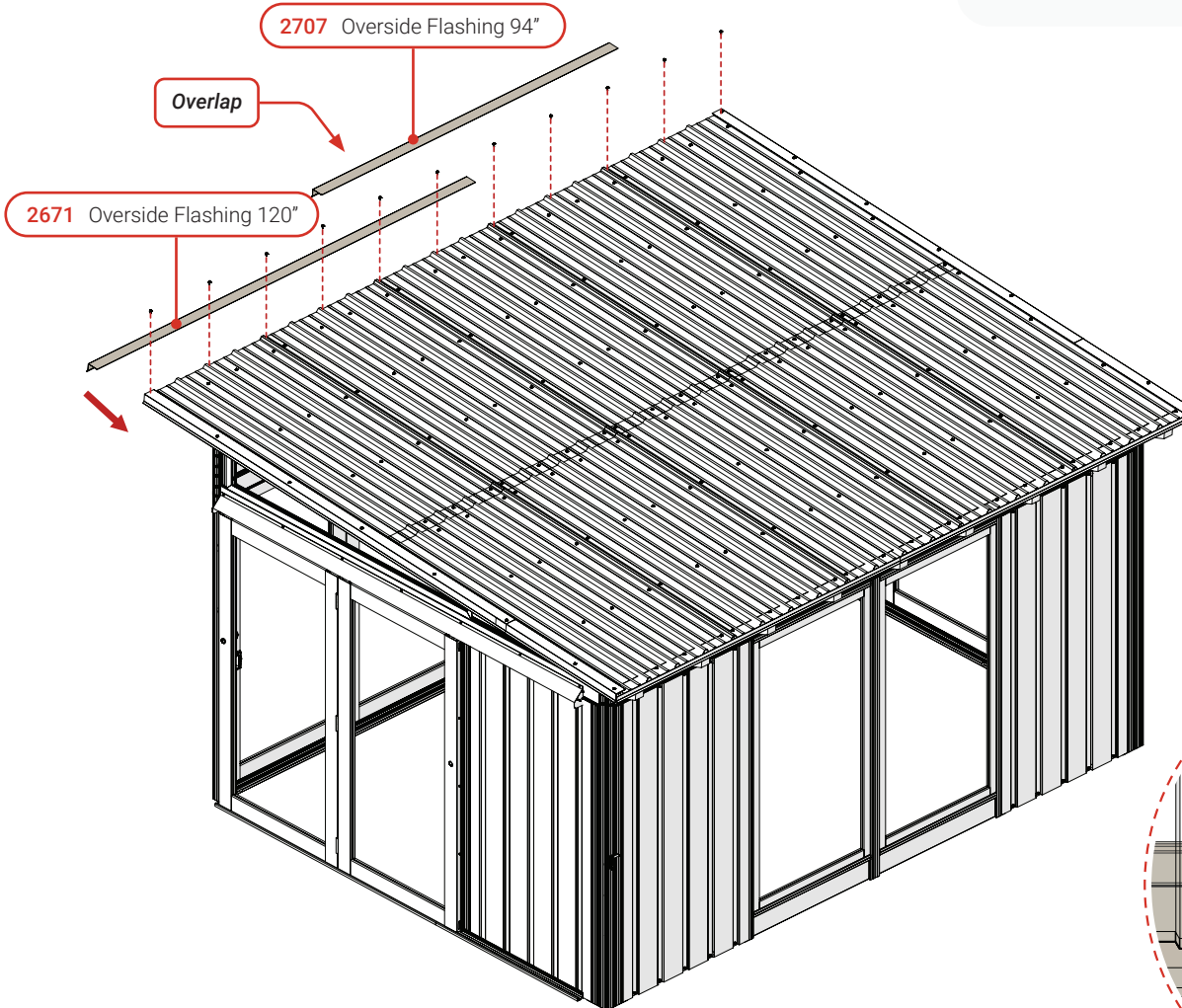


2671 Overside Flashing 120"



11X

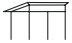

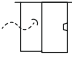
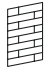
3/4" #14 HEX



INSTALLATION
COMPLETE



You can upgrade your **Visscher gazebo** by adding **optional accessories**.

-  11x11 Veranda
-  40" and 80" extensions
-  Insect Sliding Screen Doors
-  Cedar Panels

If you wish to purchase **optional accessories**, please contact your **local Visscher dealer**.