



**PROFESSIONAL
OUTDOOR LIGHTING**

Type:

Model:

Project:

SPECIFICATION SHEET

MODEL ITT Landscape Series • Ingrade Tri-Tap Transformer

TRANSFORMER SPECIFICATIONS:

HOUSING:

Injection-molded, glass-reinforced Ryton™ R4 composite for strength and high UV stability – warranted for ten years against corrosion. Integrally molded individual waterproof compartments separate transformer chamber from splice compartment.

COVER:

Injection-molded, glass reinforced Ryton™ R4 composite. Cover is equipped with glass viewfinder inspection window, which allows for circuit breaker “on and off” inspections without removing cover. Cover is fitted to the housing with black silicone rubber gasket, providing superior weather-tight seal.

FINISH:

Cover available in 18 standard finishes. Cover gaskets available in black only.

TRANSFORMER CHARACTERISTICS:

Available Power Ratings: 300, and 600 Watts

Primary Voltage: 120 Volts (Also available in 208V, 240V, 277V, 50 or 60 cycle- Special order only.)

Secondary Voltage: 11, 12, and 13 Volts

Fully grounded and isolated with encapsulated core and coil.

PRIMARY PROTECTION:

Auto thermal shut-off.

SECONDARY PROTECTION:

Resetable high performance magnetic circuit breakers.

WIRING:

Splice compartment has two 3/4” NPT conduit entries for through wiring and one 1/2” NPT entry. Potting compound for wiring compartment supplied with unit.

FASTENERS/INSERTS:

All fasteners are stainless steel with brass inserts.

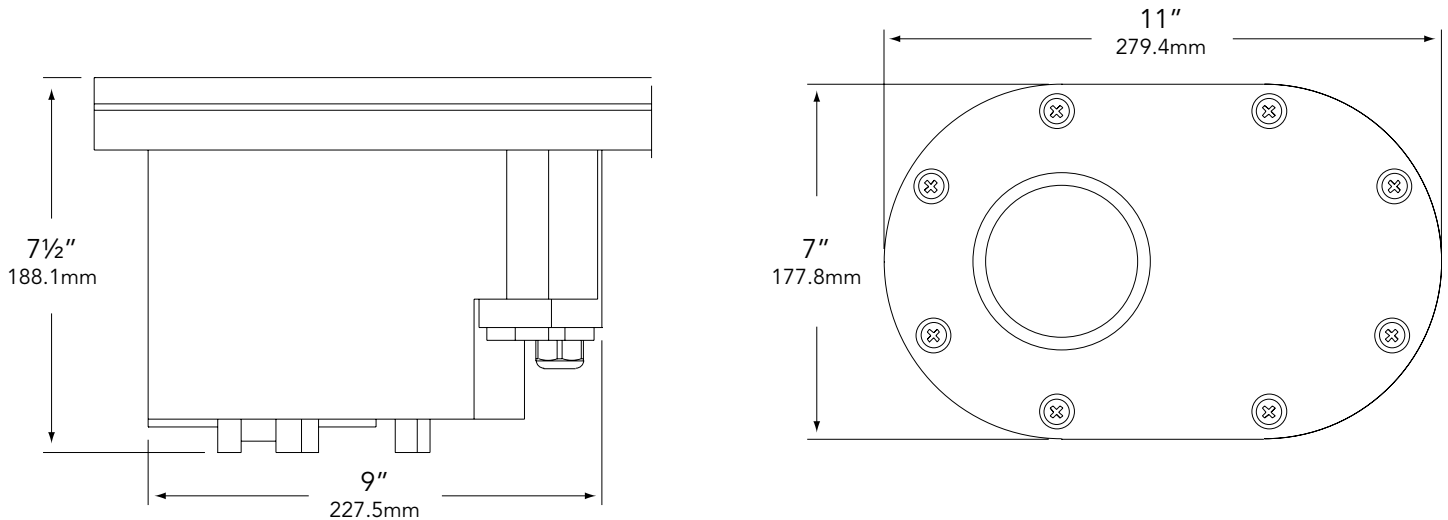
CERTIFICATION:

UL Listed to U.S. and Canadian safety standards for landscape lighting transformers (UL 1838). Pool & Spa Ready - Suitable for Use with Submersible Luminaires or Submersible Pumps.

All Vista transformers are **MADE IN THE U.S.A.**



DIMENSIONS:



Vista Professional Outdoor Lighting reserves the right to modify the design and/or construction of the fixture shown without further notification.



SPECIFICATION SHEET

MODEL ITT Landscape Series • Ingrade Tri-Tap Transformer

TRANSFORMER ORDERING INFORMATION

TO ORDER TRANSFORMER: Select appropriate choice from each column as in the following example.

EXAMPLE: ITT-600-B

TRANSFORMER SERIES	TRANSFORMER MODEL	FINISH
ITT- Ingrade Tri-Tap	300- 300 VA 600- 600 VA (300W x 2)	Standard
		B - Black DZ - Dark Bronze GT - Granite W - White
		Premium
		BR - Architectural Brick LZ - Light Bronze SB - Special Bronze GG - Glossy Gray R - Rust HG - Hunter Green WB - Weathered Bronze WI - Weathered Iron GM - Graphite Metallic
		Hand Finished
G - Verde P - Pewter M - Mocha OF - Olde Finish		

Note: When a finish is not specified, ITT transformers will be shipped black.