



**PROFESSIONAL  
OUTDOOR LIGHTING**

Type:

Model:

Project:

# SPECIFICATION SHEET

## MODEL 4206 Landscape Series • Path & Spread Lights

### FIXTURE SPECIFICATIONS:

**HOUSING:**

Die-cast, copper-free aluminum.

**STEM:**

¼" schedule-40 aluminum pipe with ½" NPT custom bushing designed with a stress-dispersing collar, to provide strength & stability for mounting.

**FINISH:**

Polyester powder-coat finish available in Black, Verde, Architectural Brick, Architectural Bronze, Light Bronze, Dark Bronze, Granite, Pewter, Terracotta, Rust, Hunter Green, Mocha, Weathered Bronze, Weathered Iron, and White.

**SOCKET/LAMP HOLDER:**

Top grade ceramic socket with nickel contacts, stainless steel springs, & Teflon-jacketed wire leads.

**LENS:**

Clear, high-impact, polycarbonate lens.

**LAMP TYPE:**

T3 – 20W maximum. LN-10 T3 Halogen (10W) Standard.

**MOUNTING:**

Bottom of stem threaded with ½" NPT. Fixture may be mounted into threaded hubs in junction boxes, ground stakes, or floor-mounting canopies. Please see fixture ordering information for mounting selection.

**FASTENERS/INSERTS:**

All fasteners are stainless steel with brass inserts.

**WIRING:**

Prewired with a three-foot pigtail of 18-2 direct-burial cable & underground connectors for a secure connection to supply cable.

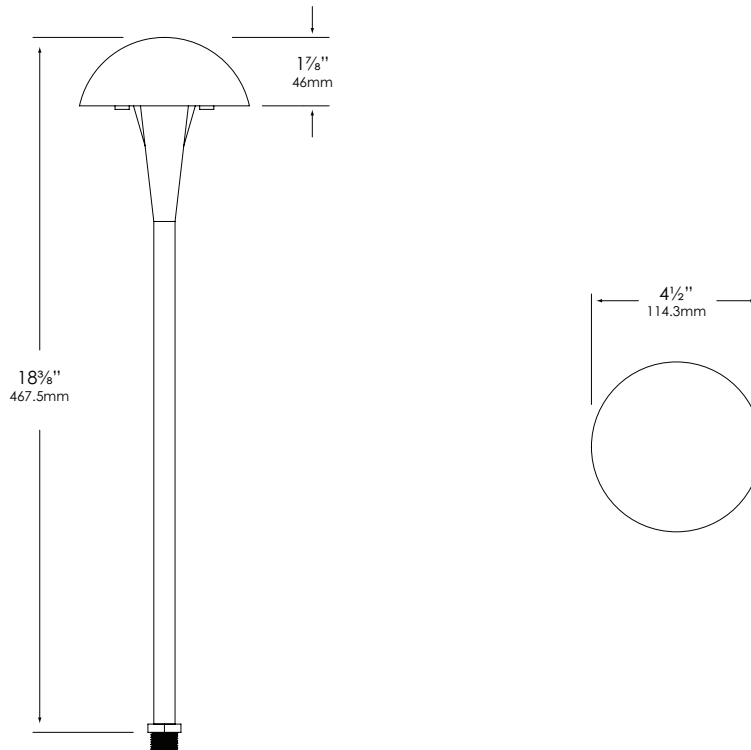
**CERTIFICATION:**

UL Listed to U.S. & Canadian safety standards for low voltage landscape luminaires (UL 1838). Maximum wattages allowed by Underwriters Laboratories (UL) for U.S. & Canadian markets may vary. Maximum wattages specified are Underwriters Laboratories U.S. standard. Please contact Vista for any questions about maximum wattages allowed by UL Canadian standards.

All Vista luminaires are [MADE IN U.S.A.](#)

This fixture is also available as a LED luminaire. Please refer to LED Specification Sheet - 4206-LED.

### DIMENSIONS:



Vista Professional Outdoor Lighting reserves the right to modify the design and/or construction of the fixture shown without further notification.



# SPECIFICATION SHEET

## MODEL 4206 Landscape Series • Path & Spread Lights

### FIXTURE ORDERING INFORMATION

TO ORDER FIXTURE: Select appropriate choice from each column as in the following example.

**EXAMPLE: PR-4206-B-10T3**

MOUNTING	MODEL	FINISH	LAMP
PR - ABS ground stake	4206	B - Black G - Verde BR - Architectural Brick Z - Architectural Bronze LZ - Light Bronze DZ - Dark Bronze GT - Granite P - Pewter TC - Terracotta R - Rust HG - Hunter Green M - Mocha WB - Weathered Bronze WI - Weathered Iron W - White	10T3 - 10W  T3 Halogen 20W Maximum LN-10 T3 Halogen (10W) Standard  <i>(Please see lamp order code column on lamp guide, Vista product catalog.)</i>

Fixtures shipped with standard lamp, unless otherwise specified.  
 Fixtures shipped with specified mounting hardware.  
 Note: Optional custom length stems available. Consult local distributor.