

# INSTALLATION INSTRUCTION CYLINDER WALL MOUNT 12V

3611

WAC LIGHTING  
Responsible Lighting®

## WARNING

IMPORTANT: NEVER attempt to do any work without shutting off the electricity.

1. Read all instructions before installing.
2. System is intended for installation by a qualified electrician in accordance with the National Electrical Code and local regulations.
3. Place the wall switch in the "OFF" position.
4. Go to the main fuse box, or circuit breaker. Unscrew the fuse(s) or switch "OFF" the circuit breaker switch(es) that control the power to the space that you are working on.

## CAUTION

- All parts must be used as indicated in these instructions. Do not substitute any parts, leave parts out, or use any parts that are worn out or broken. Failure to follow this instruction may invalidate the UL listing of this fixture.

## AVERTISSEMENT

IMPORTANT : Coupez l'électricité avant TOUTE manipulation.

- Lisez toutes les instructions avant d'installer.
- Système est destiné à être installé par un électricien qualifié en conformité avec le code national de l'électricité et les règlements locaux.
- Placez l'interrupteur mural en position d'arrêt (« OFF »).
- Toujours mettre le fusible ou le disjoncteur en position arrêt dans la pièce ou des travaux électriques sont prévus

## MISE EN GARDE

- Toutes les pièces doivent être utilisées tel qu'il est indiqué dans ces instructions. Ne remplacez pas les pièces, n'en laissez pas de côté et ne les utilisez pas si elles sont usées ou brisées. Le non-respect de ces instructions peut annuler l'homologation UL du luminaire.

## ADVERTENCIA

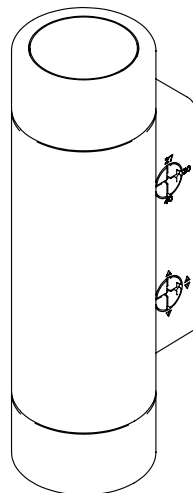
IMPORTANTE: NUNCA intente hacer trabajos sin desconectar el suministro eléctrico.

- Lea y comprenda todas las instrucciones e ilustraciones por completo antes de proceder con el ensamblaje e instalación de esta lámpara.
- Sistema está diseñado para ser instalado por un electricista calificado, de acuerdo con el código eléctrico nacional y las normas locales.
- Coloque el interruptor de la pared en la posición "OFF" (APAGADO).
- Diríjase a la caja de fusibles o a la caja del interruptor de circuito principal en su hogar. Coloque el interruptor de alimentación principal en la posición "OFF" (APAGADO).

## PRECAUCIÓN

- Todas las piezas deben usarse como lo indican estas instrucciones. No reemplace las piezas, no omita piezas durante la instalación ni utilice piezas gastadas o rotas. El incumplimiento de esta indicación podría invalidar la calificación UL esta lámpara.

This instruction apply to the model(s) below:



3611

waclighting.com  
Phone (800) 526.2588  
Fax (800) 526.2585

Headquarters/Eastern Distribution Center  
44 Harbor Park Drive  
Port Washington, NY 11050

Central Distribution Center  
1600 Distribution Ct  
Lithia Springs, GA 30122

Western Distribution Center  
1750 Archibald Avenue  
Ontario, CA 91760

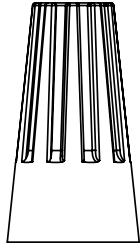


# INSTALLATION INSTRUCTION CYLINDER WALL MOUNT 12V

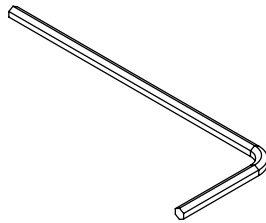
3611

# WAC LIGHTING

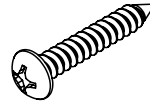
Responsible Lighting®



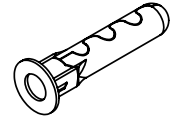
**Outdoor Rated Wire Nut**  
Qty: 2pcs



**Hex Key**  
Qty: 1pc



**Mounting Screw**  
Qty: 2pc



**Mounting Screw Insert**  
Qty: 2pc

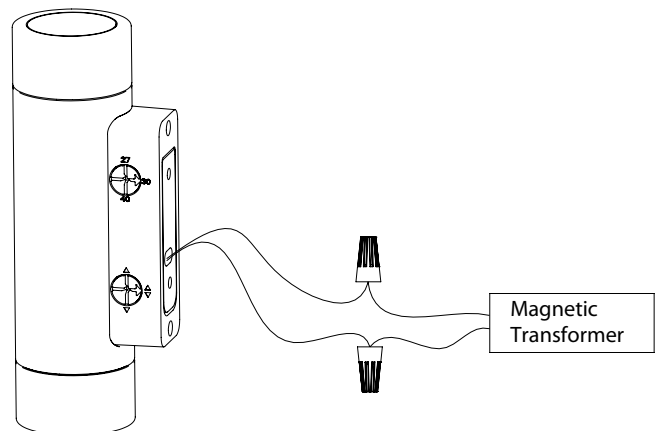
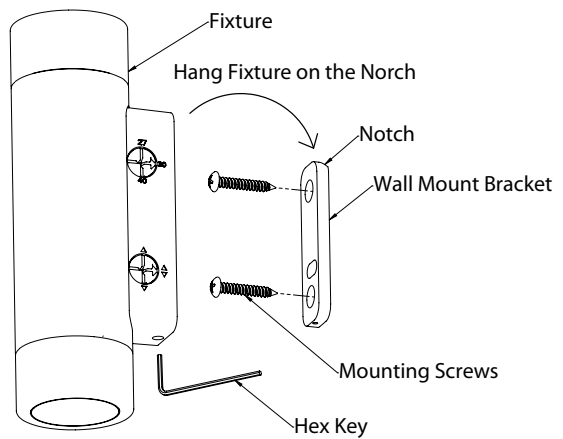
## **Step 1: Determining the location**

1. Make sure your main power is off.
2. At the point of installation, mount the wall mount bracket by using the two mounting screws.
3. Hang the fixture onto the wall mount bracket by using the notch.
4. Use the hex key to tighten the set screw inside the fixture to secure the fixture on the wall mount bracket.

## **Step 2: Wiring the Fixture**

**\*Note:** Transformer is required to power the fixture.  
(Sold Separately)

5. Cut the power supply wire from the transformer at the location of the fixture.
6. Separate the power supply wire into two individual wires by lightly pulling on each side so that a couple inches are separated.
7. Strip off ½ inch of the insulating material from each wire and connect one to each of the wires from the fixture using the outdoor rated direct burial wire nuts provided.



### **Note:**

To install multiple fixtures, also connect the power supply wire of each additional fixture to the connection

waclighting.com  
Phone (800) 526.2588  
Fax (800) 526.2585

**Headquarters/Eastern Distribution Center**  
44 Harbor Park Drive  
Port Washington, NY 11050

**Central Distribution Center**  
1600 Distribution Ct  
Lithia Springs, GA 30122

**Western Distribution Center**  
1750 Archibald Avenue  
Ontario, CA 91760



# INSTALLATION INSTRUCTION CYLINDER WALL MOUNT 12V

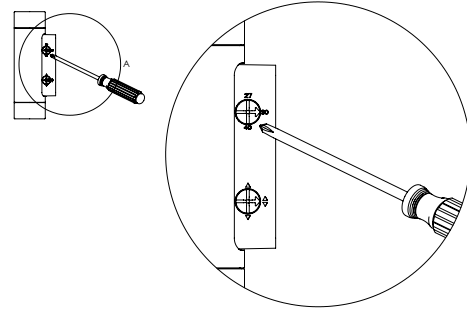
3611

# WAC LIGHTING

Responsible Lighting®

### Step 3: Color Temperature Adjustment:

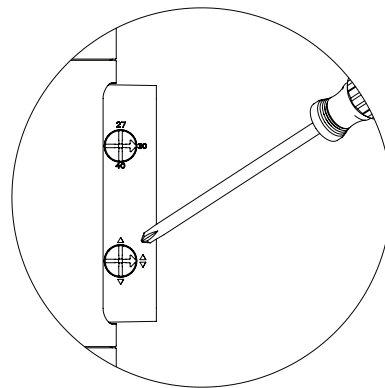
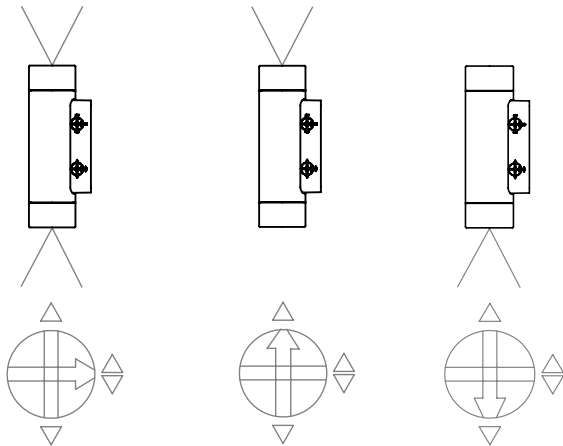
1. Use a Philips head screw driver to rotate the CCT switching knob to set the desire color temperature



Select Warm White, Pure White, or Cool White  
(2700K, 3000K, or 4000K)

### Step 4: Light Adjustment:

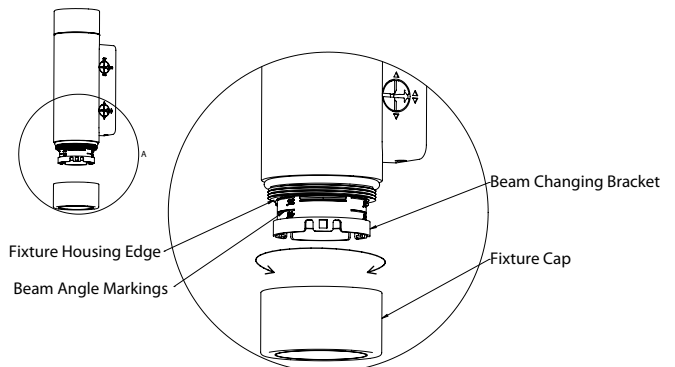
1. Use a Philips head screw driver to rotate the light switching knob to set the desire light output



Select Up Light, Down Light, or Both

### Step 5: Beam Angle Adjustment:

1. Note the three pre-determined beam angles on the beam angle changing dial. (Beam Angle Markings)
2. Take off the fixture cap (by rotating it)
3. Hold the fixture body and rotate beam changing bracket until the beam angle marking meets the fixture housing edge. This beam angle may be one of the pre-determined markings or any number in between.
4. Put the fixture cap back and tighten it firmly.



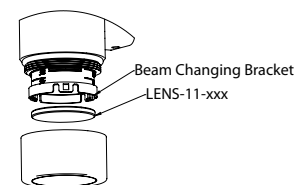
Continuously Adjustable Beam Angles  
Indexed at 35°, 45°, 55°

### ACCESSORIES

#### I. Color Lens:

Colored lens come in red, blue, green and amber to filter the light coming out of the fixture.

**Installation:** Take off the fixture cap, clip the colored lens into the beam changing bracket and install fixture cap back.



waclighting.com  
Phone (800) 526.2588  
Fax (800) 526.2585

Headquarters/Eastern Distribution Center  
44 Harbor Park Drive  
Port Washington, NY 11050

Central Distribution Center  
1600 Distribution Ct  
Lithia Springs, GA 30122

Western Distribution Center  
1750 Archibald Avenue  
Ontario, CA 91760

