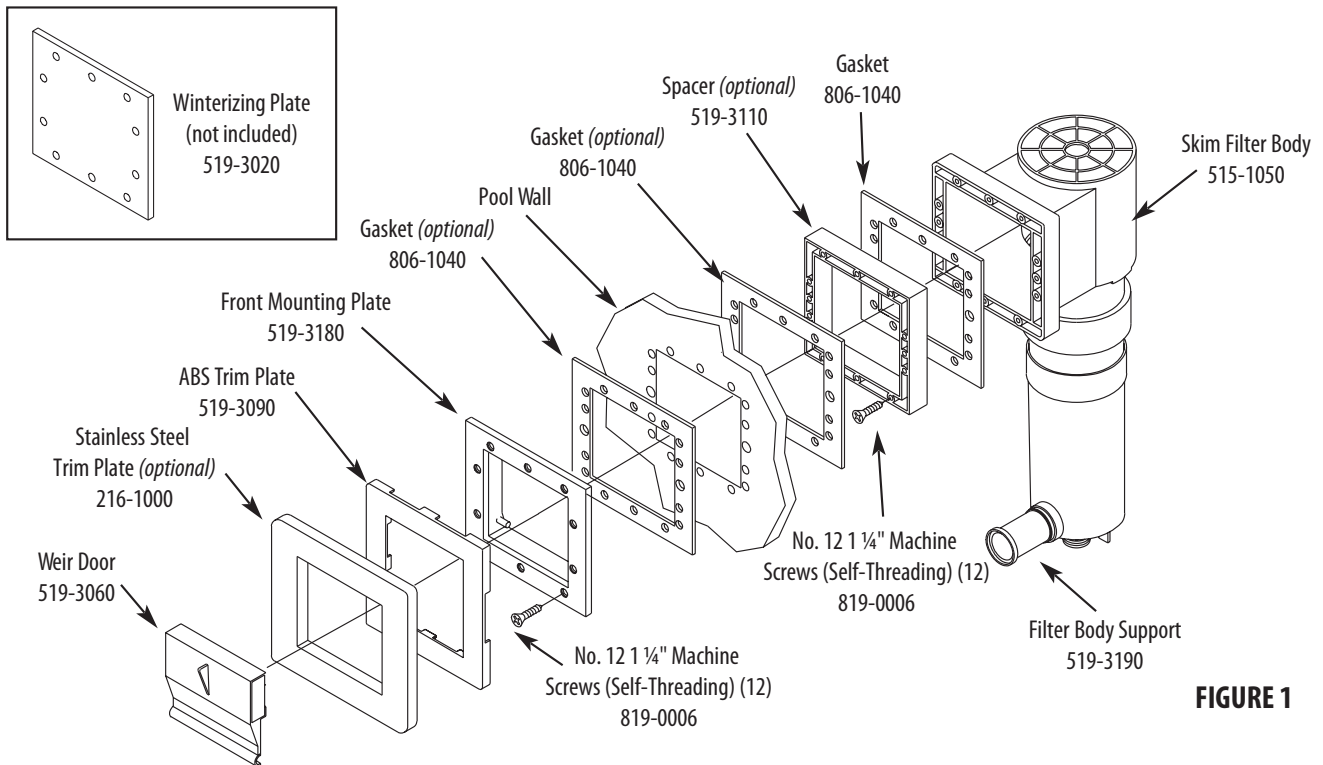


# FRONT ACCESS SKIM FILTER & SKIMMER INSTALLATION INSTRUCTIONS



**FIGURE 1**

**NOTE: Model Shown here is a Skim Filter. Installation instructions are identical for any size of Skim Filter or Skimmer. To insure the correct installation, please take the time to read the instructions.**

1. Find a flat surface, at least 8" x 8", along the pool wall where at least 4" of the Skim Filter/Skimmer Lid is not in an accessible area.
2. Using a jig saw, cut a hole through the wall 6" wide x 5 1/2" high so that the back of the Front Mounting Plate will fit through the wall.
3. Using the Front Mounting Plate as a template, indicate the 10 holes using a marker, then drill holes using a 1/4" drill bit (make sure the drill is held perpendicular to the wall).
4. Apply silicone to all mounting surfaces and gaskets, if desired.
5. After installing vinyl, hold Skim Filter/Skimmer in place and insert (2) screws through pool wall into center right and left sides. Then place the Front Mounting Plate on the wall.
6. Screw the remaining (10) self-threading No. 12 machine screws through the front plate, if desired. Make sure not to over tighten.

7. Clean off excess silicone if used.
8. Use either an ABS Trim Plate or a Stainless Steel Trim Plate, if desired. ABS Trim Plates snap over the mounting plate; Stainless Steel Trim Plates have a self-adhesive backing.

## WINTERIZING

1. Drain the pool approximately 2" below the Skim Filter/Skimmer opening. Remove and store the Basket and Weir indoors.
2. Disconnect all hoses from the Skim Filter/Skimmer to ensure that all water is kept free from the Skim Filter/Skimmer bodies. This helps prevent formation of ice inside, which will crack the Skim Filter/Skimmer Bodies. Warranty does not include ice formation damage.
3. The Winterizing Plate (not included) screws securely in place, using the same (10) No. 12 self-threading machine screws provided with the assembly.

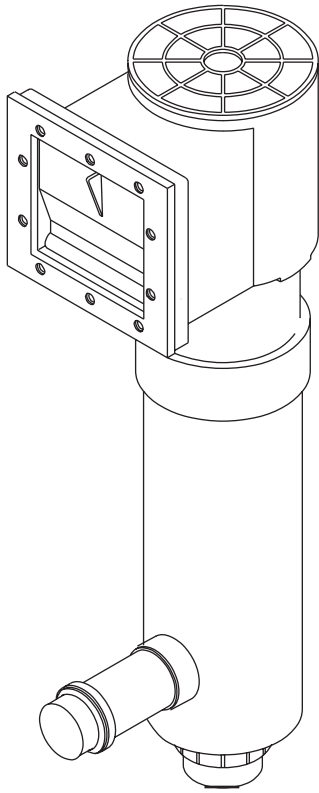


# Waterway™

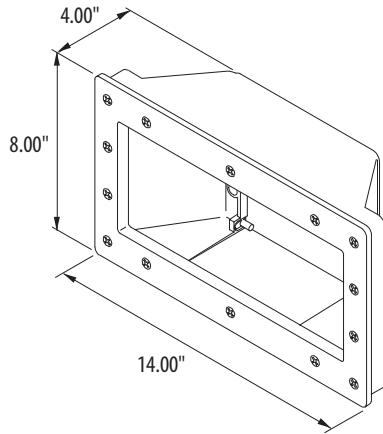
2200 East Sturgis Road, Oxnard, CA 93030 • Ph. (805) 981-0262 • Fax (805) 981-9403

www.waterwayplastics.com • waterway@waterwayplastics.com

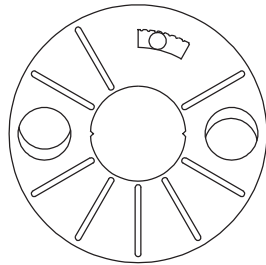
# FRONT ACCESS SKIM FILTER & SKIMMER REPLACEMENT PARTS



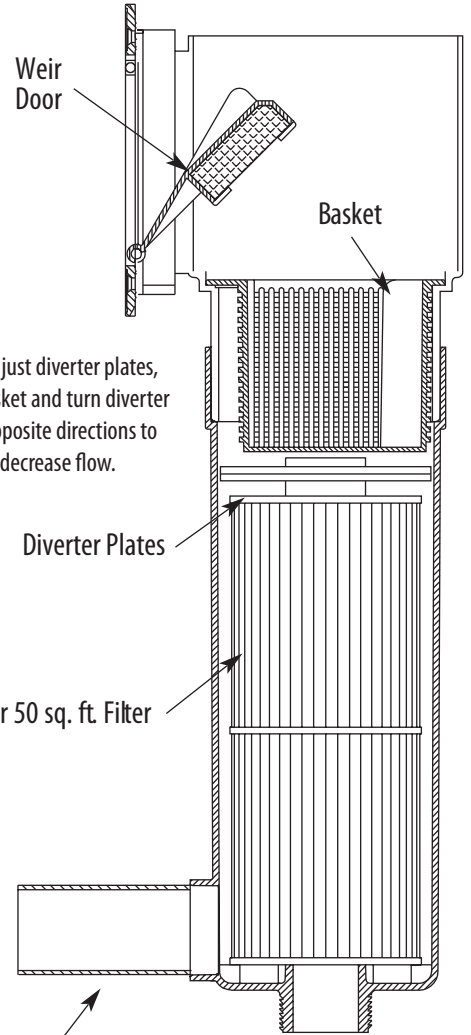
**SKIM FILTER**  
510-2010 - 25 sq. ft.  
510-2030 - 50 sq. ft.



**WIDE MOUTH KIT**  
550-4100

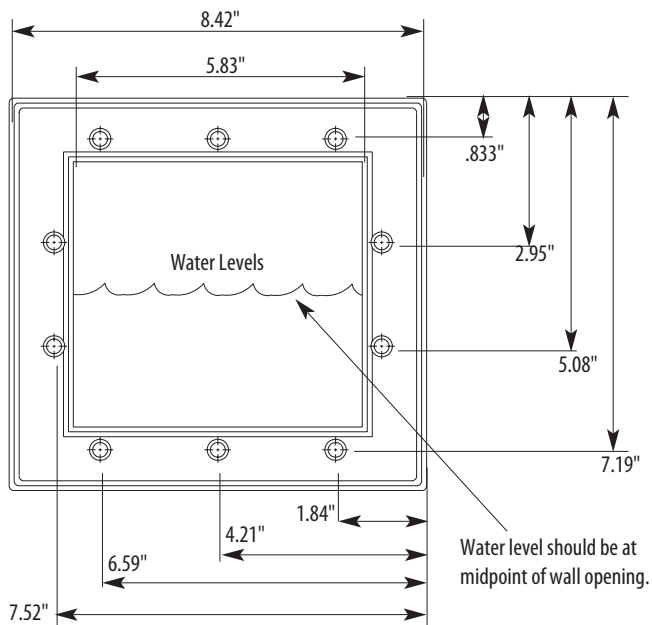


**DIVERTER ADJUSTMENT PLATES**

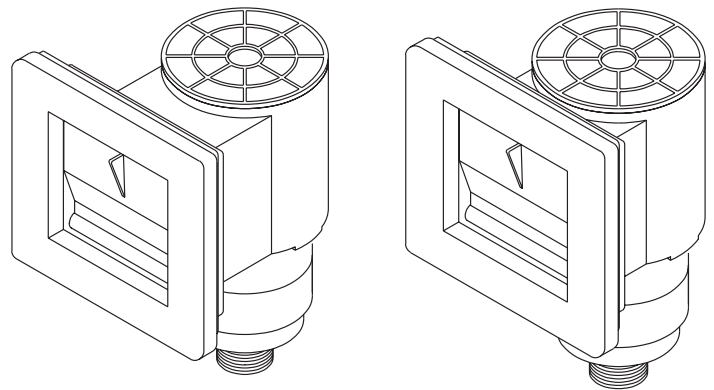


NOTE: To adjust diverter plates, remove basket and turn diverter plates in opposite directions to increase or decrease flow.

**FIGURE 2**  
SKIM FILTER SIDE VIEW



**FIGURE 3**  
HOLE PATTERN DIMENSIONS



**SKIMMERS**  
510-1020S - Short Throat      510-2070S - Long Throat